



## **Ice Machine Parts List for Series i850 Models**

**iR0850A**

**iY0854A**

**iR0851W**

**iY0855W**

**iR0890N**

**iY0894N**

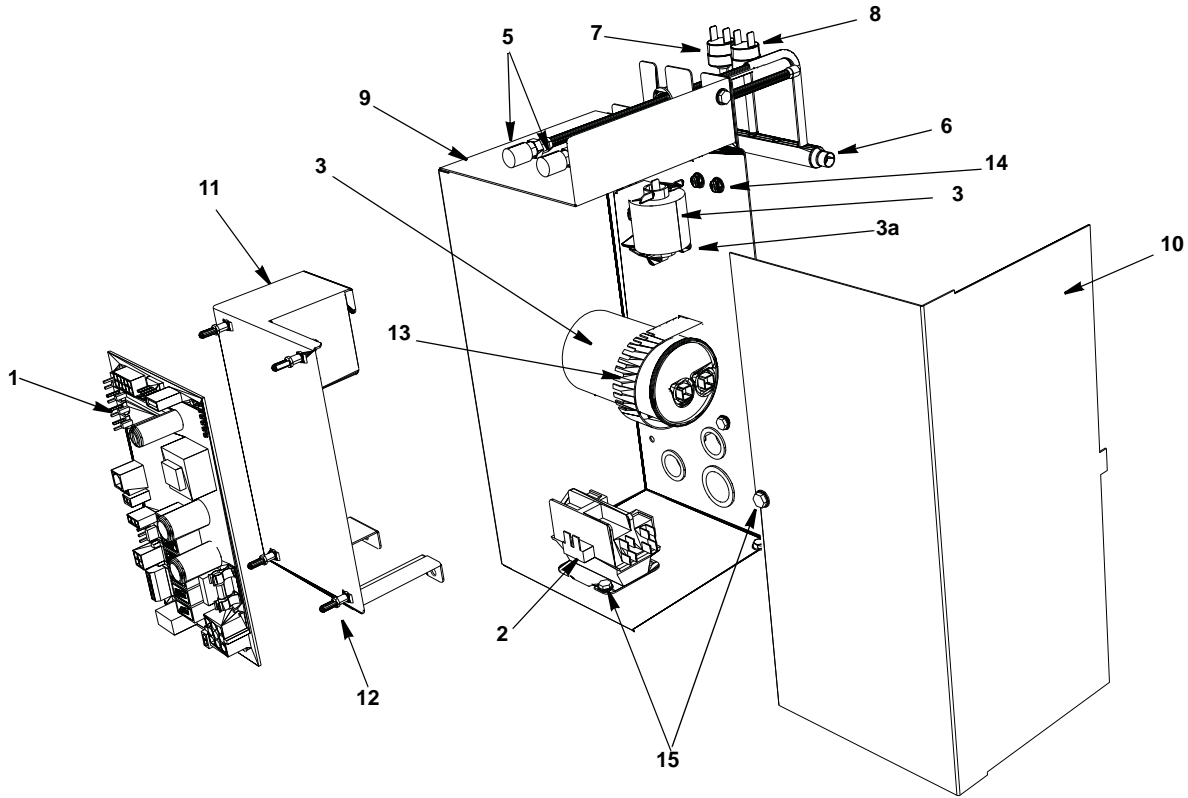
**JC0895**

**iD0852A**

**iD0853W**

**iD0892N**

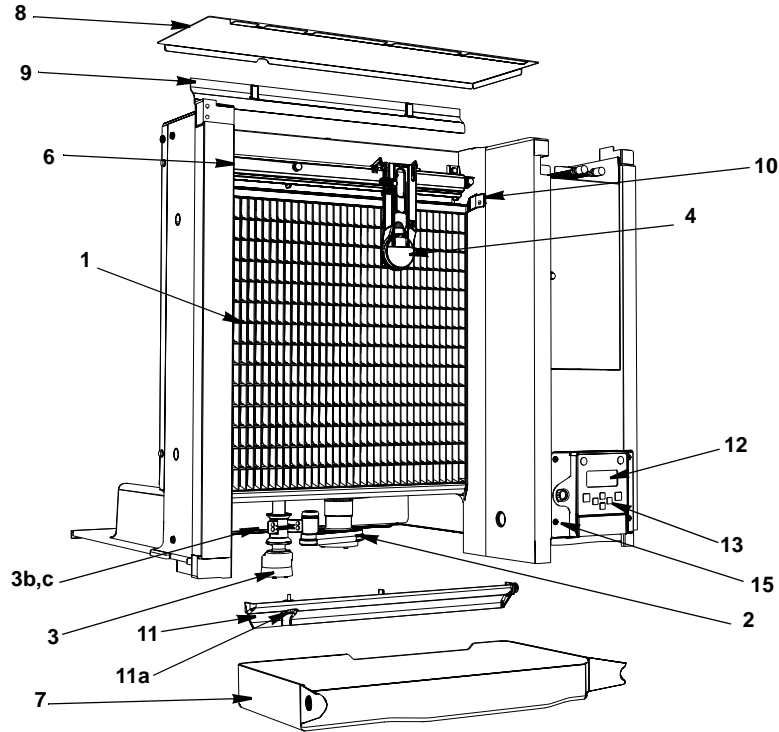
# i850 CONTROL BOX



## DESCRIPTION

	DESCRIPTION	PART NO.
1	Control Board (for use with all voltages) . . . . .	00008309
a.	8 amp Ceramic Fuse – Mounted on Control Board . . . . .	00009181
2	<b>Contactor</b>	
a.	208-230V/60 Hz/1ph or 230V/50 Hz/1ph . . . . .	2006599
b.	230V/60 Hz/3ph . . . . .	2006619
3	<b>PTCR Compressor Starter</b> . . . . .	8504993
a.	Bracket . . . . .	8505013
4	<b>Compressor Run Capacitor</b>	
a.	208-230V/50-60 Hz/1ph . . . . .	8503933
5	Refrigeration Service Valve Assembly . . . . .	8373263
6	Manifold Strainer . . . . .	8251049
a.	Bracket . . . . .	6058571
7	High Pressure Cut-out (Auto Reset) . . . . .	2001243
8	Fan Cycling Control . . . . .	† 2001263
<b>Miscellaneous – Brackets, Screws, etc.</b>		
9	Control Box . . . . .	00008279
10	Control Box Cover . . . . .	000010421
11	Control Board Mounting Bracket . . . . .	000007564
12	Control Board Mounting Supports . . . . .	4302253
13	Capacitor Mounting Strap . . . . .	6024953
14	Screws, #10-24 x 0.50 Ground . . . . .	5202169
a.	Star Washer . . . . .	5573209
15	Screw, #10-24 x 0.50 . . . . .	5202069
16	Lockwashers . . . . .	5573209
17	Control Box Bushings	
a.	Large (1) . . . . .	2500019
b.	Small (4) . . . . .	2501409
18	<b>Control Box Wiring Harness (Not shown)</b>	
a.	230/60/1 . . . . .	000007179
b.	230/50/1 . . . . .	000007180
c.	230/60/3 . . . . .	000007181
19	<b>Compressor Compartment Wiring Harness (Not shown)</b>	
a.	Air-cooled . . . . .	000007185
b.	Water-cooled . . . . .	000007177
c.	Remote Air-cooled . . . . .	000007184

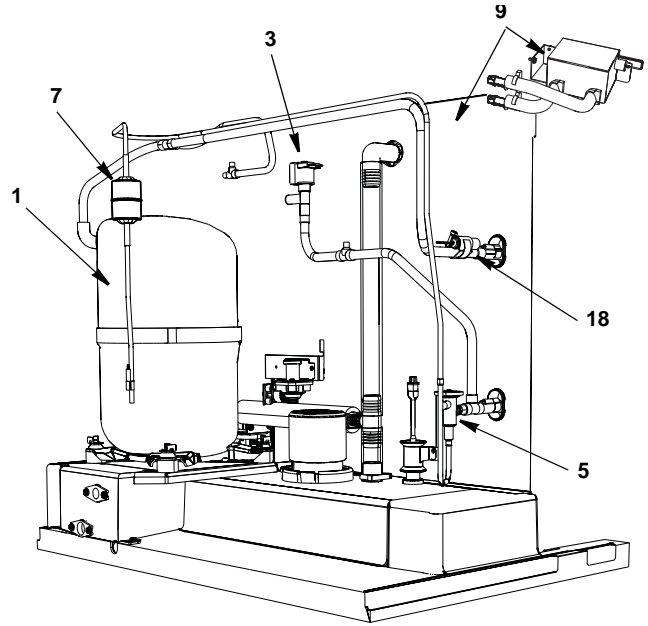
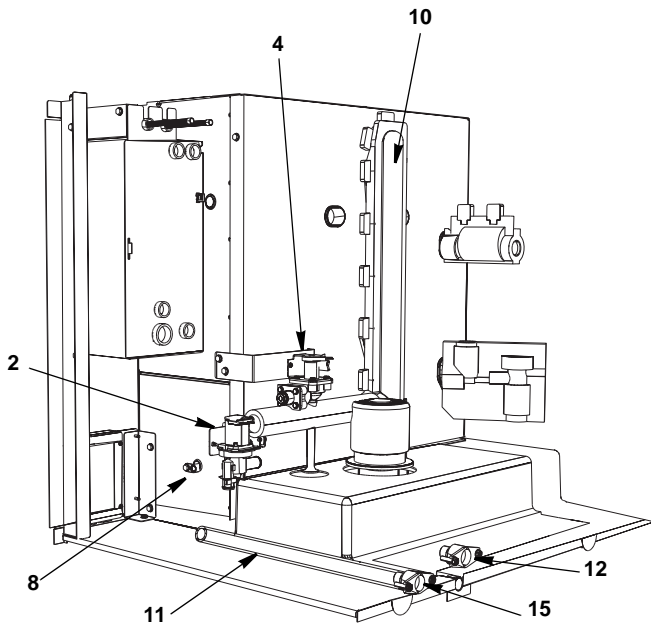
# i850 EVAPORATOR COMPARTMENT - COMMON COMPONENTS



## DESCRIPTION

	DESCRIPTION	PART NO.
1	<b>Evaporator Assembly</b>	
	a. Dice Cube . . . . .	7602163
	b. Half Dice Cube . . . . .	7602173
	c. Regular Cube . . . . .	7602193
2	<b>Water Pump</b>	
	a. 230V/60 Hz 1/3PH . . . . .	8251139
	b. 230V/50 Hz 1PH . . . . .	8252709
3	<b>Water Level Probe.</b>	000007052
	a. Wire, control box to probe (Not shown). . . . .	000007724
	b. Holder . . . . .	000007053
	c. Screw (Mount Water Level Probe Holder) . . . . .	5202099
4	Ice Thickness Control Probe . . . . .	000008660
5	Water Curtain (Not shown) . . . . .	4010989
6	Water Distribution Tube Assembly . . . . .	7602193
	a. O-rings (Back of Distribution Assembly) . . . . .	5004649
7	Water Trough . . . . .	4003609
8	Foodzone Seal Panel . . . . .	000009055
9	Evaporator Top Filler Panel . . . . .	4008469
	a. Stainless Steel Clamp . . . . .	6063339
	b. Clamp Screw . . . . .	5202099
10	Evaporator Top Frame Assembly . . . . .	7602203
11	Water Diverter . . . . .	7602213
	a. Thumbscrew . . . . .	5305123
12	LCD Display . . . . .	000006728
13	Touch Pad with Housing . . . . .	000007926
14	LCD Wiring Harness (Not shown) . . . . .	000007737
15	Touch Pad/Housing Mounting Bracket . . . . .	000006697
16	Front Panel LCD Frame	
	a. With Key Guard . . . . .	000006647
	b. Without Key Guard . . . . .	000006564
	c. Display Cover (hides the display completely) . . . . .	K00433
17	Ice Deflector (Not shown) . . . . .	000006700
<b>Miscellaneous – Brackets, Screws, etc.</b>		
18	Screw, (Water Distribution Tube Mounting) Each . . . . .	5004799
	a. O-ring . . . . .	5004629
19	Screw, #12-16 x 0.687 Used to Mount Evaporator (Each) . . . . .	5004619
20	Water Pump Base O-ring . . . . .	5004659
21	Water Pump Outlet O-ring . . . . .	5004679

# i850 REFRIGERATION COMPARTMENT – COMMON PARTS

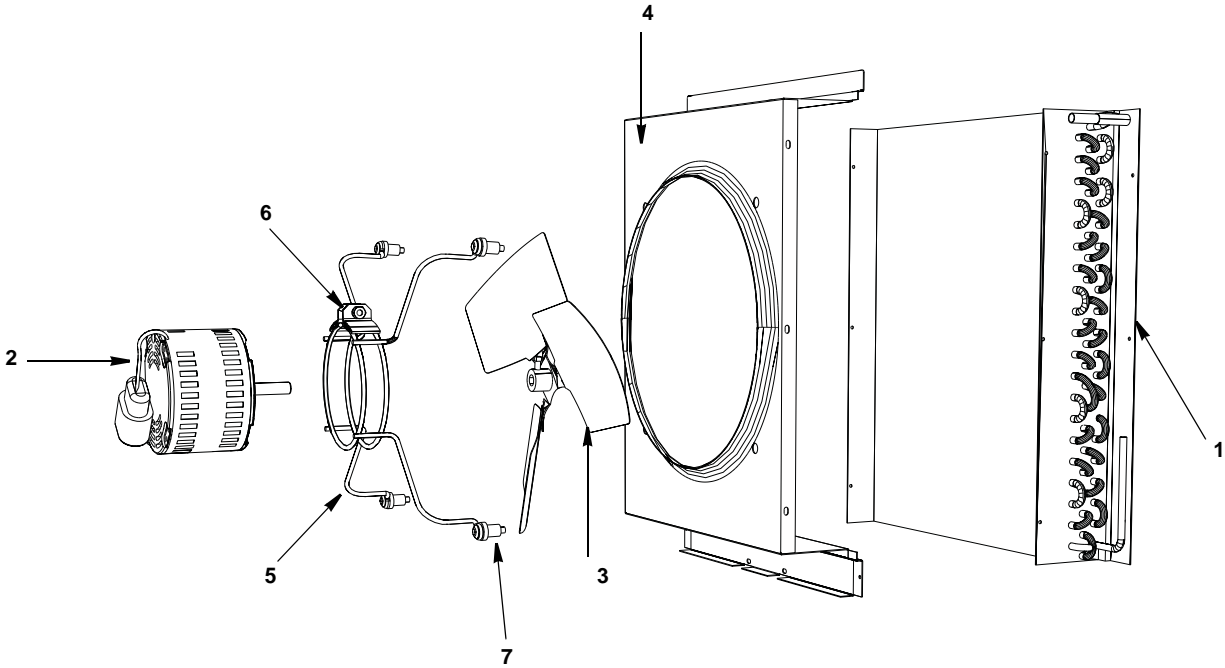


## DESCRIPTION

## PART NO.

<b>1 Compressor</b>		
a. 208-230V/50-60 Hz/1 Ph. ....		000008723
a. 208-230V/60 Hz/3 Ph. ....		000008724
b. Molded Plug. ....		2006233
<b>2 Water Dump Valve (with bracket)</b>		
a. 208-230V/50-60 Hz. ....		000001768
b. Mounting Bracket. ....		6058459
c. Dump Valve Tubing 3.25 inches. ....		4420383
<b>3 Harvest Valve</b>		
a. Harvest Valve Including 208-230V/50-60 Hz Electrical Coil. ....		000007015
b. Harvest Valve 208-230V Coil Only Danfoss. ....		000005157
<b>4 Water Inlet Valve</b>		
a. Water Inlet Valve Including 208-230V/50-60 Hz Coil. ....		000007966
b. Water Inlet Valve Bracket. ....		000007594
<b>5 Expansion Valve</b>		
a. Expansion Valve Body Insulation Boot. ....		7602253
b. Expansion Valve Bulb Insulation Boot. ....		4000363
<b>6 Thermistors with Spring Clips</b>		4007203
<b>7 Drier</b>		000008310
<b>8 Magnetic Bin Switch</b>		8930279
a. Wiring Harness. ....		000007888
<b>9 Luminlce.</b>		000007410
a. Luminlce Bulb. ....		K00424
b. Luminlce Wiring Harness. ....		K00425
c. Bulkhead Fitting 2.25". ....		000007409
d. Bulkhead Fitting 2.75". ....		000007990
<b>10 Insulated Tube (vinyl tubing from distribution tube to water pump &amp; dump valve).</b>		000008269
a. Clamp 0.859/0.989 ID. ....		000003406
b. Clamp 0.799/0.899 ID. ....		5650603
<b>11 Vinyl Tubing 0.625 ID (dump valve to drain adapter).</b>		5650703
a. Insulation. ....		000001382
b. Clamp. ....		6038831
		5650709
<b>Miscellaneous – Brackets, Screws, etc.</b>		
<b>12 Water Inlet Wing Adapter.</b>		8706093
a. Adapter Plastic Fitting. ....		1360961
<b>13 Water Inlet Valve Tubing.</b>		4010439
<b>14 Connector Water Inlet Valve.</b>		1360989
<b>15 Water Drain Wing Adapter.</b>		8706133
<b>16 Compressor Mounting</b>		
a. Base. ....		6061709
b. Rubber Grommet. ....		† 8503069
c. Sleeve. ....		8503949
d. Bolt. ....		5004819
e. Nut. ....		5004829
<b>17 Clamp, Expansion Valve Bulb.</b>		5650529
<b>18 Copper Bulb Strap.</b>		3000503
<b>19 Screw, #10-24 x 0.50.</b>		5202069

## i850 Refrigeration Compartment – Air-cooled



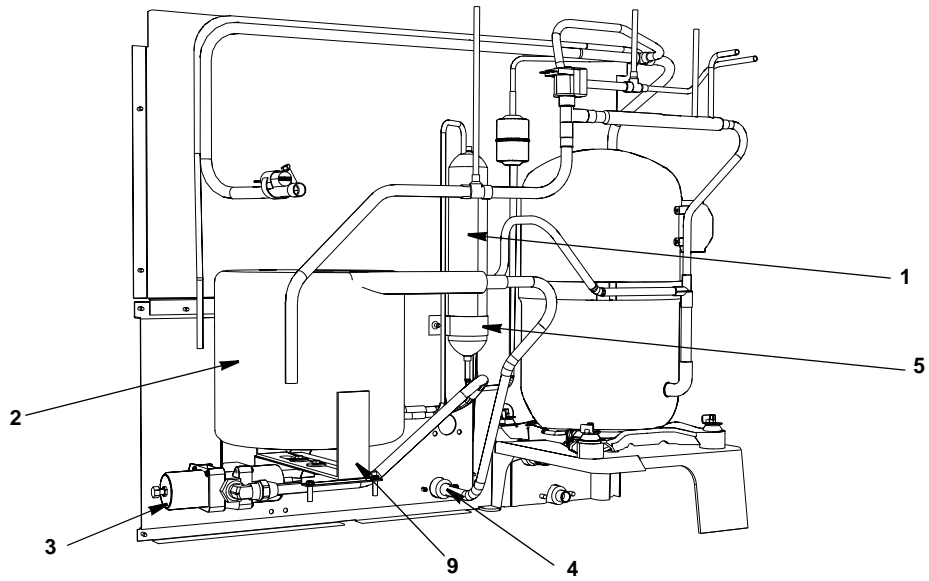
### DESCRIPTION

	DESCRIPTION	PART NO.
1	Air Condenser .....	8252399
2	Fan Motor	
	a. 208-230V/60 Hz or 230V/50 Hz .....	000003033
3	Fan Blade.....	2416123

### Miscellaneous – Brackets, Screws, etc.

4	Fan Shroud .....	6058119
5	Fan Motor Bracket .....	3006843
6	Fan Motor Mounting Screw .....	† 5033589
	a. Fan Motor Mounting Lockwasher .....	† 5545109
	b. Fan Motor Mounting Hexnut .....	† 5429529
7	Fan Bracket Mounting	
	a. Screw .....	5032389
	b. Lockwasher.....	† 5545109
	c. Flatwasher .....	† 5573059
	d. Rubber Wellnut .....	† 5429559
8	Screw, #10-24 x 0.50 .....	† 5202069

## i850 REFRIGERATION COMPARTMENT – Water-cooled



**DESCRIPTION**

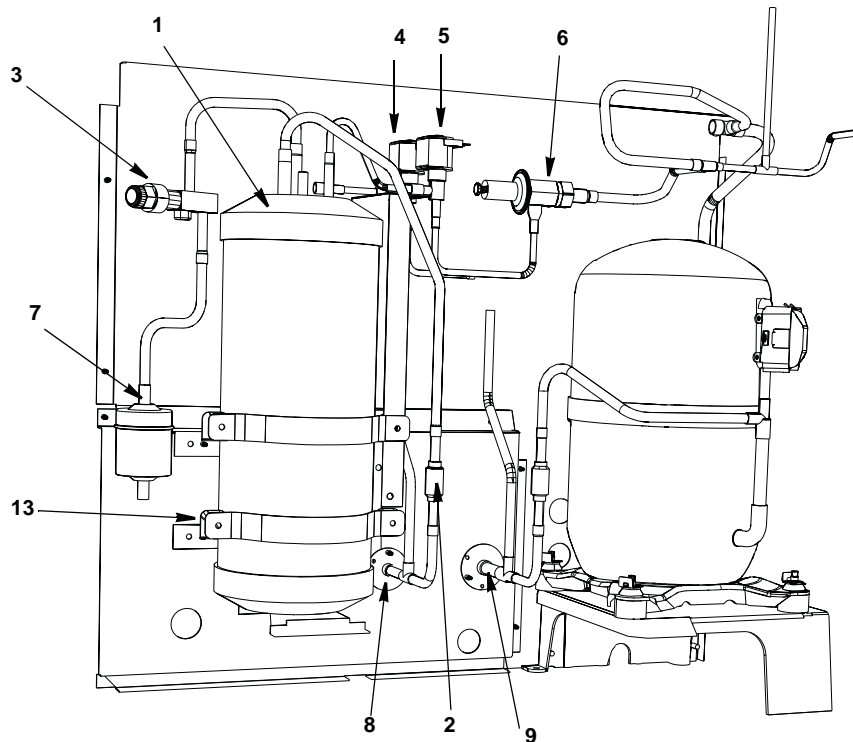
	<b>PART NO.</b>
1 Receiver . . . . .	000008893
2 Water-cooled Condenser . . . . .	000001507
3 Water Regulating Valve . . . . .	8372069
a. Bracket . . . . .	000007695
4 Condenser Water Drain Female Wing Adapter . . . . .	8706083

**Miscellaneous – Brackets, Screws, etc.**

5 Receiver Strap . . . . .	6000541
6 Elbow 3/8 MF x 3/8 MPT . . . . .	5002159
7 Screw, #10-24 x 0.50 . . . . .	5202063
8 Washer . . . . .	5573419
9 Base, Water Condenser/Receiver . . . . .	6058659

† Refer to Cross Reference Guide

## i850 REFRIGERATION COMPARTMENT – REMOTE



**DESCRIPTION**

**PART NO.**

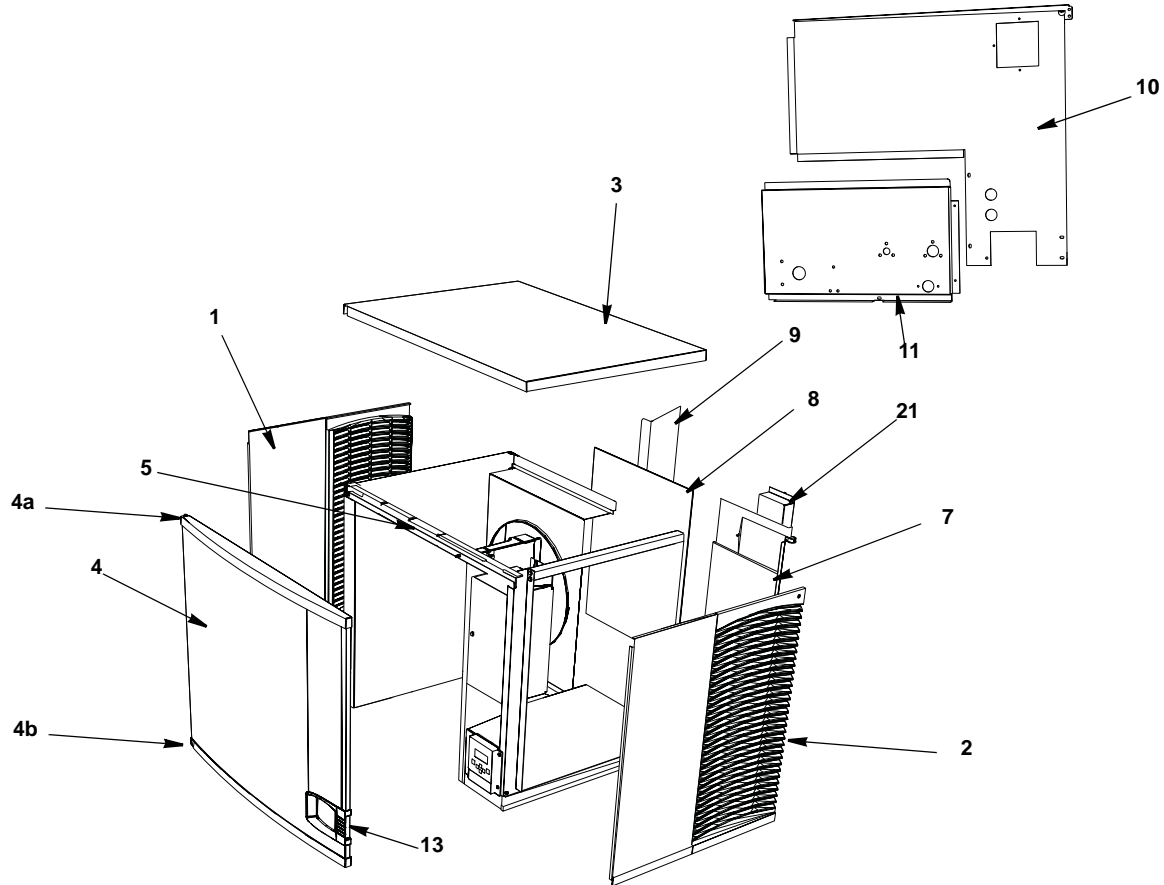
1	Receiver . . . . .	8900003
2	Magni-Check Valve . . . . .	† 8373149
3	Refrigeration Service Valve . . . . .	† 8373169
	a. Cap for Refrigeration Service Valve . . . . .	5650759
4	<b>Harvest Pressure Regulating Solenoid (HPR) Valve</b>	
	a. HPR Valve Including 230V/50-60 Hz Electrical Coil (Danfoss). . . . .	000007032
	b. HPR Valve 230V/50-60 Hz Coil Only Danfoss . . . . .	000005157
5	<b>Liquid Line Solenoid (LLS) Valve</b>	
	a. LLS Valve Including 230V/50-60 Hz Electrical Coil (Danfoss) . . . . .	000007034
	b. LLS Valve 230V/50-60 Hz Coil Only Danfoss . . . . .	000005157
6	Harvest Pressure Regulating Valve (HPR) . . . . .	† 8367793
7	Drier . . . . .	8930279
8	Coupling – Male, 5/8-18. . . . .	† 8360343
9	Coupling – Male, 1-1/6-12 . . . . .	† 8360353

**Miscellaneous – Brackets, Screws, etc.**

10	Coupling Mounting Flange for 5/8-18. . . . .	8360053
11	Coupling Mounting Flange for 1-1/16-12 . . . . .	8360063
12	Drier Support Bracket. . . . .	5650619
13	Receiver Mounting	
	a. Bracket (between receiver and panel) . . . . .	6000561
	b. Strap . . . . .	6307214
	c. Support Bracket . . . . .	000006721
	d. Base . . . . .	6058659
	e. Screw, #10-24 x 0.50 . . . . .	† 5202069

† Refer to Cross Reference Guide

# i850 PANELS

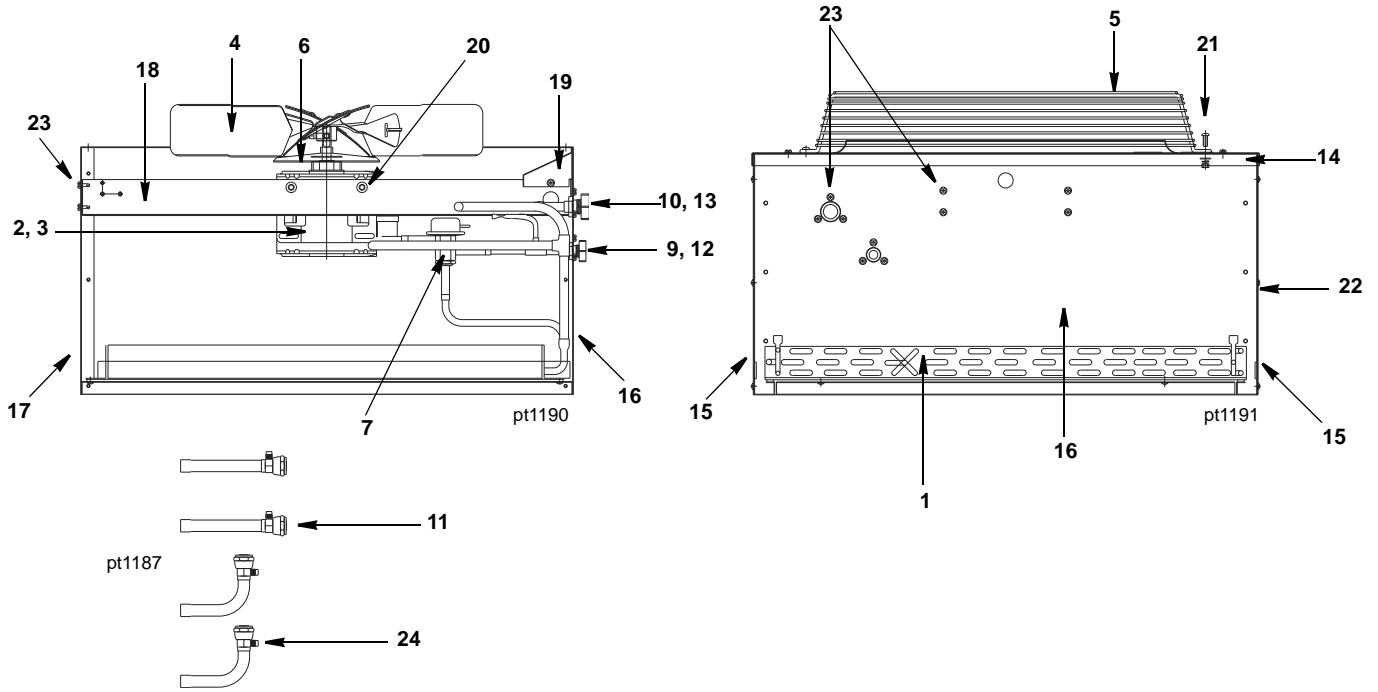


**DESCRIPTION**

	<b>DESCRIPTION</b>	<b>PART NO.</b>
1	Left Side Panel . . . . .	00005224
2	Right Side Panel . . . . .	00005222
3	Top Cover . . . . .	00006699
4	Front Panel Assembly . . . . .	00006578
4a	a. Top Endcap . . . . .	00006538
4b	b. Bottom Endcap . . . . .	00006539
5	Front Top Support . . . . .	00010051
	Mounting Screw Left Side 8-32 x 1 . . . . .	5005379
	Mounting Screw Right Side 10-24 x 0.50 . . . . .	5005099
6	Back Coupling Panel, Drain/Water Connection (Compressor Base) . . . . .	6061709
<b>Air-cooled Back Panels</b>		
7	Back Panel with Electrical Connection Box, Air-cooled Models . . . . .	6061699
8	Air Filter . . . . .	3005559
9	Air Baffle Assembly . . . . .	00007502
<b>Water-cooled &amp; Remote Air-cooled Back Panels</b>		
10	Back Panel with Electrical Connection Box . . . . .	6058649
11	Back Coupling Panel, Water-cooled/Remote Connections . . . . .	6061739
12	Drain Fitting . . . . .	8706083
<b>Miscellaneous – Brackets, Screws, etc.</b>		
13	Front Panel LCD Frame . . . . .	
	a. With Key Guard . . . . .	00006647
	b. Without Key Guard . . . . .	00006564
	c. Display Cover (hides the display completely) . . . . .	K00433
14	Door Screw . . . . .	5004899
15	Bottom Door Frame . . . . .	7602263
	a. Mounting Screw Left Side 8-32 x 1 PHIL . . . . .	5005379
	b. Mounting Screw Right Side 10-24 x 0.50 PHIL . . . . .	5202099
16	Left Door Pivot Leaf Hinge (Top or Bottom) . . . . .	3005579
	a. Mounting Screw 8-32 x 1 PHIL . . . . .	5005379
17	Left Top Channel . . . . .	6068649
18	Right Top Channel . . . . .	6062579
19	Left Corner Post . . . . .	6068659
20	Right Corner Post . . . . .	00008752
21	<b>Electrical Box on Rear of Ice Machine</b> . . . . .	
	a. Box with Cover . . . . .	Included in Back Panel Assembly
	b. Terminal Block 3 Pole . . . . .	2006143
	c. Groundscrew #10-24 x 0.50 . . . . .	5202169



# JC0895 REMOTE CONDENSER



## DESCRIPTION

	<b>PART NO.</b>
1 Air Condenser .....	† 8850629
2 Fan Motor (208-230V / 50-60 Hz/1 Ph) .....	† 7629413
3 Fan Motor Run Capacitor (Emerson) .....	8504583
3 Fan Motor Run Capacitor (Magnatec) .....	No Longer Available
4 Fan Blade .....	2416113
5 Fan Guard .....	3400643
6 Rain Slinger .....	2415053
7 Head Pressure Control .....	000004070
8 Terminal Block .....	000008040
9 Coupling – Male, 5/8-18 .....	† 8360343
10 Coupling – Male, 1-1/6-12 .....	† 8360353
11 Female Line Set Coupling Kit (Sold as Finished Goods Sales Kit) .....	Sales K0129

## Miscellaneous – Brackets, Screws, etc.

12 Coupling Mounting Flange (for 5/8-18) .....	8360053
13 Coupling Mounting Flange (for 1-1/16-12) .....	8360063
14 Top Cover .....	† 6017751
15 Panel – Side .....	† 6017741
16 Panel – Rear .....	† 6017731
17 Panel – Front .....	† 6017721
18 Fan Motor Mounting Bracket .....	† 6017681
19 Electrical Box Cover .....	† 6017761
20 <b>Fan Motor Mounting Screw</b> (5/16-18 x 5/8) .....	† 5035659
a. Fan Motor Mounting Flatwasher .....	† 5573099
b. Fan Motor Mounting Lockwasher .....	† 5573139
c. Fan Motor Mounting Hexnut .....	5429759
21 <b>Fan Guard Mounting Screw</b> (1/4-20 x 5/8) .....	† 5033459
a. Fan Guard Mounting Flatwasher .....	† 5573049
b. Fan Guard Mounting Lockwasher .....	† 5545119
c. Fan Guard Mounting Hexnut .....	† 5429529
22 <b>Panel/Condenser Mounting Screw</b> (#8 x 1/2) .....	† 5121539
a. Panel/Condenser Mounting Lockwasher .....	† 5544599
23 Screw (#10-24 x 1/2) .....	† 5202069
24 Valve Cores (used in line sets) .....	7626843
25 Legs (Not shown) (4 Req.) .....	† 6017691

† Refer to Cross Reference Guide