



Ice Machine Parts List for Series i522 Models

iR0520A

iY0524A

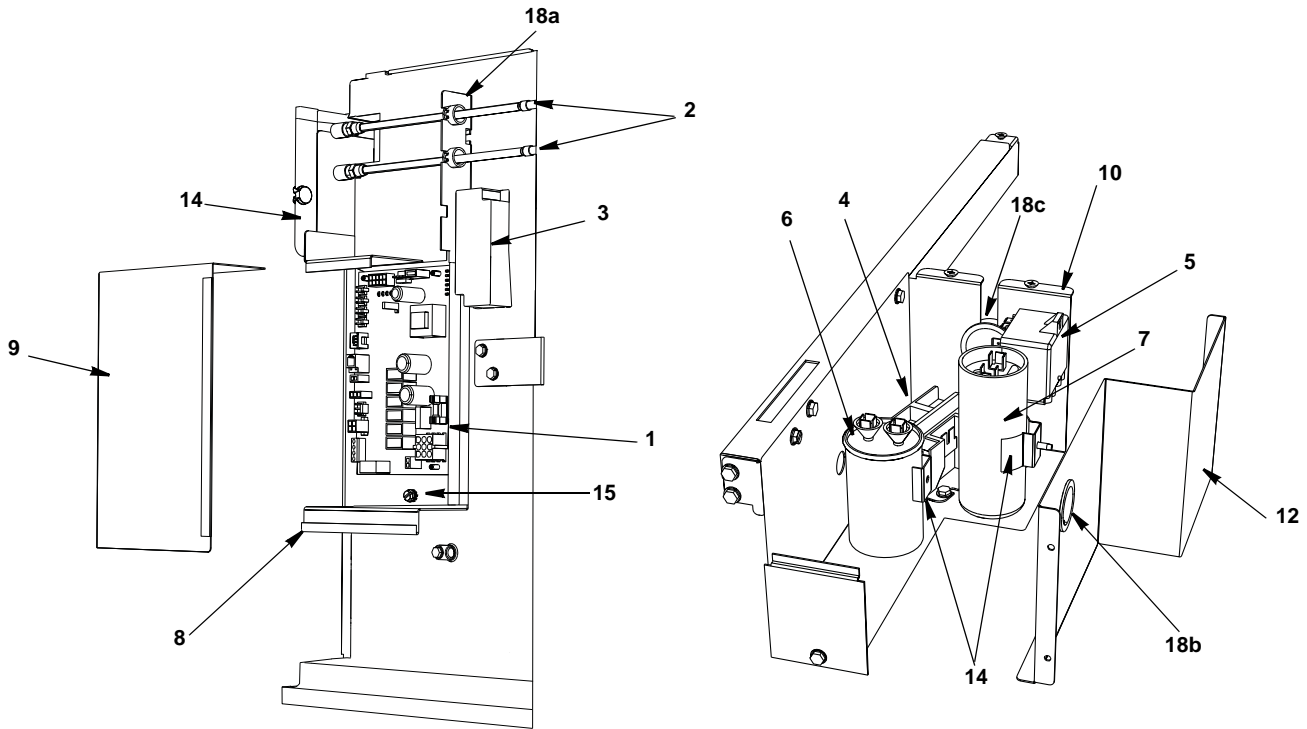
iR0522W

iY0525W

iD0521A

iD0523W

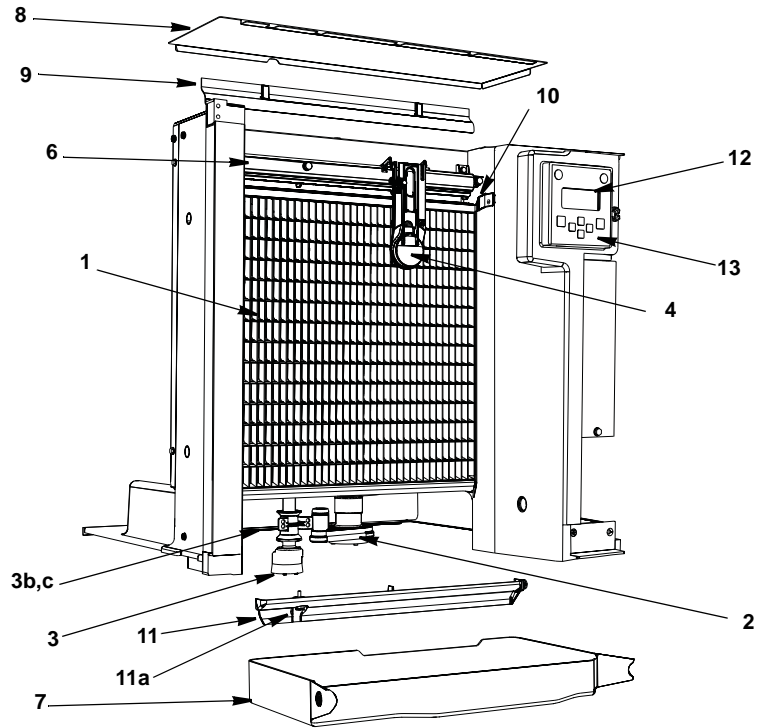
i522 CONTROL BOX



DESCRIPTION

	PART NO.
1 Control Board (for use with all voltages)	00008309
a. 8 amp Ceramic Fuse – Mounted on Control Board	00009181
2 Refrigeration Service Valve Assembly	8373263
3 Luminice Power Supply	K00424
4 Contactor	
a. 115V/60 Hz/1ph	2006589
b. 208-230V/60 Hz/1ph.	2006599
5 Start Relay	
a. 115V/60 Hz/1ph)	2002053
b. 208-230V/50-60 Hz/1ph)	2007923
6 Run Capacitor	
a. 115V/60 Hz/1ph)	2010143
b. 208-230V/60 Hz/1ph)	00007675
c. 208-230V/50 Hz/1ph)	8504003
7 Start Capacitor	
a. 115V/60 Hz/1ph)	8505773
b. 208-230V/50-60 Hz/1ph)	8503833
Miscellaneous – Brackets, Screws, etc.	
8 Control Board Box	00009213
9 Control Board Box Cover	00009228
10 Start Components Box	00008623
11 Start Components Box Top Cover	6069681
12 Start Components Box Side Cover	00008620
13 Control Board Mounting Supports	4302253
14 Capacitor Mounting Brackets	5005303
15 Screws, #10-24 x 0.50 Ground.	5202169
a. Star Washer	5573209
16 Screw, #10-24 x 0.50	5202069
17 Lockwashers	5573209
18 Control Box Bushings	
a. 0.5" - pack of 6	2502189
b. 1" - pack of 4	2500019
c. 1.5" - pack of 2	2500139
19 Control Box Wiring Harness (Not shown)	
a. 115/60/1	00007839
b. 230/60/1	00007840
c. 230/50/1	00007841
20 Compressor Compartment Wiring Harness (Not shown)	2008523

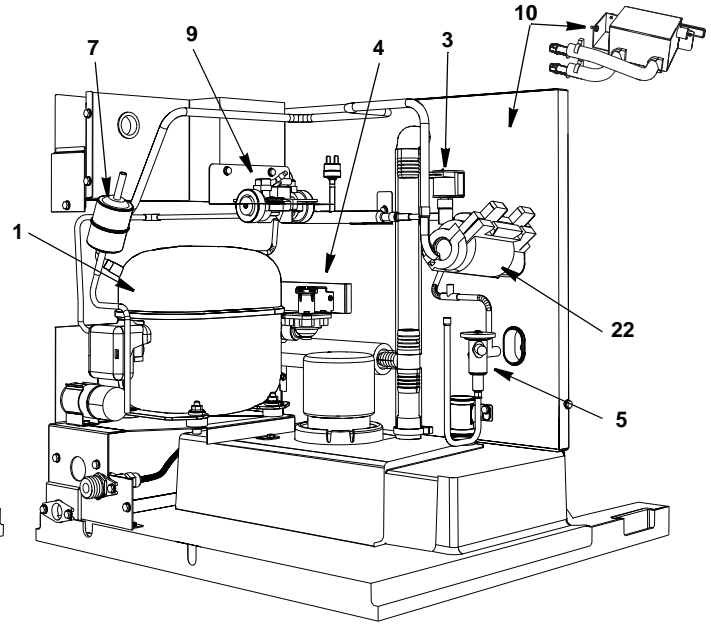
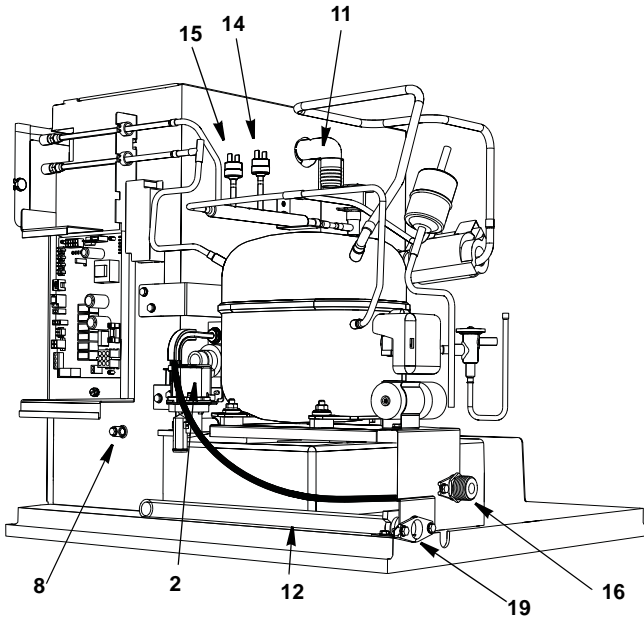
i522 EVAPORATOR COMPARTMENT - COMMON COMPONENTS



DESCRIPTION

	DESCRIPTION	PART NO.
1	Evaporator Assembly	
	a. Dice Cube	7602879
	b. Half Dice Cube	7602889
	c. Regular Cube	00006860
2	Water Pump	
	a. 115V/60 Hz 1PH	2008929
	b. 230V/60 Hz 1/3PH	2008939
	c. 230/50/1	2008949
3	Water Level Probe	
	a. Wire, control box to probe (Not shown)	00007052
	b. Holder	00007099
	c. Screw (Mount Water Level Probe Holder)	00007053
4	Ice Thickness Control Probe	5202099
5	Water Curtain (Not shown)	00008660
6	Water Distribution Tube Assembly	4011189
	a. O-rings (Back of Distribution Assembly)	7602789
7	Water Trough	5004649
8	Foodzone Seal Panel	4009149
9	Evaporator Top Filler Panel	00009188
	a. Stainless Steel Clamp	6065389
	b. Clamp Screw	6063339
10	Evaporator Top Frame Assembly	5202099
11	Water Diverter	7602799
	a. Thumbscrew	7602213
12	LCD Display	5305123
13	Touch Pad with Housing	00006728
14	LCD Wiring Harness (Not shown)	00008064
15	Touch Pad/Housing Mounting Bracket	00007828
16	Front Panel LCD Frame	00006697
	a. With Key Guard	00007046
	b. Without Key Guard	00007047
	c. Display Cover (hides the display completely)	K00433
Miscellaneous – Brackets, Screws, etc.		
17	Screw, (Water Distribution Tube Mounting) Each	5004799
	a. O-ring	5004629
18	Screw, #12-16 x 0.687 Used to Mount Evaporator (Each)	5004619
19	Water Pump Base O-ring	5004659
20	Water Pump Outlet O-ring	5004679

i522 REFRIGERATION COMPARTMENT – COMMON PARTS

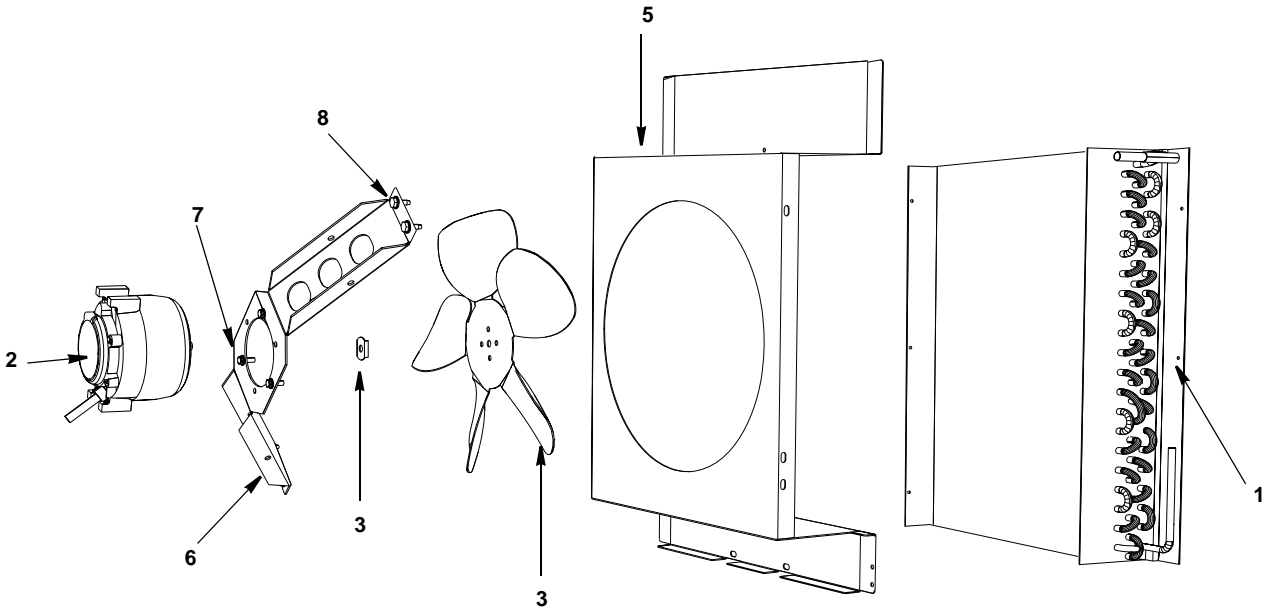


DESCRIPTION

PART NO.

1 Compressor		
a. 115V/60 HZ/1 Ph		000003919
b. 208-230V/50-60 Hz/1 Ph		000003920
2 Water Dump Valve (with bracket)		
a. 115V/60 Hz		000001767
b. 208-230V/50-60 Hz		000001768
c. Mounting Bracket		6058459
d. Dump Valve Tubing 3.25 inches		4420383
3 Harvest Valve		
a. Harvest Valve Including 115V/60 Hz Electrical Coil		000007029
b. Harvest Valve 115V Coil Only Danfoss		000005156
c. Harvest Valve Including 208-230V / 50-60 Hz Electrical Coil		000007028
d. Harvest Valve 208-230V Coil Only Danfoss		000005157
4 Water Inlet Valve		
a. Water Inlet Valve Including 115V/60 Hz Coil		000000375
b. Water Inlet Valve Including 208-230V / 50-60 Hz Coil		000000376
c. Water Inlet Valve Bracket		000007594
5 Expansion Valve		
a. Expansion Valve Body Insulation Boot		7602903
b. Expansion Valve Bulb Insulation Boot		4000363
		4007203
6 Thermistors with Spring Clips		000008310
7 Drier		8930259
8 Magnetic Bin Switch		000007888
a. Wiring Harness		000007410
9 Air Assist		
a. 115V with brackets		000007222
b. 230V with brackets		000007223
c. Manifold Tee (Air Pump Tubing Outlet)		4011739
d. Bracket		000006489
e. Nozzle		3001453
10 Luminice		K00424
a. Luminice Bulb		K00425
b. Luminice Wiring Harness		000007409
c. Bulkhead Fitting 2.25"		000007990
d. Bulkhead Fitting 2.75"		000008269
11 Insulated Tube (vinyl tubing from distribution tube to water pump & dump valve)		000003404
a. Clamp 0.859/0.989 ID		5650603
b. Clamp 0.799/0.899 ID		5650703
12 Vinyl Tubing 0.625 ID (dump valve to drain adapter)		000001382
a. Insulation		6038831
b. Clamp		5650709
13 Manifold Strainer		000008364
a. Bracket		6058571
14 High Pressure Cut-out (Auto Reset)		2001243
15 Fan Cycle Control		2001263
Miscellaneous – Brackets, Screws, etc.		
16 Water Inlet Wing Adapter		8706093
a. Adapter Plastic Fitting		1360961
17 Water Inlet Valve Tubing		4010439
a. Elbow Tube		000000288
18 Connector Water Inlet Valve		1360989
19 Water Drain Wing Adapter		8706133
20 Compressor Mounting		
a. Base		6060269
b. Rubber Grommet		† 8503069
c. Sleeve		8503949
d. Bolt		5004819
e. Nut		5004829
21 Clamp, Expansion Valve Bulb		5650529
22 Copper Bulb Strap		3000503
23 Screw, #10-24 x 0.50		5202069

i522 REFRIGERATION COMPARTMENT – Air-cooled



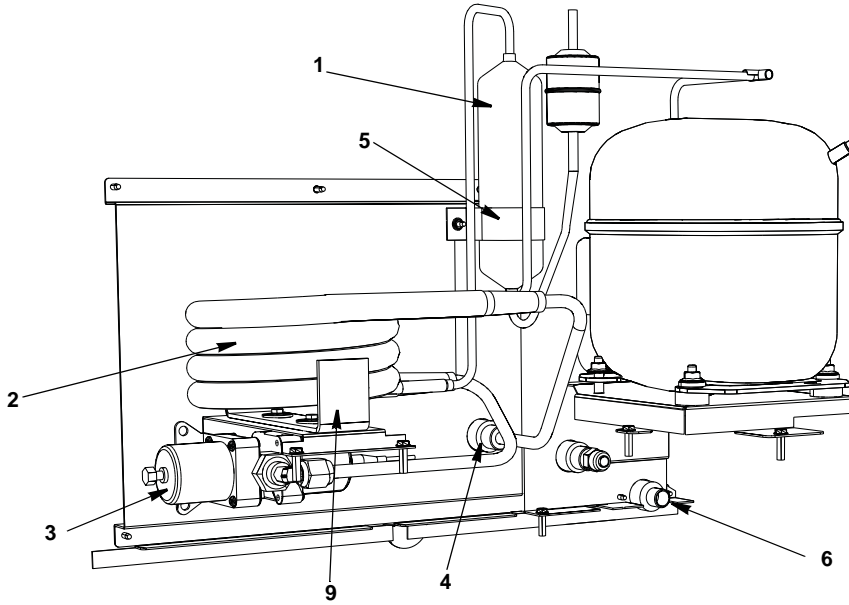
DESCRIPTION

	DESCRIPTION	PART NO.
1	Air Condenser	8252129
2	Fan Motor	
	a. 115V/60 Hz	2412929
	b. 208-230V/60 Hz or 230V/50 Hz	2412939
3	Fan Blade	2416203
4	Speed Nut	5475073

Miscellaneous – Brackets, Screws, etc.

5	Fan Shroud	6061689
6	Fan Motor Bracket	6061869
7	Fan Motor Mounting Screw	† 5033589
	a. Fan Motor Mounting Lockwasher	† 5545109
	b. Fan Motor Mounting Hexnut	† 5429529
8	Fan Bracket Mounting	
	a. Screw	5032389
	b. Lockwasher	† 5545109
	c. Flatwasher	† 5573059
	d. Rubber Wellnut	† 5429559
9	Screw, #10-24 x 0.50	† 5202069

i522 REFRIGERATION COMPARTMENT – Water-cooled



DESCRIPTION

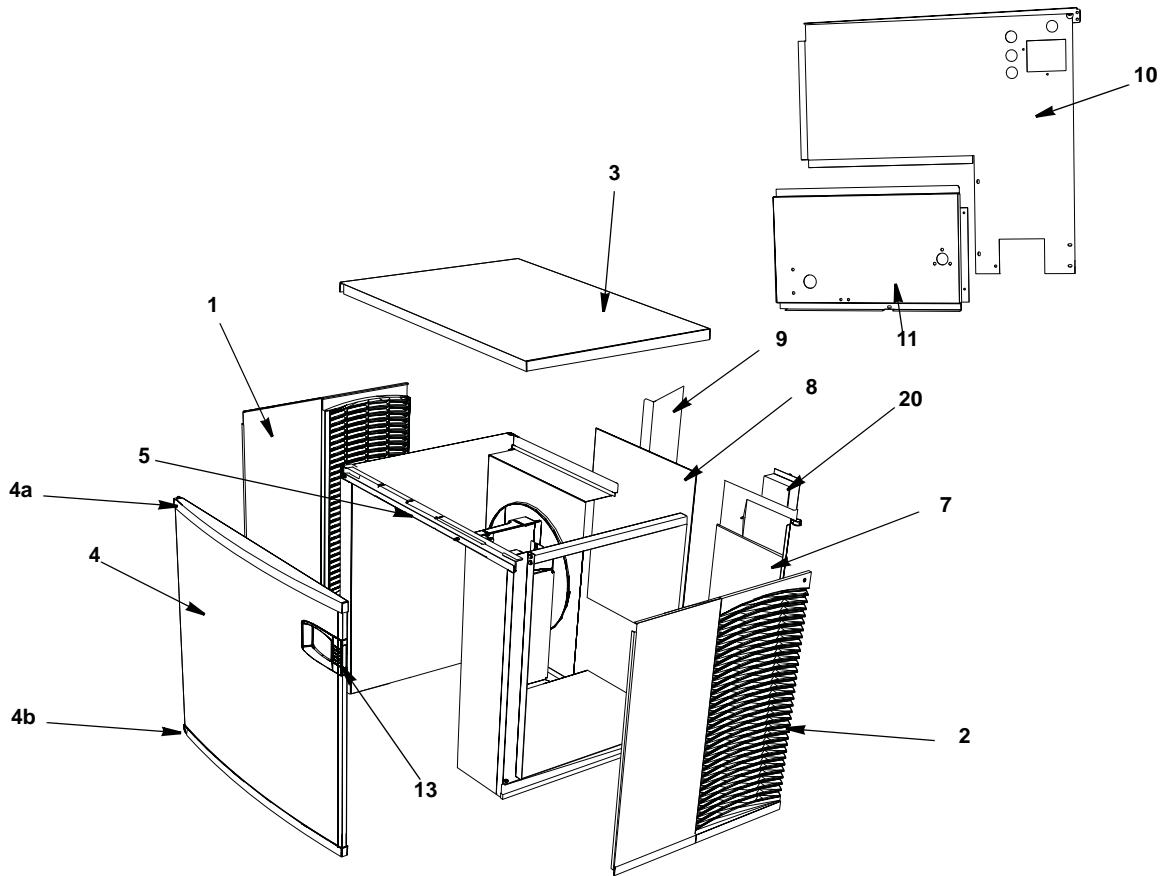
	PART NO.
1 Receiver	000008892
2 Water-cooled Condenser	000000046
3 Water Regulating Valve	000007546
a. Bracket	000007695
4 Condenser Water Drain Female Wing Adapter	8706083

Miscellaneous – Brackets, Screws, etc.

5 Receiver Strap	6000541
6 Elbow 3/8 MF x 3/8 MPT	5002159
7 Screw, #10-24 x 0.50	5202063
8 Washer	5573419
9 Base, Water Condenser/Receiver	6058659

† Refer to Cross Reference Guide

i522 PANELS



DESCRIPTION

DESCRIPTION	PART NO.
1 Left Side Panel	00005217
2 Right Side Panel	00005215
3 Top Cover	00007768
4 Front Panel Assembly	00006579
a. Top Endcap	00006560
b. Bottom Endcap	00006565
5 Front Top Support	00010050
Mounting Screw Left Side 8-32 x 1	5005379
Mounting Screw Right Side 10-24 x 0.50	5005099
6 Back Coupling Panel, Drain/Water Connection (Compressor Base)	6060269
Air-cooled Back Panels	
7 Back Panel with Electrical Connection Box, Air-cooled Models	00008621
8 Air Filter	3005939
9 Air Baffle Assembly	00007314
Water-cooled Back Panels	
10 Back Panel with Electrical Connection Box	00008622
11 Back Coupling Panel, Water-cooled	00008022
12 Drain Fitting	8706083
Miscellaneous – Brackets, Screws, etc.	
13 Front Panel LCD Frame	
a. With Key Guard	00007046
b. Without Key Guard	00007047
c. Display Cover (hides the display completely)	K00433
14 Door Screw	5004899
15 Bottom Door Frame	7602829
a. Mounting Screw Left Side 8-32 x 1 PHIL	5005379
b. Mounting Screw Right Side 10-24 x 0.50 PHIL	5202099
16 Left Door Pivot Leaf Hinge (Top or Bottom)	3005579
a. Mounting Screw 8-32 x 1 PHIL	5005379
17 Left Top Channel	6068649
18 Right Top Channel	6071451
19 Left Corner Post	6062939
20 Electrical Box on Rear of Ice Machine	
a. Box with Cover	Included in Back Panel Assembly
b. Terminal Block 3 Pole	2006143
c. Groundscrew #10-24 x 0.50	5202169