



## **Ice Machine Parts List for Series i500 Models**

**iR0520A**

**iY0504A**

**iR0521W**

**iY0505W**

**iR0590N**

**iY0594N**

**iD0502A**

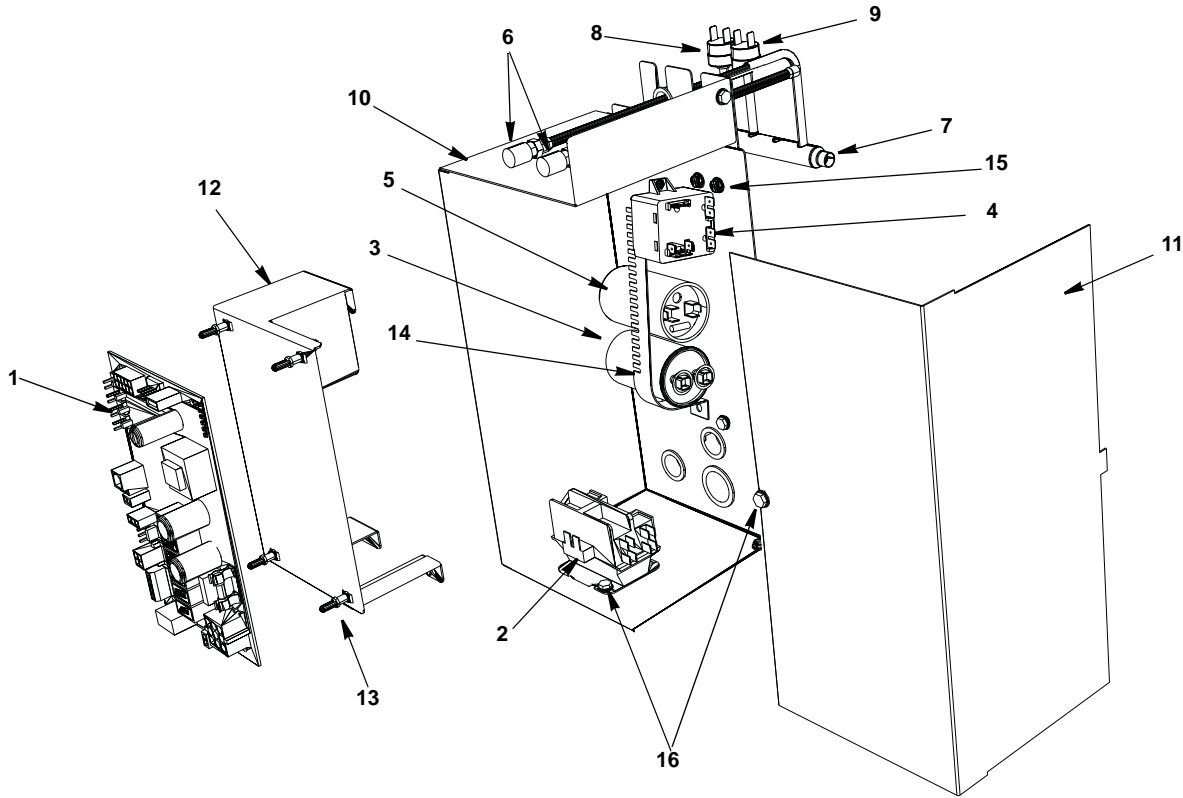
**iYP0504A**

**iD0503W**

**iD0592N**

**JC0495**

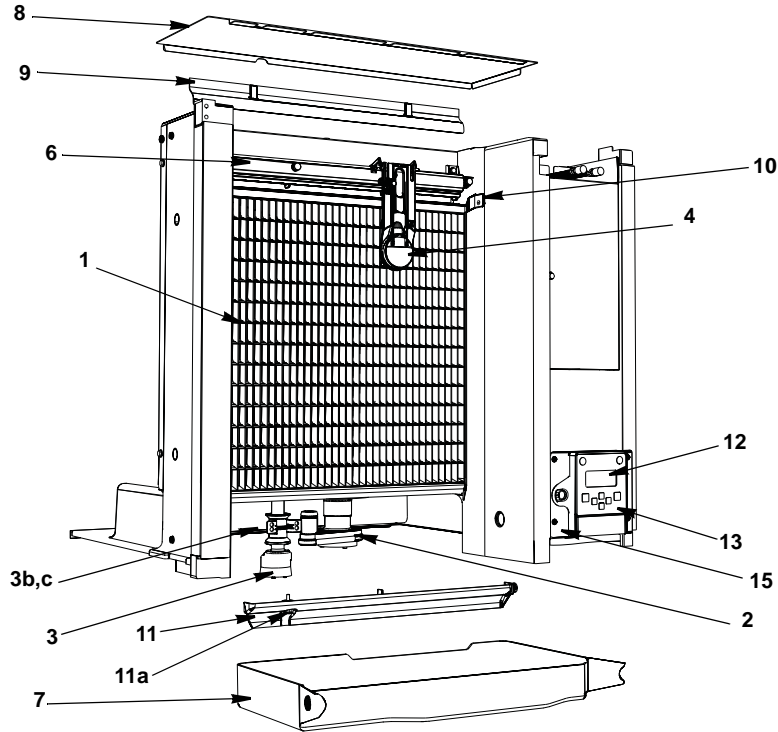
# i500 CONTROL BOX



## DESCRIPTION

	DESCRIPTION		PART NO.
1	Control Board (for use with all voltages)	000008309	
	a. 8 amp Ceramic Fuse – Mounted on Control Board	000009181	
2	<b>Contactors</b>		
	a. 115V/60 Hz/1ph	2006589	
	b. 208-230V/60 Hz/1ph or 230V/50 Hz/1ph	2006599	
	c. R290 230V/50 Hz/1ph	000008924	
3	<b>Compressor Run Capacitor</b>		
	a. 115V/60 Hz/1ph	2010143	
	b. 208-230V/50-60 Hz/1ph	8504003	
	c. R290 230V/50 Hz/1ph	2009493	
4	<b>Start Relay</b>		
	a. 115V/60 Hz/1ph	2002053	
	b. 230V/50-60 Hz/1ph	2007929	
5	<b>Start Capacitor</b>		
	a. 115V/60 Hz/1ph	8505773	
	b. 230V/50-60 Hz/1ph	8503833	
	c. R290 230V/50 Hz/1ph	8503723	
6	Refrigeration Service Valve Assembly	8373263	
7	Manifold Strainer	8251049	
	a. Bracket	6058571	
8	High Pressure Cut-out (Auto Reset)	2001243	
	a. R290 230V/50 Hz/1ph Only	000008876	
9	Fan Cycling Control	† 2001263	
	a. R290 230V/50 Hz/1ph Only	000008877	
	<b>Miscellaneous – Brackets, Screws, etc.</b>		
10	Control Box	000008279	
11	Control Box Cover	000010421	
12	Control Board Mounting Bracket	000007564	
13	Control Board Mounting Supports	4302253	
14	Capacitor Mounting Strap	6024953	
15	Screws, #10-24 x 0.50 Ground	5202169	
	a. Star Washer	5573209	
16	Screw, #10-24 x 0.50	5202069	
17	Lockwashers	5573209	
18	Control Box Bushings		
	a. Large (1)	2500019	
	b. Small (4)	2501409	
19	<b>Control Box Wiring Harness (Not shown)</b>		
	a. 115/60/1	000007172	
	b. 230/60/1	000007173	
	c. 230/50/1	000007174	
	d. R290 230V/50 Hz/1ph	000009996	
20	<b>Compressor Compartment Wiring Harness (Not shown)</b>		
	a. Air-cooled	000007178	
	b. Water-cooled	000007176	
	c. Remote Air-cooled	000007175	
21	<b>R290 Contactor Box (Not shown)</b>		
	a. Box Cover	000009209	
	b. Mounting Bracket	000009210	
	c. Liquid Tight Cord Grip	000009211	
	d. R290 230V/50 Hz/1ph Contactor Wiring Harness	000009229	
	e. R290 230V/50 Hz/1ph Terminal Blocks	000009262	
		2004603	

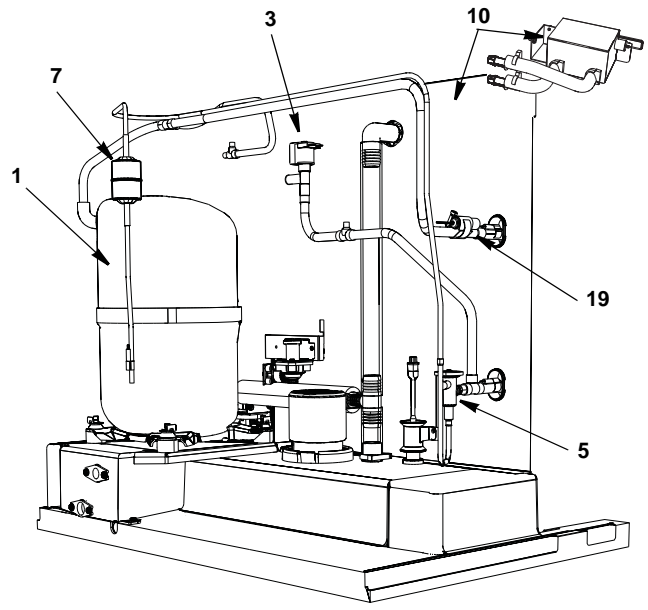
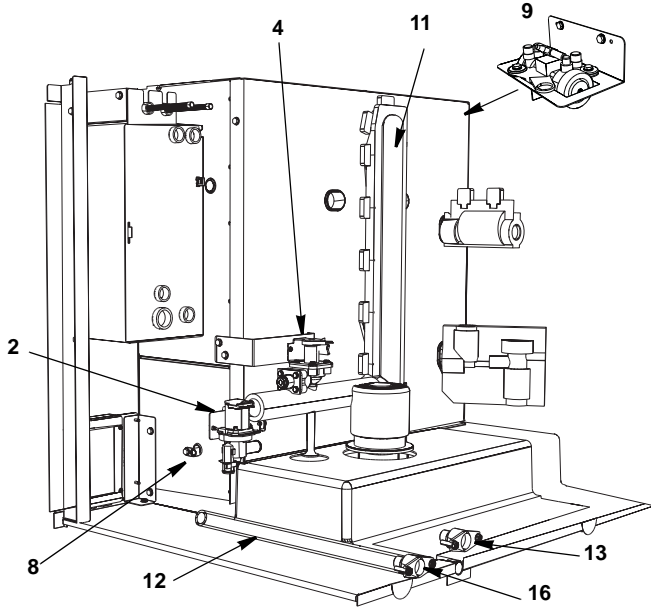
# i500 EVAPORATOR COMPARTMENT - COMMON COMPONENTS



## DESCRIPTION

	DESCRIPTION	PART NO.
1	<b>Evaporator Assembly</b>	
	a. Dice Cube . . . . .	7602839
	b. Half Dice Cube . . . . .	7602849
	c. Regular Cube . . . . .	7602859
2	<b>Water Pump</b>	
	a. 115V/60 Hz 1PH . . . . .	8251129
	b. 230V/60 Hz 1/3PH . . . . .	2007399
	c. 230/50/1 . . . . .	8252109
3	<b>Water Level Probe.</b>	000007052
	a. Wire, control box to probe (Not shown) . . . . .	000007099
	b. Holder . . . . .	000007053
	c. Screw (Mount Water Level Probe Holder) . . . . .	5202099
4	Ice Thickness Control Probe . . . . .	000008660
5	Water Curtain (Not shown) . . . . .	4010979
6	Water Distribution Tube Assembly . . . . .	7602193
	a. O-rings (Back of Distribution Assembly) . . . . .	5004649
7	Water Trough . . . . .	4003609
8	Foodzone Seal Panel . . . . .	000009055
9	Evaporator Top Filler Panel . . . . .	4008469
	a. Stainless Steel Clamp . . . . .	6063339
	b. Clamp Screw . . . . .	5202099
10	Evaporator Top Frame Assembly . . . . .	7602203
11	Water Diverter . . . . .	7602213
	a. Thumbscrew . . . . .	5305123
12	LCD Display . . . . .	000006728
13	Touch Pad with Housing . . . . .	000007926
14	LCD Wiring Harness (Not shown) . . . . .	000007737
15	Touch Pad/Housing Mounting Bracket . . . . .	000006697
16	Front Panel LCD Frame . . . . .	
	a. With Key Guard . . . . .	000006647
	b. Without Key Guard . . . . .	000006564
	c. Display Cover (hides the display completely) . . . . .	K00433
<b>Miscellaneous – Brackets, Screws, etc.</b>		
17	Screw, (Water Distribution Tube Mounting) Each . . . . .	5004799
	a. O-ring . . . . .	5004629
18	Screw, #12-16 x 0.687 Used to Mount Evaporator (Each) . . . . .	5004619
19	Water Pump Base O-ring . . . . .	5004659
20	Water Pump Outlet O-ring . . . . .	5004679

## i500 REFRIGERATION COMPARTMENT – COMMON PARTS



### DESCRIPTION

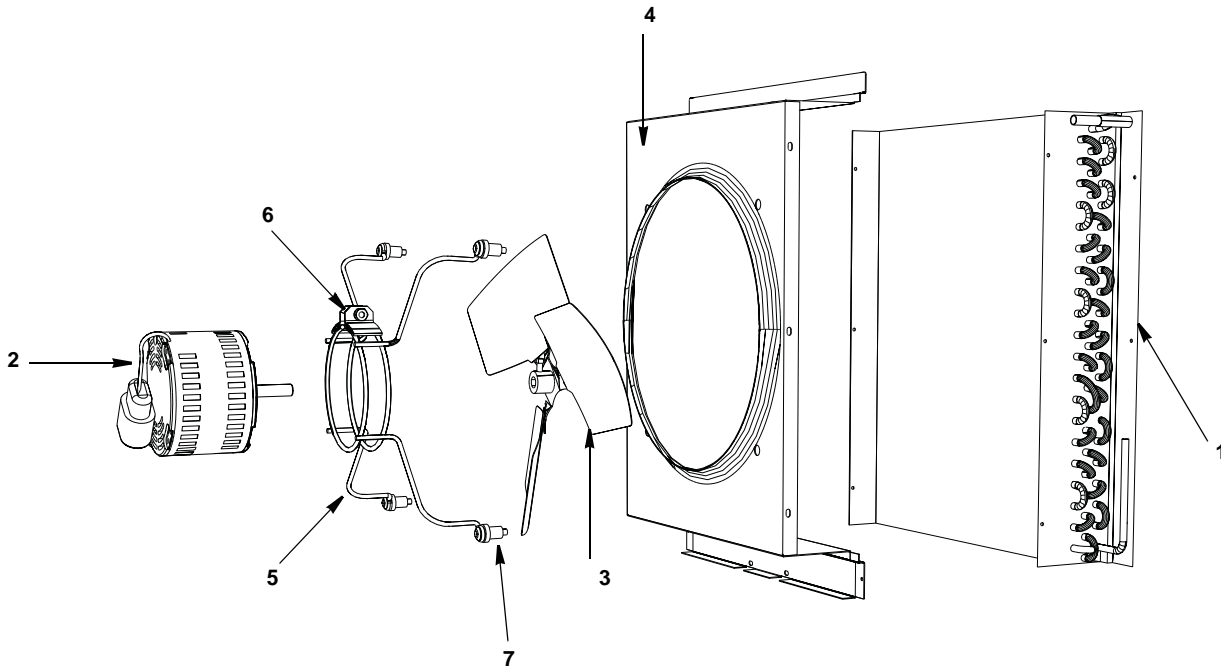
### PART NO.

<b>1 Compressor</b>	
a. 115V/60 HZ/1 Ph. ....	000003919
b. 208-230V/50-60 Hz/1 Ph. ....	000003920
c. R290 230V/50 Hz/1ph ....	000010044
<b>2 Water Dump Valve (with bracket)</b>	
a. 115V/60Hz. ....	000001767
a. 208-230V/50-60 Hz. ....	000001768
b. Mounting Bracket ....	6058459
c. Dump Valve Tubing 3.25 inches ....	4420383
<b>3 Harvest Valve</b>	
a. Harvest Valve Including 115V/60 Hz Electrical Coil ....	000007027
b. Harvest Valve 115V Coil Only Danfoss ....	000005156
c. Harvest Valve Including 208-230V / 50-60 Hz Electrical Coil ....	000007026
d. Harvest Valve 208-230V Coil Only Danfoss ....	000005157
<b>4 Water Inlet Valve</b>	
a. Water Inlet Valve Including 115V/60 Hz Coil ....	000007965
b. Water Inlet Valve Including 208-230V/50-60 Hz Coil ....	000007966
c. Water Inlet Valve Bracket ....	000007594
<b>5 Expansion Valve</b>	
a. R290 230V/50 Hz/1ph ....	7601583
b. Expansion Valve Body Insulation Boot ....	000008875
c. Expansion Valve Bulb Insulation Boot. ....	4000363
	4007203
<b>6 Thermistors with Spring Clips</b>	000008310
<b>7 Drier</b>	
a. Air & Water-cooled ....	8930259
b. Remote ....	8930279
<b>8 Magnetic Bin Switch</b>	000007888
a. Wiring Harness ....	000007410
<b>9 Air Assist</b>	
a. 115V with brackets ....	000007222
b. 230V with brackets ....	000007223
c. Manifold Tee (Air Pump Tubing Outlet) ....	4011739
d. Bracket ....	000006489
e. Nozzle ....	3001453
<b>10 LuminIce</b>	K00424
a. LuminIce Bulb ....	K00425
b. LuminIce Wiring Harness ....	000007409
c. Bulkhead Fitting 2.25" ....	000007990
d. Bulkhead Fitting 2.75" ....	000008269
<b>11 Insulated Tube (vinyl tubing from distribution tube to water pump &amp; dump valve)</b>	000003405
a. Clamp 0.859/0.989 ID. ....	5650603
b. Clamp 0.799/0.899 ID. ....	5650703
<b>12 Vinyl Tubing 0.625 ID (dump valve to drain adapter)</b>	000001382
a. Insulation. ....	6038831
b. Clamp ....	5650709

**Miscellaneous – Brackets, Screws, etc.**

13	Water Inlet Wing Adapter .....	8706093
	a. Adapter Plastic Fitting .....	1360961
14	Water Inlet Valve Tubing .....	4010439
15	Connector Water Inlet Valve .....	1360989
16	Water Drain Wing Adapter .....	8706133
17	Compressor Mounting .....	
	a. Base .....	6061709
	b. Rubber Grommet .....	† 8503069
	c. Sleeve .....	8503949
	d. Bolt .....	5004819
	e. Nut .....	5004829
18	Clamp, Expansion Valve Bulb .....	5650529
19	Copper Bulb Strap .....	3000503
20	Screw, #10-24 x 0.50 .....	5202069

## i500 Refrigeration Compartment – Air-cooled



**DESCRIPTION**

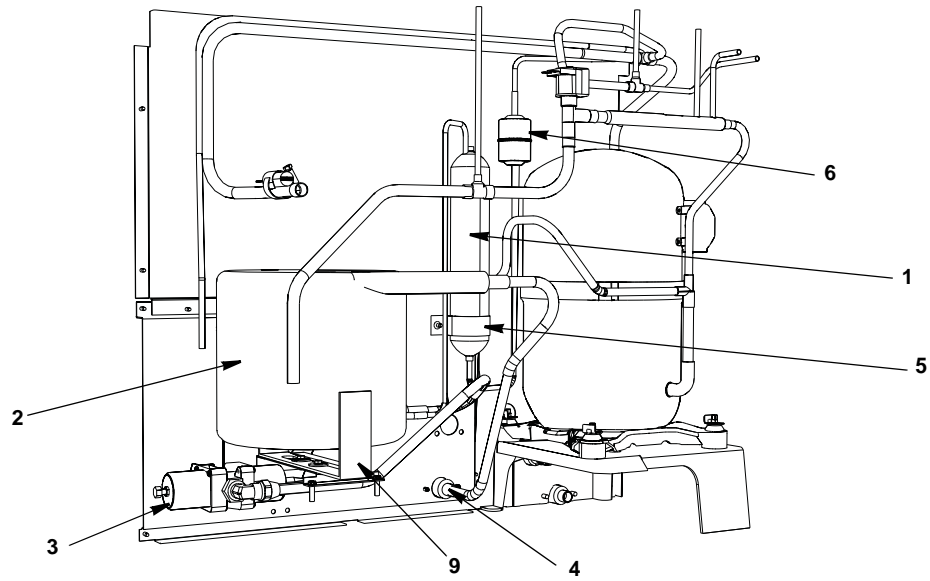
	<b>DESCRIPTION</b>	<b>PART NO.</b>
1	Air Condenser.....	8252139
	a. R290 230V/50 Hz/1ph .....	000008785
	b. R290 230V/50 Hz/1ph Air Condenser Mounting Plates (2).....	000009061
2	Fan Motor	
	a. 115V/60 Hz .....	2412929
	b. 208-230V/60 Hz or 230V/50 Hz.....	2412939
3	Fan Blade .....	2416203

**Miscellaneous – Brackets, Screws, etc.**

4	Fan Shroud.....	000002484
	a. R290 230V/50 Hz/1ph .....	000008921
5	Fan Motor Bracket .....	6061869
6	Fan Motor Mounting Screw.....	† 5033589
	a. Fan Motor Mounting Lockwasher .....	† 5545109
	b. Fan Motor Mounting Hexnut .....	† 5429529
7	Fan Bracket Mounting	
	a. Screw.....	5032389
	b. Lockwasher .....	† 5545109
	c. Flatwasher.....	† 5573059
	d. Rubber Wellnut .....	† 5429559
8	Screw, #10-24 x 0.50 .....	† 5202069

† Refer to Cross Reference Guide

## i500 REFRIGERATION COMPARTMENT – Water-cooled



**DESCRIPTION**

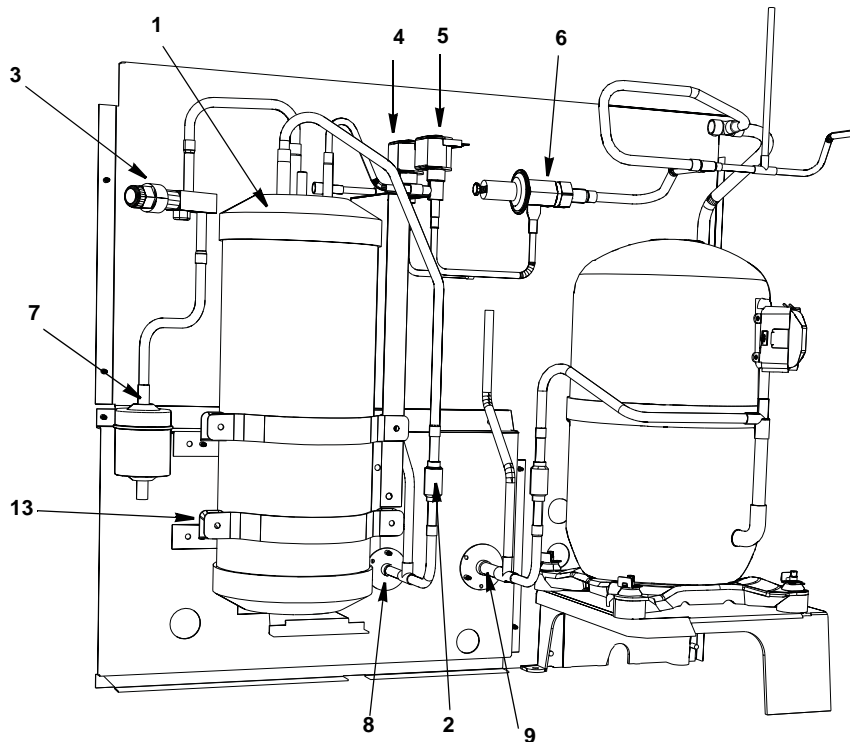
	<b>PART NO.</b>
1 Receiver . . . . .	000008892
2 Water-cooled Condenser . . . . .	8865333
3 Water Regulating Valve . . . . .	8252829
a. Bracket . . . . .	000007695
4 Condenser Water Drain Female Wing Adapter . . . . .	8706083

**Miscellaneous – Brackets, Screws, etc.**

5 Receiver Strap . . . . .	6000541
6 Elbow 3/8 MF x 3/8 MPT . . . . .	5002159
7 Screw, #10-24 x 0.50 . . . . .	5202063
8 Washer . . . . .	5573419
9 Base, Water Condenser/Receiver . . . . .	6058659

† Refer to Cross Reference Guide

## i500 REFRIGERATION COMPARTMENT – REMOTE



### DESCRIPTION

	DESCRIPTION	PART NO.
1	Receiver . . . . .	8250583
2	Magni-Check Valve . . . . .	† 8373149
3	Refrigeration Service Valve . . . . .	† 8373169
	a. Cap for Refrigeration Service Valve . . . . .	5650759
4	<b>Harvest Pressure Regulating Solenoid (HPR) Valve</b>	
	a. HPR Valve Including 115V/60 Hz Electrical Coil (Danfoss) . . . . .	000007035
	b. HPR Valve 115V/60 Hz Coil Only Danfoss . . . . .	000005156
5	<b>Liquid Line Solenoid (LLS) Valve</b>	
	a. LLS Valve Including 115V/60 Hz Electrical Coil (Danfoss) . . . . .	000007035
	b. LLS Valve 115V/60 Hz Coil Only Danfoss . . . . .	000005156
6	Harvest Pressure Regulating Valve (HPR) . . . . .	† 8367793
7	Drier . . . . .	8930279
8	Coupling – Male, 5/8-18 . . . . .	† 8360343
9	Coupling – Male, 1-1/6-12 . . . . .	† 8360353

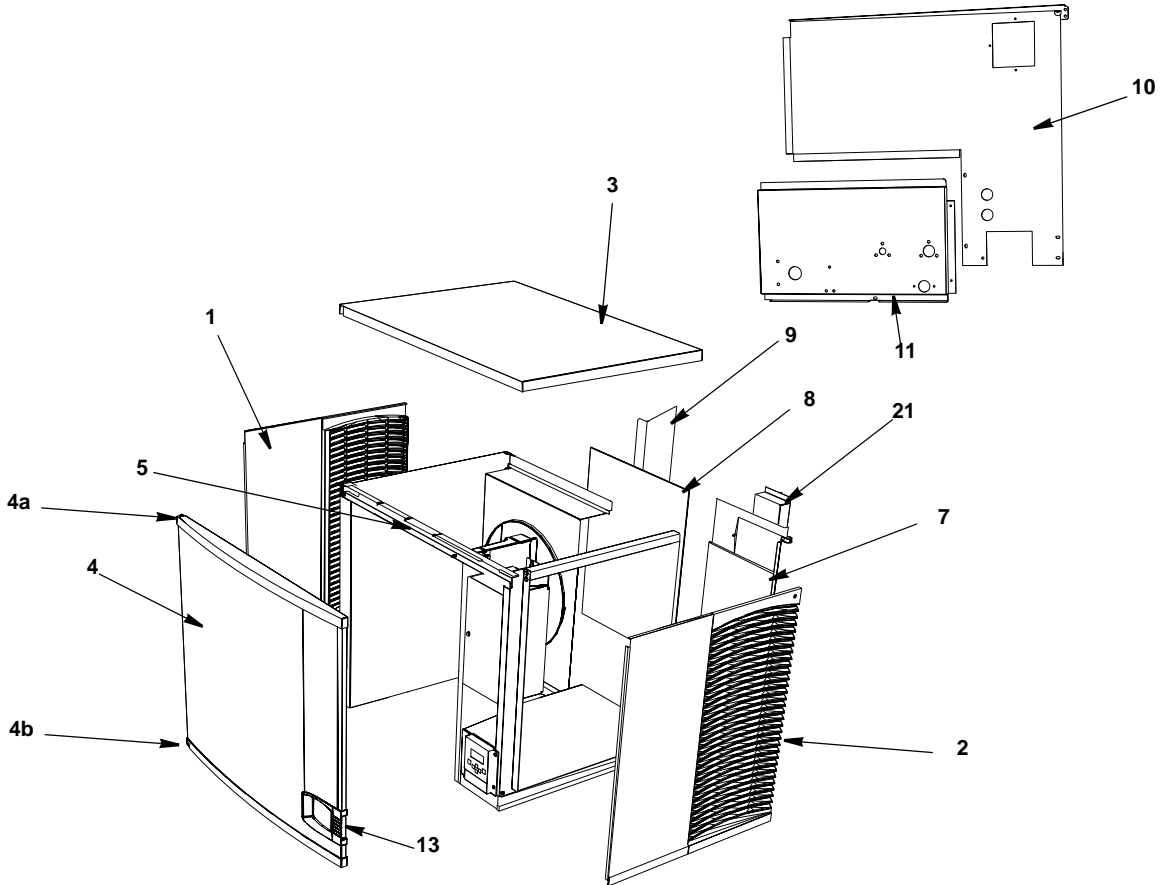
### Miscellaneous – Brackets, Screws, etc.

10	Coupling Mounting Flange for 5/8-18 . . . . .	8360053
11	Coupling Mounting Flange for 1-1/16-12 . . . . .	8360063
12	Drier Support Bracket . . . . .	5650619
13	Receiver Mounting	
	a. Bracket (between receiver and panel) . . . . .	6000561
	b. Strap . . . . .	6307214
	c. Support Bracket . . . . .	000006721
	d. Base . . . . .	6058659
	e. Screw, #10-24 x 0.50 . . . . .	† 5202069

† Refer to Cross Reference Guide



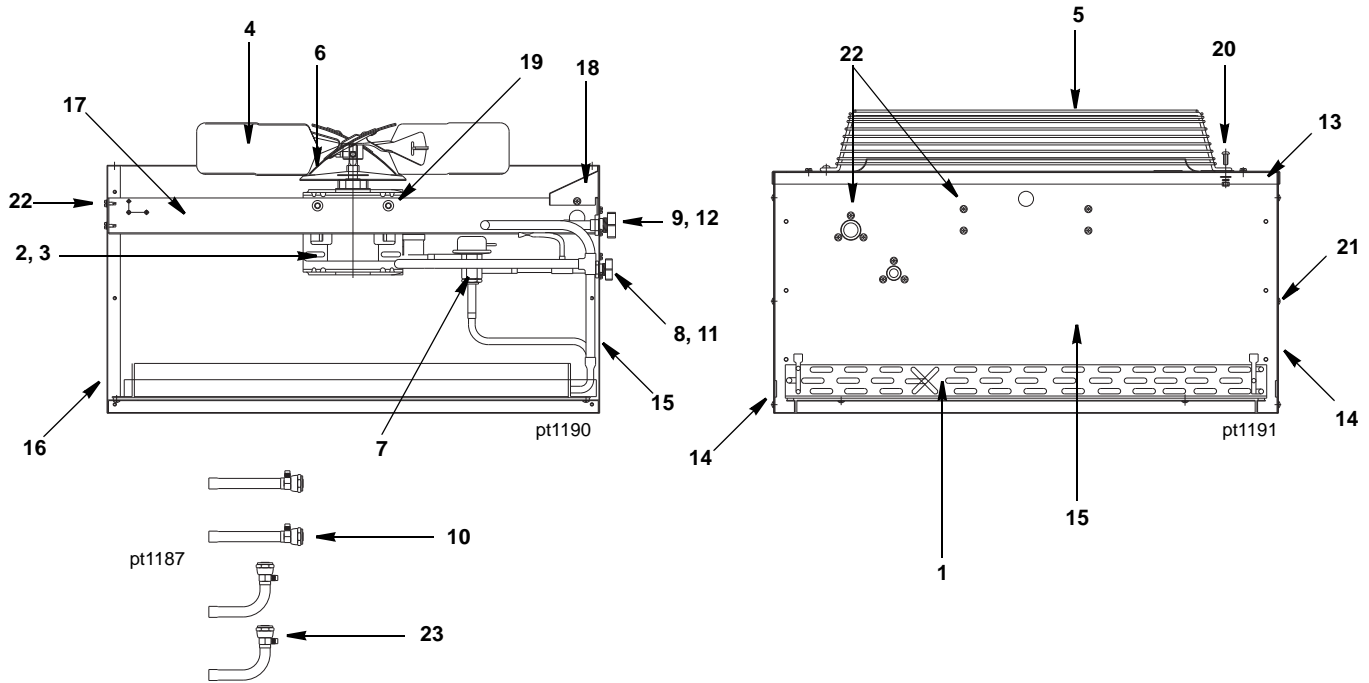
# i500 PANELS



## DESCRIPTION

	<b>PART NO.</b>
1 Left Side Panel .....	000005217
2 Right Side Panel .....	000005215
3 Top Cover .....	000006699
4 Front Panel Assembly .....	000006577
a. Top Endcap .....	000006538
b. Bottom Endcap .....	000006539
5 Front Top Support .....	000100051
Mounting Screw Left Side 8-32 x 1 .....	5005379
Mounting Screw Right Side 10-24 x 0.50 .....	5005099
6 Back Coupling Panel, Drain/Water Connection (Compressor Base) .....	6061709
<b>Air-cooled Back Panels</b>	
7 Back Panel with Electrical Connection Box, Air-cooled Models .....	6062969
a. R290 230V/50 Hz/1ph .....	000008922
8 Air Filter .....	3005569
a. R290 230V/50 Hz/1ph .....	000008923
9 Air Baffle Assembly .....	000007314
<b>Water-cooled &amp; Remote Air-cooled Back Panels</b>	
10 Back Panel with Electrical Connection Box .....	6072071
11 Back Coupling Panel, Water-cooled/Remote Connections .....	6061739
12 Drain Fitting .....	8706083
<b>Miscellaneous – Brackets, Screws, etc.</b>	
13 Front Panel LCD Frame .....	
a. With Key Guard .....	000006647
b. Without Key Guard .....	000006564
c. Display Cover (hides the display completely) .....	K00433
14 Door Screw .....	5004899
15 Bottom Door Frame .....	7602263
a. Mounting Screw Left Side 8-32 x 1 PHIL .....	5005379
b. Mounting Screw Right Side 10-24 x 0.50 PHIL .....	5202099
16 Left Door Pivot Leaf Hinge (Top or Bottom) .....	3005579
a. Mounting Screw 8-32 x 1 PHIL .....	5005379
17 Left Top Channel .....	6068649
18 Right Top Channel .....	6062579
19 Left Corner Post .....	6062939
20 Right Corner Post .....	6062929
21 <b>Electrical Box on Rear of Ice Machine</b> .....	
a. Box with Cover .....	Included in Back Panel Assembly
b. Terminal Block 3 Pole .....	2006143
c. Groundscrew #10-24 x 0.50 .....	5202169

# JC0495 REMOTE CONDENSER



## DESCRIPTION

	<b>PART NO.</b>
1 Air Condenser . . . . .	† 8850639
2 Fan Motor (115V/60 Hz/1 Ph) . . . . .	† 7629423
3 Fan Motor Run Capacitor . . . . .	No Longer Available
4 Fan Blade . . . . .	2416113
5 Fan Guard . . . . .	3400643
6 Rain Slinger . . . . .	2415053
7 Head Pressure Control . . . . .	000004070
8 Coupling – Male, 5/8-18 . . . . .	† 8360343
9 Coupling – Male, 1-1/6-12 . . . . .	† 8360353
10 Female Line Set Coupling Kit (Sold as Finished Goods Sales Kit) . . . . .	Sales K0129

## Miscellaneous – Brackets, Screws, etc.

11 Coupling Mounting Flange (for 5/8-18) . . . . .	8360053
12 Coupling Mounting Flange (for 1-1/16-12) . . . . .	8360063
13 Top Cover . . . . .	† 6017751
14 Panel – Side . . . . .	† 6017741
15 Panel – Rear . . . . .	† 6017731
16 Panel – Front . . . . .	† 6017721
17 Fan Motor Mounting Bracket . . . . .	† 6017681
18 Electrical Box Cover . . . . .	† 6017761
19 <b>Fan Motor Mounting Screw</b> (5/16-18 x 5/8) . . . . .	† 5035659
a. Fan Motor Mounting Flatwasher . . . . .	† 5573099
b. Fan Motor Mounting Lockwasher . . . . .	† 5573139
c. Fan Motor Mounting Hexnut . . . . .	5429759
20 <b>Fan Guard Mounting Screw</b> (1/4-20 x 5/8) . . . . .	† 5033459
a. Fan Guard Mounting Flatwasher . . . . .	† 5573049
b. Fan Guard Mounting Lockwasher . . . . .	† 5545119
c. Fan Guard Mounting Hexnut . . . . .	† 5429529
21 <b>Panel/Condenser Mounting Screw</b> (#8 x 1/2) . . . . .	† 5121539
a. Panel/Condenser Mounting Lockwasher . . . . .	† 5544599
22 Screw (#10-24 x 1/2) . . . . .	† 5202069
23 Valve Cores (used in line sets) . . . . .	7626843