



## **Ice Machine Parts List for Series i300 Models**

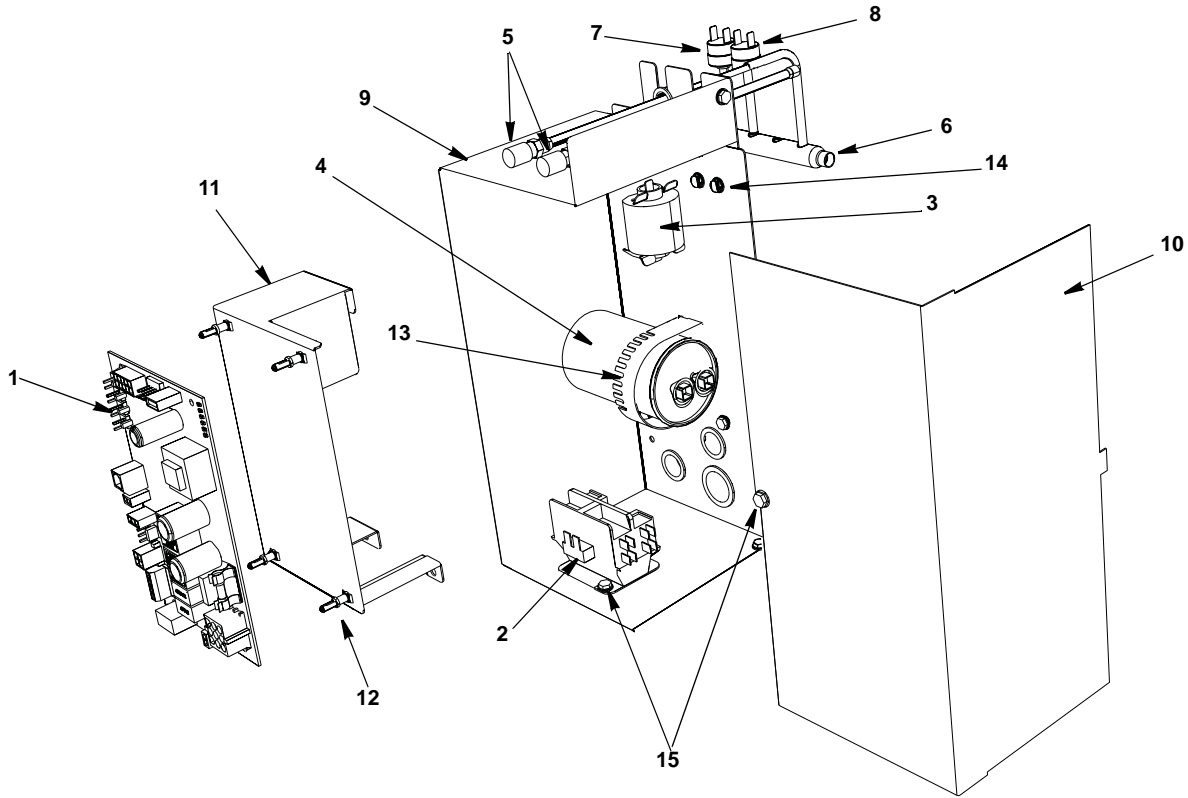
**iD0302A**

**iY0304A**

**iD0303W**

**iY0305W**

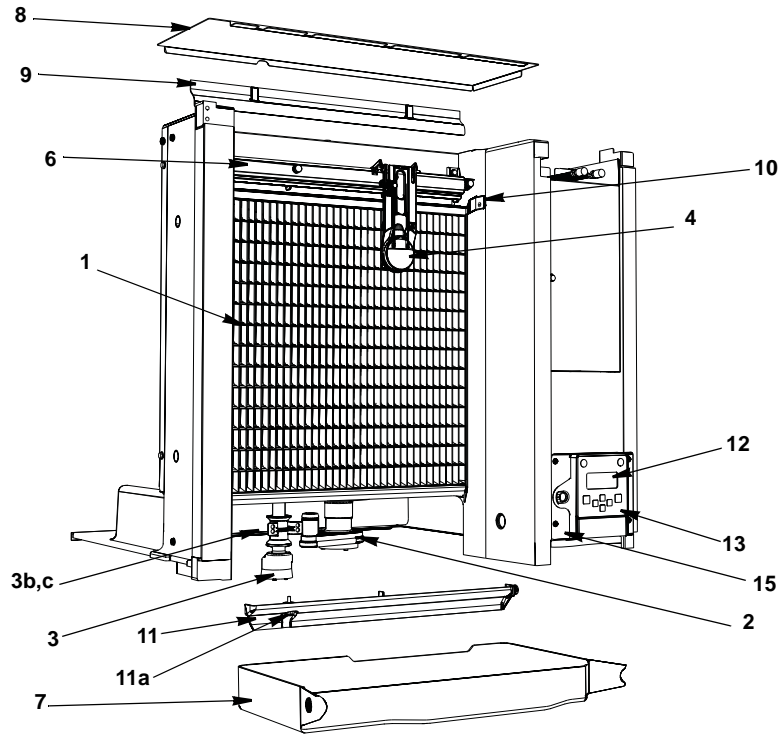
# i300 CONTROL BOX



## DESCRIPTION

	DESCRIPTION		PART NO.
1	Control Board (for use with all voltages) .....		000008309
	a. 8 amp Ceramic Fuse – Mounted on Control Board .....		000009181
2	<b>Contactor</b>		
	a. 115V/60 Hz/1ph .....		2006589
	b. 208-230V/60 Hz/1ph or 230V/50 Hz/1ph .....		2006599
3	<b>PTCR</b>		8505003
	a. Bracket .....		8505023
4	<b>Compressor Run Capacitor</b>		
	a. 115V/60 Hz/1ph .....		2010133
	b. 208-230V/60 Hz/1ph .....		000007675
	c. 208-230V/50 Hz/1ph .....		000007675
5	Refrigeration Service Valve Assembly .....		8373263
6	Manifold Strainer .....		000008364
	a. Bracket .....		6058571
7	High Pressure Cut-out (Auto Reset) .....		2001243
8	Fan Cycling Control .....		† 2001263
	<b>Miscellaneous – Brackets, Screws, etc.</b>		
9	Control Box .....		000008279
10	Control Box Cover .....		000010421
11	Control Board Mounting Bracket .....		000007564
12	Control Board Mounting Supports .....		4302253
13	Capacitor Mounting Strap .....		6024953
14	Screws, #10-24 x 0.50 Ground .....		5202169
	a. Star Washer .....		5573209
15	Screw, #10-24 x 0.50 .....		5202069
16	Lockwashers .....		5573209
17	Control Box Bushings		
	a. Large (1) .....		2500019
	b. Small (4) .....		2501409
18	<b>Control Box Wiring Harness (Not shown)</b>		
	a. 115/60/1 .....		000007696
	b. 230/60/1 .....		000007179
	c. 230/50/1 .....		000007180
19	<b>Compressor Compartment Wiring Harness (Not shown)</b>		
	a. Air-cooled .....		000007185
	b. Water-cooled .....		000007177

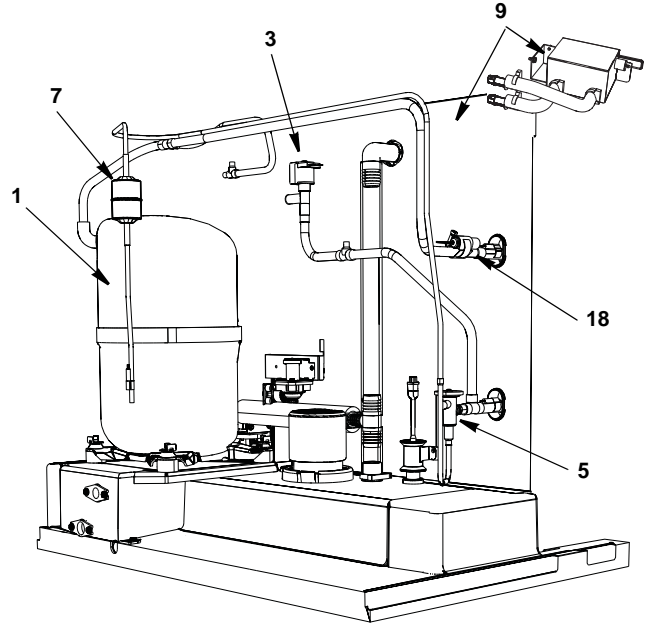
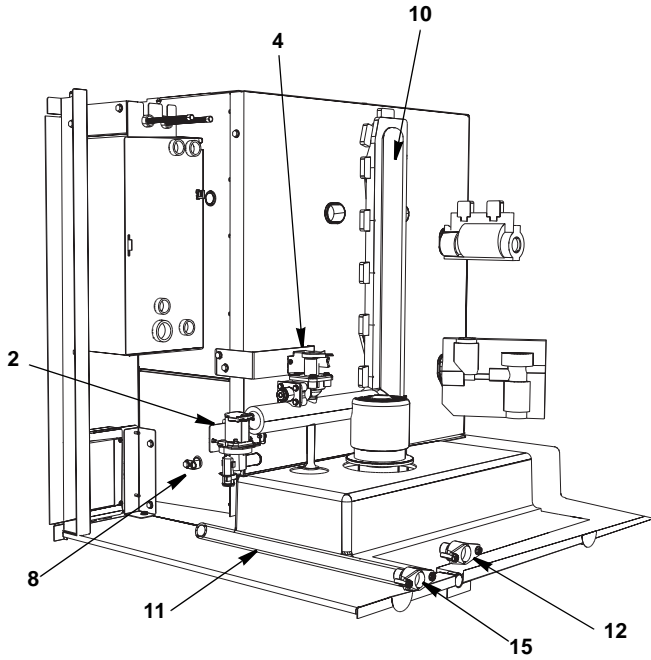
## i300 EVAPORATOR COMPARTMENT - COMMON COMPONENTS



### DESCRIPTION

	DESCRIPTION	PART NO.
1	<b>Evaporator Assembly</b>	
	a. Dice Cube . . . . .	7602699
	b. Half Dice Cube . . . . .	7602709
2	<b>Water Pump</b>	
	a. 115V/60 Hz 1PH . . . . .	2007679
	b. 230V/60 Hz 1/3PH . . . . .	2007659
	c. 230/50 Hz 1PH . . . . .	2007669
3	<b>Water Level Probe.</b>	000007052
	a. Wire, control box to probe (Not shown). . . . .	000007099
	b. Holder . . . . .	000010009
	c. Screw (Mount Water Level Probe Holder) . . . . .	5202099
	d. Bracket . . . . .	000010005
4	Ice Thickness Control Probe. . . . .	000008660
5	Water Curtain (Not shown) . . . . .	4011149
6	Water Distribution Tube Assembly . . . . .	7602193
	a. O-rings (Back of Distribution Assembly) . . . . .	5004649
7	Water Trough . . . . .	000002106
8	Foodzone Seal Panel . . . . .	000009055
9	Evaporator Top Filler Panel	4008469
	a. Stainless Steel Clamp . . . . .	6063339
	b. Clamp Screw. . . . .	5202099
10	Evaporator Top Frame Assembly . . . . .	7602203
11	Water Diverter. . . . .	7602213
	a. Thumbscrew . . . . .	5305123
12	LCD Display . . . . .	000006728
13	Touch Pad with Housing . . . . .	000007926
14	LCD Wiring Harness (Not shown). . . . .	000007828
15	Touch Pad/Housing Mounting Bracket . . . . .	000006697
16	Front Panel LCD Frame	
	a. With Key Guard. . . . .	000006647
	b. Without Key Guard . . . . .	000006564
	c. Display Cover (hides the display completely) . . . . .	K00433
<b>Miscellaneous – Brackets, Screws, etc.</b>		
17	Screw, (Water Distribution Tube Mounting) Each . . . . .	5004799
	a. O-ring . . . . .	5004629
18	Screw, #12-16 x 0.687 Used to Mount Evaporator (Each) . . . . .	5004619
19	Water Pump Base O-ring . . . . .	5004659
20	Water Pump Outlet O-ring . . . . .	5004679

# i300 REFRIGERATION COMPARTMENT – COMMON PARTS



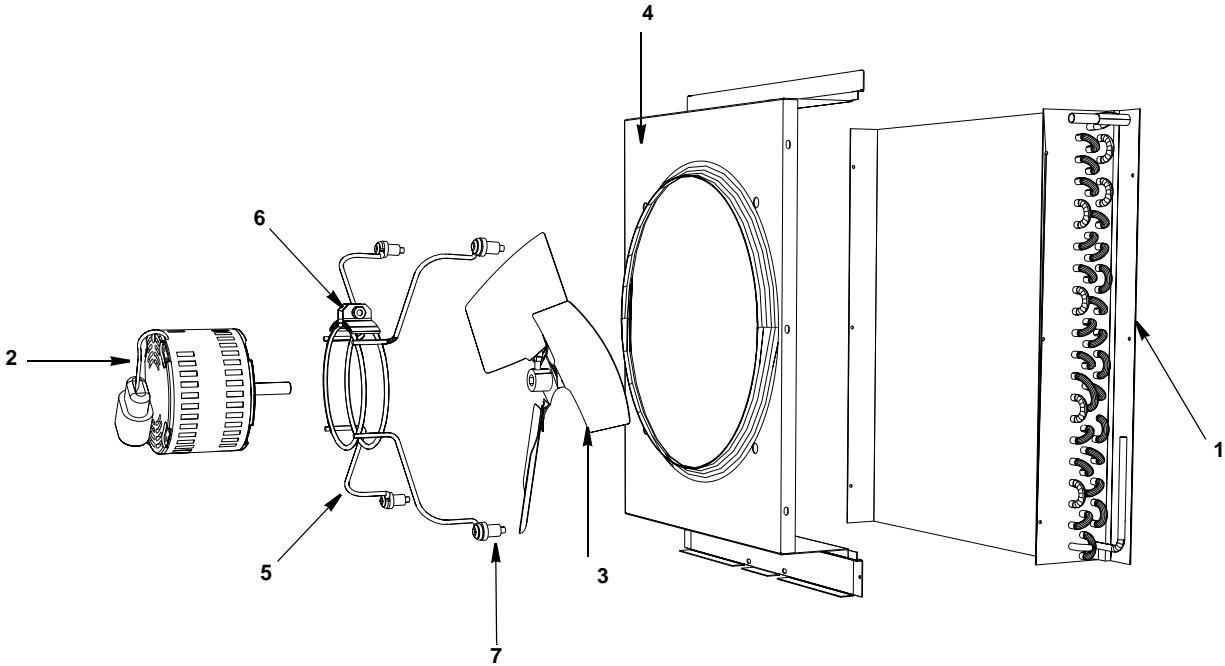
## DESCRIPTION

## PART NO.

<b>1 Compressor</b>		
a. 115V/60 Hz/1 Ph. . . . .		000008737
b. 208-230V/60 Hz/1 Ph. . . . .		000008738
c. 230V/50 Hz/1 Ph. . . . .		000008739
<b>2 Water Dump Valve (with bracket)</b>		
a. 115V/60Hz. . . . .		000001767
a. 208-230V/50-60 Hz. . . . .		000001768
b. Mounting Bracket . . . . .		6058459
c. Dump Valve Tubing 3.25 inches . . . . .		4420383
<b>3 Harvest Valve</b>		
a. Harvest Valve Including 115V/60 Hz Electrical Coil . . . . .		000007029
b. Harvest Valve 115V Coil Only Danfoss . . . . .		000005156
c. Harvest Valve Including 208-230V/50-60 Hz Electrical Coil . . . . .		000007028
d. Harvest Valve 208-230V Coil Only Danfoss . . . . .		000005157
<b>4 Water Inlet Valve</b>		
a. Water Inlet Valve Including 115V/60 Hz Coil. . . . .		000000375
b. Water Inlet Valve Including 208-230V/50-60 Hz Coil . . . . .		000000376
c. Water Inlet Valve Bracket . . . . .		000007594
<b>5 Expansion Valve</b>		
a. Expansion Valve Body Insulation Boot . . . . .		7600173
b. Expansion Valve Bulb Insulation Boot. . . . .		4000363
<b>6 Thermistors with Spring Clips</b>		4007203
<b>7 Drier</b>		000008310
<b>8 Magnetic Bin Switch</b>		8930259
a. Wiring Harness . . . . .		000007888
<b>9 LuminIce</b>		000007410
a. LuminIce Bulb . . . . .		K00424
b. LuminIce Wiring Harness . . . . .		K00425
c. Bulkhead Fitting 2.25" . . . . .		000007409
d. Bulkhead Fitting 2.75" . . . . .		000007990
<b>10 Insulated Tube (vinyl tubing from distribution tube to water pump &amp; dump valve)</b>		000008269
a. Clamp 0.859/0.989 ID. . . . .		000003403
b. Clamp 0.799/0.899 ID. . . . .		5650603
<b>11 Vinyl Tubing 0.625 ID (dump valve to drain adapter)</b>		5650703
a. Insulation. . . . .		000001382
b. Clamp . . . . .		6038831
		5650709
<b>Miscellaneous – Brackets, Screws, etc.</b>		
<b>12 Water Inlet Wing Adapter</b>		8706093
a. Adapter Plastic Fitting . . . . .		1360961
<b>13 Water Inlet Valve Tubing</b>		4010439
<b>14 Connector Water Inlet Valve</b>		1360989
<b>15 Water Drain Wing Adapter</b>		8706133
<b>16 Compressor Mounting</b>		
a. Base . . . . .		6061709
b. Rubber Grommet . . . . .		† 8503069
c. Sleeve . . . . .		8503949
d. Bolt . . . . .		5004819
e. Nut. . . . .		5004829
<b>17 Clamp, Expansion Valve Bulb</b>		5650529
<b>18 Copper Bulb Strap</b>		3000503
<b>19 Screw, #10-24 x 0.50</b>		5202069

† Refer to Cross Reference Guide

## i300 Refrigeration Compartment – Air-cooled



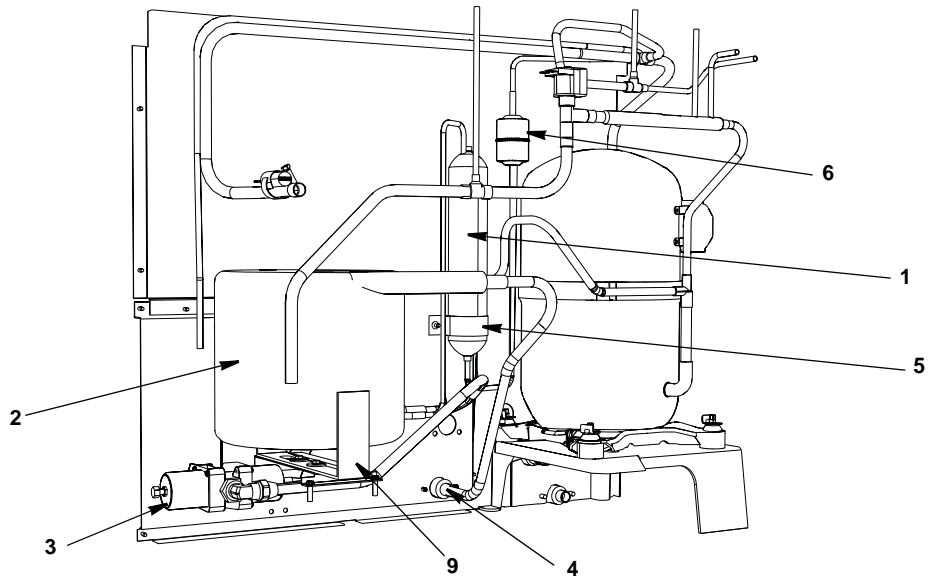
### DESCRIPTION

	DESCRIPTION	PART NO.
1	Air Condenser .....	8851303
2	Fan Motor	
	a. 115V/60 Hz .....	2412813
	b. 208-230V/60 Hz or 230V/50 Hz .....	2412823
3	Fan Blade.....	2416223

### Miscellaneous – Brackets, Screws, etc.

4	Fan Shroud .....	6058399
5	Fan Motor Bracket .....	6027431
6	Fan Motor Mounting	
	a. Screw .....	† 5033589
	b. Lockwasher.....	† 5545109
	c. Hexnut.....	† 5429529
7	Fan Bracket Mounting	
	a. Screw .....	5032389
	b. Lockwasher.....	† 5545109
	c. Flatwasher .....	† 5573059
	d. Rubber Wellnut .....	† 5429559
8	Screw, #10-24 x 0.50 .....	† 5202069

## i300 REFRIGERATION COMPARTMENT – Water-cooled



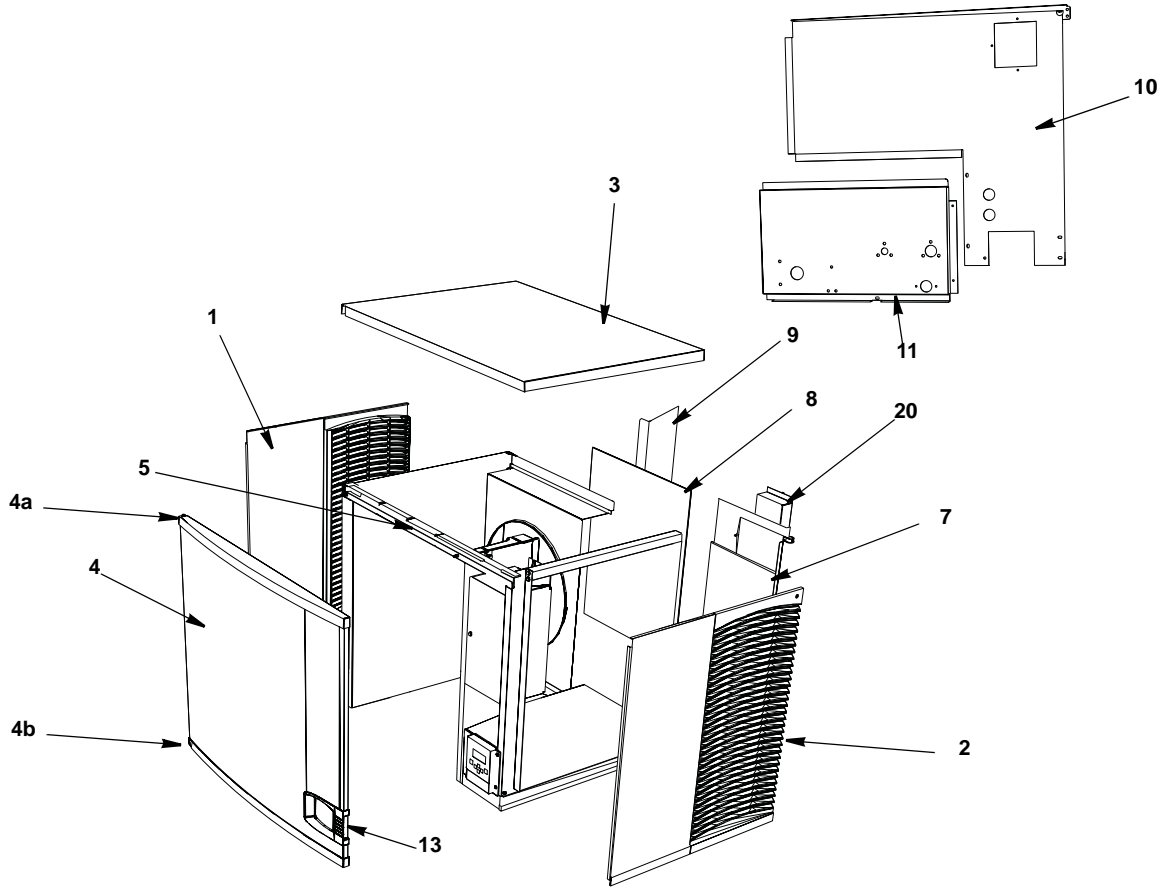
### DESCRIPTION

	<b>PART NO.</b>
1 Receiver . . . . .	000008892
2 Water-cooled Condenser . . . . .	000000045
3 Water Regulating Valve . . . . .	000007546
4 Condenser Water Drain Female Wing Adapter . . . . .	8706083

### Miscellaneous – Brackets, Screws, etc.

5 Receiver Strap . . . . .	6000541
6 Elbow 3/8 MF x 3/8 MPT . . . . .	5002159
7 Screw, #10-24 x 0.50 . . . . .	5202063
8 Washer . . . . .	5573419
9 Base, Water Condenser/Receiver . . . . .	6058659

# i300 PANELS



**DESCRIPTION**

	<b>DESCRIPTION</b>	<b>PART NO.</b>
1	Left Side Panel .....	00005211
2	Right Side Panel .....	00005209
3	Top Cover .....	00006699
4	Front Panel Assembly .....	00006576
	a. Top Endcap .....	00006538
	b. Bottom Endcap .....	00006539
5	Front Top Support .....	00010051
	Mounting Screw Left Side 8-32 x 1 .....	5005379
	Mounting Screw Right Side 10-24 x 0.50 .....	5005099
6	Back Coupling Panel, Drain/Water Connection (Compressor Base) .....	6061709
<b>Air-cooled Back Panels</b>		
7	Back Panel with Electrical Connection Box, Air-cooled Models .....	00008035
8	Air Filter .....	3005693
9	Air Baffle Assembly .....	00007676
<b>Water-cooled &amp; Remote Air-cooled Back Panels</b>		
10	Back Panel with Electrical Connection Box .....	00008036
11	Back Coupling Panel, Water-cooled/Remote Connections .....	6061739
12	Drain Fitting .....	8706083
<b>Miscellaneous – Brackets, Screws, etc.</b>		
13	Front Panel LCD Frame .....	
	a. With Key Guard .....	00006647
	b. Without Key Guard .....	00006564
	c. Display Cover (hides the display completely) .....	K00433
14	Door Screw .....	5004899
15	Bottom Door Frame .....	7602263
	a. Mounting Screw Left Side 8-32 x 1 PHIL .....	5005379
	b. Mounting Screw Right Side 10-24 x 0.50 PHIL .....	5202099
16	Left Door Pivot Leaf Hinge (Top or Bottom) .....	3005579
	a. Mounting Screw 8-32 x 1 PHIL .....	5005379
17	Left Top Channel .....	6068649
18	Right Top Channel .....	6062579
19	Left Corner Post .....	6058379
20	Electrical Box on Rear of Ice Machine .....	
	a. Box with Cover .....	Included in Back Panel Assembly
	b. Terminal Block 3 Pole .....	2006143
	c. Groundscrew #10-24 x 0.50 .....	5202169

**INTENTIONALLY LEFT BLANK**