

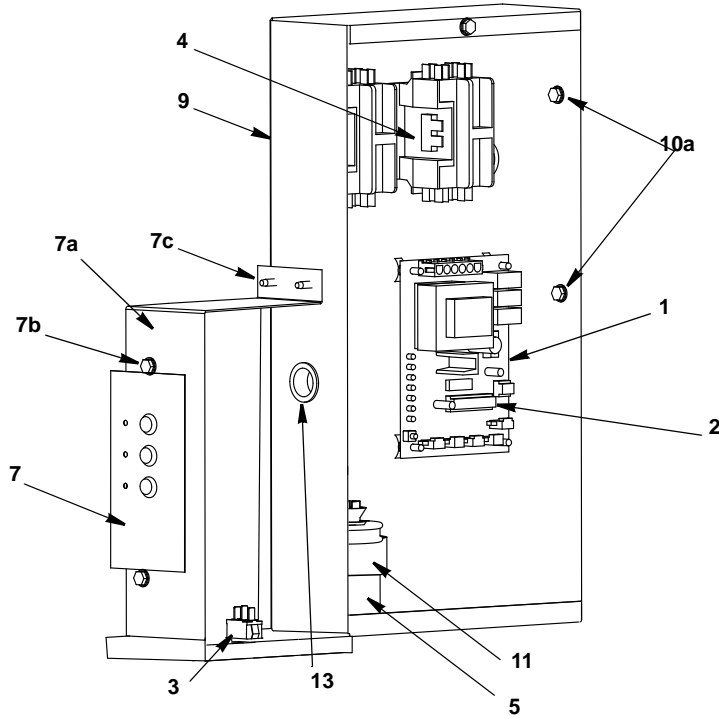


**Ice Machine Part List for
SN Series CounterTop Models**

SN012A

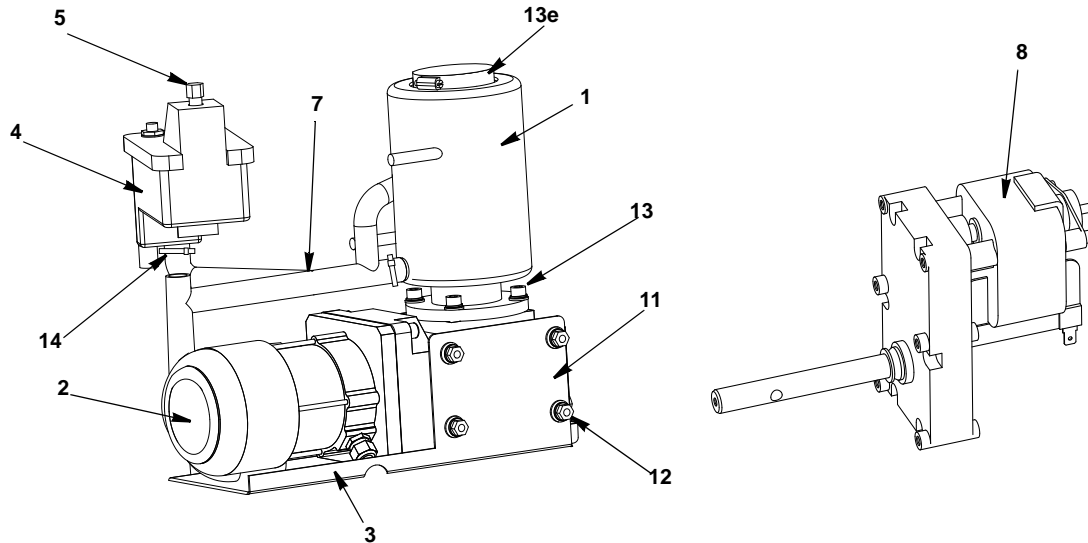
SN020A

SN012 SN020 CONTROL BOX



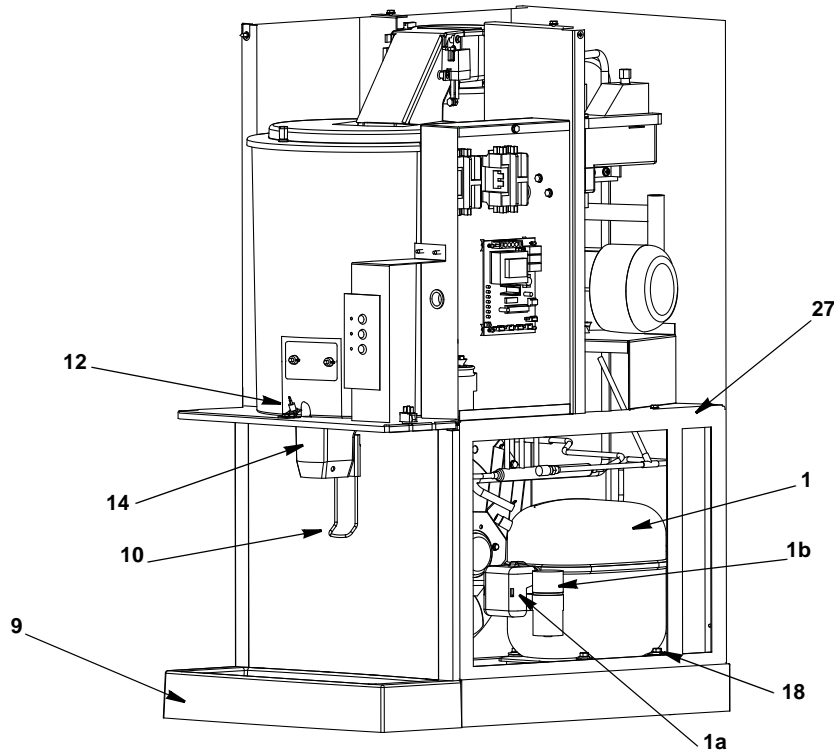
DESCRIPTION	PART NUMBER
1 Control Board (for use with all voltages)	000001238
a. Supports	43-0225-3
2 10 amp Fuse – Mounted on Control Board (Not shown)	25-1149-3
3 Toggle Switch	20-0793-9
a. Toggle Switch Wiring Harness	20-0987-3
4 Contactor	
a. 115V/60 Hz/1 ph	20-0658-9
b. 230V/50-60 Hz/1 ph	20-0659-9
5 Run Capacitor (for gear motor)	
a. 115V/60 Hz/1 ph	20-1002-3
b. 230V/50 Hz/1 ph	20-1003-3
6 Wiring Harness (Not shown)	20-0971-3
7 Selector Switch	20-0952-3
a. Bracket	606722-1
b. Screw (12-16 x 0.5) Mounts Selector Switch to Bracket	50-1231-9
c. Screw (10-24 x 0.5) Mounts Bracket to Control Box	52-0206-9
d. Wiring Harness - Selector Switch	20-0972-3
8 Touch Less Dispensing	
8a Control Board 115V	000000308
a. Control Board 230V	000000186
b. Control Board Support	000000187
8b Sensor Block Assembly	000008173
c. Bracket	000000185
d. Screw	000000332
8c Mylar Shield	000000580
8d Wiring Harness	000000310
Miscellaneous – Brackets, Screws, etc.	
9 Control Box	606598-1
10 Control Box Cover (Not shown)	000000734
a. Screw	52-0206-9
11 Capacitor Mounting Strap	602495-3
12 Screw (10-24 x 3/8) Mounts Contactor	52-0210-9
13 Bushing (Side of Control Box)	25-0140-9
14 Bushing (Bottom of Control Box)	25-0013-9

SN012 SN020 EVAPORATOR ASSEMBLY



	DESCRIPTION	PART NUMBER
1	Evaporator Assembly	
	a. Entire Evaporator Assembly	30-0619-3
	b. Cutter Head/Upper Bearing Assembly	000004018
2	Gear Box/Motor Assembly	
	a. 115/60/1	20-0862-3
	b. 230/50/1	20-0888-3
3	Drain Pan	40-1541-3
4	Float Chamber Assembly (includes float, switch, cover & housing)	000006516
	a. Float Switch Only	20-0863-3
	b. Float Chamber Only	000006515
5	Compression Nut	56-5072-9
6	Water Inlet Valve	
	a. 115/60/1	20-0909-3
	b. 230/50/1	20-0910-3
	c. Elbow 3/8 x 1/4	50-0294-3
7	Molded Vinyl Tube	40-1467-3
8	Dispenser Motor	
	a. 115/60/1	000002191
	b. 230/50/1	000002192
	Miscellaneous – Brackets, Screws, etc.	
9	Dispenser Motor	
	a. Bracket	000007423
	b. Screw	50-0338-3
	c. Lockwasher	55-7320-9
10	Float Valve Bracket	606610-1
	a. Screw	52-0206-9
	b. Nut	56-5072-9
11	Gear Motor Bracket	000006717
12	Evaporator Mounting to Bracket	
	a. Bracket	606920-1
	b. Bolt	50-0542-3
	c. Flatwasher	55-7305-9
	d. Lockwasher	55-7313-9
13	Evaporator Mounting to Gear Motor	
	a. Bolt	50-0565-3
	b. Flatwasher	50-0566-3
	c. Lockwasher	50-0567-3
	d. Screw	52-0206-9
	e. O-Ring	000005183
14	Molded Vinyl Tube Clamps	56-5064-9

SN012 SN020 REFRIGERATION COMPARTMENT



DESCRIPTION

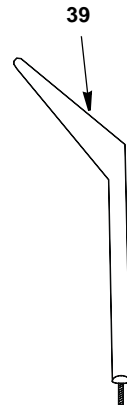
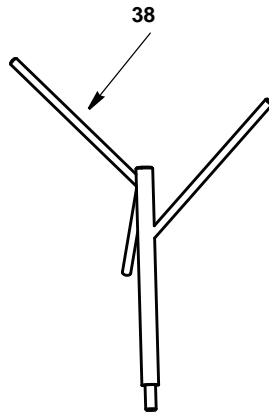
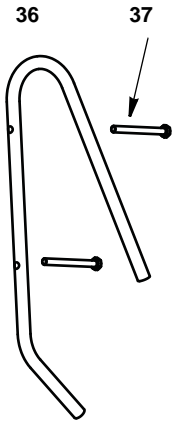
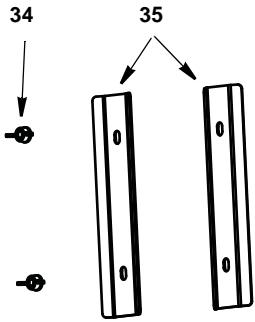
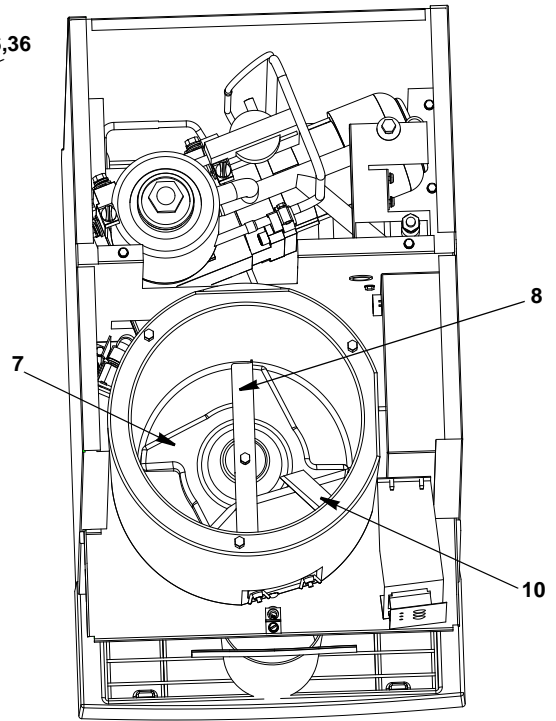
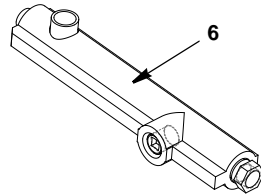
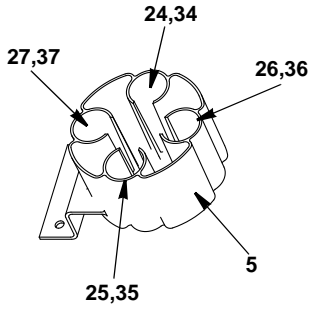
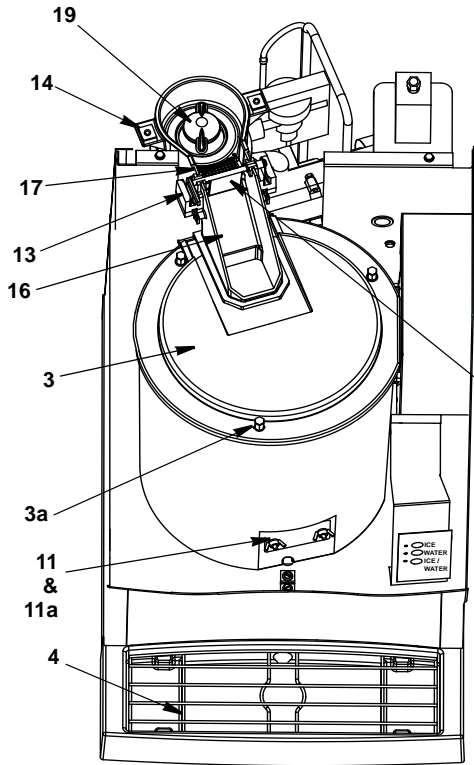
PART NUMBER

1	Compressor	
	115V/60 Hz/1 ph	76-0134-3
	a. Start Relay/Overload Assembly	82-5103-3
	b. Start Capacitor	82-5102-3
	230V/50 Hz/1 ph	76-0135-3
	a. Start Relay/Overload Assembly	20-0224-3
	b. Start Capacitor	85-0443-3
2	Water Dump Valve	
	a. Dump Valve 120V/60 Hz/1 ph	000007429
	b. Dump Valve 230V/50-60 Hz	000007428
3	Expansion Valve	000000735
4	Expansion Valve Body Insulation Boot	40-0040-3
5	Expansion Valve Bulb Insulation Boot	40-0092-3
	a. Copper Expansion Valve Bulb Strap	30-0083-3
	b. Clamp	† 56-5052-9
6	High Pressure Control	† 20-0124-3
7	Manifold Strainer	83-1016-3
8	Liquid Line Drier	89-3025-9
9	Drain Tray	40-1342-3
10	Dispenser Arm	40-1478-3
11	Lever Pivot Bracket	606863-1
12	LED Bulb Holder (when used)	607298-1
13	Blue LED Light	20-0946-3
14	Ice Dispense Chute	000002247
15	Momentary Switch	20-0945-3
16	Mylar Shield (between momentary switch and dispensing motor)	000000083

Miscellaneous – Brackets, Screws, etc.

17	Access Valves	83-7325-3
18	Compressor Mounting	
	a. Grommet	50-0089-9
	b. Screw	50-0093-9
	c. Sleeve	50-0090-9
	d. Washer	50-0097-9
	e. Bushing	25-1204-3
19	Water Inlet Female Wing Adapter	† 87-0609-3
	a. Screw	† 52-0206-9
20	Swivel Tee Male	20-0948-3
21	Water Inlet Tubing 1/4" (Not shown)	44-2029-1
22	Water Inlet tubing insulation (Not shown)	603908-1
23	Power Cord Bushing	25-0013-9
24	Strain Relief	25-1204-3
	a. Power Cord 115/60/1	000000081
	b. Power Cord 230/50/1	000000082
25	Water Dump Valve Bracket	606624-1
	a. Screw	52-0232-9
26	Drain Tray	
	a. Vinyl Tube	40-1585-3
	b. Clamp	56-5066-3
27	Support Bracket	000006716

SN012 SN020 REFRIGERATION COMPARTMENT (CONTINUED)



DESCRIPTION	PART NUMBER
1 Bin Liner	
a. SN012	40-1331-3
b. SN020	40-1502-3
2 Bottom Adapter (1/2 N.P.T. x 1/2 Barbed) Not Shown	50-0562-3
3 Cover	40-1445-3
a. Thumbscrew	53-0512-3
4 Grill	30-0657-3
5 Four into One Drain	40-1507-3
a. Screw	52-0206-9
6 Interchangeable Drain Tube	607202-1
7 Dispense Wheel	000002201
a. Thumbscrew	50-0552-3
8 Agitator Bar	000002203
a. Washer (white)	000000325
b. O-ring	000002243
9 Drive Pin (not shown)	50-0582-3
10 Ice Deflector	40-1553-3
11 Support Plate	606903-1
a. Wingnut	50-0550-3
12 Hall Effect Switch with Wiring	20-0979-3
13 Hall Effect Switch Housing	20-0980-3
a. Screw	51-2162-9
14 Receptacle	56-5085-3
a. Winghead	50-0045-3
15 Damper Door	40-1444-3
16 Ice Chute	40-1336-3
17 Strainer Ramp	40-1488-3
18 Chute Cover (clear plastic)	40-1346-3
19 Ice Wiper	000002062
20 Thumbscrew (SN012 Only)	50-0552-3
21 Dispenser Motor	
a. 115/60/1	000002191
b. 230/50/1	000002192
c. Thumbscrew - Required when 8-32 thread motor is replaced with 1/4" thread motor	000002245
d. Washer (white) - Required when 8-32 thread motor is replaced with 1/4" thread motor	000000325

NOTE:The Dispense Wheel (#7) and the Agitator Bar (#8) will need to be drilled out to 1/4" when 8-32 motor is replaced with the 1/4" motor.

Miscellaneous – Brackets, Screws, etc.

22 Secure Ice Chute to Evaporator	
a. Clamp Assembly	000000464
23 Secure Dispenser Motor to Bin	
a. Lockwasher	55-7320-9
b. Screw	52-0206-9

SN012 Tubing (four in one drain)

24 Condensate Drain 16"	44-2038-3
25 Dump Valve 17"	44-2038-3
26 Float Overflow	40-1576-3
27 Bin Drain 11.5"	44-2038-3
28 Hose Clamp	56-5060-9

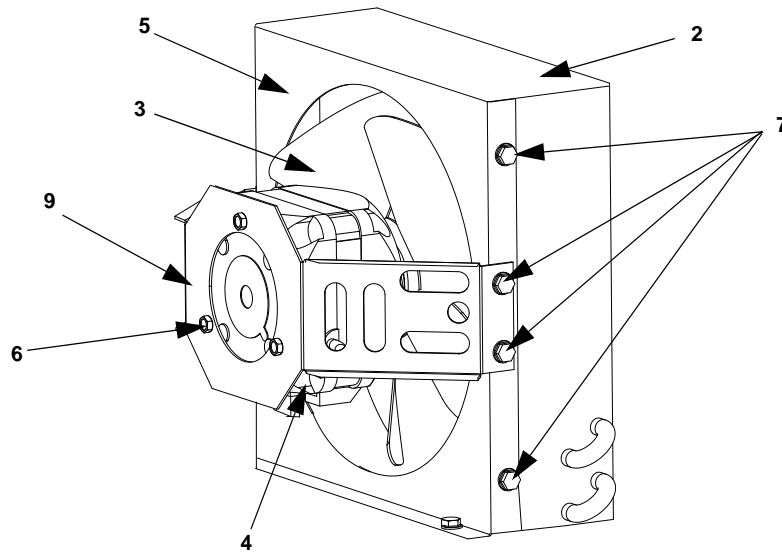
SN020 Tubing (four in one drain)

29 Condensate Drain 23"	40-2038-3
30 Dump Valve 24.75"	44-2038-3
31 Float Overflow	40-1594-3
32 Bin Drain 11.5"	44-2038-3
33 Hose Clamp	56-5060-9

SN020 Model Only

34 Wingnut	50-0550-3
35 Ice Breaker Mounting Bracket (1 piece)	000002198
36 Ice Breaker	000002197
37 Mounting Bolts	000002244
38 Upright Agitator Bar	000002196
39 Upright Agitator Bar - Obsolete - Replaced by Kit	
a. 115v/60hz/1ph	000002776
b. 230v/60hz/1ph	000002777

SN012 SN020 REFRIGERATION COMPARTMENT – AIR-COOLED



DESCRIPTION

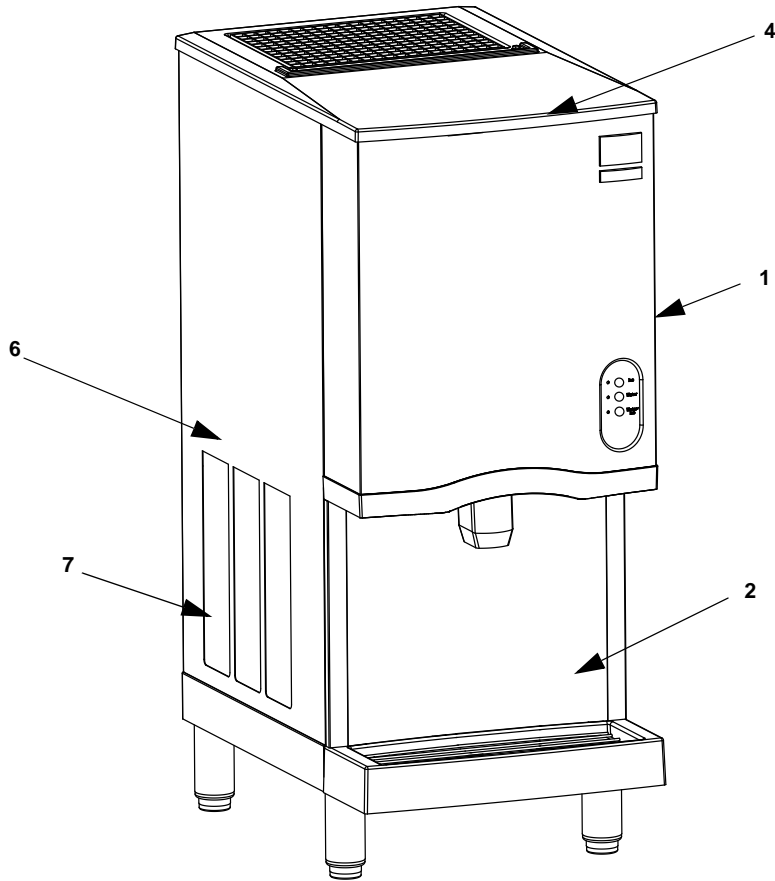
PART NUMBER

1	Compressor (Refer to COMMON PARTS PAGE).....	Page 4
2	Air Condenser.....	82-5285-9
3	Fan Blade.....	24-1622-3
4	Fan Motor	
	a. 115V/1 ph/60 Hz.....	000006656
	b. 208-230V/60 Hz or 230V/50 Hz.....	24-1282-3

Miscellaneous – Brackets, Screws, etc.

5	Fan Shroud.....	606580-1
6	Fan Bracket Mounting Screw.....	50-0551-3
7	Fan Motor Mounting Screw.....	52-0206-9
8	Speed Nut (Fan Blade Mounting).....	† 54-7507-9
9	Fan Motor Bracket.....	000000409

SN012 SN020 PANELS



DESCRIPTION

PART NUMBER

1	Front Panel Assembly	
	a. SN012.....	606824-1
	b. SN020.....	607080-1
2	Lower Front Panel (Lever Activated)	606848-1
2a	Lower Front Panel (Touchless)	000000114
	a. Front Panel Label	000000645
	b. Lower Front Panel Touchless Assembly 115v/60hz/1ph.....	000000338
	c. Lower Front Panel Touchless Assembly 230v/50hz/1ph	000000383
3	Air Filter	82-5171-3
4	Top Cover.....	40-1446-3
5	Back Panel.....	606815-1
6	Right Side Panel (non-louvered)	
	a. SN012.....	607020-1
	b. SN020.....	607082-1
7	Left Side Panel (louvered)	
	a. SN012.....	607019-1
	b. SN020.....	607129-1

Miscellaneous – Brackets, Screws, etc.

8	Screws, #10-24 x .50 (mounts back panel)	† 52-0206-9
9	Thumbscrew (Top Cover).....	000000458
10	Side Panel Screws.....	50-0557-3
11	Side Panel Nuts	000000741
12	Front Panel Screws (inside).....	50-1234-9
13	Air Filter Screws	52-0209-9
14	Front Panel Top End Cap.....	40-1470-3
15	Top Cap Screws.....	50-1234-9