



Ice Machine Parts List for Series S450 Models

SD0452A

SY0454A

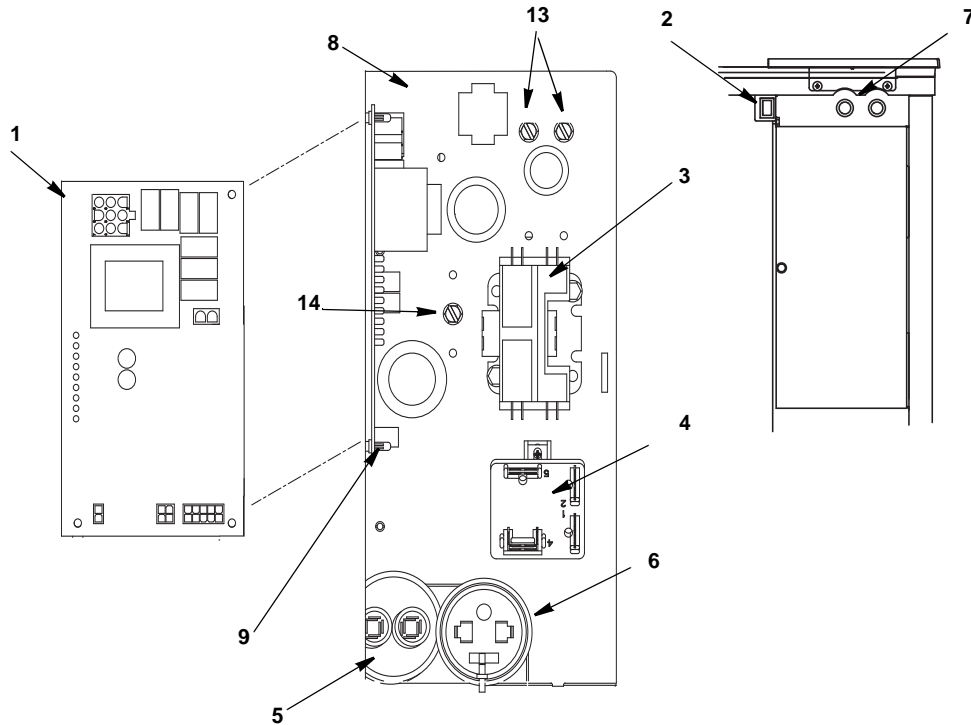
SD0453W

SY0455W

SR0450A

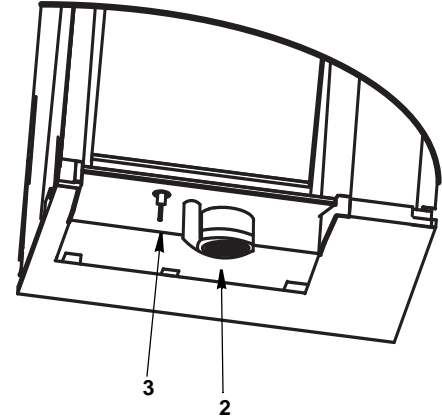
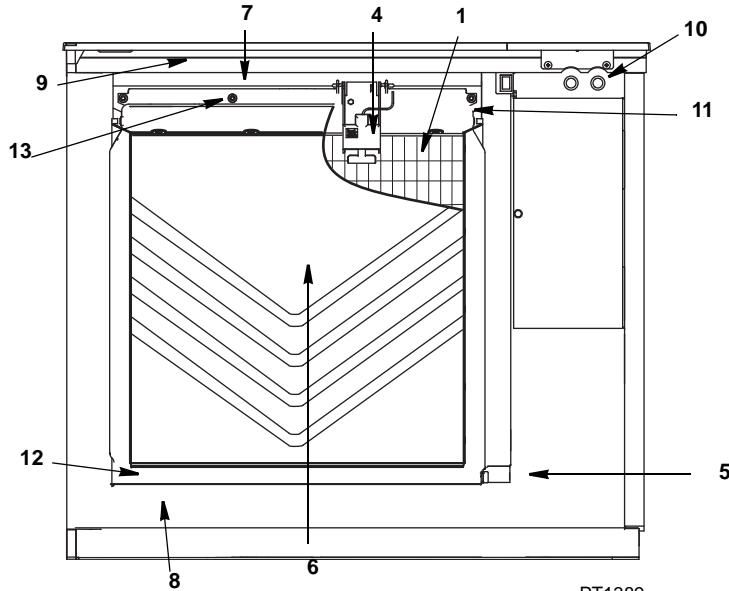
SR0451W

S450 CONTROL BOX



1	Control Board (for use with all voltages)	20-0619-9
	a. 7 Amp Fuse – Mounted on Control Board	25-1100-3
2	Toggle Switch Only	20-0793-9
	a. Toggle Switch Wiring Harness	20-0807-9
	b. Toggle Switch Box	40-1163-9
3	Contactor	
	a. 115V/60 Hz/1 Ph.	20-0658-9
	b. 208-230V/60 Hz/1 Ph 230V/50 Hz/1 Ph	20-0659-9
4	Potential Start Relay	
	115V/60 Hz/1 Ph.	20-0205-3
	208-230V/50/60 Hz/1 Ph	20-0792-9
	a. 60 cycle Only - Danfoss SC18MLX.3 - Before Serial Number 110667970	20-0763-9
5	Compressor Run Capacitor	
	115V/60 Hz/1 Ph.	20-1014-3
	208-230V/50/60 Hz/1 Ph	
	a. Danfoss SC15MLX.2 - Before Serial Number 110667970	85-0400-3
	b. Danfoss SC18MLX.3 - Before Serial Number 110667970	20-0949-3
	c. After Serial Number 110667970	85-0400-3
6	Start Capacitor	
	115V/60 Hz/1 Ph.	85-0577-3
	208-230V/50/60 Hz/1 Ph	
	a. Danfoss SC15MLX.2 - Before Serial Number 110667970	85-0370-3
	b. Danfoss SC18MLX.3 - Before Serial Number 110667970	000000022
	c. After Serial Number 110667970	85-0383-3
7	Refrigeration Service Valve Assembly	83-7326-3
Miscellaneous – Brackets, Screws, etc.		
8	Control Box (Not shown)	606390-9
	a. Control Box Cover (Not shown)	76-0215-3
9	Control Board Mounting Supports (Not shown)	43-0225-3
10	Control Board Bushings	25-0016-9
11	Start Components Electrical Box	606394-9
	a. Start Components Electrical Box Cover	76-0272-9
12	Capacitor Mounting Strap	50-0530-9
13	Screw, #10-24 x .50 Ground.	52-0216-9
	a. Star Washer	55-7320-9
14	Screw, #10-24 x .50	52-0206-9
15	Control Box Wiring Harness (Not shown)	
	a. 115/60/1	20-0859-9
	b. 230/60/1	20-0860-9
	c. 230/50/1	20-0861-9

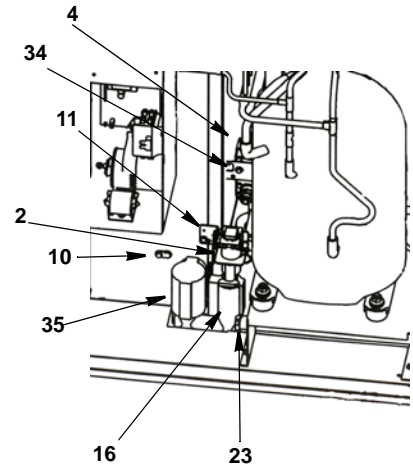
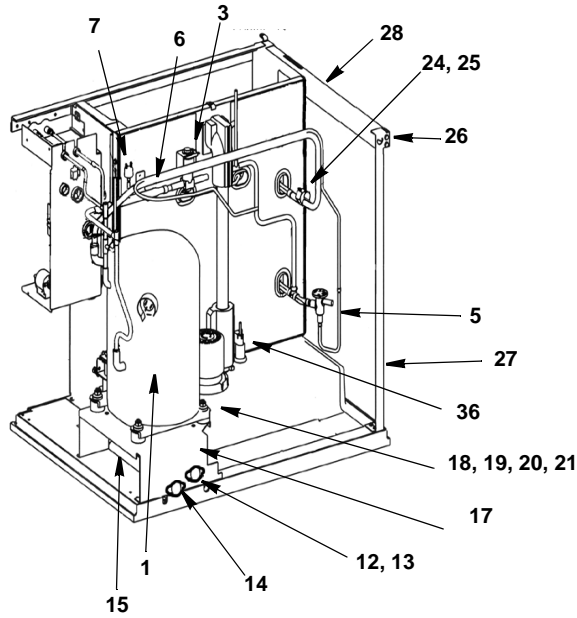
S450 EVAPORATOR COMPARTMENT



DESCRIPTION

	PART NO.
1 Evaporator Assembly	
a. Dice Cube	76-0287-9
b. Half Dice Cube	76-0288-9
2 Water Pump	
a. 115V/60/1 PH	20-0892-9
b. 230V/60/1 PH	20-0893-9
c. 230V/50/1 PH	20-0894-9
3 Water Level Probe	20-0654-9
a. Wire, control box to probe	20-0798-9
4 Ice Thickness Control Probe	20-0802-9
5 Magnetic Bin Switch	20-0681-9
6 Water Curtain	40-1118-9
7 Water Distribution Assembly	76-0278-9
a. O-Rings (Back of Distribution Assembly)	50-0464-9
8 Water Trough	
a. Before Serial Number 110670157	40-0360-9
b. After Serial Number 110670157	000002106
9 Evaporator Top Filler Panel	40-0846-9
a. Filler Panel Bracket	606333-9
b. Bracket Screw	52-0209-9
10 Access Valve	83-7326-3
11 Evaporator Top Frame Assembly	76-0279-9
12 Water Diverter	76-0277-9
a. Thumbscrew	53-0512-3
Miscellaneous – Brackets, Screws, etc.	
13 Screw, (Water Distribution Tube Mounting) Each	50-0479-9
a. O-Ring	50-0462-9
14 Screw, #12-16 x .687 (Used to Mount Evaporator) Each	50-0461-9
15 Water Pump Base O-Ring	50-0465-9
16 Water Pump Outlet O-Ring	50-0467-9
17 Vinyl Tubing 0.625 ID (dump valve to drain adapter)	000001382
a. Insulation	603883-1

S450 REFRIGERATION COMPARTMENT – COMMON PARTS



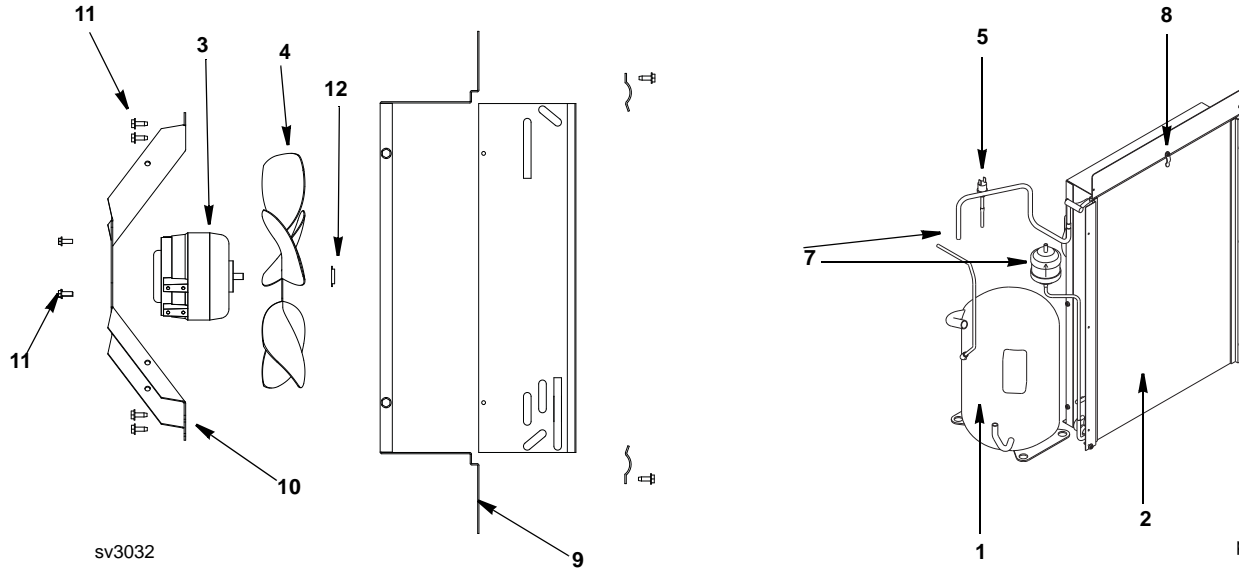
DESCRIPTION

		PART NO.
1	Compressor	
	115V/60 Hz/1 Ph	
	a. Before Serial Number 110670157	76-0294-3
	Overload	82-5297-3
	b. After Serial Number 110670157	000003919
	Overload	82-5140-3
	208-230V/60 Hz/1 Ph	
	a. Before Serial Number 110670157	76-0295-3
	b. After Serial Number 110670157	000003920
	208-230V/50 Hz/1 Ph	
	a. Before Serial Number 110670157	76-0296-3
	b. After Serial Number 110670157	000003920
2	Water Dump Valve	
	a. 115V/60 Hz	000001767
	b. 208-230V/50-60 Hz	000001768
	Dump Valve Rebuild Kit	No Longer Available
3	Harvest Valve Including Electrical Coil	
	a. 115V/60 Hz	76-3001-1
	b. 208-230V/50-60 Hz	76-3007-1
	Harvest Valve Coil Only	
	a. 115V/60 Hz	000005156
	b. 208-230V/50-60 Hz	000005157
4	Water Inlet Valve with Coil	
	a. 115V/60 Hz	000007965
	b. 208-230V/50/60 Hz	000007966
5	Expansion Valve	
	a. Before Serial Number 110670157	76-0286-9
	b. After Serial Number 110670157	76-0290-3
	c. Expansion Valve Body Insulation Boot	40-1329-9
	d. Expansion Valve Bulb Insulation Boot	40-0720-3
6	Manifold Strainer (in front of hot gas valve)	82-5100-3
7	High Pressure Cut-out (Auto Reset)	20-0124-3
8	Electrical Box on Rear of Ice Machine	
	a. Box	Included in Back Panel Assembly
	b. Terminal Block 3 Pole	20-0614-3
	c. Groundscrew #10-24 x .50	52-0216-9
9	Compressor Compartment Wiring Harness	
	a. Water	20-0732-9
	b. Air	20-0731-9
10	Bin Switch	20-0681-9

Miscellaneous – Brackets, Screws, etc.

11	Dump Valve Mounting Bracket	605845-9
12	Water Inlet Valve Wing Adapter	87-0609-3
13	Water Inlet Valve Wing Adapter Plastic Fitting	13-6096-1
14	Water Drain Female Wing Adapter	87-0608-3
15	Water Drain Clear Tubing, .625 ID x 12 inches	44-2038-3
16	Dump Valve Tubing (3.25 inches)	44-2038-3
17	Compressor Mounting Base	606170-9
18	Compressor Mounting Rubber Grommet	50-0089-9
19	Compressor Mounting Sleeve	50-0090-9
20	Compressor Mounting Screw 1/4-20 x 1 1/4	50-0499-9
21	Compressor Mounting Nut	50-0500-9
22	Compressor Wiring Harness (Not Shown)	20-0855-9
23	Clamp, Water Drain	56-5070-9
24	Clamp, Expansion Valve Bulb	56-5052-9
25	Copper Bulb Strap	30-0083-3
26	Screw, #10-24 x .50	52-0206-9
27	Left Corner Post	
	a. Air	606190-9
	b. Water	606293-9
28	Left Top Channel	606864-9
29	Right Corner Post (Not Shown)	606292-9
30	Right Top Channel (Not Shown)	606257-9
31	Insulated Tube (vinyl tubing from distribution tube to water pump & dump valve)	000003405
	a. Clamp .859/.989 ID	56-5060-3
	b. Clamp .799/.899 ID	56-5070-3
32	Water Inlet Valve Tubing (Not Shown)	40-1043-9
33	Connector (Water inlet valve)	13-6098-9
34	Water Inlet Valve Bracket	605845-9
35	Check Valve Replacement (includes water diverter, vinyl tubing & insulation)	000002472
36	Holder, Water Level Probe	20-0655-9
	a. Screw (mounts Water Level Probe Holder)	52-0206-9

S450 REFRIGERATION COMPARTMENT – AIR-COOLED



sv3032

pt1199

DESCRIPTION

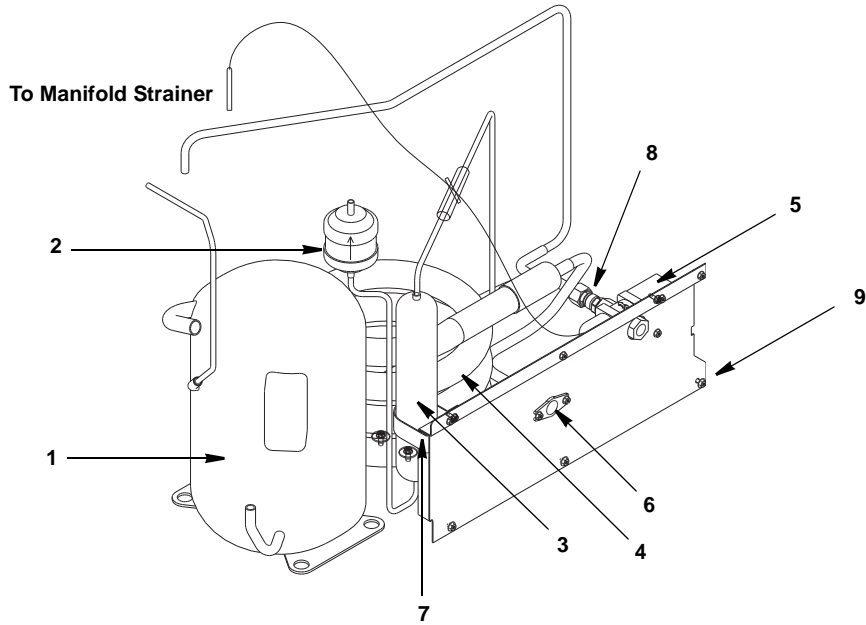
	DESCRIPTION	PART NO.
1	Compressor (Refer to COMMON PARTS Page)	Page S450-4
2	Air Condenser	82-5212-9
3	Fan Motor	
	a. 115V/60 Hz	24-1292-9
	b. 208-230V/60 Hz or 230V/50 Hz.	24-1293-9
4	Fan Blade	24-1620-3
5	Fan Cycling Control	† 20-0126-3
6	Air Filter (Not shown)	30-0593-3
7	Drier	89-3025-9

Miscellaneous – Brackets, Screws, etc.

8	Air Filter Clip	† 56-5069-9
9	Fan Shroud	606168-9
10	Fan Motor Mounting Bracket	606186-9
11	Screw, #10-24 x .50	† 52-0206-9
12	Hex Nut #8-32	54-2913-9

† Refer to Cross Reference Guide

S450 REFRIGERATION COMPARTMENT – WATER-COOLED



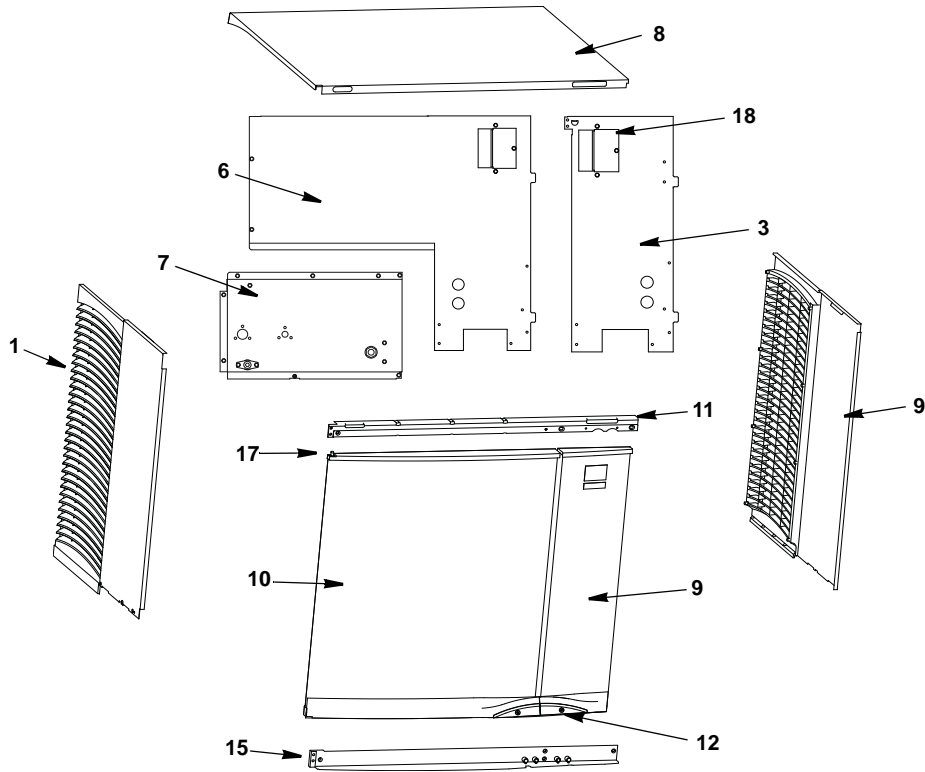
DESCRIPTION

DESCRIPTION	PART NO.
1 Compressor (Refer to COMMON PARTS Page)	Page S450-4
2 Drier	89-3025-9
3 Receiver	12-0003-1
4 Water-cooled Condenser	000000046
5 Water Regulating Valve	83-7206-9
6 Water Drain Female Wing Adapter	87-0610-3

Miscellaneous – Brackets, Screws, etc.

7 Receiver Strap	600054-1
8 Elbow 3/8 MF x 3/8 MPT	50-0215-9
9 Screw, #10-24 x .50	52-0206-3
10 Washer	55-7341-9
11 Base, Water Condenser/Receiver	605865-9

S450 PANELS



DESCRIPTION

	PART NO.
1 Left Side Panel	606053-9
2 Right Side Panel	606052-9
Air-Cooled Back Panels	
3 Back Panel with Electrical Connection Box, Air-cooled Models	606203-9
4 Air Filter (Not Shown)	30-0593-9
5 Air Baffle (Not Shown)	606077-9
Water-Cooled Back Panels	
6 Back Panel with Electrical Connection Box, Water-cooled Models	606297-9
7 Back Coupling Panel, Water Connections	606173-9
Aluminum Front Top Support on machine (replace all)	
8 Top Cover	000006699
9 Right Door	607166-1
10 Left Door	607165-1
11 Front Top Rail	000000295
Mounting Screw Left Side 8-32 x 1	50-0537-9
Mounting Screw Right Side 10-24 x .50	50-0509-9
Plastic Front Top Support on machine (replace as needed)	
8 Top Cover	000006699
9 Right Door	607166-1
10 Left Door	607165-1
11 Front Top Rail	000000295
Mounting Screw Left Side 8-32 x 1	50-0537-9
Mounting Screw Right Side 10-24 x .50	50-0509-9
Miscellaneous – Brackets, Screws, etc.	
12 Right/Left Door Screw	50-0489-9
13 Left Door Endcaps	
a. Top	40-1511-3
b. Bottom	40-1512-3
14 Right Door Endcaps	
a. Top	40-1514-3
b. Bottom	40-1515-3
15 Bottom Door Frame (Not Shown)	76-0226-3
a. Mounting Screw Left Side 8-32 x 1	50-0537-9
b. Mounting Screw Right Side 10 x 24 x .50 PHIL	52-0206-9
16 Door Catch Bracket (RHD)	606236-9
a. Mounting Screw 8-32 x .50 Phil	50-2624-9
17 Left Door Pivot Leaf Hinge (Top or Bottom)	30-0557-9
a. Mounting Screw 10-24 x .5 TCS-23 PHIL/FL	50-0537-9
18 Electrical Connection Box Cover	Included in Back Panel Assembly
19 Sachet Holder (Not Shown - Inside Left Door)	40-0459-3
a. Mounting Screws 8-32 x 3/8	50-0479-3
20 Top Air Discharge Kit Option (replaces standard top and side panels to discharge air out of top of machine)	K00379
a. Top Cover Only	000000480
b. Left Side Panel Only	606675-1
c. Right Side Panel Only	606676-1
d. Screws 10-24 x 1/2	52-0209-9