



## **Ice Machine Parts List for Series S1200 Models**

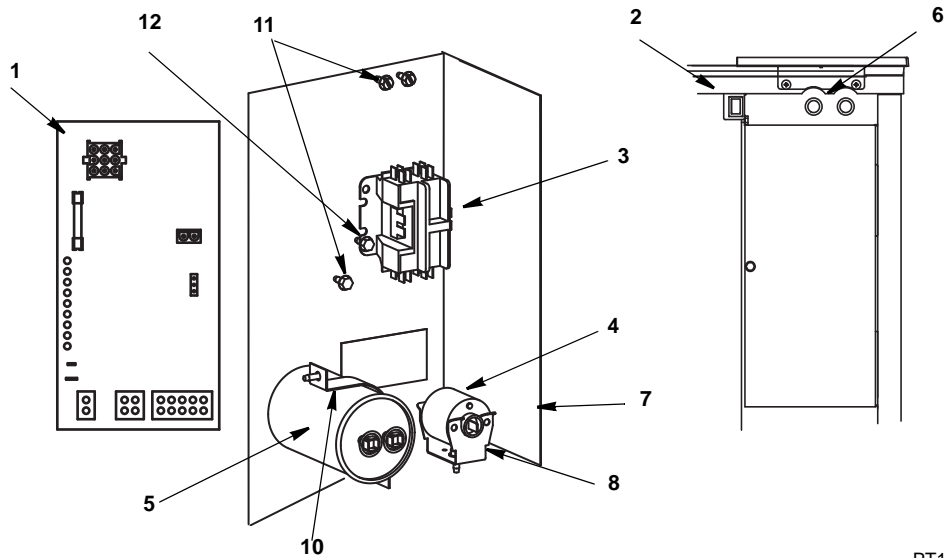
**SD1202A**

**SY1204A**

**SD1203W**

**SY1205W**

# S1200 CONTROL BOX



PT1388

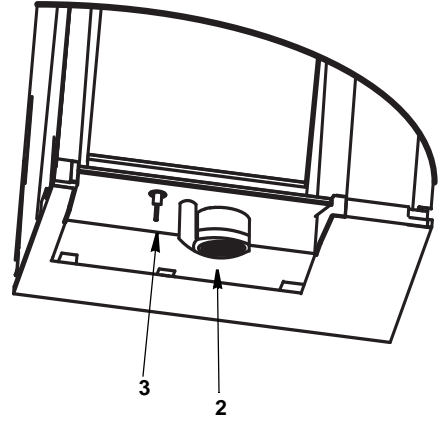
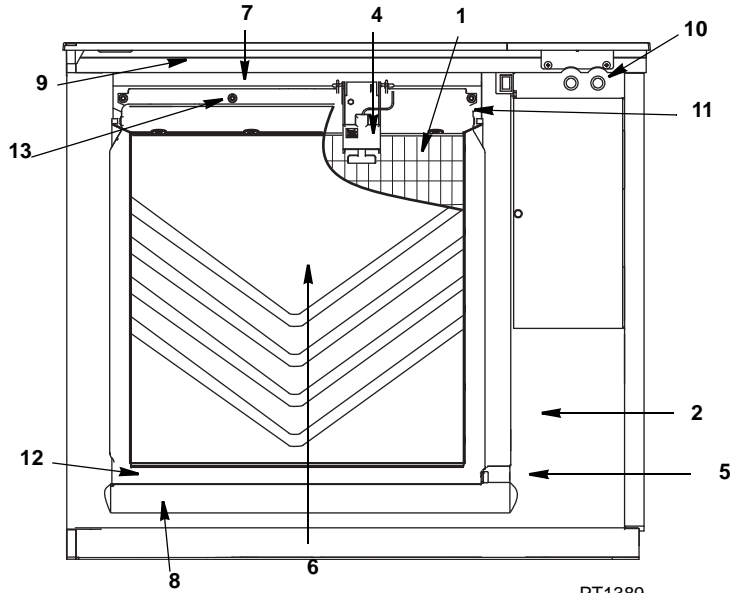
## DESCRIPTION

DESCRIPTION	PART NO.
1 Control Board (for use with all voltages) . . . . .	20-0619-9
a. 7 Amp Fuse – Mounted on Control Board . . . . .	25-1100-3
2 <b>Toggle Switch</b> Only . . . . .	20-0793-9
a. Toggle Switch Wiring Harness . . . . .	20-0807-9
b. Toggle Switch Box . . . . .	40-1163-9
3 <b>Contactor</b>	
a. 208-230V/60 Hz/1 Ph or 230V/50 Hz 1Ph. . . . .	20-0908-9
b. 208-230V/60 Hz/3 Ph . . . . .	20-0661-9
4 P.T.C.R. Compressor Starter. . . . .	85-0491-3
5 Compressor Run Capacitor 208-230V/50/60 Hz/1 Ph). . . . .	20-1013-3
6 Refrigeration Service Valve Assembly . . . . .	83-7326-3

## Miscellaneous – Brackets, Screws, etc.

7 Control Box . . . . .	76-0214-3
a. Control Box Cover (Not shown). . . . .	76-0215-3
8 P.T.C.R. Compressor Starter Mounting Bracket . . . . .	85-0495-3
9 Control Board Mounting Supports (Not shown) . . . . .	43-0225-3
10 Capacitor Mounting Strap . . . . .	602495-3
11 Screw, #10-24 x .50 Ground . . . . .	52-0216-9
a. Star Washer . . . . .	55-7320-9
12 Screw, #10-24 x .50 . . . . .	52-0206-9
13 Control Box Wiring Harness (Not shown)	
a. 230/60/1, 230/50/1, 230/60/3. . . . .	20-0899-9
14 Harvest Air Assist Pump Wiring Harness . . . . .	20-0743-9

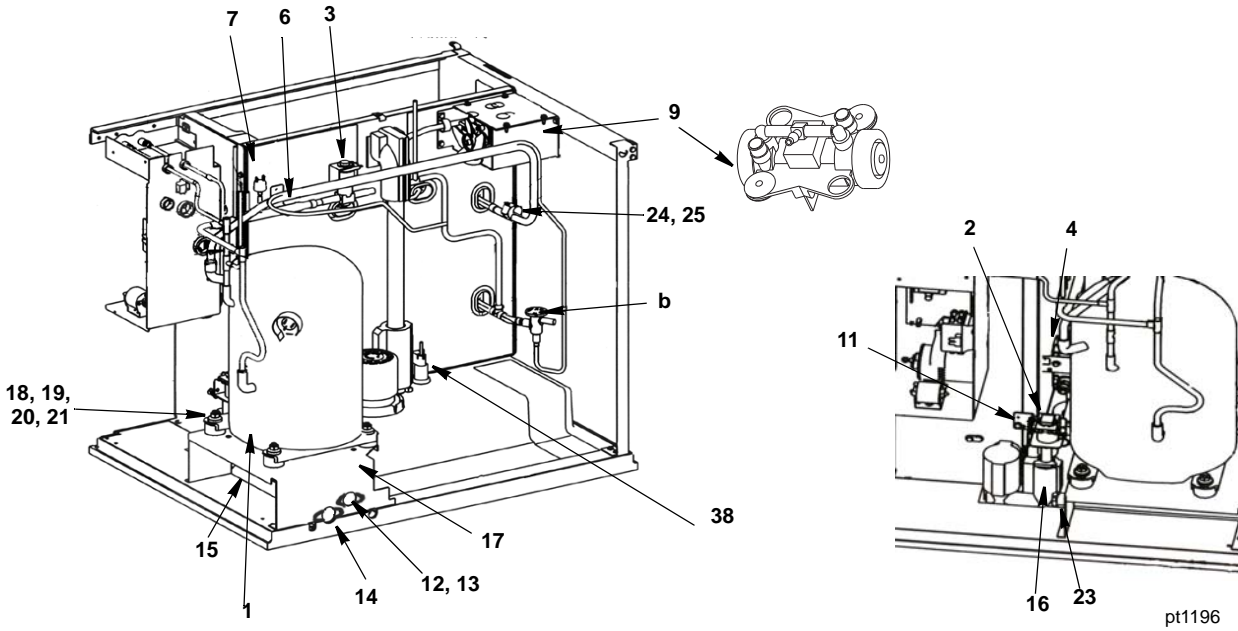
# S1200 EVAPORATOR COMPARTMENT



## DESCRIPTION

	PART NO.
<b>1 Evaporator Assembly</b>	
a. Dice Cube .....	76-0420-3
b. Half Dice Cube .....	76-0421-3
<b>2 Water Pump</b>	
a. 230V/60 Hz 1/3PH .....	20-0810-9
b. 230V/50 Hz 1/3PH .....	20-0811-9
<b>3 Water Level Probe</b>	
a. Wire, control box to probe .....	20-0654-9
<b>4 Ice Thickness Control Probe</b> .....	20-0798-9
<b>5 Magnetic Bin Switch</b> .....	20-0802-9
<b>6 Water Curtain</b> .....	20-0681-9
<b>7 Water Distribution Tube Assembly</b> .....	40-1448-3
a. O-Rings (Back of Distribution Assembly) .....	76-0219-3
<b>8 Water Trough</b> .....	50-0464-9
<b>9 Evaporator Top Filler Panel</b> .....	40-0360-9
<b>10 Access Valve</b> .....	30-0672-9
<b>11 Evaporator Top Frame Assembly</b> .....	83-7326-3
<b>12 Water Diverter</b> .....	76-0220-3
a. Thumbscrew .....	76-0221-3
53-0512-3	
<b>Miscellaneous – Brackets, Screws, etc.</b>	
<b>13 Screw, (Water Distribution Tube Mounting) Each</b> .....	50-0479-9
a. O-Ring .....	50-0462-9
<b>14 Screw, #12-16 x .687 Used to Mount Evaporator (Each)</b> .....	50-0461-9
<b>15 Water Pump Base O-Ring</b> .....	50-0465-9
<b>16 Water Pump Outlet O-Ring</b> .....	50-0467-9
<b>17 Vinyl Tubing 0.625 ID (dump valve to drain adapter)</b> .....	000001382
a. Insulation .....	603883-1

# S1200 REFRIGERATION COMPARTMENT – COMMON PARTS



**DESCRIPTION**

**PART NO.**

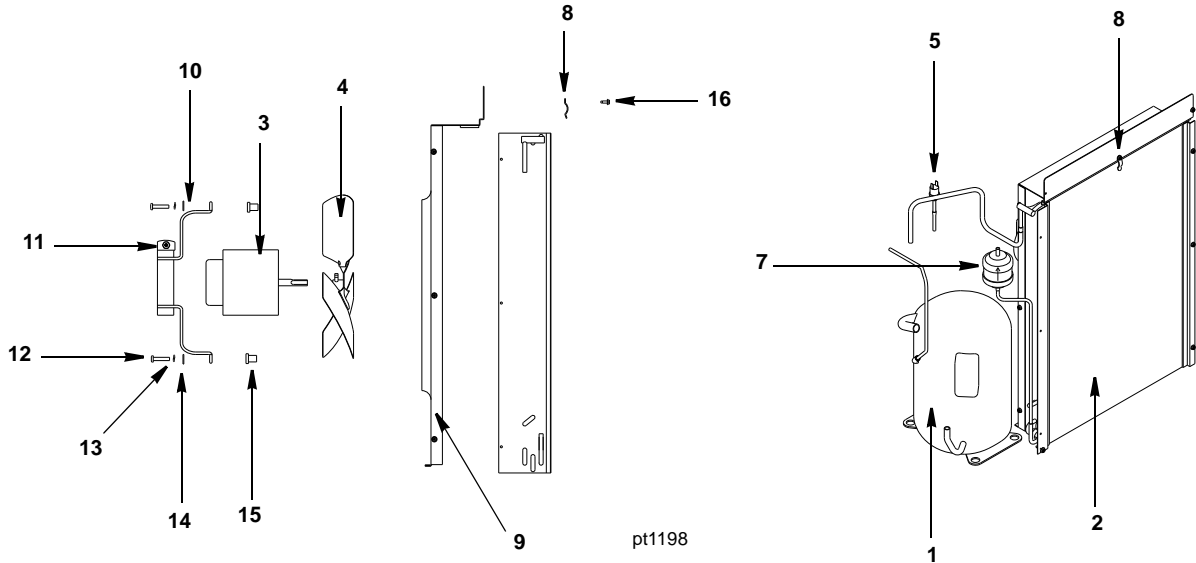
<b>1 Compressor (After Serial Number 110707329)</b>	
a. 208-230V/60 Hz/1 Ph .....	000002366
b. 208-230V/60 Hz/3 Ph .....	000002367
c. 208-230V/50 Hz/1 Ph .....	000002368
<b>1 Compressor (Before Serial Number 110707329)</b>	
a. 208-230V/60 Hz/1 Ph .....	76-0321-3
b. 208-230V/60 Hz/3 Ph .....	76-0322-3
c. 208-230V/50 Hz/1 Ph .....	76-0323-3
<b>2 Water Dump Valve</b>	
a. Dump Valve, 208-230V/50-60 Hz .....	000001768
b. Dump Valve Rebuild Kit .....	No Longer Available
<b>3 Harvest Valve</b>	
a. Harvest Valve Including 208/230V 50/60 Hz Electrical Coil Alco .....	76-0422-3
b. Harvest Valve 208/230V 50/60 Hz Coil Only Alco .....	20-0907-9
<b>4 Water Inlet Valve</b>	
a. Water Inlet Valve Including 208-230V/50-60 Hz Coil .....	000007966
<b>5 Expansion Valve</b>	
a. After Serial Number 110707329 .....	76-0159-9
b. Before Serial Number 110707329 .....	76-0225-3
<b>6 Manifold Strainer (in front of hot gas valve)</b> .....	82-5357-9
<b>7 High Pressure Cut-out (Auto Reset)</b> .....	20-0124-3
<b>8 Electrical Box on Rear of Ice Machine</b>	
a. Box .....	Included in Back Panel Assembly
b. Terminal Block 3 Pole .....	20-0614-3
c. Groundscrew #10-24 x .50 .....	52-0216-9
<b>9 Air Compressor</b>	
a. Air Compressor Pump 230V .....	76-0353-9
b. Manifold Tee (Air Pump Tubing Outlet) .....	40-1173-9
<b>10 Compressor Compartment Wiring Harness</b>	
<b>Before Serial Number 110707329</b>	
a. Water .....	20-0732-9
b. Air .....	20-0731-9
<b>After Serial Number 110707329</b>	
a. Water .....	000002328
b. Air .....	000002327

**Miscellaneous – Brackets, Screws, etc.**

11	Dump Valve Mounting Bracket . . . . .	605845-9
12	Water Inlet Valve Wing Adapter . . . . .	87-0609-3
13	Water Inlet Valve Wing Adapter Plastic Fitting . . . . .	13-6096-1
14	Water Drain Female Wing Adapter . . . . .	87-0608-3
15	Water Drain Clear Tubing, .625 ID x 12 inches . . . . .	44-2038-3
16	Dump Valve Tubing 3.25 inches. . . . .	44-2038-3
17	Compressor Mounting Base. . . . .	606170-9
18	Compressor Mounting Rubber Grommet. . . . . †	85-0306-9
19	Compressor Mounting Sleeve . . . . .	85-0394-9
20	Compressor Mounting Bolt. . . . .	50-0481-9
21	Compressor Mounting Nut . . . . .	50-0482-9
22	Compressor Wiring Harness . . . . .	20-0623-9
23	Clamp, Water Drain . . . . .	56-5070-9
24	Clamp, Expansion Valve Bulb . . . . .	56-5052-9
25	Copper Bulb Strap . . . . .	30-0050-3
26	Expansion Valve Body Insulation Boot. . . . .	40-1329-9
27	Expansion Valve Bulb Insulation Boot . . . . .	40-0720-3
28	Screw, #10-24 x .50 . . . . .	52-0206-9
29	Left Corner Post . . . . .	606599-9
30	Left Top Channel . . . . .	606864-9
31	Right Corner Post. . . . .	606713-9
32	Right Top Channel . . . . .	606257-9
33	Insulated Tube (vinyl tubing from distribution tube to water pump & dump valve). . . . .	000003408
	a. Clamp .859/.989 ID . . . . .	56-5060-3
	b. Clamp .799/.899 ID . . . . .	56-5070-3
34	Water Inlet Valve Tubing . . . . .	40-1043-9
35	Connector Water Inlet Valve. . . . .	13-6098-9
36	Water Inlet Valve Bracket. . . . .	605845-9
37	<b>Check Valve Replacement</b> (includes water diverter, vinyl tubing & insulation) . . . . .	000002473
38	Holder, Water Level Probe . . . . .	20-0655-9
39	Screw to Mount Water Level Probe Holder . . . . .	52-0206-9

† Refer to Cross Reference Guide

## S1200 REFRIGERATION COMPARTMENT – AIR-COOLED



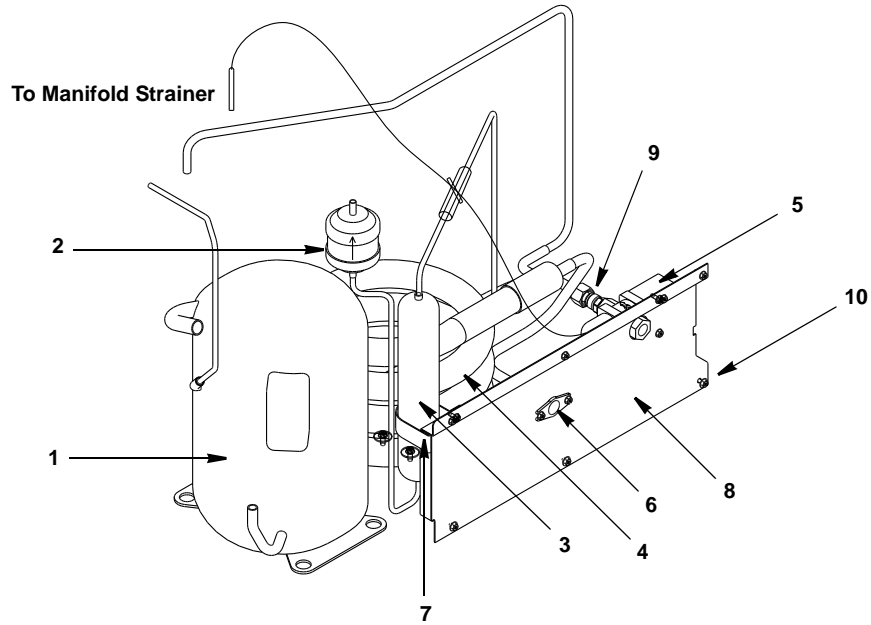
### DESCRIPTION

	<b>PART NO.</b>
1 Compressor (Refer to COMMON PARTS Page) . . . . .	Page S1200-4
2 Air Condenser . . . . .	82-5295-9
3 Fan Motor (208-230V/60 Hz or 230V/50 Hz) . . . . .	76-2672-3
4 Fan Blade . . . . .	24-1612-3
5 Fan Cycling Control . . . . .	† 20-0127-3
6 Air Filter (Not shown) . . . . .	40-4021-3
7 Drier . . . . .	89-3024-9

### Miscellaneous – Brackets, Screws, etc.

8 Air Filter Clip . . . . .	† 56-5069-9
9 Fan Shroud . . . . .	606879-9
10 Fan Motor Mounting Bracket . . . . .	30-0684-3
11 Fan Motor Mounting Screw . . . . .	† 50-3358-9
a. Fan Motor Mounting Lockwasher . . . . .	† 55-4510-9
b. Fan Motor Mounting Hexnut . . . . .	† 54-2952-9
12 Fan Bracket Mounting Screw . . . . .	50-3238-9
13 Fan Bracket Mounting Lockwasher . . . . .	† 55-4510-9
14 Fan Bracket Mounting Flatwasher . . . . .	† 55-7305-9
15 Fan Bracket Mounting Rubber Wellnut . . . . .	† 54-2955-9
16 Screw, #10-24 x .50 . . . . .	† 52-0206-9

## S1200 REFRIGERATION COMPARTMENT – WATER-COOLED



pt1200

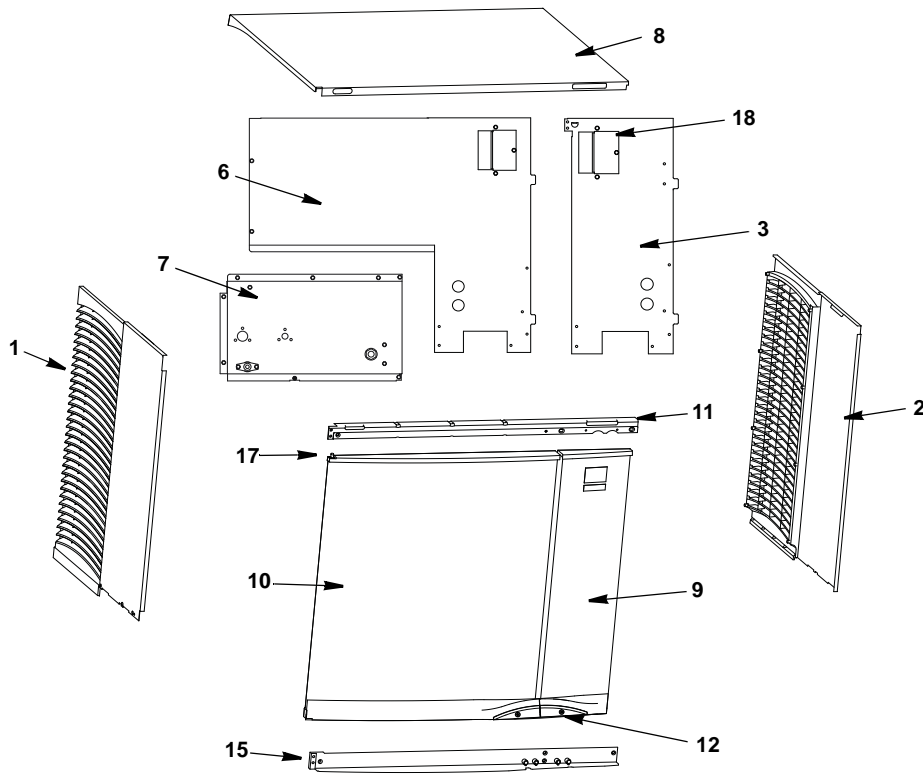
### DESCRIPTION

DESCRIPTION	PART NO.
1 Compressor (Refer to COMMON PARTS Page) . . . . .	Page S1200-4
2 Drier . . . . .	89-3024-9
3 Receiver . . . . .	89-0012-3
4 Water-Cooled Condenser . . . . .	000001508
5 Water Regulating Valve . . . . .	83-7212-3
6 Water Drain Female Wing Adapter . . . . .	87-0608-3

### Miscellaneous – Brackets, Screws, etc.

7 Receiver Strap . . . . .	600054-1
8 Back Panel . . . . .	606918-9
9 Brass Fitting . . . . .	83-3419-3
10 Screw, #10-24 x .50 . . . . .	52-0206-9
11 Washer . . . . .	55-7341-9
12 Base, Water Condenser/Receiver . . . . .	606905-1

# S1200 PANELS



## DESCRIPTION

	<b>PART NO.</b>
1 Left Side Panel . . . . .	606057-9
2 Right Side Panel . . . . .	606056-9
<b>Air-Cooled Back Panels</b>	
3 Back Panel with Electrical Connection Box, Air-cooled Models . . . . .	606938-9
4 Air Filter (Not Shown) . . . . .	40-4021-3
5 Air Baffle (Not Shown) . . . . .	607137-9
<b>Water-Cooled Back Panels</b>	
6 Back Panel with Electrical Connection Box, Water-cooled Models . . . . .	000000334
7 Back Coupling Panel, Water Connections . . . . .	606918-9
<b>Aluminum Front Top Support on machine (replace all)</b>	
8 Top Cover . . . . .	000006699
9 Right Door . . . . .	607170-1
10 Left Door . . . . .	607169-1
11 Front Top Rail . . . . .	000000295
Mounting Screw Left Side 8-32 x 1 . . . . .	50-0537-9
Mounting Screw Right Side 10-24 x.50 . . . . .	50-0509-9
<b>Plastic Front Top Support on machine (replace as needed)</b>	
8 Top Cover . . . . .	000006699
9 Right Door . . . . .	607170-1
10 Left Door . . . . .	607169-1
11 Front Top Rail . . . . .	000000295
Mounting Screw Left Side 8-32 x 1 . . . . .	50-0537-9
Mounting Screw Right Side 10-24 x.50 . . . . .	50-0509-9
<b>Miscellaneous – Brackets, Screws, etc.</b>	
12 Right/Left Door Screw . . . . .	50-0489-9
13 Left Door Endcaps . . . . .	
a. Top . . . . .	40-1511-3
b. Bottom . . . . .	40-1512-3
14 Right Door Endcaps . . . . .	
a. Top . . . . .	40-1514-3
b. Bottom . . . . .	40-1515-3
15 Bottom Door Frame . . . . .	76-0226-3
a. Mounting Screw Left Side 8-32 x 1 PH52*30 . . . . .	50-0537-9
b. Mounting Screw Right Side 10/24 x .50 PH . . . . .	52-0209-9
16 Door Catch Bracket (RHD) . . . . .	606236-9
a. Mounting Screw 8-32 x .50 PH . . . . .	50-2624-9
17 Left Door Pivot Leaf Hinge (Top or Bottom) . . . . .	30-0557-9
a. Mounting Screw 8-32 x 1 PH . . . . .	50-0537-9
18 Electrical Connection Box Cover . . . . .	Included in Back Panel Assembly
19 Sachet Holder (inside left door) . . . . .	40-0459-9
a. Screws . . . . .	50-0479-9