



Ice Machine Parts List for Series Q270 Models

QR0270A

QD0273W

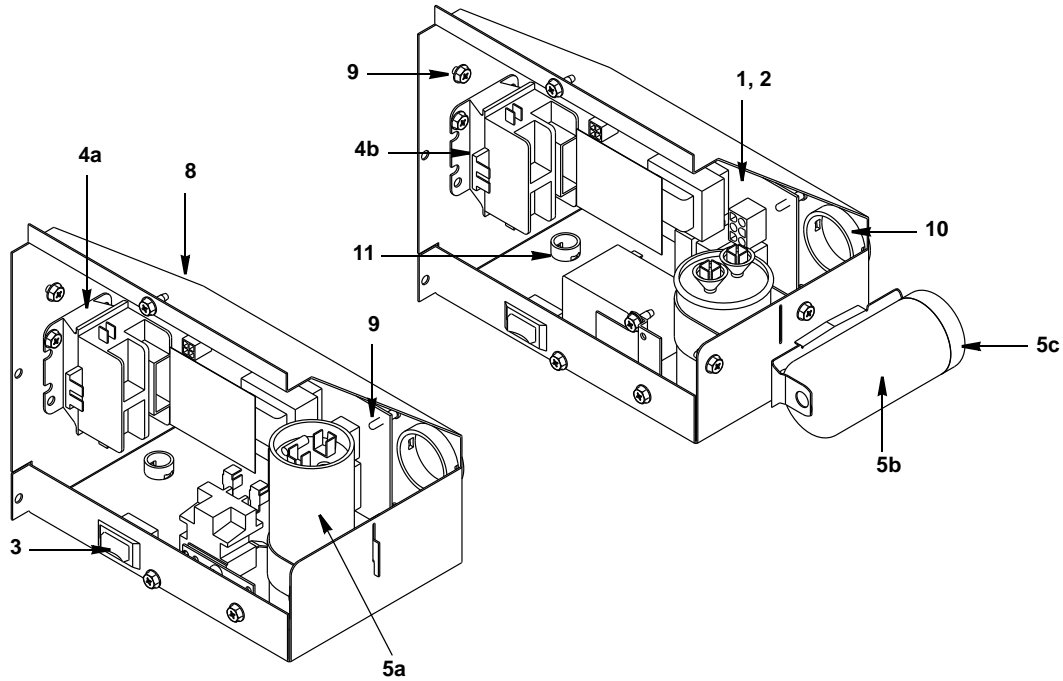
QR0271W

QY0274A

QD0272A

QY0275W

Q270 CONTROL BOX



DESCRIPTION

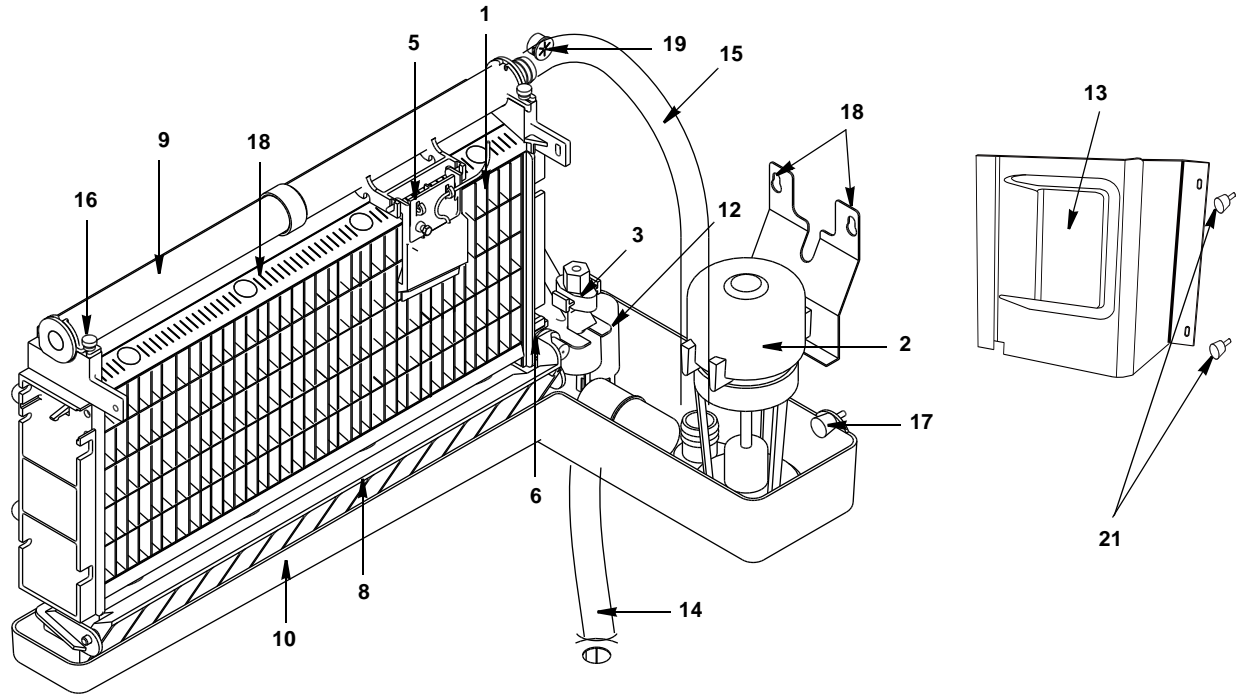
DESCRIPTION	PART NO.
1 Control Board (for use with all voltages)	† 76-2907-3
2 10 Amp Fuse – Mounted on Control Board	25-1149-3
3 Toggle Switch Only	23-0151-3
a. Wiring Harness Only	20-3248-3
4 Contactor	
a. 115V/60 Hz/1 Ph.	† 20-0656-9
b. 230V/50-60 Hz/1 Ph	† 20-0657-9
5 Start Capacitor	
a. 115V/60 Hz/1 Ph.	85-0577-3
b. 230V/50-60 Hz/1 Ph	00000022
6 Wiring Harness	
a. Air-Cooled (Not shown)	00001361
b. Water-Cooled (Not shown)	00001360
c. Ice Thickness Control Probe (Wire Lead and Connectors Only)	20-0700-3
7 Power Cord	
a. 125V/60 Hz (Not shown)	00000081
b. 230V/60 Hz (Not shown)	20-0216-3
c. 230V/50 Hz (Not shown)	00000082

Miscellaneous – Brackets, Screws, etc.

8 Control Box	00001358
9 Control Board Mounting Supports	43-0225-3
10 Bushing, SB1500-21-2240	† 25-0013-9
11 Bushing, SB625-8/2073	† 25-0218-9

† Refer to Cross Reference Guide

Q270 EVAPORATOR COMPARTMENT



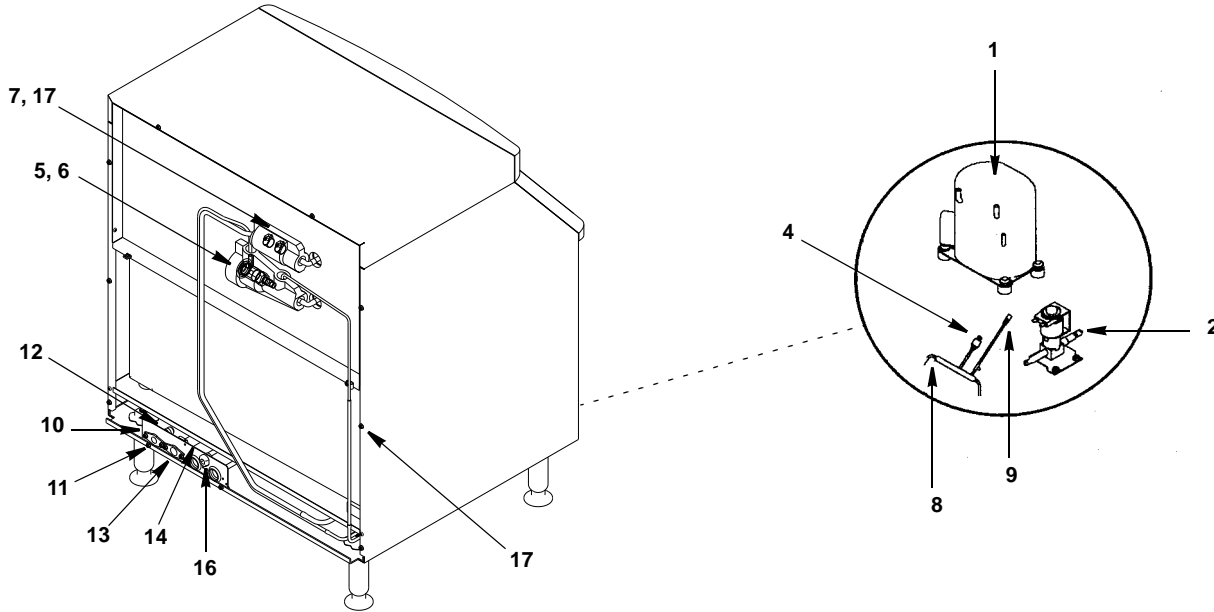
DESCRIPTION

PART NO.

1 Evaporator Assembly	
a. Regular Cube	† 7629549
b. Dice Cube	† 7629559
c. Half Dice Cube	† 7629569
2 Water Pump	
a. 115V/60 Hz	† 7623063
b. 208-230V/60 Hz or 230V/50 Hz(before 310151004)	† 7626013
c. 208-230V/60 Hz or 230V/50 Hz(after 310151004)	040000945
3 Float Valve (Complete Assembly) - Up to Serial Number 031100000	† 7602133
4 Float Valve (Complete Assembly) - After Serial Number 031100000	83-6904-9
5 Ice Thickness Control Probe	† 7601603
6 Magnetic Bin Switch (Mounted to Evaporator)	† 7601613
7 Water Flow Clamp (Not shown, used on Regular Cube Only)	76-2054-3
8 Ice Damper	76-0048-3
a. Ice Damper Magnet and Cap	76-2909-3
9 Water Distribution Tube	† 7624983
10 Water Trough	43-0386-3
11 Water Inlet Tubing (Not shown)	44-2029-1
12 Siphon Cap	43-0222-3
13 Water Pump Cover(115V)	000006754
Miscellaneous – Brackets, Screws, etc.	
14 Drain Tube	† 4400133
15 Tubing (Water Pump Out)	40-1205-3
16 Screw, #8-32 x .44 Nylon Water Distribution Tube Mounting	5305123
17 Thumbscrew, #8-32 x .438	5305123
18 Screw, #10-24 x .50	† 5202069
19 Bushing (Ice Thickness Probe Wire)	† 2500169
20 Water Pump Lead (Not Shown)	2078063
21 Thumbscrew	040001217

† Refer to Cross Reference Guide

Q270 REFRIGERATION COMPARTMENT – COMMON PARTS



DESCRIPTION

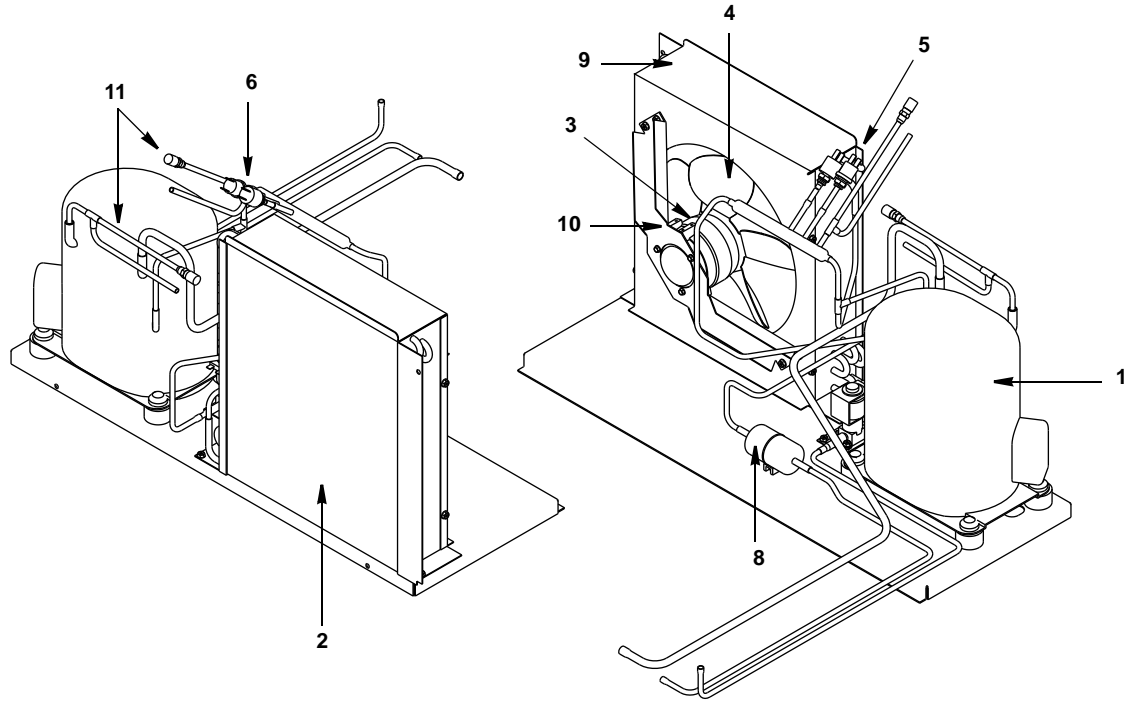
NOTE: Replace a Tecumseh compressor/start components with a Tecumseh compressor/start components and a Danfoss compressor/start components with a Danfoss compressor/start components.
DO NOT INTERCHANGE COMPRESSORS OR START COMPONENTS.

PART NO.

1 Tecumseh Compressor	
a. 115V/60 Hz/1 Ph	† 76-2936-3
Overload for Compressor	85-0573-3
Starting Relay (Tecumseh)	85-0374-3
b. 208/230V 60 Hz/1 Ph	† 76-2937-3
Overload for Compressor	85-0574-3
Starting Relay (Tecumseh)	85-0455-3
c. 224/240V 50Hz/1Ph	76-2938-3
Overload for Compressor	85-0575-3
Starting Device (Tecumseh)	85-0448-3
2 Danfoss Compressor	
a. 115V/ 60 Hz/1 Ph	76-0134-3
Start Device(Danfoss)	82-5103-3
Start Capacitor (Danfoss)	82-5102-3
b. 208-230V 60 Hz 1 Ph / 224-240V 50 Hz 1 Ph (Up To 310009591)	76-0135-3
Starting Relay with Overload (Danfoss)	20-0224-3
Start Capacitor (Danfoss)	82-5109-3
c. 208-230V 60 Hz 1 Ph / 224-240V 50 Hz 1 Ph (After 310009591)	76-0137-3
Starting Relay with Overload (Danfoss)	000002136
Start Capacitor (Danfoss)	000000022
3 Hot Gas Valve	
a. Danfos(before 310091838)	
Hot Gas Valve including 115V Electrical Coil	76-3001-1
Hot Gas Valve 115V Coil Only	000005156
Hot Gas Valve Including 208/230V 50/60 Hz Electrical Coil	76-3007-1
Hot Gas Valve 208/230V 50/60 Hz Coil Only	000005157
Bracket	000000805
b. Sanhua(after 310091838)	
Hot Gas Valve including 115V Electrical Coil	040001075
Hot Gas Valve 115V Coil Only	040000101
Hot Gas Valve Including 208/230V 50/60 Hz Electrical Coil	040001071
Hot Gas Valve 208/230V 50/60 Hz Coil Only	040000103
Bracket	040000672
c. Alco	
Hot Gas Valve 115V Coil Only	24-0436-3
Hot Gas Valve 208/230V 50/60 Hz Coil Only	24-0448-3
4 High Pressure Cut-out	† 20-0124-3
5 Expansion Valve	† 76-0289-3
6 Expansion Valve Body Insulation Boot	
a. Alco	40-0721-3
b. Danfoss	40-0036-3
7 Expansion Valve Bulb Insulation Boot	40-0720-3
8 Manifold Strainer (in front of hot gas valve)	82-5106-3
9 Access Valve	83-7325-3
Miscellaneous – Brackets, Screws, etc.	
10 Bracket (Water/Electrical Inlet)	60-3460-1
11 Water Inlet Female Wing Adapter	† 87-0609-3
12 Male Connector 1/4" OD x 1/8" NTPF	13-6096-1
13 Bin Drain Female Wing Adapter	87-0613-3
14 Bin Drain Tubing (Molded)	44-2146-3
15 Bin Drain Hose Clamp (Not shown)	† 56-5064-9
16 Water Inlet Tubing	44-2029-1
17 Clamp, Expansion Valve Bulb	† 56-5052-9

† Refer to Cross Reference Guide

Q270 REFRIGERATION COMPARTMENT – AIR-COOLED



DESCRIPTION

1	Compressor (Refer to COMMON PARTS Page)	Page 4
2	Air Condenser	88-5138-3
3	Fan Motor	
	a. 115V	† 24-1281-3
	b. 208-230V/60 Hz or 230V/50 Hz	† 20-0599-3
4	Fan Blade	24-1622-3
5	Fan Cycling Control	† 20-0126-3
6	High Pressure Cut-out (Refer to COMMON PARTS Page)	Page 4
7	Air Filter (Not shown)	76-2952-3
8	Drier	89-3025-9

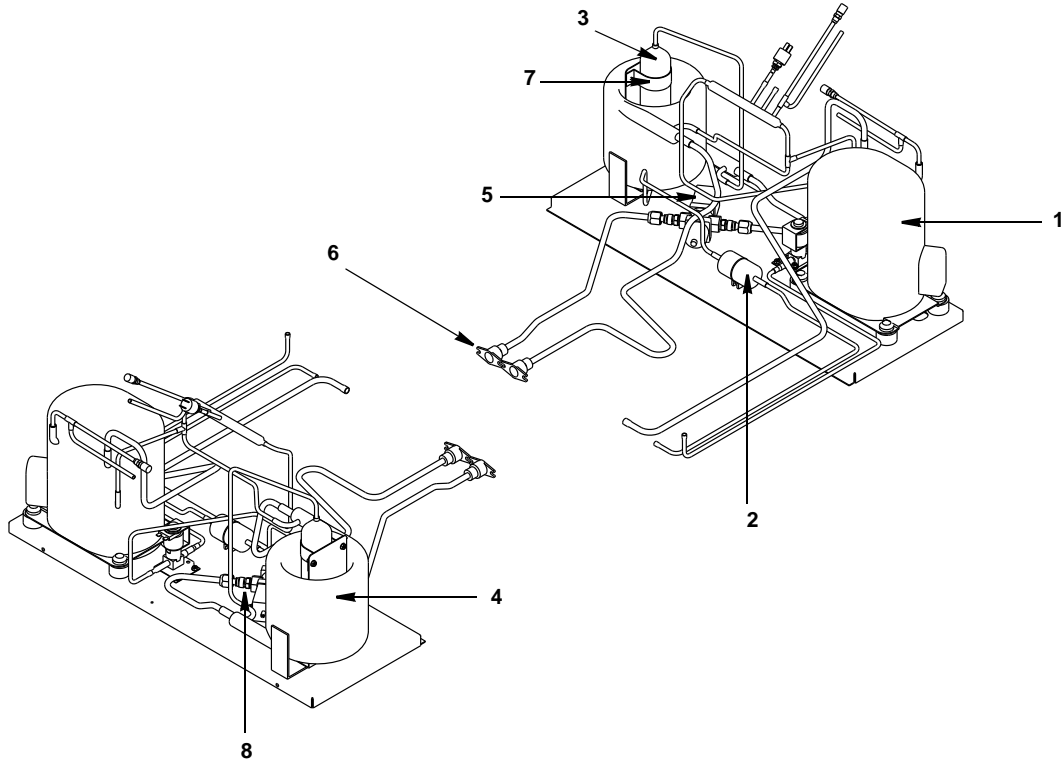
Miscellaneous – Brackets, Screws, etc.

9	Fan Shroud	60-3459-1
10	Fan Motor Mounting Bracket	60-2743-1
11	Access Valve	83-7325-3

PART NO.

† Refer to Cross Reference Guide

Q0270 REFRIGERATION COMPARTMENT – WATER-COOLED



DESCRIPTION

1	Compressor (Refer to COMMON PARTS Page)
2	Drier
3	Receiver
4	Water-cooled Condenser
5	Water Regulating Valve
6	Adapter, 1/2NPTx3/8ODF

PART NO.

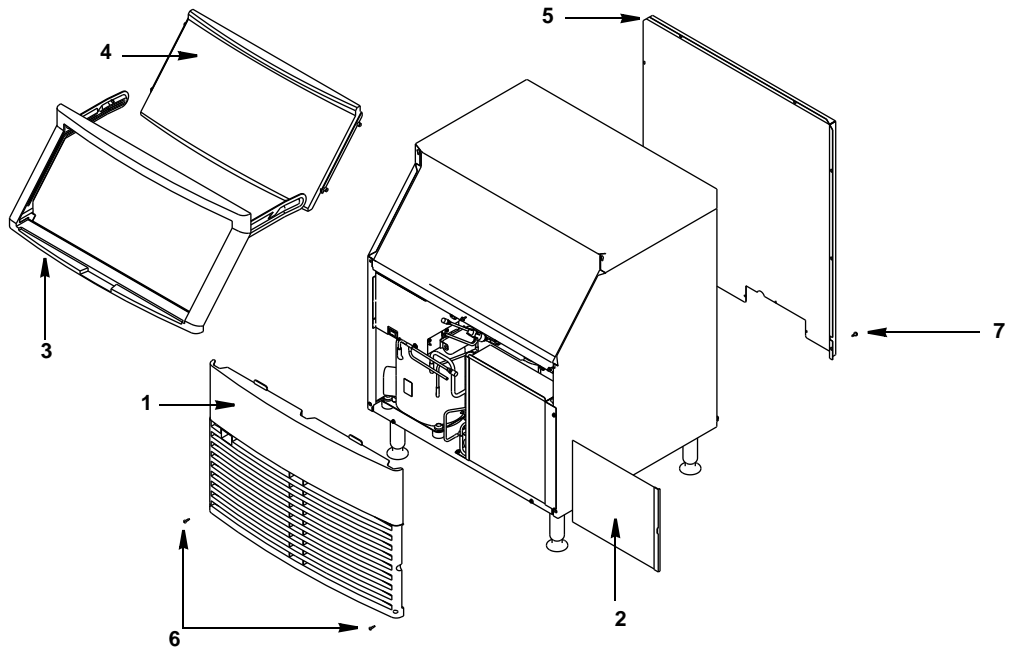
Page 4
† 89-3025-9
12-0003-1
† 88-6531-3
83-7210-3
87-0610-3

Miscellaneous – Brackets, Screws, etc.

7	Receiver Strap
8	Water Coupling

60-0189-1
83-3202-3

Q270 PANELS



DESCRIPTION

	DESCRIPTION	PART NO.
1	Front Panel Assembly	76-2951-3
2	Air Filter	76-2952-3
3	Door Frame Assembly	76-2953-3
4	Bin Door	43-0439-3
5	Back Panel	60-3467-1

Miscellaneous – Brackets, Screws, etc.

6	Front Cover Screw	† 52-0223-9
7	Screw, #10-24 x .50	† 52-0206-9
8	Ice Scoop (Not shown)	† 33-0260-3