

# Electric/Gas Dual Side Xpress Grill

## Parts List Manual

### Models:

XP(E/G)12

XP(E/G)24, XP(E/G)24-1(L/R)

XP(E/G)36, XP(E/G)36-2(L/R)



*XP(E/G)12 Shown*



*XP(E/G)24 Shown*



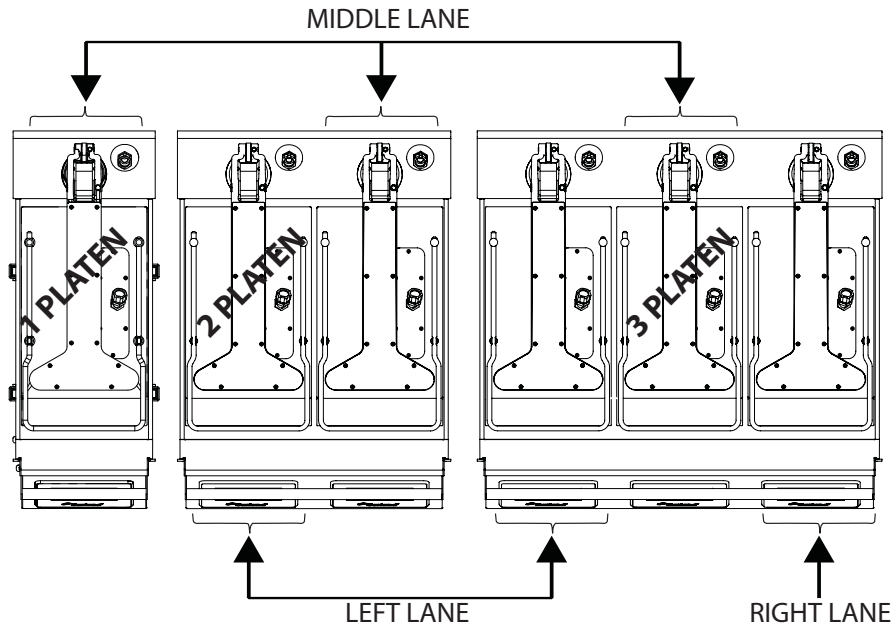
*XP(E/G)36 Shown*

THIS PAGE INTENTIONALLY LEFT BLANK

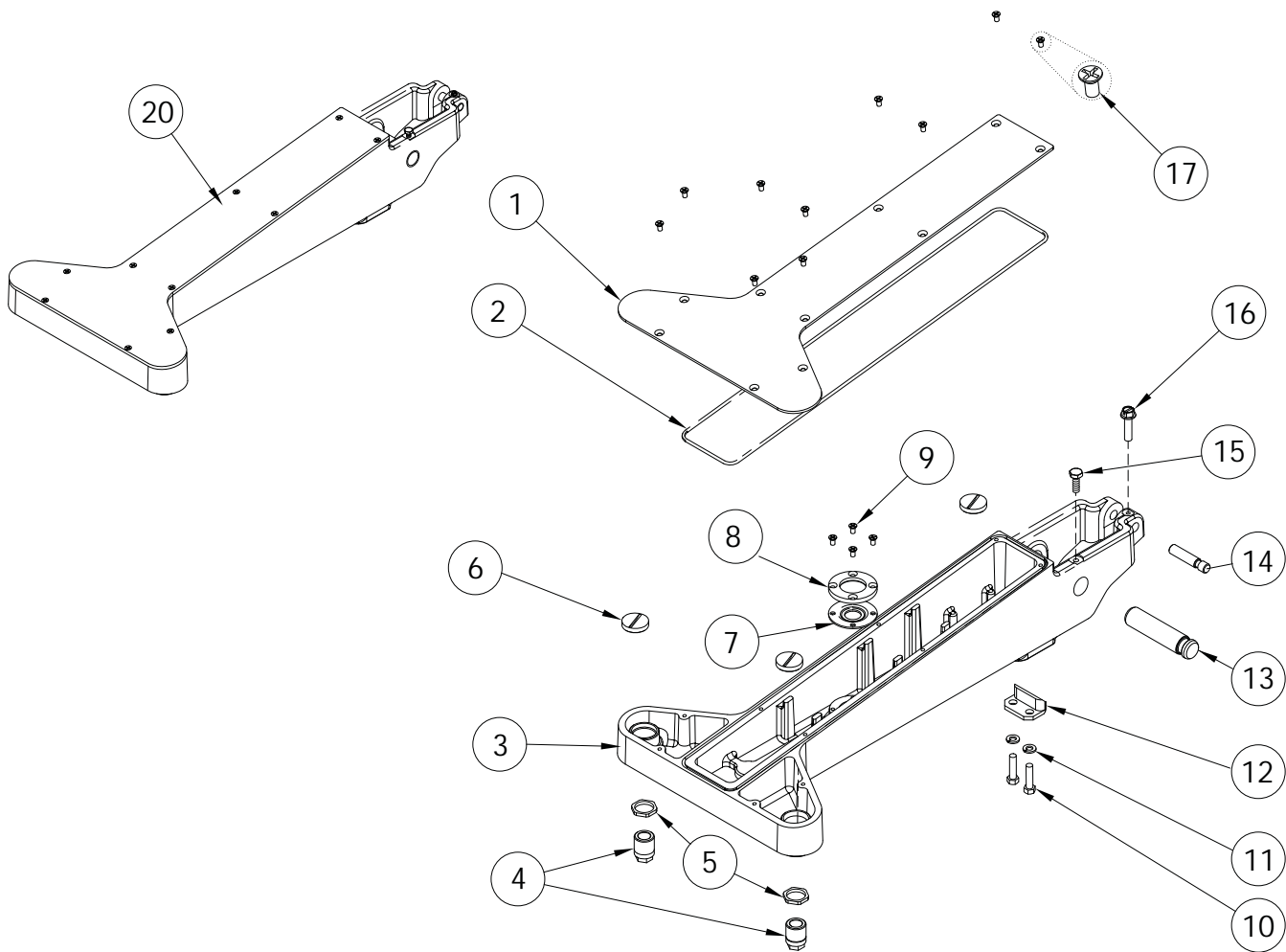
# Contents

Top Platen Grill - All Models, Part 1	4
Top Platen Grill - All Models, Part 2	5
One (1) Platen Grill External Parts	6
Two (2) Platen Grill External Parts	7
Three (3) Platen Grill External Parts	8
Bottom Grill Burner - All Models Gas	9
Bottom Grill Element - All Models Electric	10
Electronic Components - All Models	11
Shaft Mechanism - All Models	12
Accessories - All Models	14
Information / Warning Stickers	15
Electrical Schematic Diagrams - All Models	16
Wiring Harnesses - All Models	17

## XPRESS PLUS GRILL LANE COFIGURATION

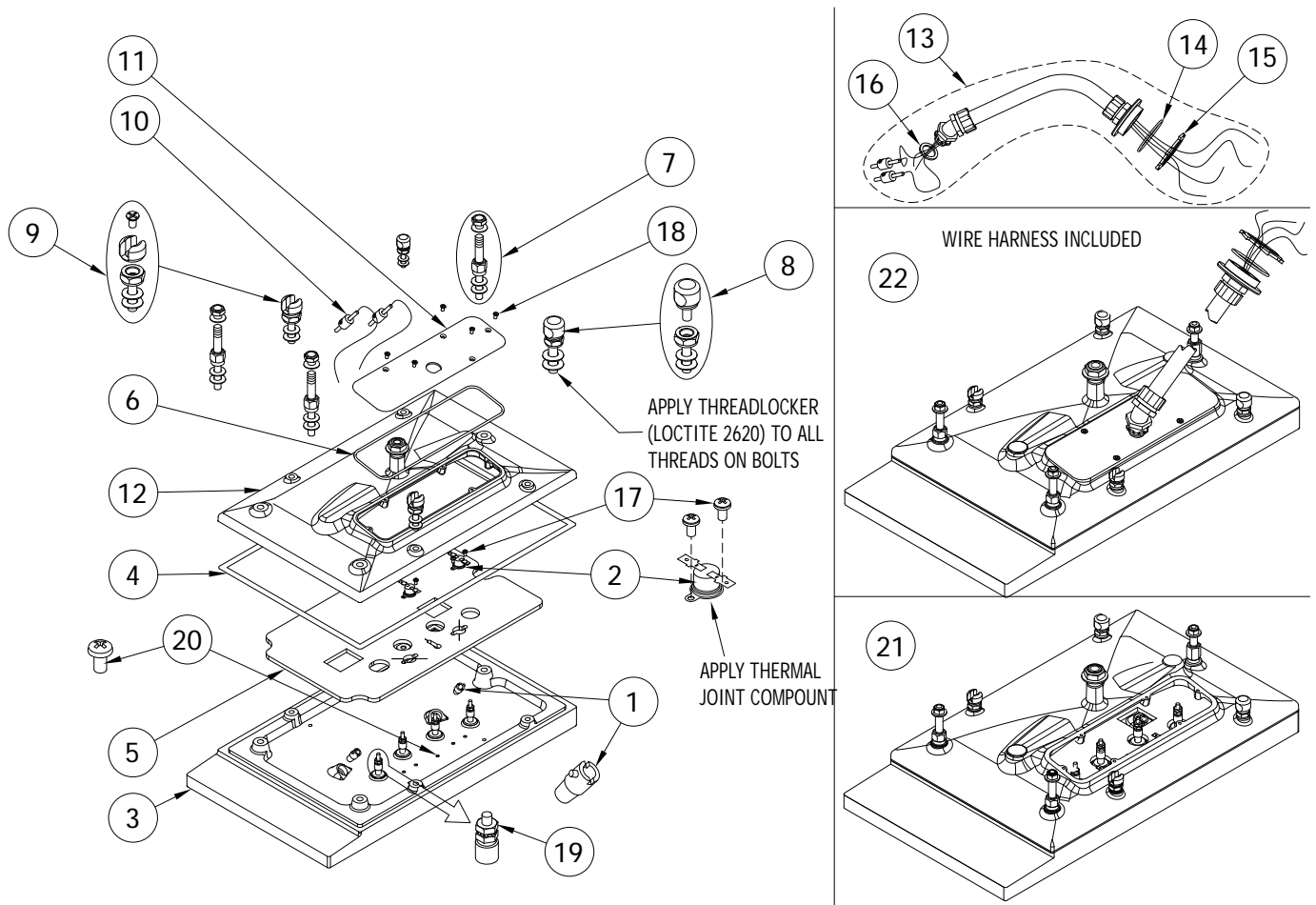


## Top Platen Grill - All Models, Part 1



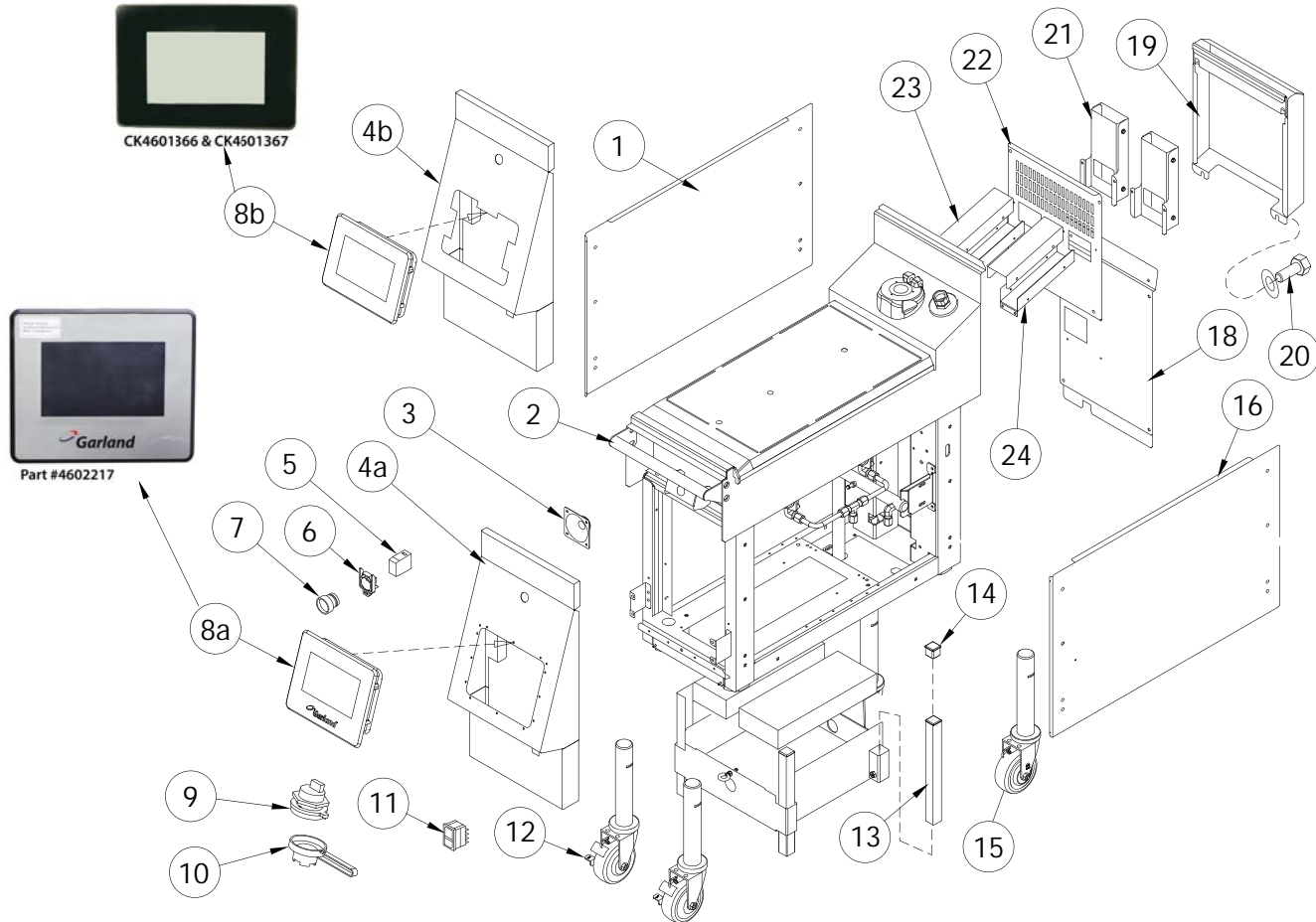
Item#	Part#	Description	Qty	Critical or Recommended
1	4532736	Platen Arm Cover, Pearl (must also replace seal item # 2)	1	
2	4600481	Seal, Platen Arm to Cover	1	C
3	4532735	Platen Arm, GM w Bushings	1	
4	4600578	Shoulder Bolt Adj. Nut, Pearl	2	
5	4600579	Shoulder Bolt Adj. Nut Lock, Pearl	2	
6	4600568	Shoulder Bolt Cap	3	
7	4600567	Seal Cowl to Arm	1	
8	4600566	Seal Cap, Arm	1	
9	F766	#8-32 X 1/2" Flat Head Machine Screw 18-8 SS	4	
10	F191	Screw-1/4-20 x 5/8in Hex Head S-S Bolt	2	
11	F255	Lockwasher-1/4 S/S Split	2	
12	4600570	Arm Stop	1	
13	4600619	Pin Pivot	1	
14	4600569	Arm Link Pin	1	
15	F767	1/4-20 X 3/4" Thread-Locking Cap Screw SS	1	
16	F768	#10-24 X 3/8" Hex/Slot Washer Head Machine Screw SS	1	
17	F717	#8-32X.312 U/CUT FHMS PH SS	10	
20	CK4600164	Platen Arm Assembly GM - Complete (includes items 1 through 17)	1	

## Top Platen Grill - All Models, Part 2



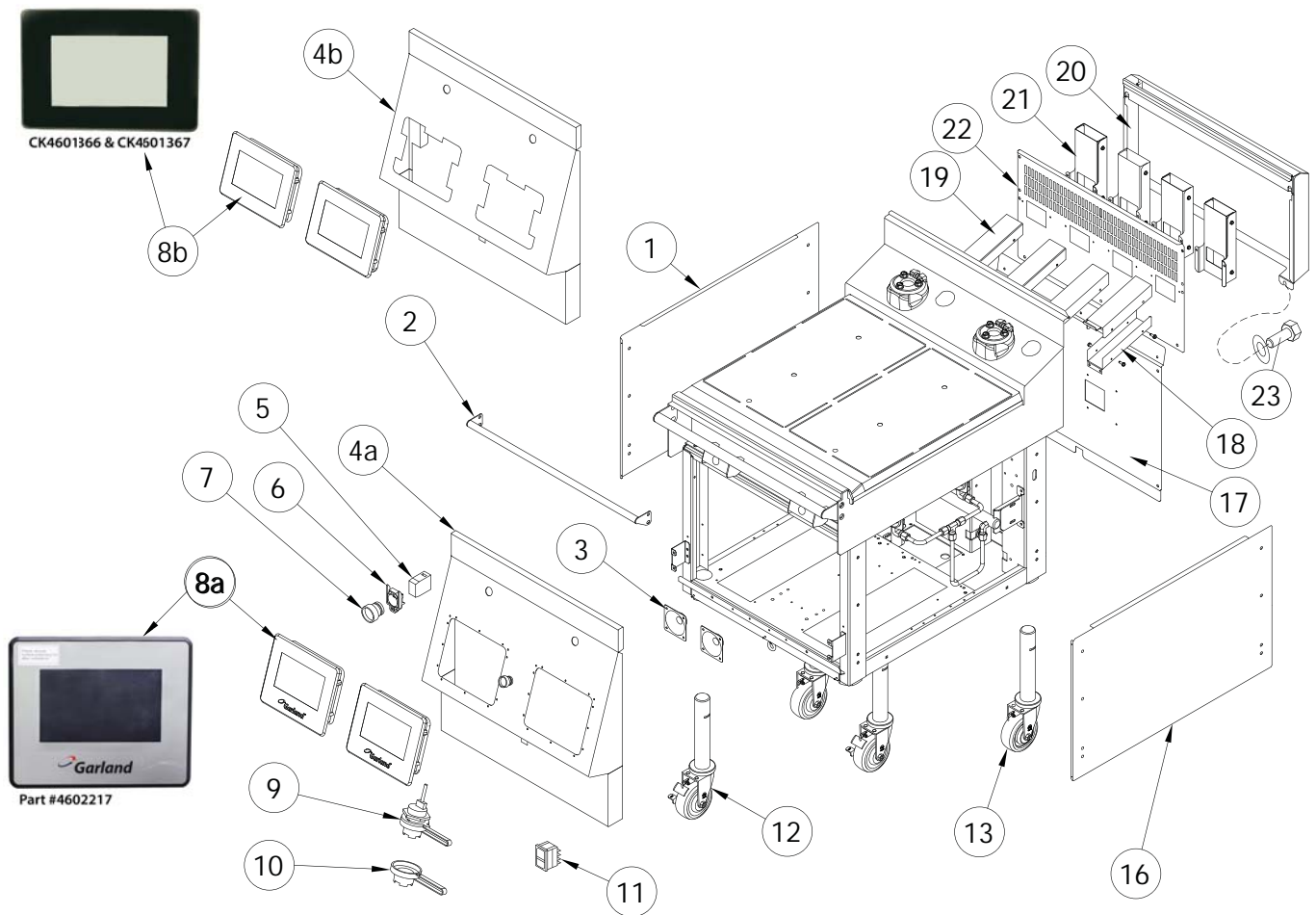
Item#	Part#	Description	Qty	Critical or Recommended
1	1859402	Platen Bayonet Adapter	2	
2	4531977	Thermostat SPST (open on rise 500F, close 420F)	2	C
3	4532741	Platen Heater 20" x 11.5" (must also replace seal item # 4)	1	
4	4532744	Seal, Cowl to Platen	1	R
5	4600146	Platen Insulation	1	
6	4600584	Seal, Cowl to Lid (FKM O-Ring, As S68A-169)	1	
7	CK4600585	Standard Shoulder Bolt, Asm, Pearl	3	
8	CK4600590	U-Bar Rear Holder Assembly	2	R
9	CK4600591	U-Bar Front Holder Assembly	2	R
10	4600100	Platen Thermocouple	2	C
11	4600645	Cowl Access Lid, Pearl	1	
12	4600513	Cast Cowl, Pearl GM	1	
13	4600724	Platen Harness TC Conduit GM Pkg - (Thermocouples & harness included)	1	C
14	4600652	O-Ring, AS568A - 137	1	
15	4600653	Conduit Fitting Locknut, 1.5"	1	
16	4600606	Seal Conduit Fitting	1	
17	F162	Screw-6-32 X 1/4" Phillips Pan S/S	4	
18	F717	#8-32X.312 U/Cut FHMS PH SS	6	
19	F715	#10-32 Hex Keps Nut SS (for the element)	4	
20	F783	#8-32X3/16 Truss M/S SS (ground)	1	
21	CK4601978	Platen assembly (items included: 1, 2, 3, 4, 5, 7, 8, 9, 12, 17)	1	R
22	CK4600166	Complete Assembled Platen, Cowl and Conduit assemblies	1	

# One (1) Platen Grill External Parts



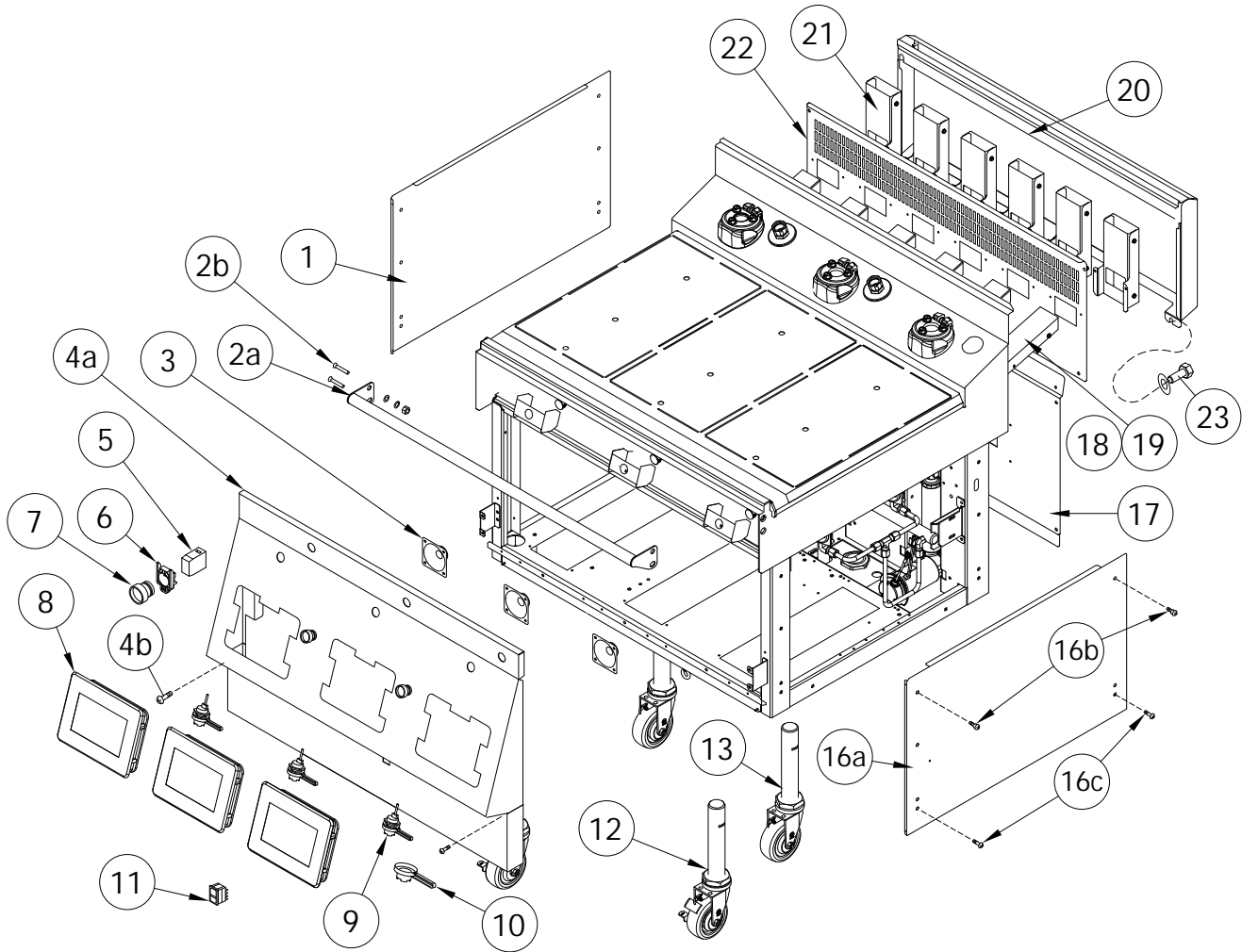
Item#	Part#	Description	Qty	Critical or Recommended
1	4532768	Body Side, RT	1	
2	4600189	Towel Bar Assembly 12	1	
3	4523482	Speaker, 4 Watts SMT	1	C
4a	4600184	Control Panel, 1P Electric	1	
	4600969	Control Panel, 1P Gas	1	
4b	4602221	Control Panel, 1P Electric - (designed for rev 9 user interface)	1	
	4602224	Control Panel, 1P Gas - (designed for rev 9 user interface)	1	
5	1859606	Contact Block	1	C
6	1859607	Mounting Latch	1	C
7	1859605	Push Button Green	1	C
8a	CK4601312	Pearl UI Assembly with General Market Software	1	C
8b	CK4601366	User Interface Assy - Quick Version - Rev 9(Europe Only)	1	C
	CK4601367	User Interface Controller - General Market - Rev 9	1	C
9	4532040	USB Panel Mount Assy c/w Lock Nut	1	C
10	4532043	USB Cable Assembly Cover	1	R
11	4600614	Main Power Switch 250VAC 10A	1	C
12	4532675	Caster 1-1/2-12 Stem Sep. Swivel & Wheel Lock	2	R
13	4600956	Stability Post	4	
14	4600957	Post Cap 1in SQ	1	
15	4532676	Caster 1-1/2-12 Stem Swivel Lock Only	2	R
16	4532769	Body Side, LT	1	
18	4600181	Rear Panel, Lower 1P	1	
19	CK 4601152	Flue Box Assy 12 (Gas Model Only)	1	
20	F592	#10-24x3/4 Flange Whiz-Lock Screw	2	
	F158	Washer -11/16ODX13/64IDX1 /16FLA	2	
21	CK4602023	Flue Riser Assembly (Gas Model Only)	2	
22	4600532	Rear Panel Upper 1P Gas	1	
23	4600070	Flue Box Top	2	
24	4600069	Flue Box Bottom	2	

## Two (2) Platen Grill External Parts



Item#	Part#	Description	Qty	Critical or Recommended
1	4532768	Body Side, RT	1	
2	4532366	Towel Bar Assy 2P	1	
3	4523482	Speaker, 4 Watts SMT	2	C
4a	4532774	Control Panel, 2P Electric	1	
	4600970	Control Panel, 2P Gas	1	
4b	4602222	Control Panel, 1P Electric - (designed for rev 9 user interface)	1	
	4602225	Control Panel, 1P Gas - (designed for rev 9 user interface)	1	
5	1859606	Contact Block	1per lane	C
6	1859607	Mounting Latch	2	C
7	1859605	Push Button Green	2	C
8a	CK4601312	Pearl UI Assembly with General Market Software	1	C
	CK4601366	User Interface Assy - Quick Version - Rev 9(Europe Only)	2	C
8b	CK4601367	User Interface Controller - General Market - Rev 9	2	C
9	4532040	USB Panel Mount Assy c/w Lock Nut	2	C
10	4532043	USB Cable Assembly Cover	2	R
11	4600614	Main Power Switch 250VAC 10A	1	C
12	4532675	Caster 1-1/2-12 Stem Sep. Swivel & Wheel Lock	2	R
13	4532676	Caster 1-1/2-12 Stem Swivel Lock Only	2	R
16	4532769	Body Side, LT	1	
17	4600159	Rear Panel Lower Assy - 2P	1	
18	4600069	Flue Box Bottom	4	
19	4600070	Flue Box Top	4	
20	CK4601151	Flue Box Assy 24 (Gas Model Only)	1	
21	CK4602023	Flue Snorkel Box Assembly (Gas Model Only)	4	
22	4600533	Rear Panel, Upper 2P (Gas Model Only)	1	
23	F592	#10-24x3/4 Flange Whiz-Lock Screw	3	
	F158	Washer -11/16ODX13/64IDX1 /16FLA	3	

## Three (3) Platen Grill External Parts

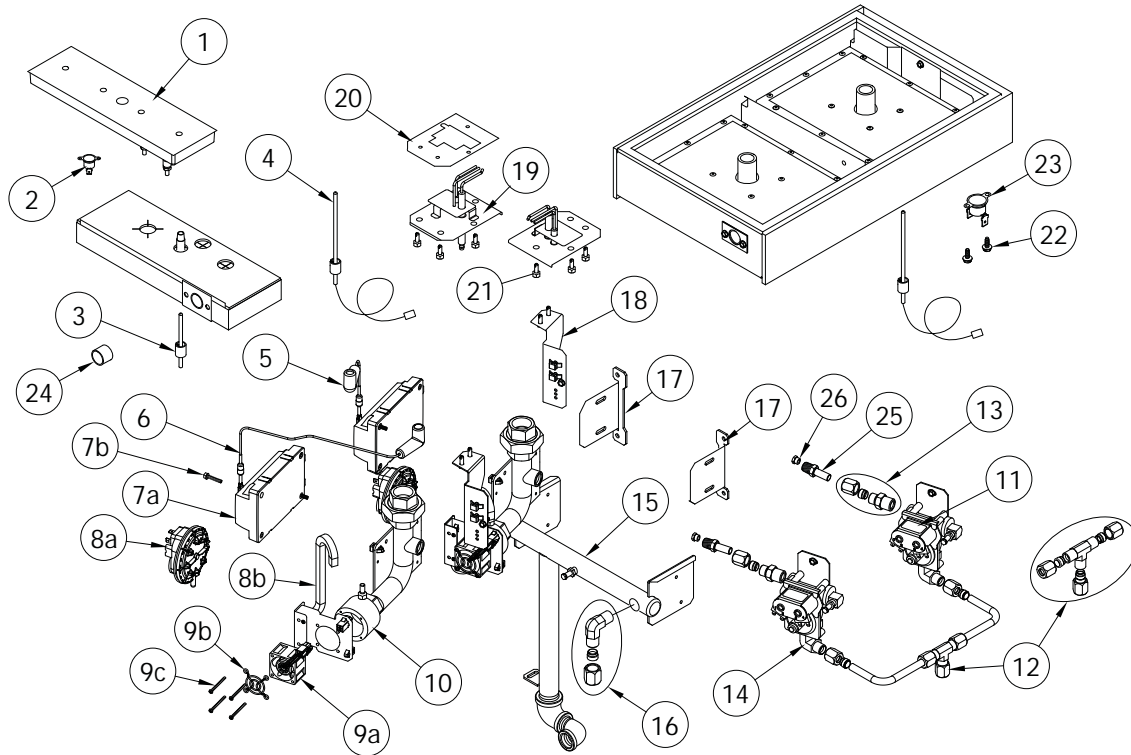


Item#	Part#	Description	Qty	Critical or Recommended
1	4532768	Body Side, RT	1	
2a	4600224	Towel Bar Assy 3P	1	
2b	F711	5/16-18 X 5/8" Flat Head Machine Screw SS	4	
	F756	5/16 18-8 SS Flat Washer 11/16 OD X .05" -.08" THK	4	
	F258	Lockwasher - 5/16 S/S Split	4	
	F241	Nut 5/16-18 HEX SS	4	
3	4523482	Speaker, 4 Watts SMT	3	C
4a	4602223	Control Panel, 1P Electric - (designed for rev 9 user interface)	1	
	4602226	Control Panel, 1P Gas - (designed for rev 9 user interface)	1	
4b	8003128	10-24 X 1/2IN S/S Trust Head Phillip MS	2	
5	1859606	Contact Block	3	C
6	1859607	Mounting Latch	3	C
7	1859605	Push Button Green	3	C
8	CK4601366	User Interface Assy - Quick Version - Rev 9(Europe Only)	3	C
	CK4601367	User Interface Controller - General Market - Rev 9	3	C
9	4532040	USB Panel Mount Assy c/w Lock Nut	3	C
10	4532043	USB Cable Assembly Cover	3	R
11	4600614	Main Power Switch 250VAC 10A	1	C
12	4532675	Caster 1-1/2-12 Stem Sep. Swivel & Wheel Lock	2	R
13	4532676	Caster 1-1/2-12 Stem Swivel Lock Only	2	R
16a	4532769	Body Side, LT	1	
16b	F298N	#10-24x 3/8 Shoulder Bolt Nickel Plated	4	



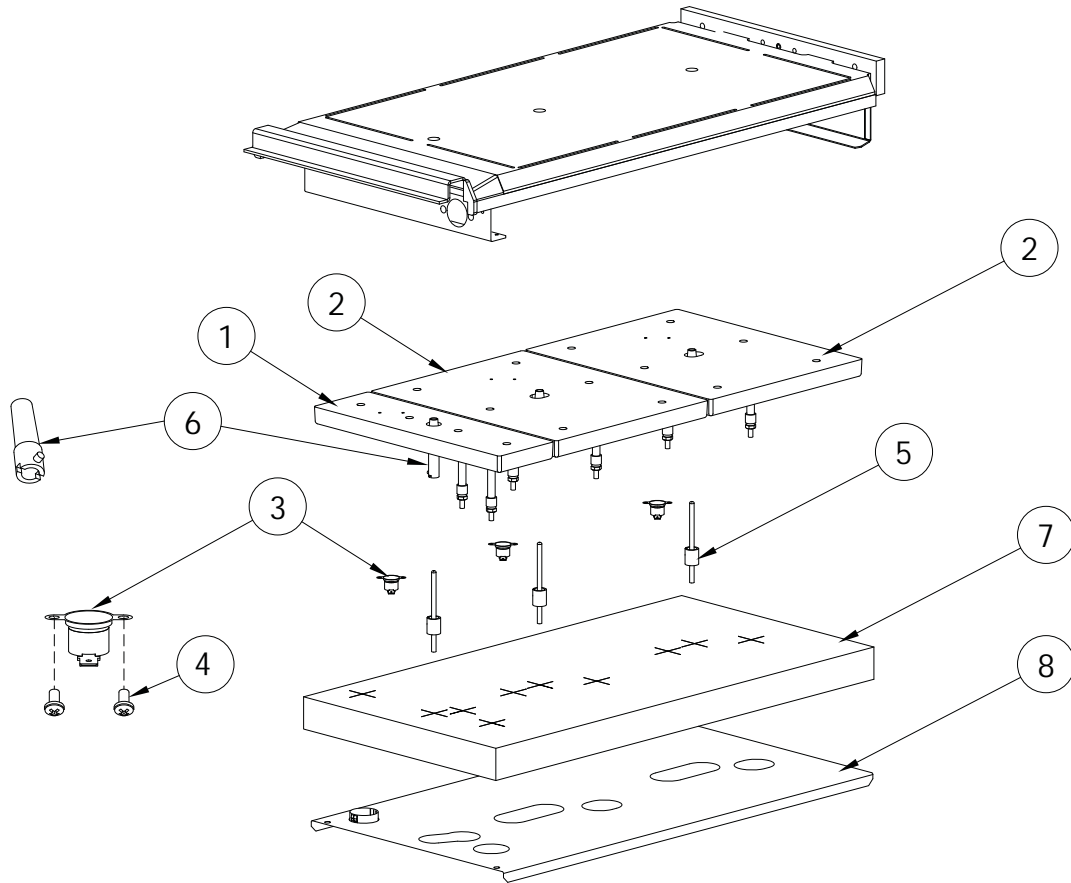
<b>Item#</b>	<b>Part#</b>	<b>Description</b>	<b>Qty</b>	<b>Critical or Recommended</b>
16c	8003128	10-24 X 1/2IN S/S Trust Head Phillip MS	4	
17	4600277	Rear Panel Lower Assy - 3P Gas	1	
	4600214	Rear Panel Lower Assy - 3P Electric	1	
18	4600069	Flue Box Bottom	6	
19	4600070	Flue Box Top	6	
20	CK4600976	Flue Box Assy 36	1	
21	CK4602023	Flue Riser Assembly (Gas Model Only)	6	
22	4600276	Rear Panel, Upper 3P Gas	1	
	4600221	Rear Panel, Upper 3P Electric	1	
23	F592	#10-24x3/4 Flange Whiz-Lock Screw	3	
	F158	Washer -11/16ODX13/64IDX1 /16FLA	3	

## Bottom Grill Burner - All Models Gas



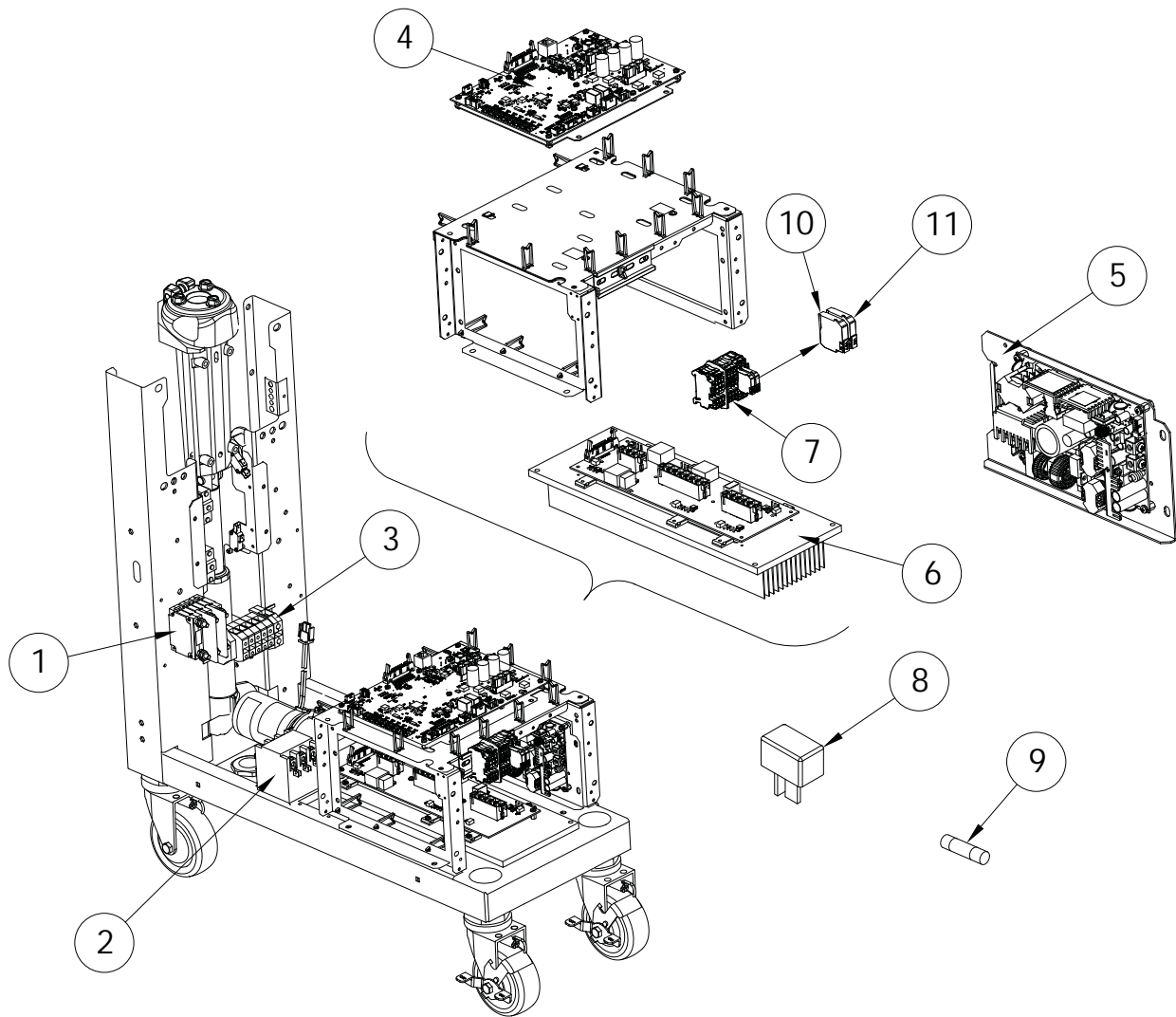
Item	Part#	Description	Qty per lane	Critical or Recommended
1	4532397	Front Heater Casting (small)	1	
2	4531977	Thermostat SPST (open on rise 500F, close 450F)	1	C
3	4600101	Grill Plate Thermocouple Electric	1	C
4	4600280	Grill Plate Thermocouple Gas	2	C
5	4600092	H.V. Cable Teflon Back, 90 Deg Rajah To 1/4 QC, 6.5in Long	1	R
6	4600067	H.V. Cable Teflon Front, 90 Deg Rajah To 1/4 QC, 14in Long	1	R
7a	4601966	Ignition Module 24VDC Fenwal W/New RX Signals	2	C
7b	F741	#8-32X1.0" HWHMS Slotted 18/8 S/S (to mount ignition module)		
8a	4601161	Pressure Switch - Huba 604, 0.08 - 1.2"W.C. ADJ. Range, W Mtg Bracket	2	C
8b	4601157	Tubing EPDM 3/16 ID, 3/8 SQ OD, 9.5in Long, Kink Resistant	2	
9a	4600056	Fan 40MM X 40MM X 28MM W/Lead Wires & Connector	2	C
9b	4600905	Guard Fan, Wire Form Style, STD 40MM Size	2	
9c	8003222	Screw	8	
10	4600064	Fan MTG Fitting W/Pressure Tap	2	
11	4600011	Gas Valve W/Regulator, 24VDC Dual Coil, 4.0" WC	2	
	CK4600010	Gas Valve (include item 12, 13, 14 & bracket)	2	C
12	4600541	Fitting Tee 3/8 Tube Steel Compression All Sides, C/W Sleeves & Nuts	1	R
13	4600539	Fitting Straight 3/8 NPT TO 3/8 Tube Steel Compression, C/W Sleeve & Nut	2	R
14	4600540	Fitting Elbow 3/8 NPT TO 3/8 Tube Steel Compression, C/W Sleeve & Nut	2	R
15	4600351	Manifold Assembly (1 platen)	1	
	4600378	Manifold Assembly (2 platen)	1	
	4600072	Manifold Assembly (3 platen)	1	
16	4600547	Fitting Elbow 1/4 NPT TO 3/8 Tube Steel Compression, C/W Sleeve & Nut	2	R
17	4600680	Manifold Bracket	2	
18	4600021	Bracket Valve Hanger	2	
19	CK4602052	Electrode & Gasket Assembly	2	C
20	4602051	Electrode Gasket	2	
21	F588	Screw #10-24X1/2" Hex HD TYPE F S.N.#GARL92144	10	
22	F757	#6-32 X 3/8" Phillips Pan Screw	2	
23	4600483	Thermostat SPST (open on rise 500F, close 450F)	1	C
24	4600972	Window Plug Clear	1	
25	4600062	Orifice Adapter Fitting 1/4 NPT To 7/16 Tube	2	
26	4600260	Orifice Fitting 1.2mm	2	
	4600063	Orifice Fitting 1.5mm	2	

## Bottom Grill Element - All Models Electric



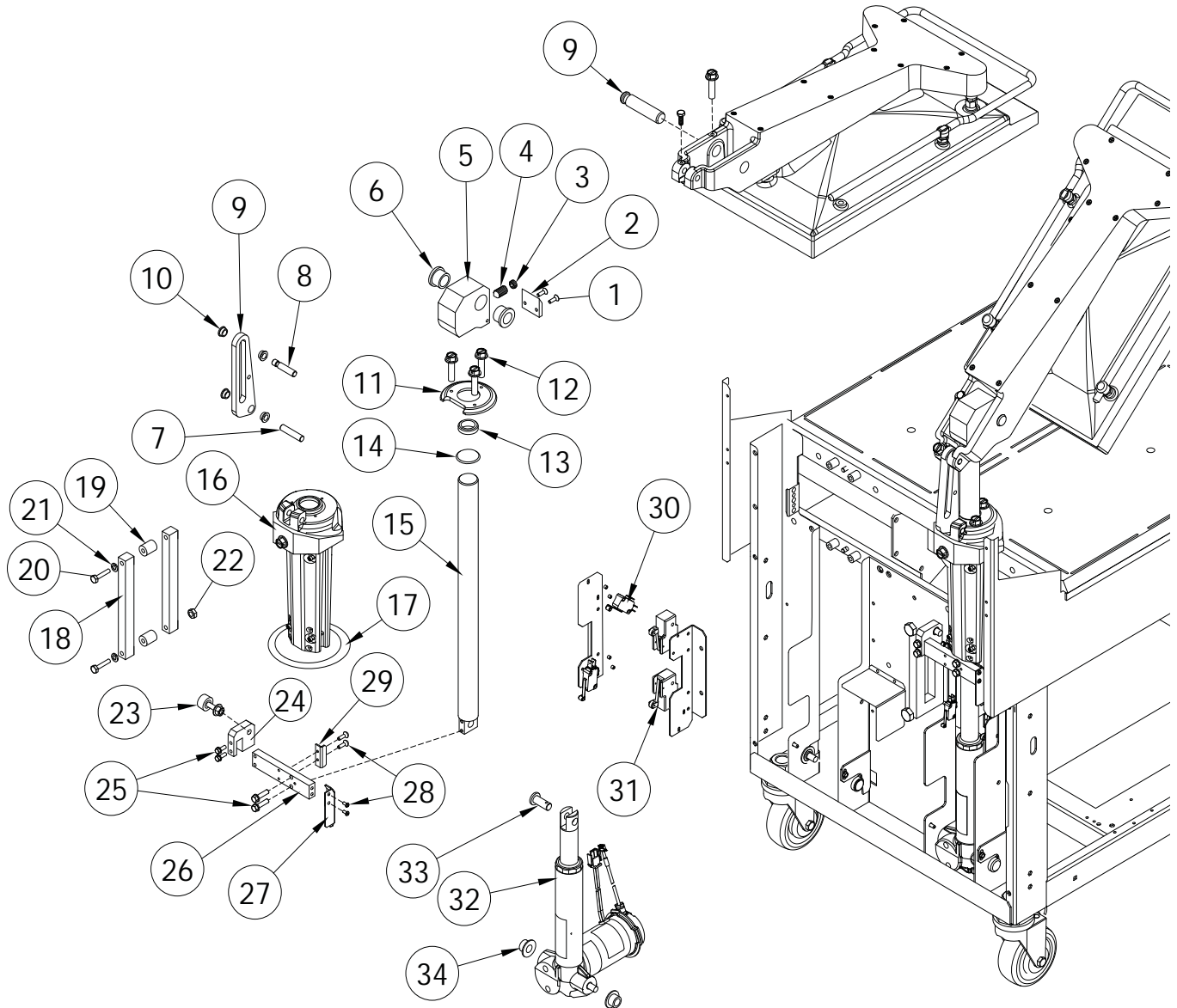
Item#	Part#	Description	Qty per lane	Critical or Recommended
1	4532397	Front Heater Casting (small)	1	
2	4532399	Middle/Rear Heater Casting (Large)	2	
3	4531977	Thermostat SPST (open on rise 500F, close 450F)	3	C
4	F162	Screw-6-32 X 1/4" Phillips Pan S/S	6	
5	4600101	Grill Plate Thermocouple Electric	3	C
6	1859404	Grill Plate Bayonet Adaptor	3	
7	4600202	Fibreglass Insulation 12"x22.5"	1	
8	4532369	Insulation Pan Assembly	1	

## Electronic Components - All Models



Item#	Part#	Description	Qty per lane	Critical or Recommended
1	4532382	Circuit Breaker 60A, Nader (3P)	1	R
	4600124	Circuit Breaker 32A, Nader (2P)	1	R
	4600125	Circuit Breaker 25A, Nader (1P)	1	R
	4600630	Circuit Breaker 40A, Nader	1	R
2	1637001	Contactor 120V Coil UL - Main Contactor 50 Amps	1	C
	1637002	Contactor 240V Coil CE	1	C
3	4529170	Main Terminal Block CE	1	R
	4600126	Main Terminal Block UL	1	R
4	CK4600140	SIB & Mount Plate Assembly	1	C
	4601832	SIB & Mount Plate Assembly (new rev 9 board) (For unit with CK4601367 user interface board only)	1	C
5	4600838	Power Supply 24V Omron	1	C
6	4531775-9	SSRB Heatsink Assembly	1	C
7	4600482	Terminal Block Control Power 10A UL	1	
	4600485	Terminal Block Control Power 6.3A CE	1	
8	4531933	Diode - 15A	2	R
9	4600129	Fuse 5A (inside fuse holder)	1	C
10	4600637	Fuse 6.3A CE	2 per unit	C
11	4600638	Fuse 10A UL	2 per unit	C
12	4600613	26 Pin Ribbon Cable (not illustrated)	1	C

## Shaft Mechanism - All Models



Item#	Part#	Description	Qty per lane	Critical or Recommended
1	F655	#10-32 UNF Flat Socket Head Machine Screw	2	
2	4600618	Wear Pad, Pearl	1	
3	F764	Black Alloy Steel Hollow-Lock Set Screw, 1/2"-13 Thread, 1/4" Long	1	
4	F721	High Hold Cone Point Set Screw 1/2-13X1"	1	
5	4600617	Carriage Block, Base	1	
6	4532752	Igus Flange Bearing, IN - 3/4 x 3/4	2	R
7	4600631	Shaft Tube / Link Pin, Pearl	1	
8	4600569	Arm Link Pin, Pearl	1	
9	4532732	Pivot Link Machined	1	
10	4532733	Pivot Link Bearing 3/8" X 1/4" FL	4	
11	4532393	Seal Cap	1	R

Item#	Part#	Description	Qty per lane	Critical or Recommended
12	F700	#8-32 X 3/4" Hex Washer Head Screw, 18-8 SS	3	R
13	4532394	Shaft Seal	1	C
14	4600605	O-Ring	1	C
15	4600620	1-1/4 Shaft	1	
16	4532385	Shaft Tube with Bearings	1	
17	4600477	Seal, Shaft Tube to Backsplash	1	
18	4600624	Anti-Rotate Guide Block, Pearl	2	
19	4600629	Anti-Rotate Spacer Block, Pearl	2	
20	F771	1/4-20 X 3" CAP SCREW GR. 5 ZP	2	
21	8000203	Lockwasher-split 1/4X1/2X1/16 STL ZP	2	
22	F86	Nut-1/4-20 W/STARWASHER K-LOK	1	
23	4600707	Eccentric 7/8" Cam Follower	1	
	F112	Washer -3/8IN SAE Steel Zinc CHR	1	
	F576	18-8 SS 3/8-24 HEX JAM NUT	1	
24	4600623	Cam Follower Block	1	
25	F765	1/4"-20 X 1" GR. 8 Hex HD Cap Screw ZP	4	
	F255	Lockwasher -1/4 S/S Split	4	
26	4600622	Cross Bar	1	
27	4600636	Home Switch Activation Bracket	1	
28	F162	Screw-6-32 X 1/4" Phillips Pan S/S	4	
29	4532760	Bracket, Pin Keeper	1	
30	4531930	Micro-switch, Over-travel	2	C
31	4600616	Limit Switch, Snap Action, Short Hinge Roller Lever	2	C
32	4600170	Actuator Assembly - SKF	1	C
33	F759	Clevis Pin, M12 DIA., 30MM LG, 23MM Usable LG	1	
34	4600863	Igus Flange Bearing GFI-1214-08 3/4 X 1/2	2	



Item 19



Item 26

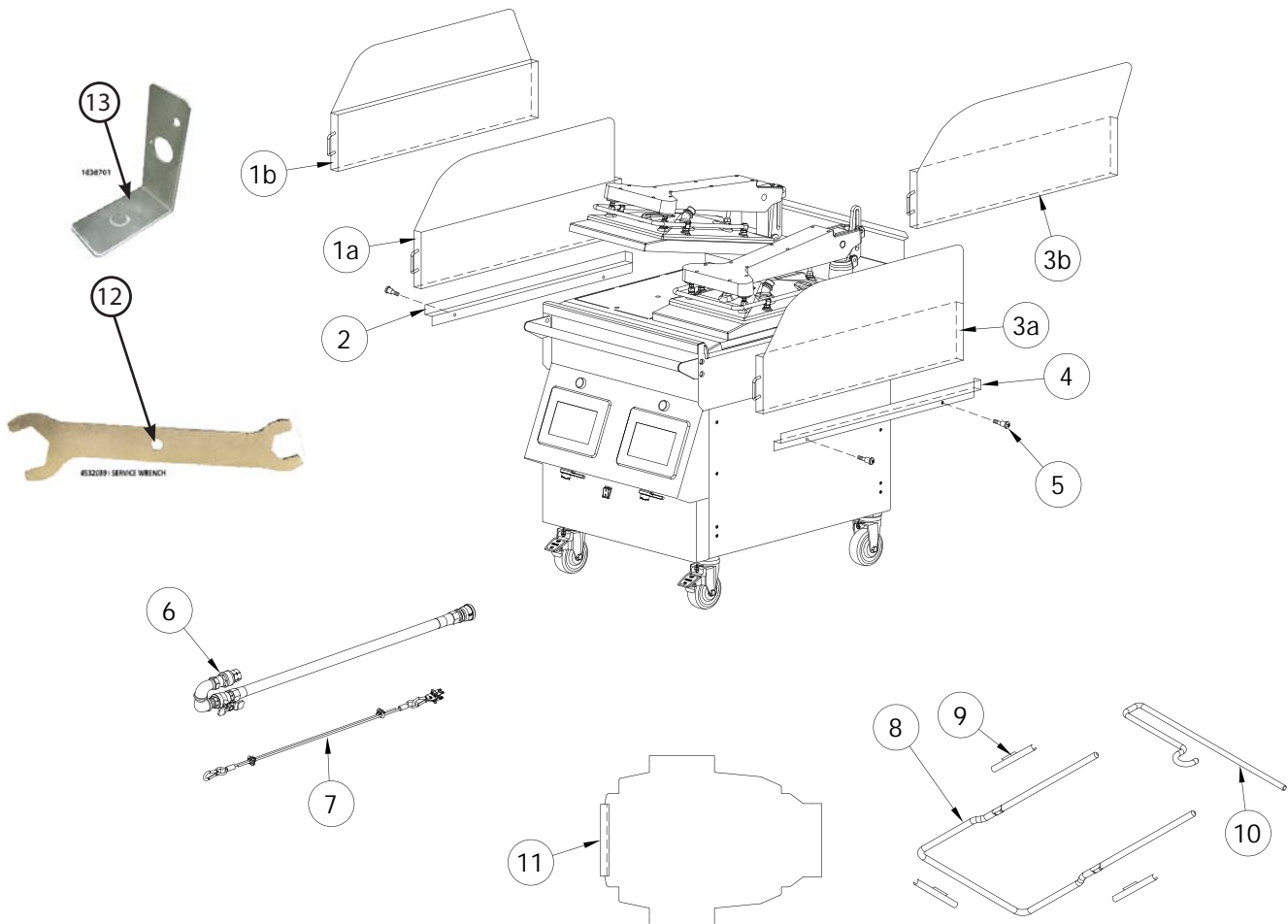


Item 30



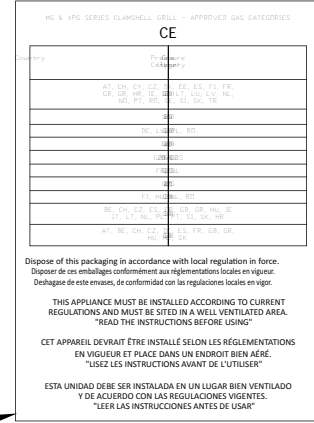
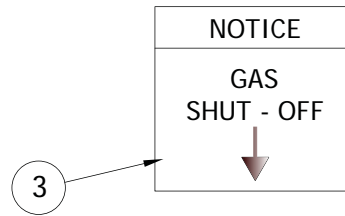
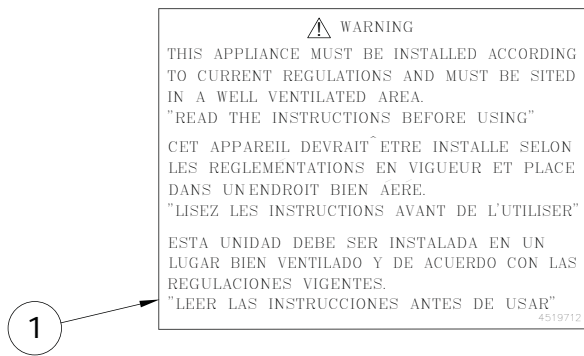
Item 27

## Accessories - All Models



Item#	Part#	Description	Qty	Critical or Recommended
1a	4601357	Grease Drawer Assembly - Left Side Full-Straight	1	
1b	4601442	Grease Drawer Assembly - Left Side Full-Flared	1	
2	4600207	Drawer Slide Left - GM	1	
3a	4601358	Grease Drawer Assembly - Right Side Full-Straight	1	
3b	4601443	Grease Drawer Assembly - Right Side Full-Flared	1	
4	4600208	Drawer Slide Right GM	1	
5	F298N	Shoulder Bolt Nickel Plated	4	
6	4601265	Gas QD & Shut Off Valve Assy 3/4in (2 & 3 Platen Gas Model Only)	1	
	4601266	Gas QD & Shut Off Valve Assy 1/2in (1 platen Gas Model Only)	1	
7	4601483	Adjustable Restraining Cable Assembly with Hardware (Gas Model Only)	1	
8	4600598	U-Bar - GM, Pearl	1 per lane	
9	4527294	Teflon Sheet Clip	3 per lane	R
10	4600722	Teflon Rear Loop Hanger	1 per lane	
11	4600866	Teflon Sheet - Gen Mrket with Rear Loop	1 per lane	R
12	4532089	Service Wrench	1	
13	1838701	Platen Levelling Tool	1	

# Information / Warning Stickers



Item#	Part#	Description	Qty	Critical
1	4519712	Label - CE Warning	1	
2	4522374	Label, Pull Plugs	1	
3	4527792	Label, Gas Shut-Off	1	
4	4601259	Label CE Gas Pearl Clamshell	1	
5	1286000	Label Use Only Leg or Casters	1	

Note: Stickers should not be removed under any circumstance, if sticker is damaged replace it immediately.



## Electrical Schematic Diagrams - All Models

---

Electrical schematic diagrams are combined by lanes, right, middle and left lanes. For 1 platen total of one sheet, 2 platen total of two sheets, 3 platen total of three sheets.

Electric General Market (WYE connection)

	<b>Part#</b>	<b>Description</b>
1 PLATEN	4532832	1 Platen - XPE12 WYE
2 PLATEN	4532832	2 Platen - XPE24 WYE
	4532833	
3 PLATEN	4532832	3 Platen - XPE36 WYE
	4532833	
	4532834	

Gas General Market (WYE connection)

	<b>Part#</b>	<b>Description</b>
1 PLATEN	4532835	1 Platen - XPG12 WYE
2 PLATEN	4532835	2 Platen - XPG24 WYE
	4532836	
3 PLATEN	4532835	3 Platen - XPG36 WYE
	4532836	
	4532837	

Electric General Market (DELTA connection)

	<b>Part#</b>	<b>Description</b>
1 PLATEN	4532838	1 Platen - XPE12 DELTA
2 PLATEN	4532838	2 Platen - XPE24 DELTA
	4532839	
3 PLATEN	4532838	3 Platen - XPE36 DELTA
	4532839	
	4532840	






Gas General Market (DELTA connection)

	<b>Part#</b>	<b>Description</b>
1 PLATEN	4532841	1 Platen - XPG12 DELTA
2 PLATEN	4532841	2 Platen - XPG24 DELTA
	4532842	
3 PLATEN	4532841	3 Platen - XPG36 DELTA
	4532842	
	4532843	







\* Electrical schematic diagrams are not illustrated.

## Wiring Harnesses - All Models

Electrical wiring harnesses are combined by zones, left, middle and right lanes.

 <p style="text-align: center;">4532490 HARNESS POWER DISB L UL (left)</p>	 <p style="text-align: center;">4532489 HARNESS POWER DISB M UL (middle)</p>	 <p style="text-align: center;">4532458 HARNESS POWER DISB R UL (right)</p>
<p>4532490 : HARNESS POWER DISB L (left) UL From: SSRB Heatsink To: Power Supply</p>	<p>4532489 : HARNESS POWER DISB M (middle) UL From: SSRB Heatsink To: Power Supply</p>	<p>4532458 : HARNESS POWER DISB R (right) UL From: SSRB Heatsink To: Power Supply</p>
	<p>1 platen (middle)</p>	
<p>2 platen (left)</p>	<p>2 platen (middle)</p>	
<p>3 platen (left)</p>	<p>3 platen (middle)</p>	<p>3platen (right)</p>
 <p style="text-align: center;">4532501 HARNESS POWER DISB LEFT CE</p>	 <p style="text-align: center;">4532500 HARNESS POWER DISB MIDDLE CE</p>	
<p>4532501 : HARNESS POWER DISB L (left) CE From: SSRB Heatsink To: Power Supply</p>	<p>4532500 : HARNESS POWER DISB M (middle) CE From: SSRB Heatsink To: Power Supply</p>	
	<p>1 platen (middle)</p>	
<p>2 platen (left)</p>	<p>2 platen (middle)</p>	

## Wiring Harnesses - All Models

 <p style="text-align: center;"><b>4532622</b> <b>HARNESS GRILL</b> <b>LIMIT SW. G</b></p>	 <p style="text-align: center;"><b>4532626</b> <b>HARNESS GRILL HEATER (Electric)</b></p>	 <p style="text-align: center;"><b>4532624</b> <b>HARNESS GRILL</b> <b>HEATER GAS</b></p>
<p>4532622 : HARNESS GRILL LIMIT SW. G From: Thermostat To: Main harness</p>	<p>4532626 : HARNESS GRILL HEATER E From: To:</p>	<p>4532624 : HARNESS GRILL HEATER GAS From: Front Heater Element To: SSRB Heatsink Assembly</p>
<p>1, 2 &amp; 3 platen gas only</p>	<p>1, 2 &amp; 3 platen electric only</p>	<p>1, 2 &amp; 3 platen gas only</p>
 <p style="text-align: center;"><b>4532625</b> <b>HARNESS GRILL</b> <b>THERMOSTAT E</b></p>	 <p style="text-align: center;"><b>4532463 : HARNESS</b> <b>POWER SWITCH</b></p>	 <p style="text-align: center;"><b>4601775 : W/H Terminal Block Y</b></p>
<p>4532625 : HARNESS GRILL THERMOSTAT E From: To:</p>	<p>4532463 : HARNESS POWER SWITCH From: Main Power Switch To: Harness 4601775</p>	<p>4601775 : HARNESS TEMINAL BLOCK From: Harness Power Switch To: Terminal Blocks</p>
<p>1, 2 &amp; 3 platen electric only</p>	<p>1, 2 &amp; 3 platen all models</p>	



1-844-724-CARE • [www.mtwkitchencare.com](http://www.mtwkitchencare.com)