

cod.DW135P

data:19/02/2025

**Catalogo ricambi
Spare parts catalog
Catalogue de pièces détachées
Ersatzteilkatalog
Catálogo de repuestos
Catálogo de peças de reposição
Каталог запасных частей**

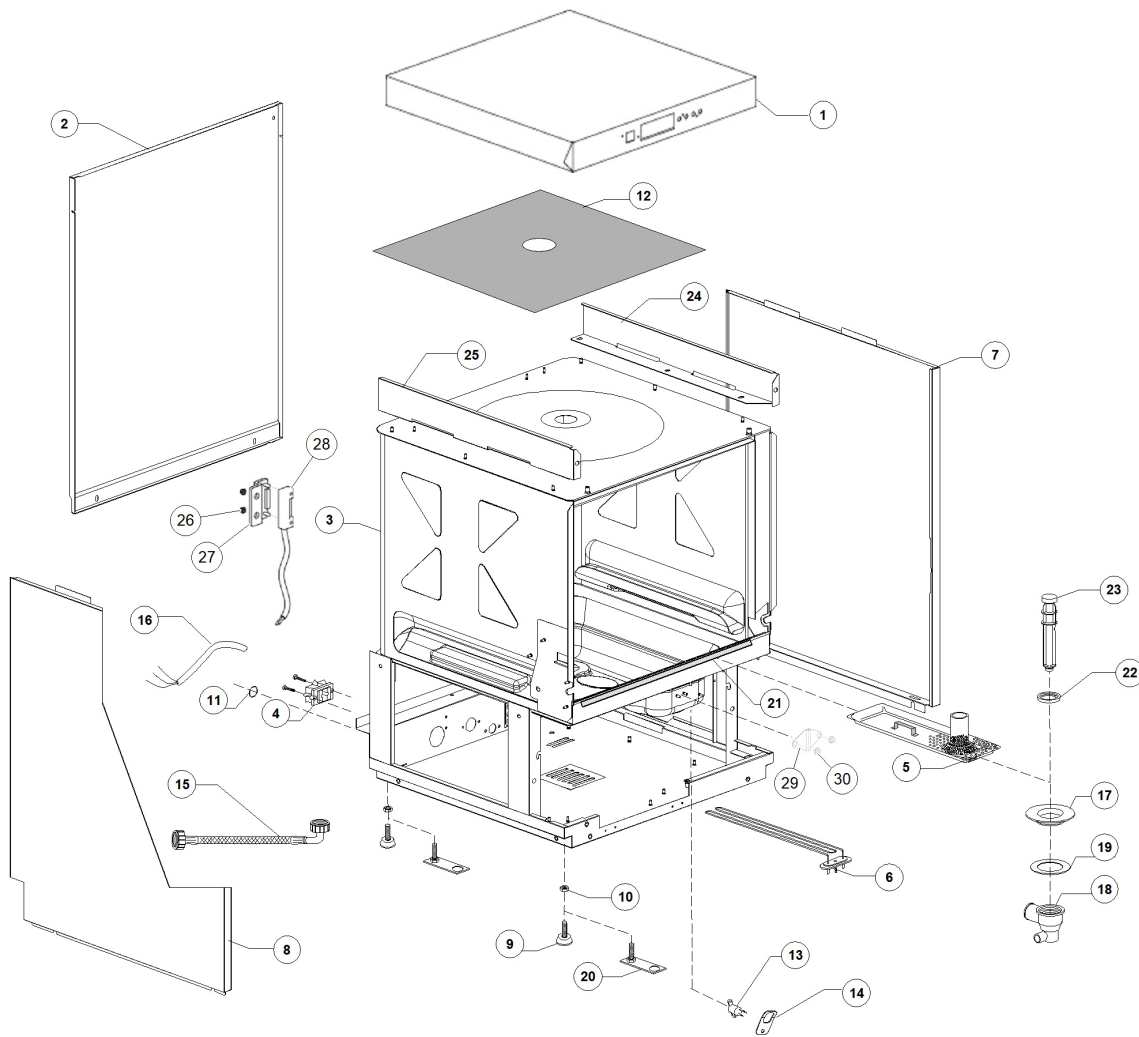
ELGF500 380-400/3N/50 Hz



S/N:DWT1000212



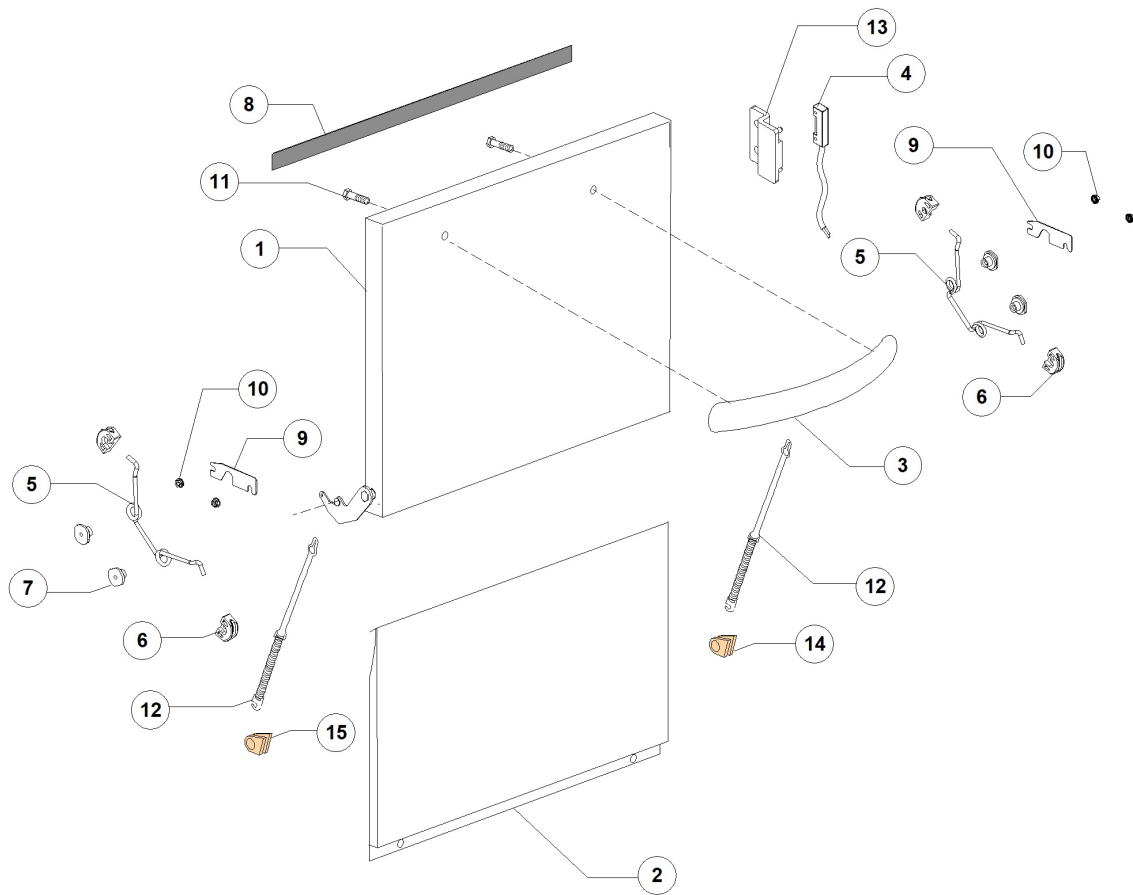
ELGF500 380-400/3N/50 Hz - DWT1000212 - Gruppo carrozzeria - DW135P



ELGF500 380-400/3N/50 Hz - DWT1000212 - Gruppo carrozzeria - DW135P

Pos.	Codice	Descrizione	Description
1	DW580501	COPERCHIO ELEC 500 PLUS MOSTRINA CORTA	.
2	DW530005	SCHIENALE OPTIMA II/ELC 500	BACK PANEL OPTIMA II/ELC 500
3	DW580001	CARROZZERIA ELECTRON II 500 NORMALE	BODYWORK ELECTRON II 500
4	DW15065/A	FISSACAVO PER VITI AUTOF (NR.2x11007)	CABLE-FASTENER WITH SCREW
5	DW560925	ASSIEME FILTRO SUPERFICE VASCA T.6	TANK SURFACE FILTER
6	DW150047	RESIST.2700/2940W 230/240V 1	2700/2940W 230/240V 1 HEATING ELEM.
7	DW530007	FIANCO DX OPTIMA II/ELC 500	RIGHT SIDE OPTIMA II/ELC 500
8	DW530008	FIANCO SX OPTIMA II/ELC 500	LEFT SIDE OPTIMA II/ELC 500
9	DW10786	PIEDINO M10X35 DIAM.30 NERO	M10X35 D.30 BLACK FOOT
10	DW11711	DADO M10 ZINCATO DIN934	ZINC PLATED NUT M10 (MIN. 20PCS)
11	DW13323	PASSACAVO IN GOMMA D.13	RUBBER FAIRLEAD D.13 (MIN. 2 PCS)
12	DW561064	COIBENTE TETTO TOP50	INSULATING SHEET
13	DW15552/B	TERMOST. SICUR.VASCA KLIXON SENZA STAFFA	KLIXON TANK SAFETY THERMOSTAT
14	DW15552/A	STAFFETTA PER THERMOSTATO VASCA KLIXON	THERMOSTAT SUPPORT
15	DW10726	CANNA CARICO PICC. WRAS m1,5x3/4 EN61770	LOAD PIPE WRAS M1,5x3/4 EN61770
16	DW15104/B	CAVO ALIMENTAZIONE 3X4X2500 NEOPRE	CABLE 3X4X2500 NEOPRE
16	DW15118	CAVO ALIMENTAZIONE 5x2,5x2500	CABLE 5x2,5x2500
16	DW15145	CAVO ALIM. 4X4X2500	CABLE 4X4X2500
17	DW500601	GHIERA PER POZZETTO	RING NUT
18	DW500606	POZZETTO CON SCARICO LATERALE DX	RIGHT SIDE SCRAP TRAY
19	DW80208	GUARNIZIONE RAMPA LP2 DIAM.95X75X3	RISER GASKET D.95X75X3 (MIN. 2 PCS)
21	DW560013	GUARNIZIONE SOTTOPT.T.6 PROFILO B.13	PROFILE FOR LOWER DOOR SEAL
22	DW13021	GUARNIZIONE DEM 40 PER TROPPOPP. GS	OVERFLOW PIPE GASKET DEM 40 (MIN. 2 PCS)
23	DW560020	TROPPOPP.CON TAPPO D'ARIA TEKNO 6 PS	OVERFLOW PIPE WITH AIR PLUG TEKNO 6.0 PS
24	DW530019	SUPPORTO COPERC. DX AVVITATO OPTIMA II	RIGHT COVER SUPPORT OPTIMA II
25	DW530020	SUPPORTO COPERC. SX AVVITATO OPTIMA II	LEFT COVER SUPPORT OPTIMA II
26	DW11725	DADO FLA.ZIGR.M4 INOX A/2 DIN6923	S/S FLANGE NUT M4 A/2 DIN6923
27	DW500982	STAFFA FISSAGGIO MICRO PORTA	RING NUT FOR RISER PLUG
28	DW10778	MICROCONTATTO MAGNETICO REED	DOOR MICROSWITCH
29	DW560061	STAFFA SUPPORTO SONDA	
30	DW11725	DADO FLA.ZIGR.M4 INOX A/2 DIN6923	S/S FLANGE NUT M4 A/2 DIN6923

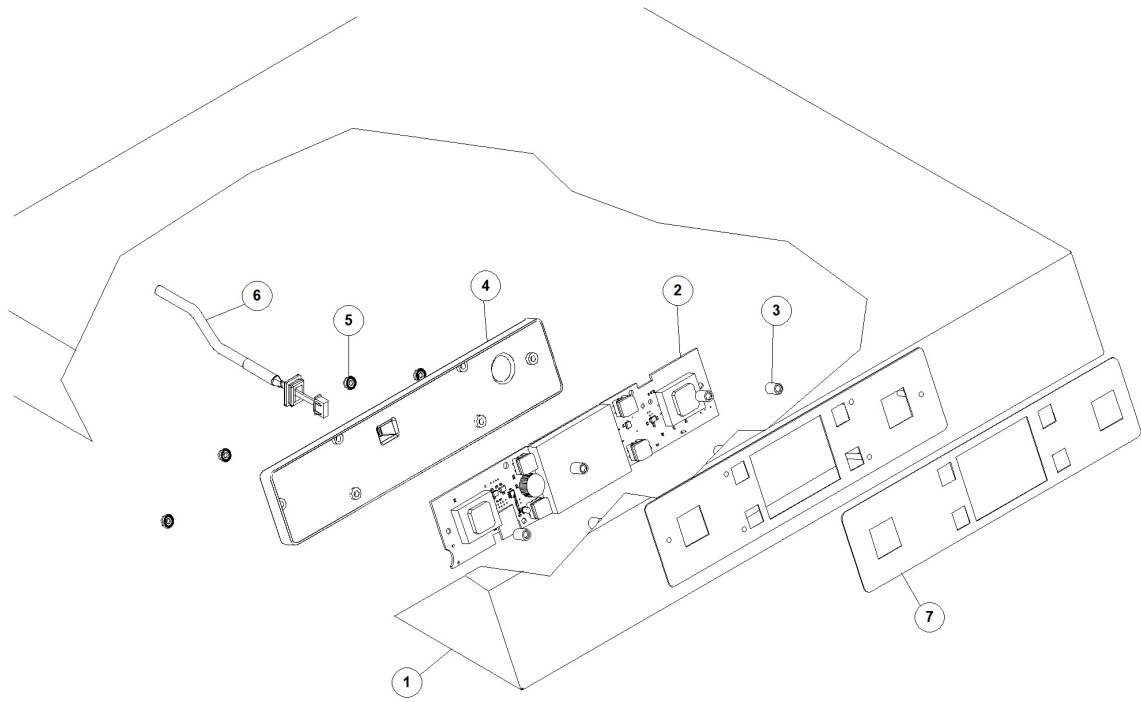
ELGF500 380-400/3N/50 Hz - DWT1000212 - Porta - DW135P



ELGF500 380-400/3N/50 Hz - DWT1000212 - Porta - DW135P

Pos.	Codice	Descrizione	Description
1	DW530003	PORTA OPTIMA II 500/ELC (MAN. TUBO)	OPTIMA II 500/ELC DOOR FOR TUBE HANDLE
2	DW560920/J	SOTTOPORTA TEKNO 6.0 ENODIS	
3	DW22261	MANIGLIA INOX IN TUBO Å~30 INT.340	
4	DW10778	MICROCONTATTO MAGNETICO REED	DOOR MICROSWITCH
5	DW530422	MOLLA APERTURA PARZIALE ELECTR/OPTIMA II	PARTIAL OPENING DOOR SPRING
6	DW530423	SCORRIMENTO PER MOLLA BLOCCO PORTA	SLIDING FOR DOOR LOCK SPRING
7	DW530424	BOCCOLA FISSAGGIO MOLLA ELECTR/OPTIMA II	SPRING FIXING BUSH ECL/OPTIMA II
8	DW560021	PROFILO GUARNIZIONE PORTA T.6 E T.4	PROFILE FOR DOOR SEAL
9	DW530013	PIASTRA CONTENIM. PORTA OPTIMA II 500	DOOR REINFORCEMENT PLATE
10	DW11725	DADO FLA.ZIGR.M4 INOX A/2 DIN6923	S/S FLANGE NUT M4 A/2 DIN6923
11	DW530421	VITE M6x25 INOX TSP DIN 965 TX	M6X25 TSP S/S SCREW DIN 965 TX
12	DW560003	MOLLA SPORTELLO TEK6 FILO 1,7 DE12	DOOR SPRING
13	DW500982	STAFFA FISSAGGIO MICRO PORTA	RING NUT FOR RISER PLUG
14	DW560006	GOMMINO DX PER CERNIERA PORTA TEK.6	DOOR HINGE RIGHT RUBBER LOCK (MIN. 2PCS)
15	DW560007	GOMMINO SX PER CERNIERA PORTA TEK.6	DOOR HINGE LEFT RUBBER LOCK (MIN. 2PCS)

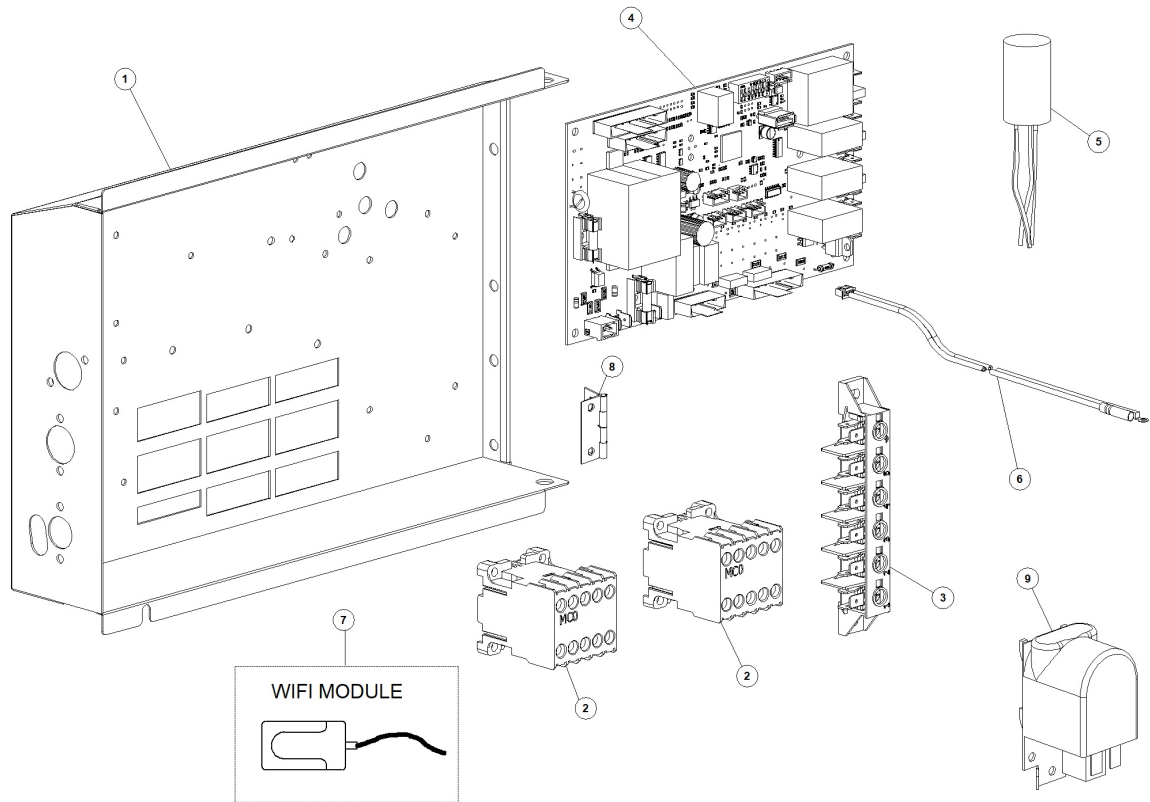
ELGF500 380-400/3N/50 Hz - DWT1000212 - Pannello comandi - DW135P



ELGF500 380-400/3N/50 Hz - DWT1000212 - Pannello comandi - DW135P

Pos.	Codice	Descrizione	Description
1	DW580501	COPERCHIO ELEC 500 PLUS MOSTRINA CORTA	.
2	DW580900	SCHEDA MADRE ELEC 400-500 PLUS/2023 (BL)	.
2	DW580901	TASTIERA CON DISPLAY ELEC PLUS 2023 (M)	KEYBOARD WITH DISPLAY ELEC PLUS 2023 (M)
3	DW50561	DIST. SCHEDE ELETTR. 2009 D.8X10	MAINBOARD SPACER D.8X10
4	DW580402	SCATOLA PROT. DISPLAY ELEC II (580401)	ELECTRONIC BOARD PROTECTION BOX (580401)
5	DW11725	DADO FLA.ZIGR.M4 INOX A/2 DIN6923	S/S FLANGE NUT M4 A/2 DIN6923
6	DW580404	CAVETTO L2,5M DISPLAY ELECTRON II	ELECTRON II DISPLAY CABLE L2500
7	DW580903	MOSTRINA ELECTRON PLUS DIHR/23	CONTROL OVERLAY PLUS DIHR/23

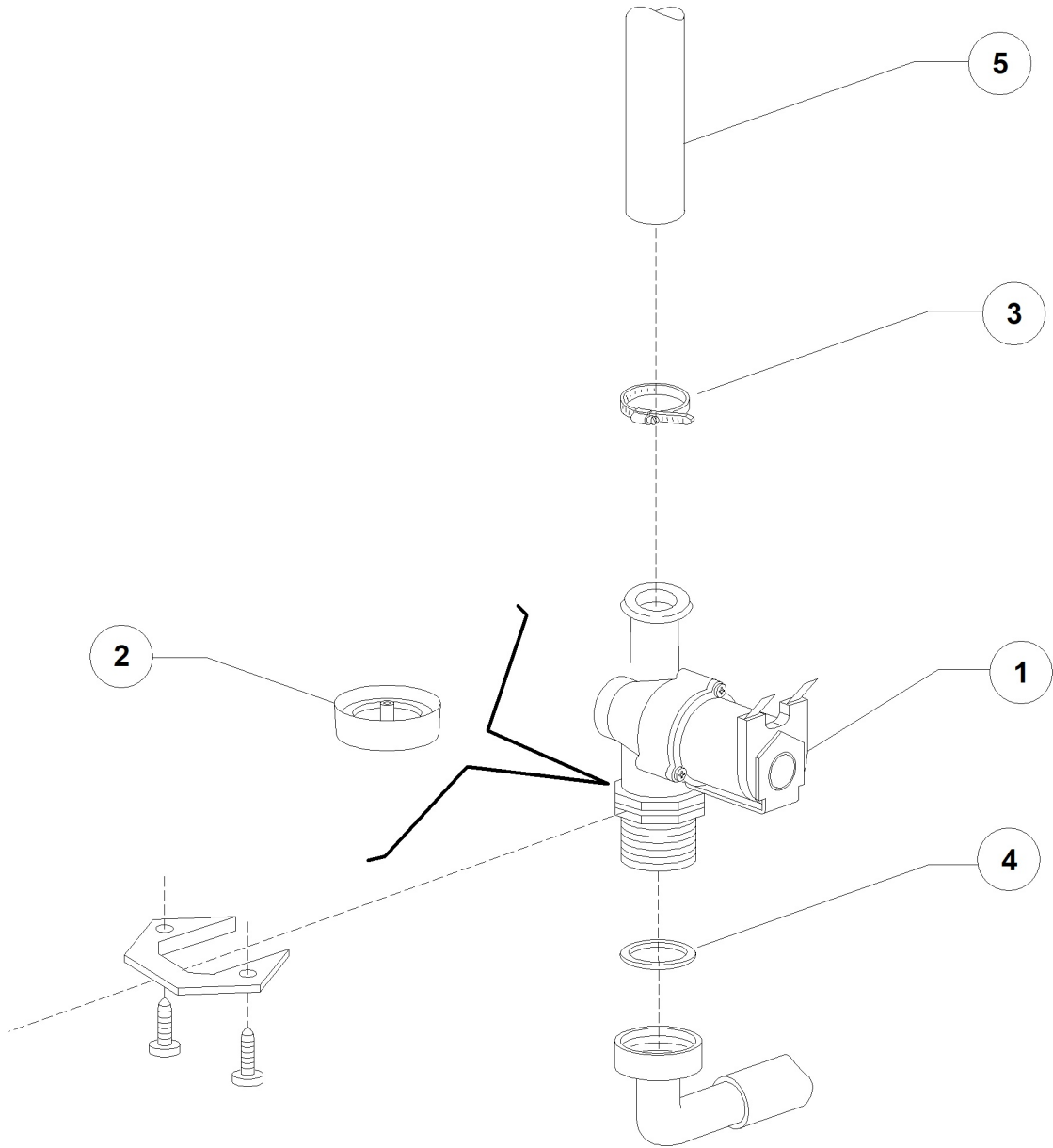
ELGF500 380-400/3N/50 Hz - DWT1000212 - Componenti elettrici - DW135P



ELGF500 380-400/3N/50 Hz - DWT1000212 - Componenti elettrici - DW135P

Pos.	Codice	Descrizione	Description
1	DW560921	PORTACOMPONENTI ELETTR.TEKNO 6.0	ELECTRIC COMPONENTS PANEL T6.0
2	DW15086	TELERUTTORE 230V 50/60Hz 4C AC3(6A)	CONTACTOR 230V 50/60Hz 4C AC3(6A)
3	DW500551	MORSETTIERA 6 POLI KL116/6	TERMINAL BOARD 6 POLES FV122 RED
4	DW580400	SCHEDA MADRE 2021 NO FIRMWARE (M)	MAINBOARD 2021 (NO SOFTWARE)
5	DW15149	FILTRO ANTIDIS.F3 (CX0.47MF)	LOW NOISE FILTER F3 (CX0.47MF)
6	DW91172	SONDA 2NSNE1,55/6E15NCE C9CONJST007 N/G	THERMOSTAT PROBE DIHRECO2
9	DW15675	FILTRO ANTIDISTURBO ISKRA KPL3524	ANTIJAMMING FILTER F3 (CX0.47MF)

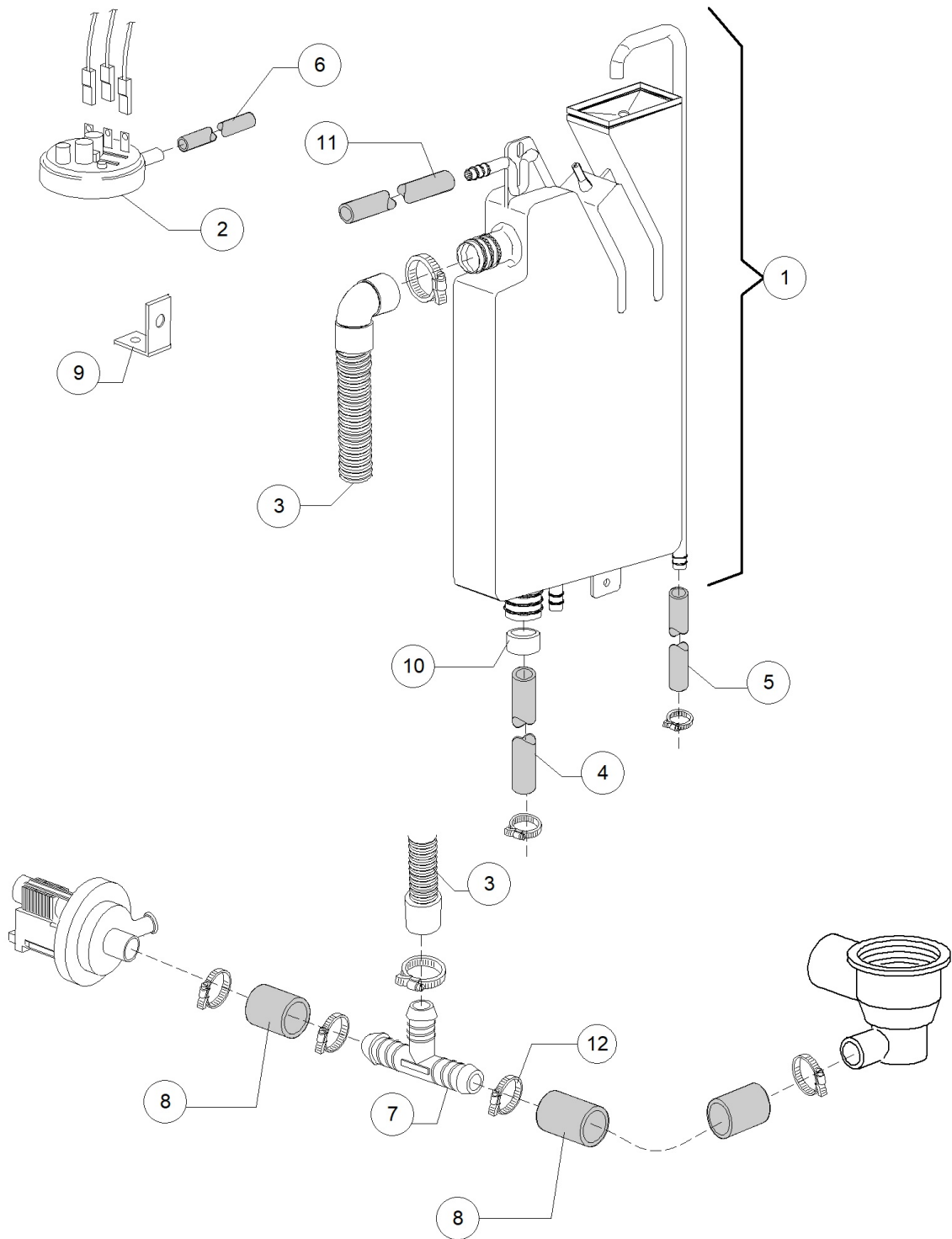
ELGF500 380-400/3N/50 Hz - DWT1000212 - Valvola di carico - DW135P



ELGF500 380-400/3N/50 Hz - DWT1000212 - Valvola di carico - DW135P

Pos.	Codice	Descrizione	Description
1	DW10703	ELETTROV. SING. H20 230V DIS.LS036	SINGLE SOLENOID VALVE H20 230V
3	DW11807	FASCETTE AISI 430 12/22	CLAMP 12/22 AISI 430
4	DW13307	GUARNIZ. 3/4 CARICO ACQUA POTABILE	GUARNIZ. 3/4 CARICO H20 DIS.LS061
5	DW14506	TUBO GOMMA DIAM 9,5X16 EPDM	9,5X16 EPDM RUBBER HOSE
5	DW2907351	TUBO GOMMA EPDM 11,5X19	11,5X19 EPDM RUBBER HOSE
5	DW2907352	TUBO GOMMA PVC WRAS BT	PVC WRAS RUBBER HOSE

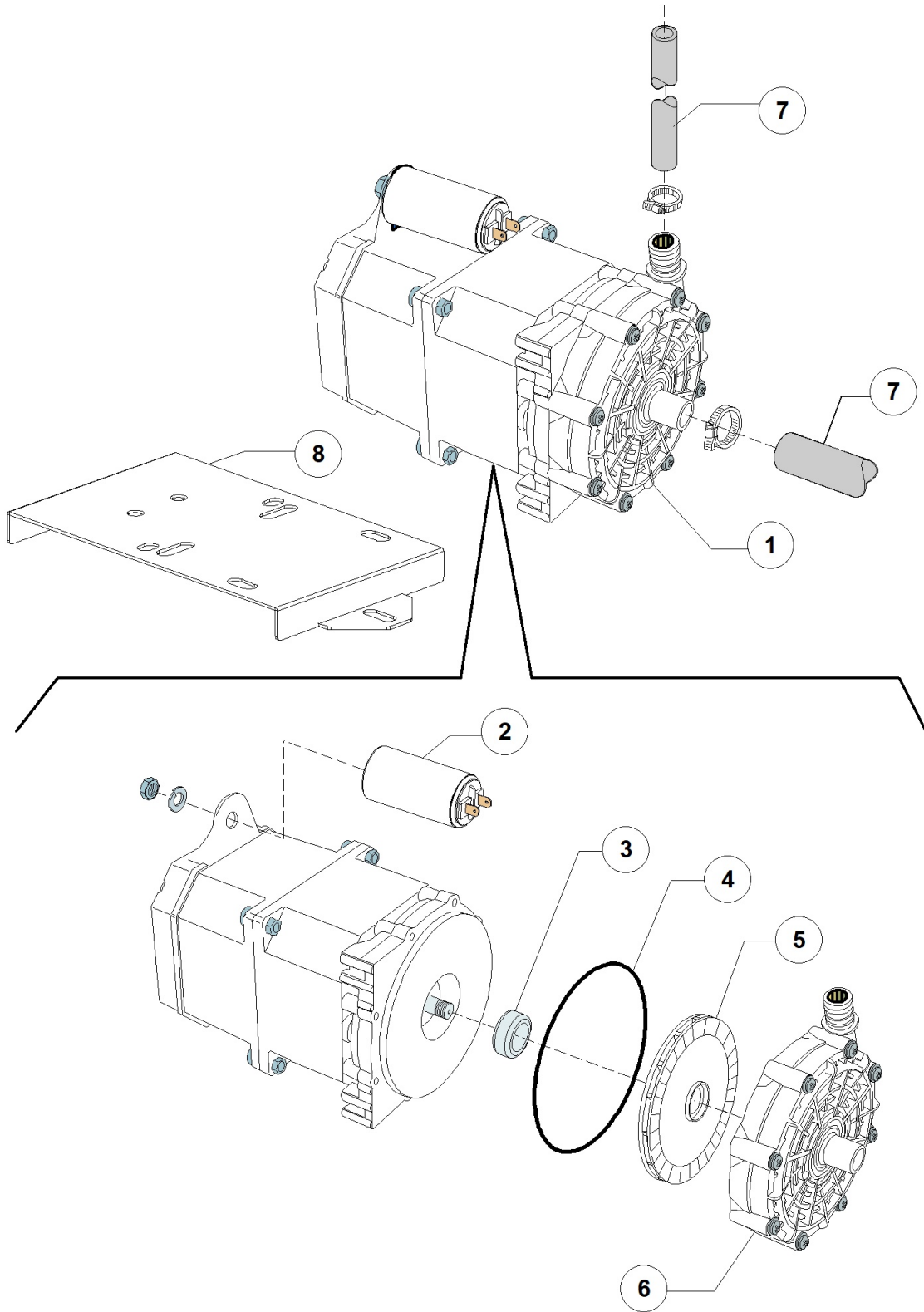
ELGF500 380-400/3N/50 Hz - DWT1000212 - Break Tank - DW135P



ELGF500 380-400/3N/50 Hz - DWT1000212 - Break Tank - DW135P

Pos.	Codice	Descrizione	Description
1	DW15735	ASSIEME BREAK TANK 2.4	BREAK TANK ASSEMBLY 2.4LT
2	DW10706/A	"PRESSOSTATO "EL." 46-26"	PRESSURE SWITCH 46-26
3	DW15722	CANNA B.T. D28-90°/D24 DIRITTO L920	BREAK TANK MIDDLE PIPE D.28/24 L920
4	DW18044	TUBO DIAM.28 EPDM LAV.SUP. STAR	D.28 EPDM PIPE
5	DW2907352	TUBO GOMMA PVC WRAS BT	PVC WRAS RUBBER HOSE
6	DW14508	TUBO EPDM 4.5X9 PER PRESSOSTATO	EPDM HOSE 4.5X9 FOR PRESSURE SWITCH
7	DW540098	DERIV. 3VIE T D25 PLASTICA	PLASTIC Y-PIECE D.25
8	DW561067	TUBO D28-26 EPDM PER DERIV.3VIE	HOSE EPDM D.28/26
9	DW135314	STAFFA PRESSOSTATO SERIE K	PRESSURE SWITCH SUPPORT
11	DW14506	TUBO GOMMA DIAM 9,5X16 EPDM	9,5X16 EPDM RUBBER HOSE
12	DW11806	FASCETTE AISI 430 25/40	CLAMP 25/40 AISI 430

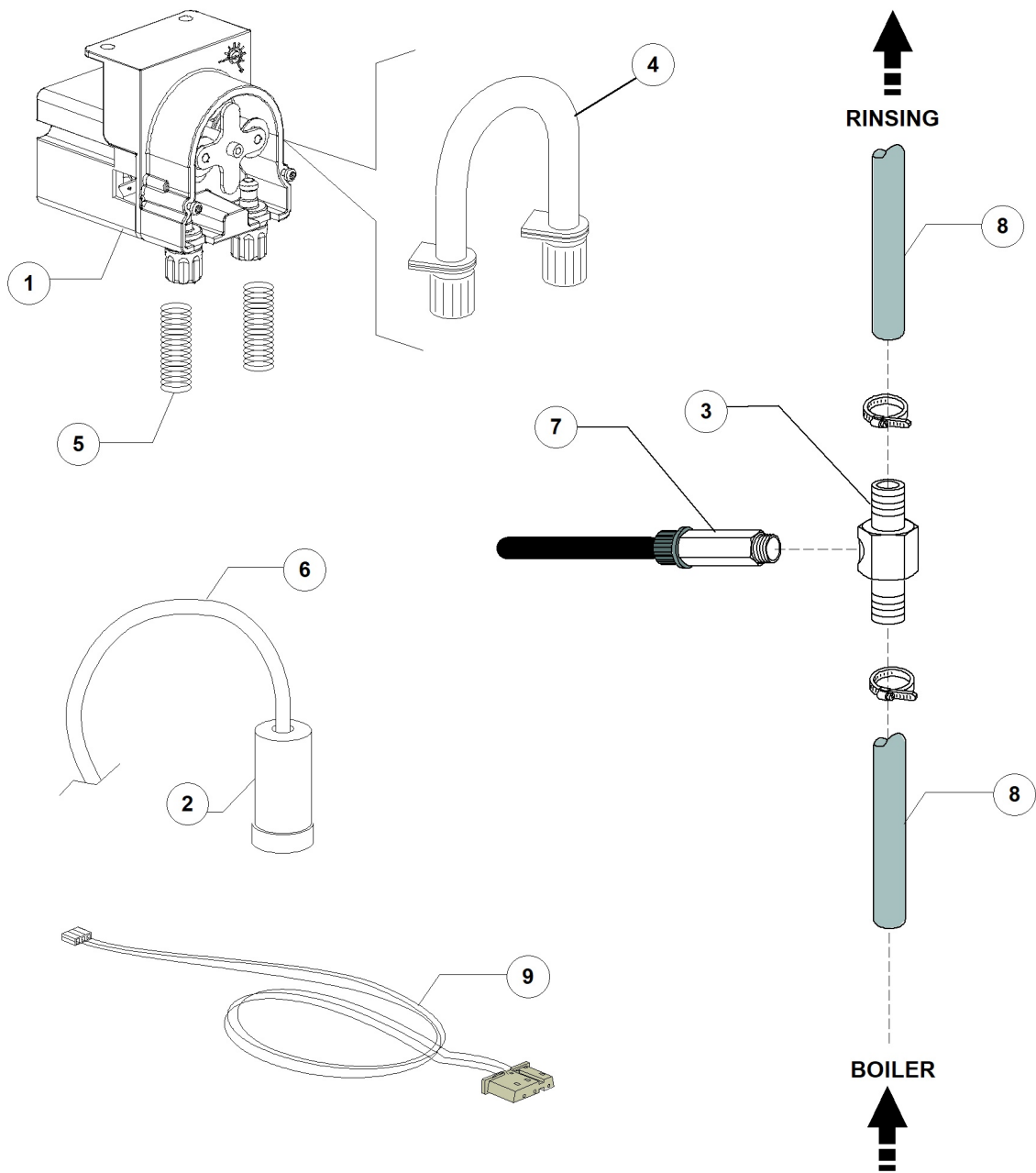
ELGF500 380-400/3N/50 Hz - DWT1000212 - Pompa risciaquo / PAP - DW135P



ELGF500 380-400/3N/50 Hz - DWT1000212 - Pompa risciaquo / PAP - DW135P

Pos.	Codice	Descrizione	Description
1	DW15100/DO	POMPA RISCIAQUO 220-240/50 (PLUS)	RINSE PUMP 220-240V/50HZ (PLUS)
2	DW16043	#CONDENSATORE POMPA uf8	uf8 CONDENSER
3	DW15100/S	TENUTE ROTANTI EPDM(15100/DO)	EPDM ROTARY SEAL (15100/DO)
4	DW15100/T	OR EPDM(15100/DO)	O-RING EPDM (15100/DO)
5	DW15100/U	#GIRANTE 90X2.5 (15100/DO)	PUMP ROTOR 90X2.5 (DW15100/DO)
6	DW15100/V	#CHIOCCIOLA ANTE. (15100/DO)	SCROLL FOR PUMP 15100/DO
7	DW2907351	TUBO GOMMA EPDM 11,5X19	11,5X19 EPDM RUBBER HOSE
8	DW23235	STAFFA SUPP. POMPA A.P.	BOOSTER PUMP SUPPORT

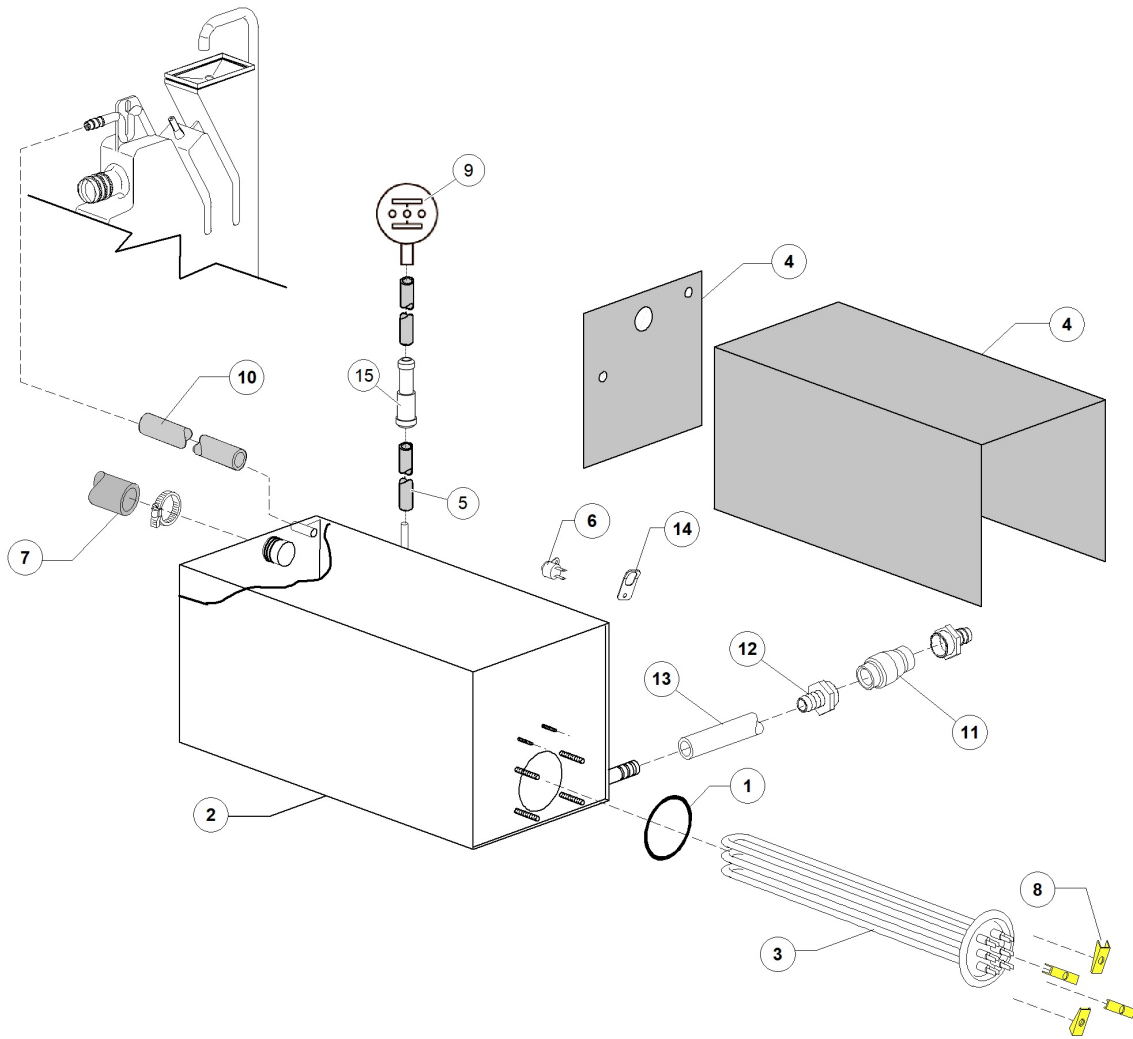
ELGF500 380-400/3N/50 Hz - DWT1000212 - Gruppo dosatore Brillantante - DW135P



ELGF500 380-400/3N/50 Hz - DWT1000212 - Gruppo dosatore Brillantante - DW135P

Pos.	Codice	Descrizione	Description
1	DW530461	DOS.BRILLANTANTE ELETTR. REG. DA FW 1l/h	ADJUST.RINSE AID DOSING PUMP 1l/h
2	DW15058	FILTRINO CON PESO ASPIR. DET/BRIL	SMALL FILTER (MIN. 3 PCS)
3	DW3003906/A	DERIV. A T ENTR. BRILL. SENZA TAPPO	"T-PIECE W/PLUG 1/8"
4	DW15186/C	TUBO MEMBRANA DOS BRIL CONTINUO	MEMBRANE TUBE FOR RINSE AID DISPENSER
5	DW10763	MOLLA D.05 INOX PER TUB. D.6x4 PVC	PIPE S/S SPRING
6	DW14502/A	TUBETTO PVC 6X4 VERDE	6X4 PVC GREEN SMALL PIPE
7	DW15122	VALVOLA 1/8G TENUTA EPDM	1/8G VALVE SEAL
8	DW2907351	TUBO GOMMA EPDM 11,5X19	11,5X19 EPDM RUBBER HOSE
9	DW530462	CAVO COMANDO DOSAT. BRILL. (x DW530400)	RINSE AID DISPENSER CONTROL CABLE

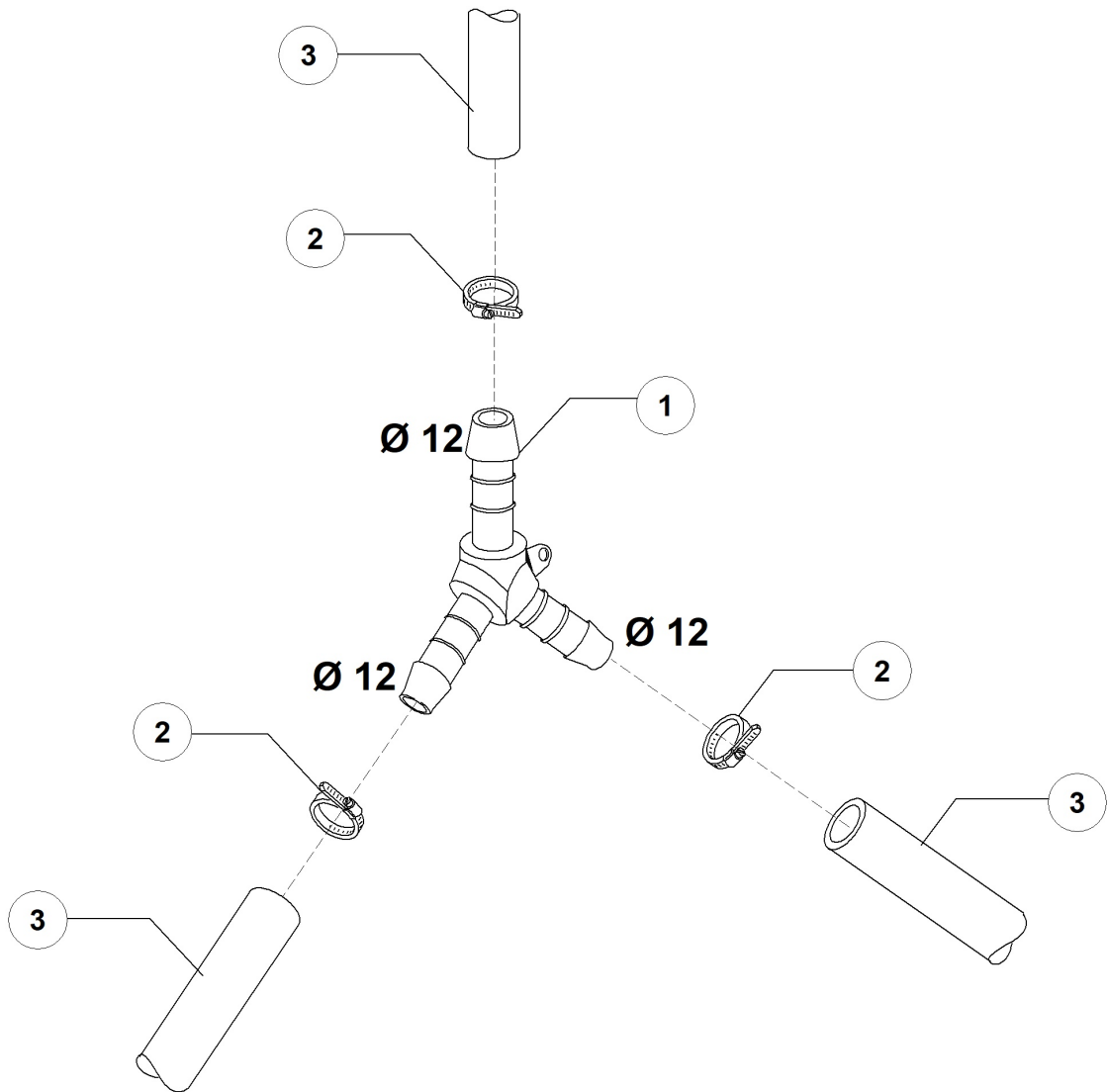
ELGF500 380-400/3N/50 Hz - DWT1000212 - Gruppo boiler - DW135P



ELGF500 380-400/3N/50 Hz - DWT1000212 - Gruppo boiler - DW135P

Pos.	Codice	Descrizione	Description
1	DW13005	GUARNIZIONE OR 151 NBR	O-RING 151 NBR (MIN. 5 PCS)
2	DW530009	BOILER RETT. 410X180X160 OPTIMA II	RECT.BOILER 430X180X200 TOP50 (AISI 304)
3	DW15089	RESIST.4500/4900W 230/240V 3	4500/4900W 230/240V 3 HEATING ELEM.
4	DW530414	KIT COIBENTANTE PER BOILER OPTIMA II 500	KIT INSULATION FOR BOILER OPTIMA II 500
5	DW14509	TUBO PRESSOSTATO 5X9	5X9 PRESSOSTAT HOSE
6	DW15550/A	TERM SICUR. CONTATTO KLIXON SENZA STAFFA	KLIXON SAFETY THERMOSTAT
7	DW18044	TUBO DIAM.28 EPDM LAV.SUP. STAR	D.28 EPDM PIPE
8	DW16045	STAFFE FISSAGGIO RESIST.FORO 6.3	HEATING ELEMENT MOUNTING BRACKET D.6,3
9	DW580916	PRESSOSTATO 180-130 (ELEC 400-500 PLUS)	PRESSURE SWITCH 180-130
10	DW14506	TUBO GOMMA DIAM 9,5X16 EPDM	9,5X16 EPDM RUBBER HOSE
13	DW2907351	TUBO GOMMA EPDM 11,5X19	11,5X19 EPDM RUBBER HOSE
14	DW15552/A	STAFFETTA PER TERMOSTATO VASCA KLIXON	THERMOSTAT SUPPORT
15	DW580912	RACCORDO TUBI PRESSOSTAT ELC400-500 PLUS	.

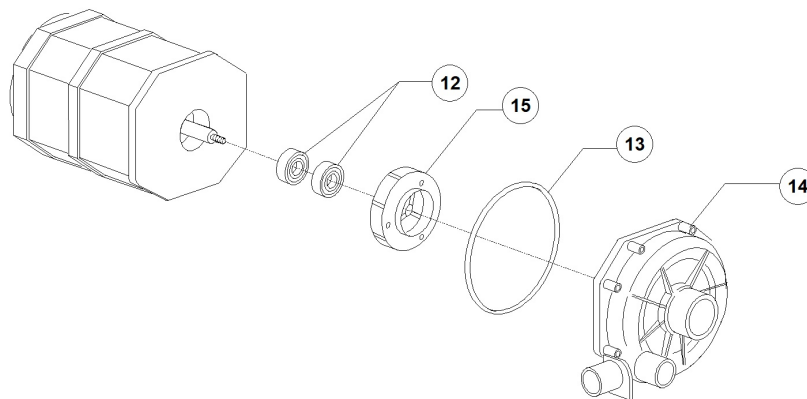
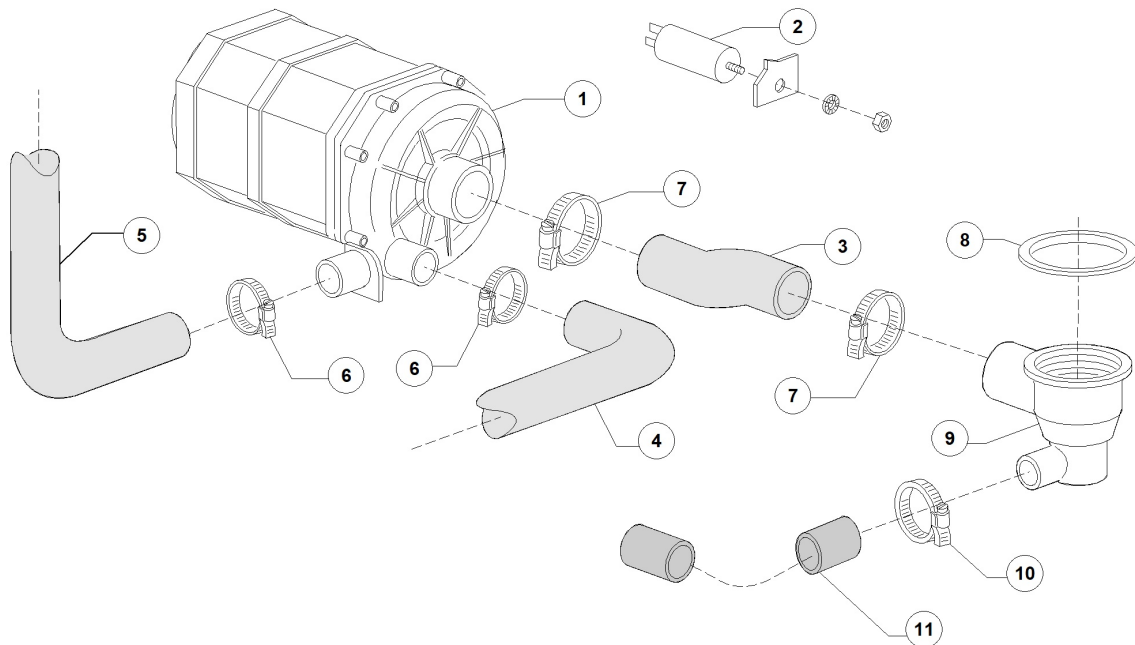
ELGF500 380-400/3N/50 Hz - DWT1000212 - Deviazione 3 vie - DW135P



ELGF500 380-400/3N/50 Hz - DWT1000212 - Deviazione 3 vie - DW135P

Pos.	Codice	Descrizione	Description
1	DW540091	DERIV. 3VIE Y D12 PLASTICA	PLASTIC Y-PIECE D.12
2	DW11807	FASCETTE AISI 430 12/22	CLAMP 12/22 AISI 430
3	DW2907351	TUBO GOMMA EPDM 11,5X19	11,5X19 EPDM RUBBER HOSE

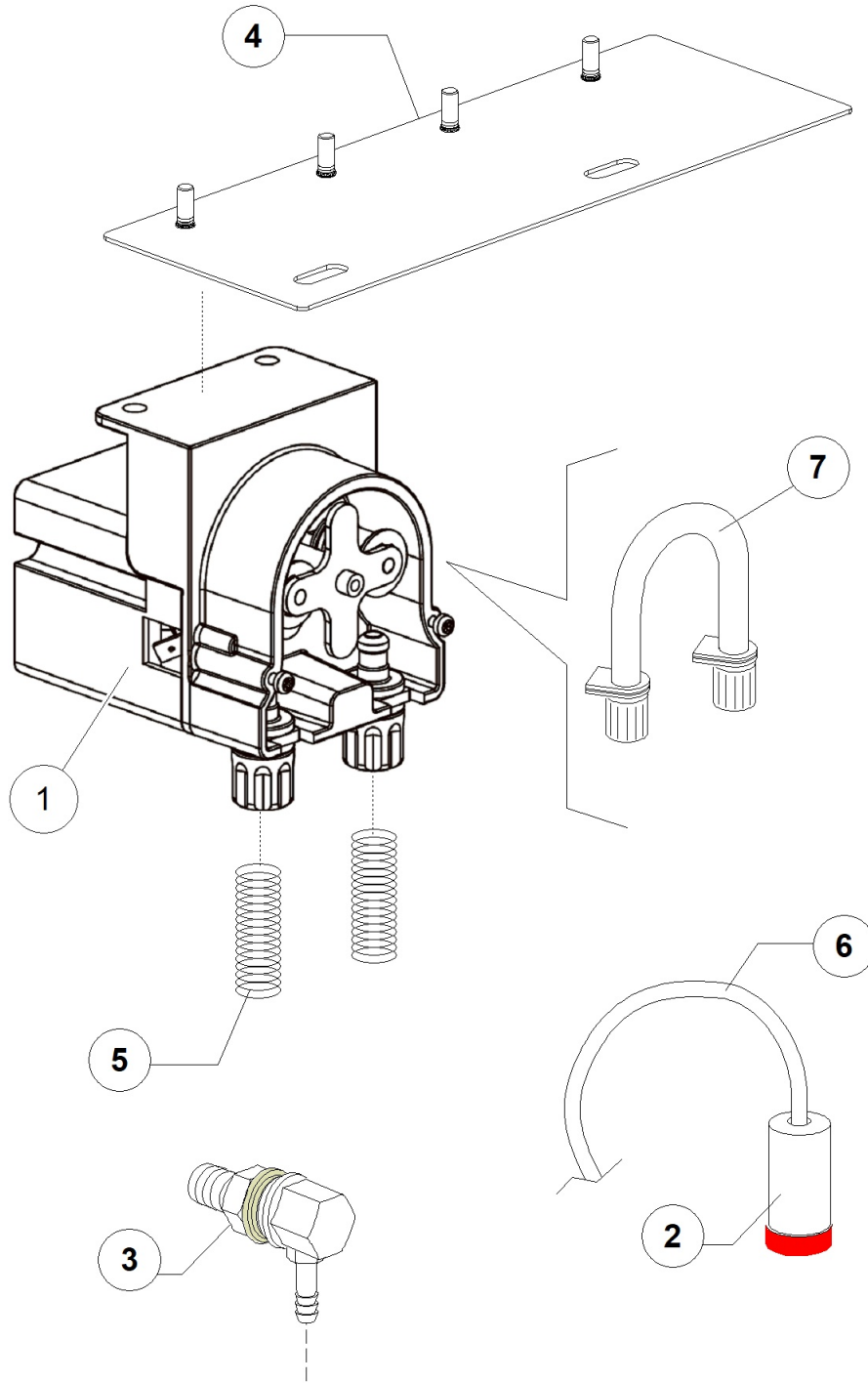
ELGF500 380-400/3N/50 Hz - DWT1000212 - Gruppo pompa di lavaggio - DW135P



ELGF500 380-400/3N/50 Hz - DWT1000212 - Gruppo pompa di lavaggio - DW135P

Pos.	Codice	Descrizione	Description
1	DW150914	POMPA HP0.7 TIPO 50 230V.50Hz CON F	PUMP HP0.7 230V/50HZ
2	DW15081/A	CONDENSATORE 16 uF.X450V.	16 UF CONDENSER
3	DW25032/A	MANICOTTO ASPIRAZ.GS50 DIAM.60/50	SUCTION PIPE COUPLING
6	DW11806	FASCETTE AISI 430 25/40	CLAMP 25/40 AISI 430
7	DW11824	FASCETTA AISI 430 50-70	CLAMP 50/70 AISI 430
8	DW80208	GUARNIZIONE RAMPA LP2 DIAM.95X75X3	RISER GASKET D.95X75X3 (MIN. 2 PCS)
9	DW500606	POZZETTO CON SCARICO LATERALE DX	RIGHT SIDE SCRAP TRAY
10	DW11806	FASCETTE AISI 430 25/40	CLAMP 25/40 AISI 430
11	DW18044	TUBO DIAM.28 EPDM LAV.SUP. STAR	D.28 EPDM PIPE
12	DW15080	PREMISTOPA+CONTROFACCIA	ROTATING SEALS
13	DW7130	#GUARNIZIONE OR POMPA	OR PUMP O-RING (MINIMUM 2 PIECES)
14	DW16182	#CHIOCCIOLA POMPA HP0.5 D.50X30	SCROLL
15	DW15079/F	#GIRANTE POMPA HP0.70 D.91C. GS50	PUMP ROTOR 0,70HP D.91

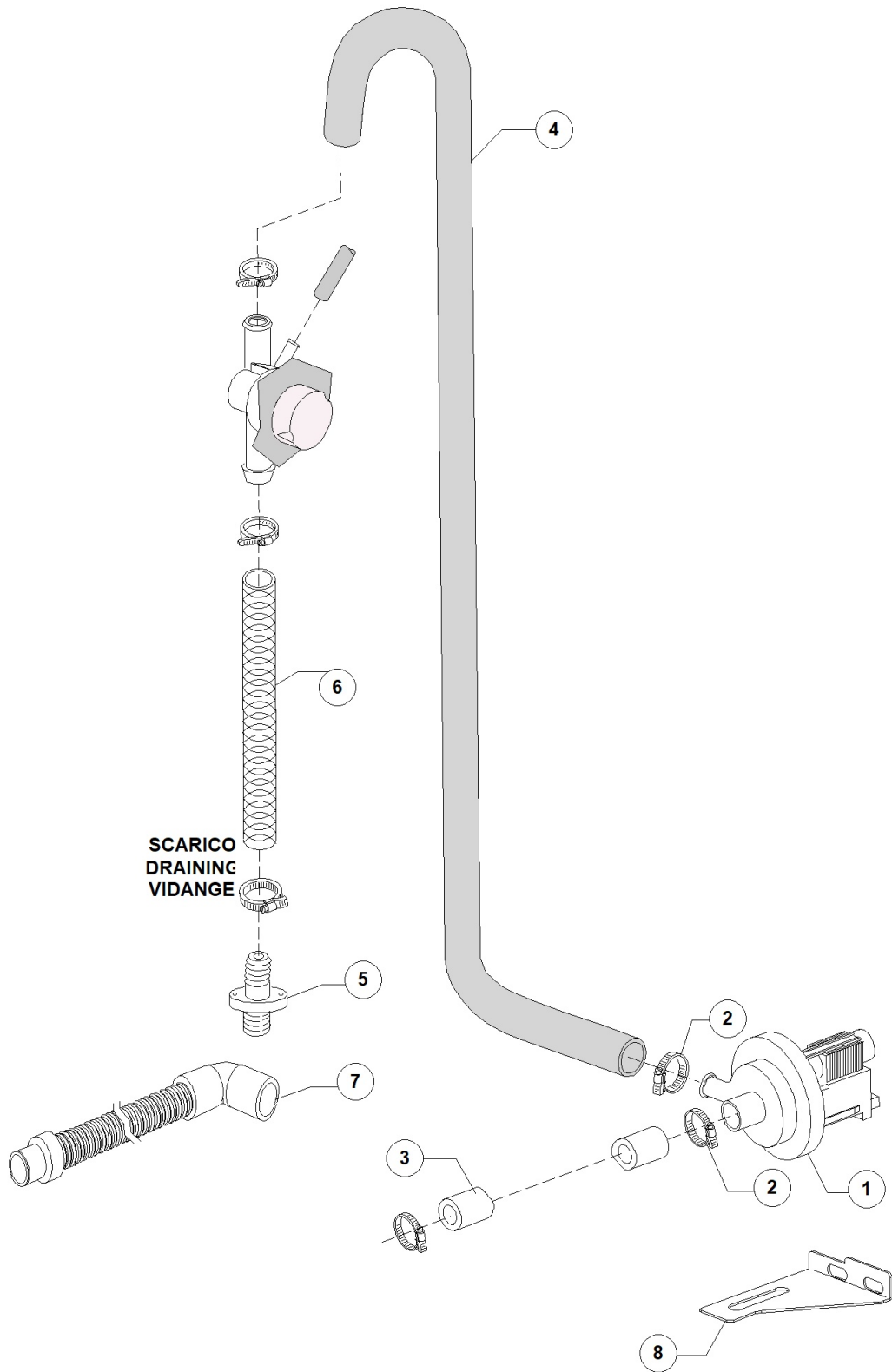
ELGF500 380-400/3N/50 Hz - DWT1000212 - Dosatore detersivo - DW135P



ELGF500 380-400/3N/50 Hz - DWT1000212 - Dosatore detersivo - DW135P

Pos.	Codice	Descrizione	Description
1	DW530460	DOS.DETERSIVO ELETTR. REG. DA FW 3l/h	ADJUST. DETERGENT DOSING PUMP 3l/h
2	DW15058	FILTRINO CON PESO ASPIR. DET/BRIL	SMALL FILTER (MIN. 3 PCS)
3	DW15123	INIETTORE DETER. A GOMITO INOX	S/S DOSING PUMP INJECTOR
5	DW10763	MOLLA D.05 INOX PER TUB. D.6x4 PVC	PIPE S/S SPRING
6	DW14503	TUBO PVC DIAM.6x4 TRASPARENTE	D.6X4 PVC TRANSPARENT HOSE
7	DW15297/T	TUBO TERMOPLASTICO DDE TECNOPRO	TECNOPRO DISPENSER THERMOPLASTIC HOSE

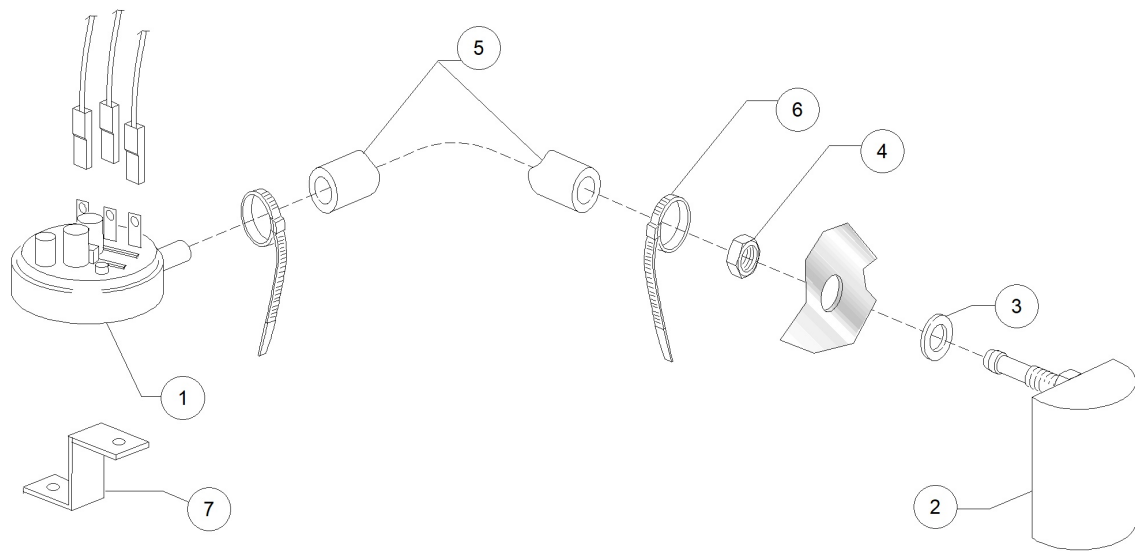
ELGF500 380-400/3N/50 Hz - DWT1000212 - Gruppo pompa di scarico - DW135P



ELGF500 380-400/3N/50 Hz - DWT1000212 - Gruppo pompa di scarico - DW135P

Pos.	Codice	Descrizione	Description
2	DW11806	FASCETTE AISI 430 25/40	CLAMP 25/40 AISI 430
3	DW18044	TUBO DIAM.28 EPDM LAV.SUP. STAR	D.28 EPDM PIPE
5	DW540207	RACCORDO SCARICO 20-28 TOP	PIPE FITTING 20-28 TOP
7	DW25031	CANNA SCARICO 1,5 MT 24-28 PIPA	DRAIN HOSE 1,5MT 24-28
8	DW560090	PIASTRINA FISSAGGIO POMPA SCARICO	

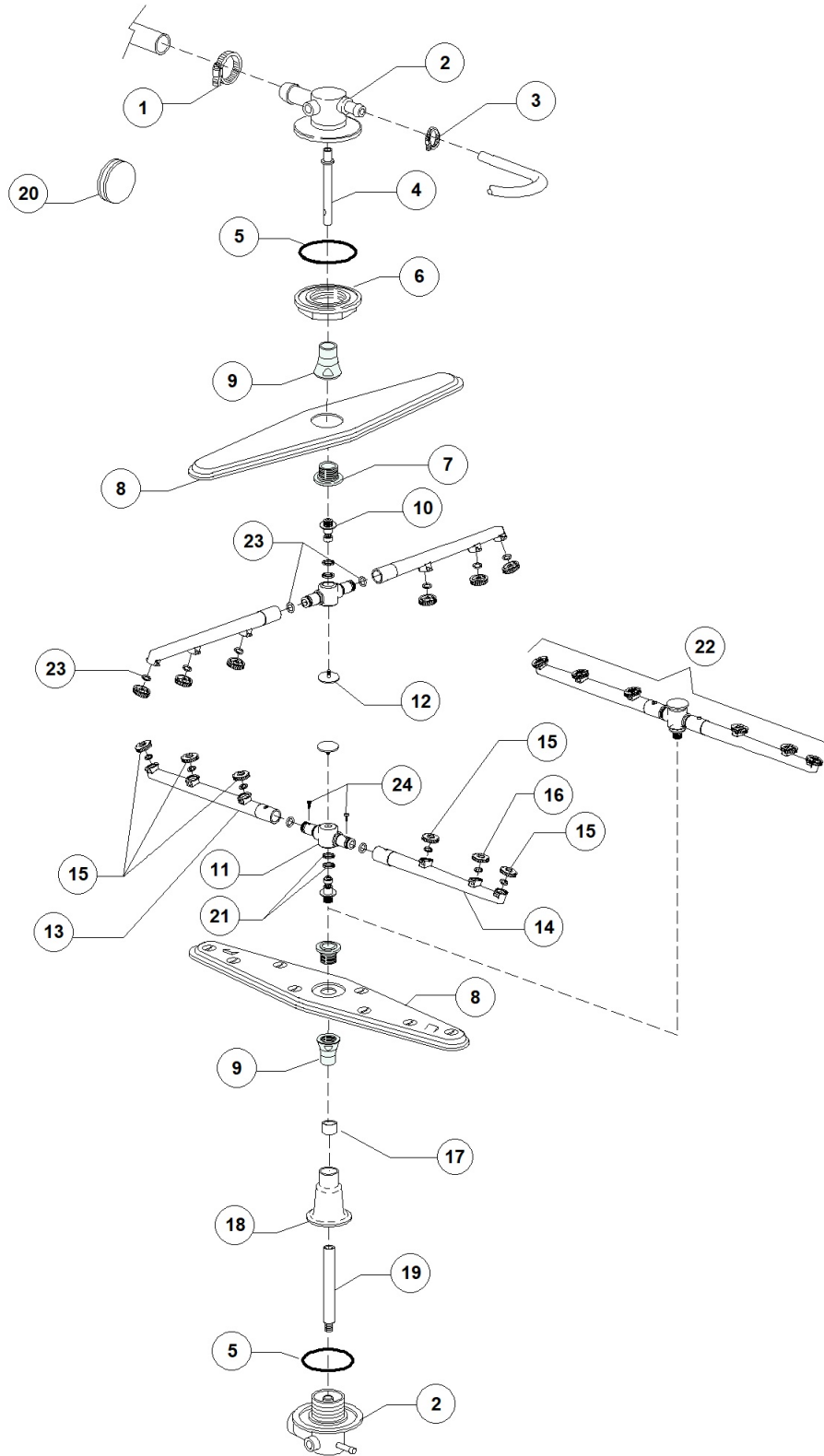
ELGF500 380-400/3N/50 Hz - DWT1000212 - Pressostato - DW135P



ELGF500 380-400/3N/50 Hz - DWT1000212 - Pressostato - DW135P

Pos.	Codice	Descrizione	Description
1	DW10706/A	"PRESSOSTATO "EL." 46-26"	PRESSURE SWITCH 46-26
2	DW135911/D	ASSIEME GABBIA D'ARIA GRIGIA L56	GREY AIR TRAP ASSEMBLY L56
3	DW13301	GUARNIZ. IN FASIT 202 D14x8x1,5	O-RING ROLMART D14X8X1,5
4	DW11702	DADO M8 INOX UNI5588 DIN934	S/S NUT M8 DIN934 (MIN. 20 PCS)
5	DW14509	TUBO PRESSOSTATO 5X9	5X9 PRESSOSTAT HOSE
6	DW10738	FASCETTA PLASTICA 98X2.5	PLASTIC CLAMP 98X2,5
7	DW3009363	SUPPORTO PRESSOSTATO	PRESSURE-SWITCH SUPPORT

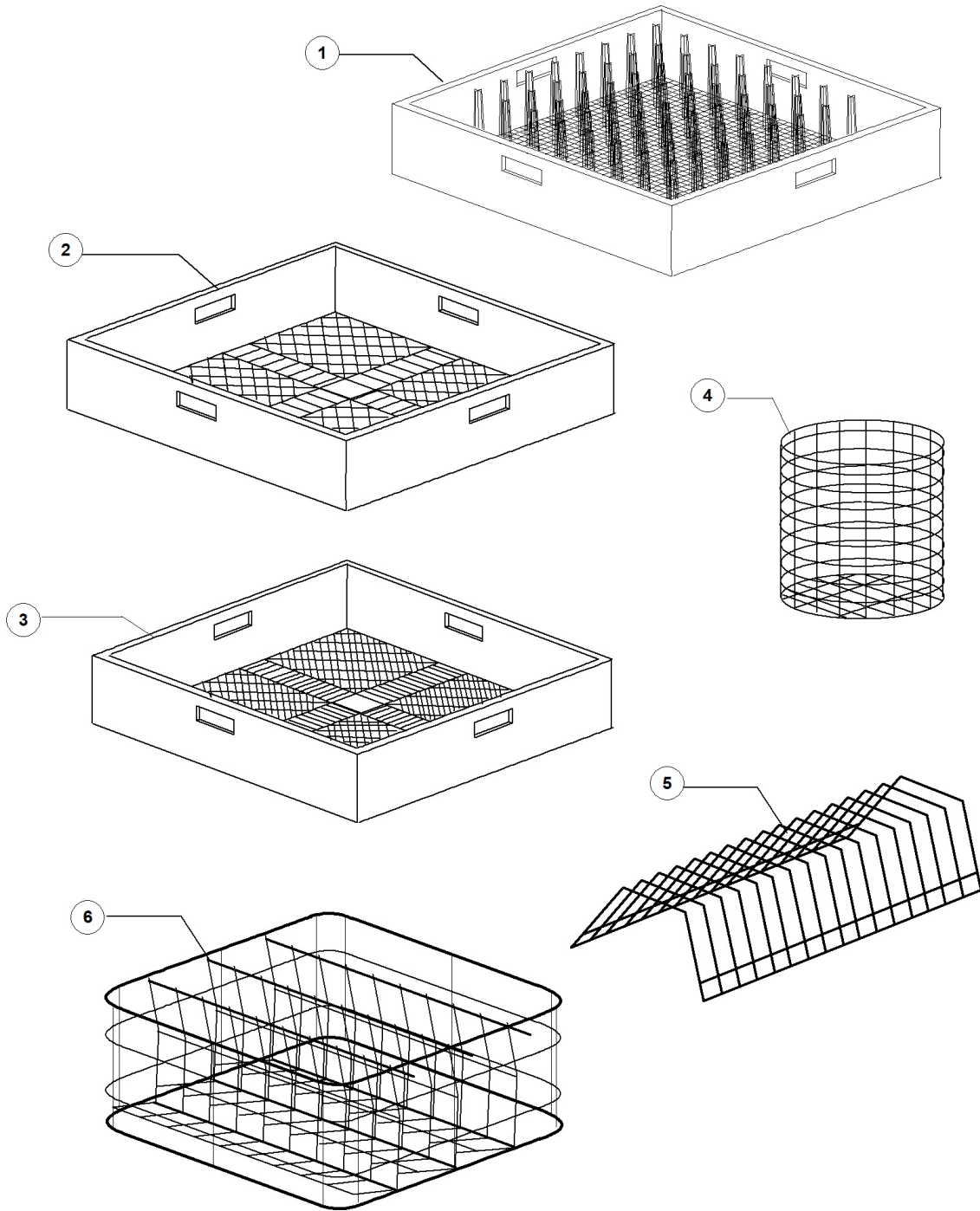
ELGF500 380-400/3N/50 Hz - DWT1000212 - Gruppo lavaggio-risciacquo - DW135P



ELGF500 380-400/3N/50 Hz - DWT1000212 - Gruppo lavaggio-risciacquo - DW135P

Pos.	Codice	Descrizione	Description
1	DW11806	FASCETTE AISI 430 25/40	CLAMP 25/40 AISI 430
2	DW500612	TORRETTA SUP./INF. GS GRIGIO	WASH ARMS'LOWER / UPPER SUPPORT GS
3	DW11807	FASCETTE AISI 430 12/22	CLAMP 12/22 AISI 430
4	DW500703	ASSE RISC.SUP.D16X40 GIR.INOX 05	RINSE UPPER AXE D.16X40 S/S ROTOR 05
5	DW13015	GUARNIZIONE 6225 OR 160 NBR	6225 O-RING 160 NBR
6	DW500623	GHIERA FISS.TORRETTA TIPO 28 GS GRI	FASTENING RING NUT FOR TURRET
8	DW500700	GIRANTE LAVAGGIO INOX 05	S/S WASH ROTOR
10	DW10651	ASSE RISCIAQUO/03	RINSE AXLE 03
11	DW75920/A	MOZZO PER GIRANTE RISCIAQUO 2009	HUB FOR RINSE ROTOR 2009
12	DW10652	VITE RISCIAQUO/03	RINSE ARM SCREW
13	DW75920/D	TUBO RISC. DX GRIGIO 2009	GREY RIGHT RINSE ARM 2009
14	DW75920/S	TUBO RISC. SX GRIGIO 2009	GREY LEFT RINSE ARM 2009
15	DW10371	TESTA UGEL. RISC. 95 APER. GRIG (MIN 10)	OPENED RINSE NOZZLE (BATCH 10PCS)
16	DW10372	TESTA UGEL.RISC.95 CHIU. GRIGIO (MIN 10)	CLOSED RINSE NOZZLE (BATCH 10PCS)
18	DW500706	MANICOTTO INF.L85mm GRIGIO	LOWER PIPE COUPLING L85
19	DW500705	ASSE RISC.INF.D16X98 GIR.INOX 05	LOWER RINSE AXLE D.16X98 S/S ROTOR 05
21	DW75920/B	ANELLI TENUTA MOZZO RISCIAQUO 2009	BAGUE D'ESPACEMENT
22	DW75920	GRUPPO RISC.SUP/INF 2009	UPPER/LOWER RINSE ASSEMBLY 2009
23	DW13002	GUARNIZIONE OR R6 NBR (10 PZ MINIMO)	O-RINGR R6 NBR (minimum 10 pieces)
24	DW11004	VITE TCB D.8 DENTATA 4X10 SPAX	4X10 TCB D.8 SPAX TOOTHED SCREW

ELGF500 380-400/3N/50 Hz - DWT1000212 - Cesti - DW135P



ELGF500 380-400/3N/50 Hz - DWT1000212 - Cesti - DW135P

Pos.	Codice	Descrizione	Description
1	DWC40	CESTO PIATTI PLASTICA 50X50	PLASTIC PLATES BASKET 500X500
2	DWC44	CESTO BICCHIERI MAGL.LARGA PLASTICA	500X500 LARGE MESH GLASS BASKET
3	DWC41	CESTO POSATE MAG.STRETTA PLASTICA	CUTLERY BASKET - TIGHT MESH (PLASTIC)
4	DW15060	INSERTO CUCCHIAINI GRANDI DIS.G.060	CUTLERY BASKET

