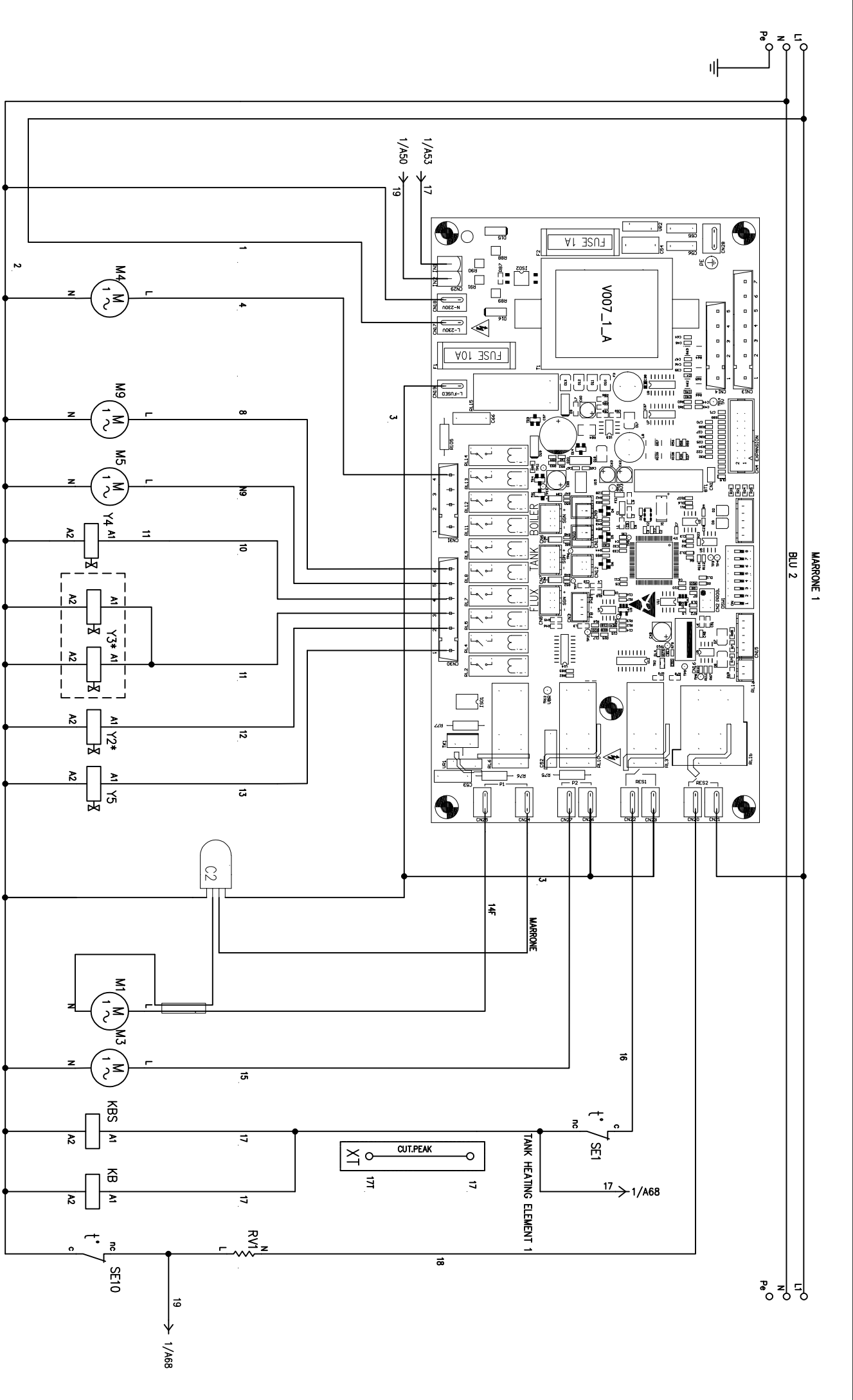
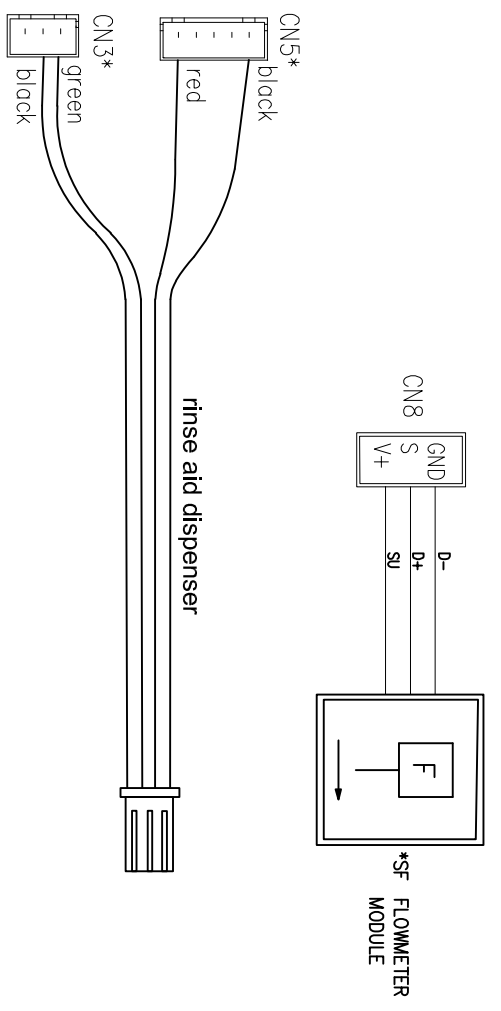
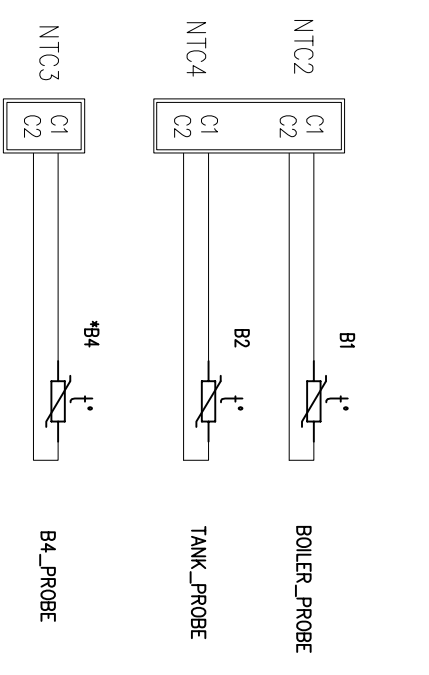
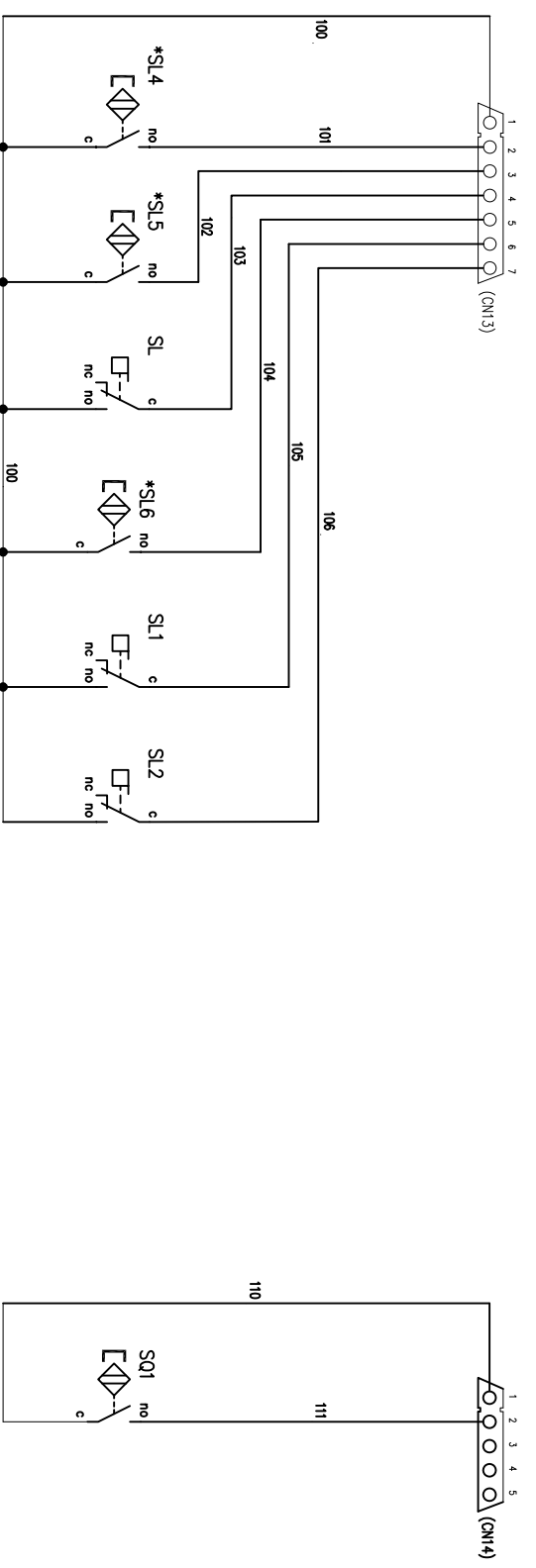


REV. 00	REV./DATE	IMPIANTO / INSTALLATION SCHEMA ELETTAVVASTOVIGILE	TITOLO / TITLE SCHEMA FUNZIONALE / ELECTRICAL DIAGRAM	N. DIS. / N. ARCH. DATA EMISSIONE / DATE 10/05/2023	Foglio 1 TOT. Fogli 2	Segue Folllows 2
220-230 V 1P 50/60HZ		413401P				

*OPTIONAL

SAFETY THERMOSTAT TANK 1

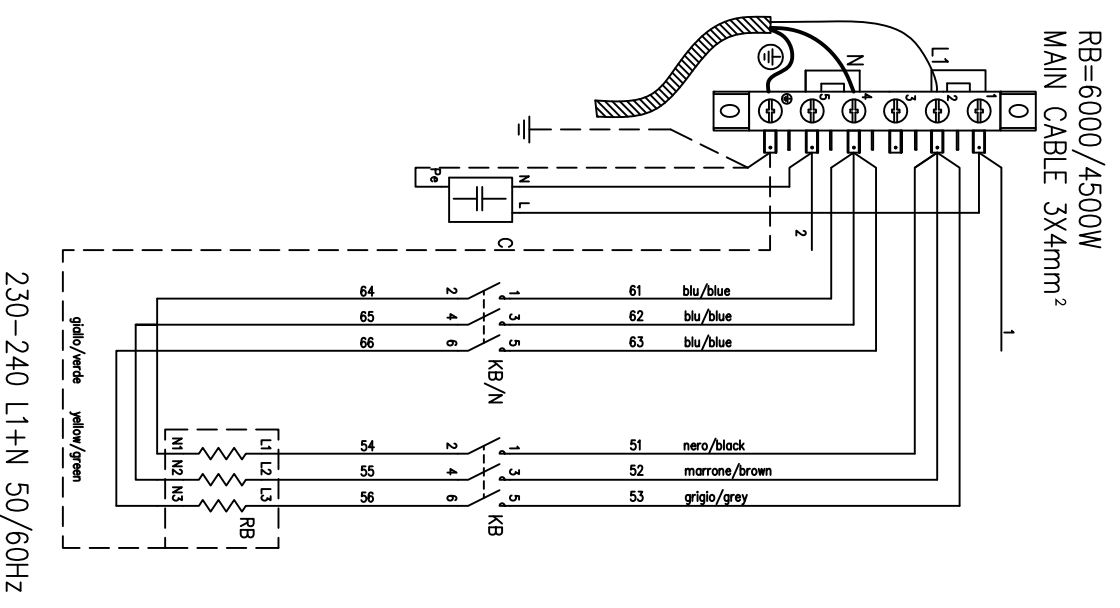
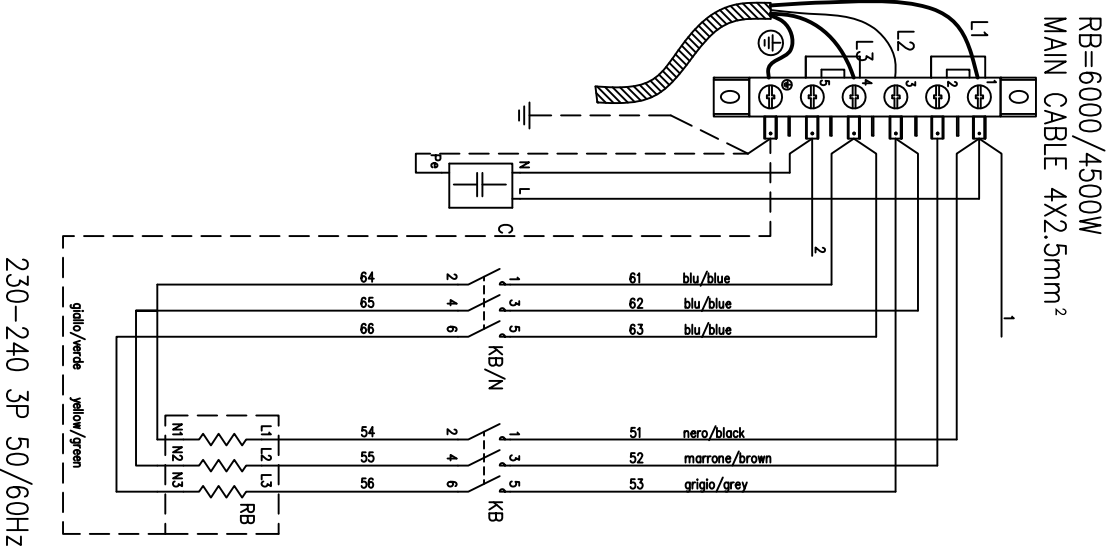
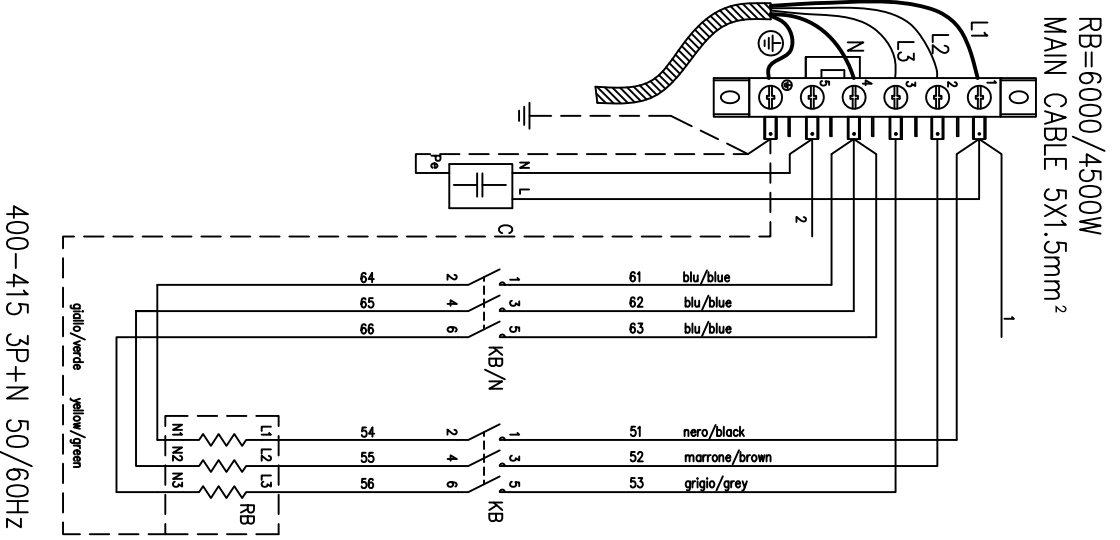




*OPTIONAL

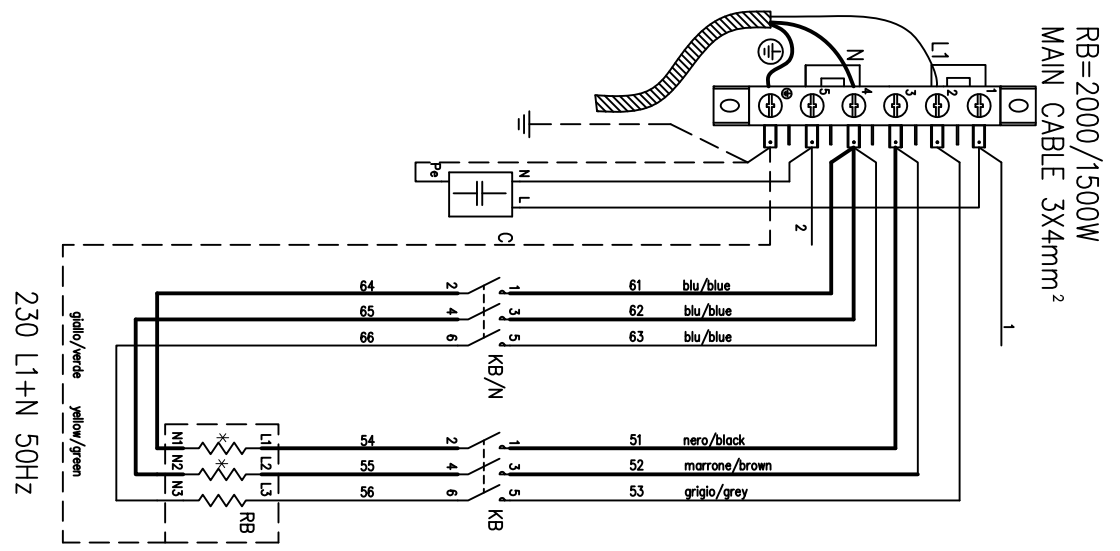
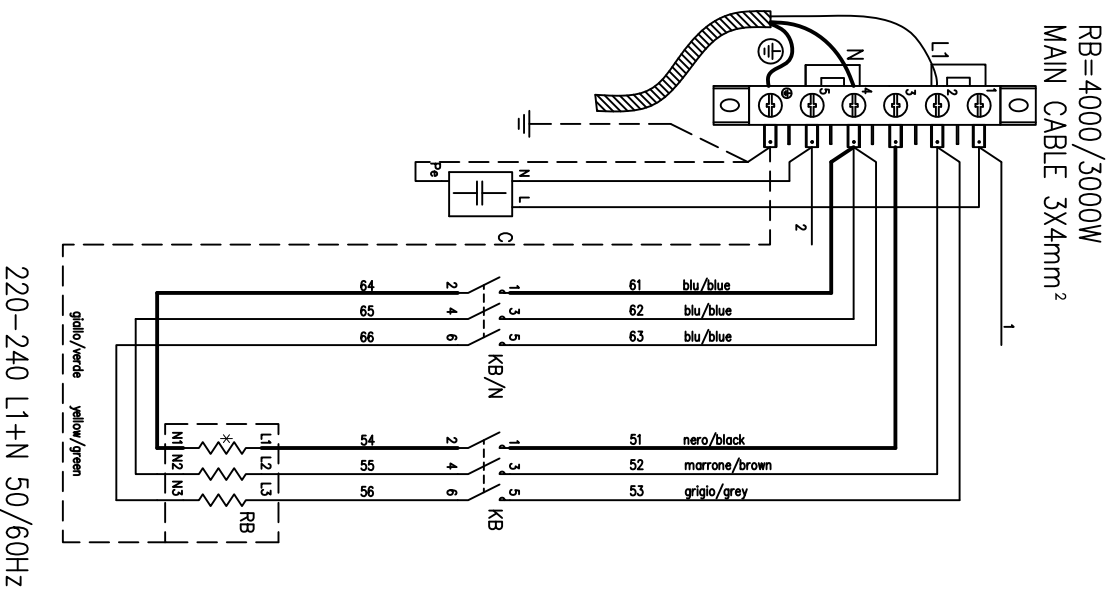
REV. 00	REV./DATE	IMPIANTO / INSTALLATION SCHEMA ELETTAVVOSTOVIGLIE	TITOLO / TITLE SCHEMA FUNZIONALE / ELECTRICAL DIAGRAM	N. DIS. / N. ARCH. 10/05/2023	Foglio 2 / Tot. Fogli 2	Seq. 2 / Tot. Seq. 2
		220-230 V 1P 50/60HZ	413401P			

00 01 02 03 04 05 06 07 08 09 10 11 12 13 14 15 16 17 18 19



* Element Disconnected

REV.	REV./DATE	IMPIANTO / INSTALLATION	TITOLO / TITLE	N. DIS.
03	30/05/18	SCHEMA ELETTLAVASTOIGILE	SCHEMA ELET.DI POTENZA / ELECTRIC POWER DIAGRAM	·
	aggiunto cavo		COD.DOC.	N. ARCH.
			410706	14/04/10
				DATA EMISSIONE / DATE
				FOLIO PAGE
				1
				SEQUE FOLLOWS
				2
				TOT. FOLLO
				2



* Element Disconnected

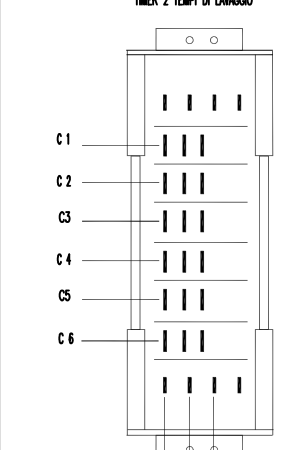
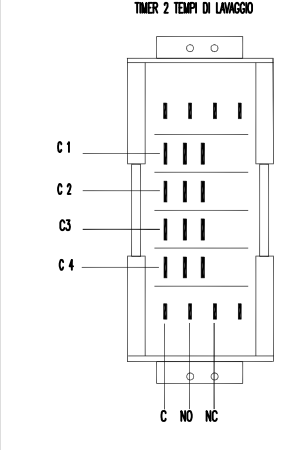
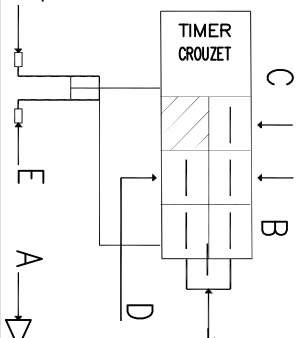
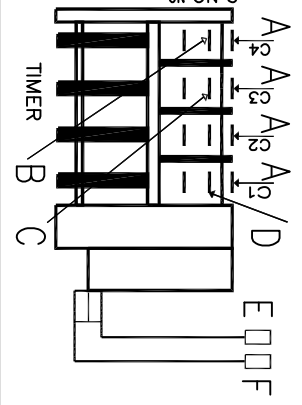
REV.	REV./DATE	MODIFICAZIONE	IMPIANTO / INSTALLATION	TITOLO / TITLE	N. DIS. / N. ARCH.	FOGLIO / PAGE
03	30/05/18	aggiunto cavo	SCHEMA ELETT. LAVASTOVIGLIE	SCHEMA ELETT. DI POTENZA / ELECTRIC POWER DIAGRAM	410706	2
					DATA EMISSIONE / DATE	FOGLIO / PAGE
					14/04/10	2
						FOGLIO / PAGE
						2

REV.	REV. DATE	REV.	REV. DATE	REV.	REV. DATE	REV.	REV. DATE	REV.	REV. DATE	REV.	REV. DATE	REV.	REV. DATE	REV.	REV. DATE	REV.	REV. DATE	REV.	REV. DATE	REV.	REV. DATE	REV.	REV. DATE	
06	28/07/20	aggiunte varie																						
IMPIANTO / INSTALLATION SCHEMA ELETTRAVANTAGGLE				TITOLO / TITLE LEGENDA SIGLE / LEGEND				COD.DOC.				40003												
								DATA EMISSIONE / DATE 06/10/2009				N. DIS. N. ARCH.				FOGGIO SERIE 1 FOLIOS 2								

SELA	ITALIANO	INGLESE	FRAZIESE	TEDESCO	SPANIOLLO
A1	VALVOLA	SHR/VALV	AFRIE/VALV	VALVE	TECLADO
A2	SOVOLA D'INFERENZA	MAN BOARD	CONTRE DISSANCE	HAUPTTAFEL	PLACA DE POTENCIA
B1	SONDA TERMOSTATO BOILER	STROBE BOILER THERMOSTAT	SONDE THERMOSTAT SURCHAUFFEUR	BOILER THERMOSTAT	SONDA THERMOSTATO CALIBRINI
B2	SONDA TERMOSTATO VASSOIA	STROBE TANK THERMOSTAT	SONDE THERMOSTAT CUIVE	TANK THERMOSTAT	SONDA THERMOSTATO CUBA
B3	SONDA CAMERA LAVABO	WASH CHAMBER PROBE	SONDE CHAMBRE DE LAVAGE	SONDE VAN SOKABINE	SONDA SALA LA LAVABO
B4	SONDA ACQUA INGRESSO	INLET WATER PROBE	SONDE DEAU ENTREE	ENWASSERAUSSERSONNE	ENTRADA SONDA DE AGUA
C1-2-3	FLUIDO ANTIURTO	CONDENSER	CONDENSATEUR	KONDENSATOR	FLUIDO ANTI PERUBACION
A	CONDENSATORE FANNA	FLUID CONDENSER	CONDENSATEUR FANNE	FANNEKONDENSATOR	CONDENSADOR BOLERA
D1-2-3-4	DRUDO	DOORS	DOORE	DOORS	DRUDO
E1	BLOCCO PORTA	DOOR LOCK	SERRAGE PORTE	TURBERRIGE	BLOCCO DE PORTA
E1-1	LED COLORE BLU	LED BLUE	LED COULEUR BLEU	LED BLAU	LED COLORE AZUL
E1-2	LED COLORE ROSSO	LED RED	LED COULEUR ROUGE	LED ROT	LED COLORE ROJO
E1-3	LED COLORE VERDE	LED GREEN	LED COULEUR VERTE	LED GRÜN	LED COLORE VERDE
B	PIASTRINA TERMICA POMPA 1	SAFETY THERMIC SENSOR PUMP1	SECURITE THERMIQUE POMPE1	SCHUTZSENSORSCHUTZ BEHÄLTNER 1	SECURIDAD TERMICA BOMBA 1
B1-2	PIASTRINA TERMICA POMPA 2	SAFETY THERMIC SENSOR PUMP2	SECURITE THERMIQUE POMPE2	SCHUTZSENSORSCHUTZ BEHÄLTNER 2	SECURIDAD TERMICA BOMBA 2
F1-2	REL E TERMICO POMPA 1	THERMIC RELAY PUMP 1	REL AS THERMIQUE POMPE 1	THERMRELAYS DES KOMBIDORS	REL E TERMICO BOMBA 1
F1-1	REL E TERMICO POMPA 2	THERMIC RELAY PUMP 2	REL AS THERMIQUE POMPE 2	THERMRELAYS DES KOMBIDORS	REL E TERMICO BOMBA 2
F2	REL E TERMICO MOTOR CESTO	THERMIC RELAY RINSING PUMP	REL AS THERMIQUE MOTEUR HANNE	THERMRELAYS DES KOMBIDORS	REL E TERMICO MOTOR CESTO
F3-4	REL E TERMICO MOTOR CESTO	THERMIC RELAY RINSING PUMP	REL AS THERMIQUE MOTEUR HANNE	THERMRELAYS DES KOMBIDORS	REL E TERMICO MOTOR CESTO
C	REL E TERMICO MOTOR CONDENSERA	THERMIC RELAY CONDENSER	REL AS THERMIQUE MOTEUR CONDENSE	SCHWELZSCHREIBUNG	REL E TERMICO MOTOR CALDA DE CONDENSACION
F1-2-3-4	F1-2-3-4	FUSE 1-2-3-4	FUSIBLES 1-2-3-4	SCHWELZSCHREIBUNG	FUSEIBILE 1-2-3-4
G1	ALIMENTATORE CONVERTITORE	POWER SUPPLY CONVERTER	ALIMENTATION CONVERTISSEUR ELECTRIQUE	VANLÖSER	ALIMENTACION CONVERTIDOR
H1-1	SPA RETE	MAIN SWITCH LIGHT	VOYANT RESEAU ELECTRIQUE	NETZWERKLEUCHE	INDICADORE DE RED
H1-10	SPA POMPA SCARICO	DRAIN PUMP LIGHT	VOYANT POMPE DE VANGAGE	KONTROLLLEUCHE LAUBERPUMPE	INDICADORE BOLBA DE DESAQUE
H2	SPA SCARICO	COYLE LIGHT	VOYANT COULE	KONTROLLLEUCHE MANIERPUMPE	INDICADORE DE COLO
H3	SPA RIGENERAZIONE	REGENERATION CYCLE LIGHT	VOYANT REGENERATION	BEHÄLTNERLEUCHE	INDICADORE RIGENERACION
H4	SPA TEMPERATURA	TEMPERA TURE LIGHT	VOYANT TEMPERATURE	TEMPERATURLEUCHE	INDICADORE TEMPERATURA
H5	SPA ALARME	ALARMWARNING LIGHT	VOYANT ALARME	ALARMAWEISER	INDICADORE ALARMA
H6	SPA VASCA	TANK LEVEL LIGHT	VOYANT NIVEAU CUIVE	TANKWAWSERWENNAUWAHNE	INDICADORE CUBA
E	SPA SALLE	SALL LIGHT	VOYANT SEL	KONTROLLLEUCHE SALZ	INDICADORE SALL
H8	SPA RESCALDAMENTO VASSOIA	TANK HEATING LIGHT	VOYANT CHAUFFAGE CUIVE	KONTROLLLEUCHE WÄRMEREFERUNG	INDICADORE CALORACION CUBA
H9	SPA RESCALDAMENTO BOILER	BOILER HEATING LIGHT	VOYANT CHAUFFAGE SURCHAUFFEUR	KONTROLLLEUCHE BOILERHEIZUNG	INDICADORE CALORACION CALIBRINI
VA	REL E GENERALE	MAIN RELAY	REL AS	HAUPTRELAYS	REL E GENERAL
VA 1-2-3-4	REL E AUSILIARIO	AUXILIARY RELAY	REL AS AUXILIAIRES	NUTZRELAYS	REL E AUSILIARIO
F	REL E POMPA ALIMENTAZIONE	RELAY BOOSTER PUMP	REL AS SUPPLEMENTAIRE	NACHSCHÜLLPUMPE REL AS	REL E BOMBA ALIMENTO DE PRESION
F1	REL E POMPA GENERALE	MAIN CONTACTOR	TELEOPERATOR GENERALE	HAUPTRELSCHULTER	REL E POMPA GENERAL
F2	REL E POMPA BOILER	BOILER CONTACTOR	TELEOPERATOR SURCHAUFFEUR	BOILERRELSCHULTER	REL E POMPA CALIBRINI
F3	REL E POMPA SCARICO	PUMP SAFETY CONTACTOR	TELEOPERATOR SURCHAUFFEUR	SCHUTZRELSCHULTER DER BOILERS	REL E POMPA SCARICO
F4	REL E POMPA LAVABO 1	PUMP CONTACTOR TANK 1	TELEOPERATOR PUMP CUIVE 1	FERNSCHALTWERK DER VASCHPUMPE 1	COMANDATOR BOLBA LAVABO 1
F5	REL E POMPA LAVABO 2	PUMP CONTACTOR TANK 2	TELEOPERATOR PUMP CUIVE 2	FERNSCHALTWERK DER VASCHPUMPE 2	COMANDATOR BOLBA LAVABO 2
F6	REL E POMPA LAVABO 3	PUMP CONTACTOR TANK 1	TELEOPERATOR PUMP CUIVE 1	FERNSCHALTWERK DER VASCHPUMPE 1	COMANDATOR BOLBA LAVABO 3
F7	REL E POMPA LAVABO 4	PUMP CONTACTOR TANK 2	TELEOPERATOR PUMP CUIVE 2	FERNSCHALTWERK DER VASCHPUMPE 2	COMANDATOR BOLBA LAVABO 4
G	REL E POMPA ALIMENTAZIONE	BOOSTER PUMP CONTACTOR	SAUGPUMPENRELSCHULTER	FERNSCHALTWERK DER VASCHPUMPE	COMANDATOR BOLBA ALIMENTO DE PRESION
G1	REL E POMPA POMPA SCARICO	DRAIN PUMP CONTACTOR	TELEOPERATOR POMPE DE VANGAGE	SCHUTZ ENTLERERLEUCHE	COMANDATOR BOLBA DE DESCAVACIA
G2	REL E POMPA MOTOR CESTO	RACK MOTOR CONTACTOR	TELEOPERATOR MOTEUR HANNE	FERNSCHALTWERK DES KOMBIDORS	COMANDATOR DE MOTOR CESTO
H	REL E POMPA VASSOIA	STEAM CONDENSER CONTACTOR	TELEOPERATOR ASPIRA TUREL MOTOR	FERNSCHALTWERK DES DAMPKONDENSATORS	COMANDATOR DE MOTOR EXTRACTOR
H1	REL E POMPA SCARICO	TANK CONTACTOR	TELEOPERATOR CUIVE	FERNSCHALTWERK DER TANK	COMANDATOR CUBA
H2	REL E POMPA GENERALE	SAFETY TANK THERMOSTAT	THERMOSTAT DE SECURITE CUIVE	SCHUTZRELSCHULTER DER TANK	TERMOSTATO DE SEGURIDAD TANK
L	REA TTORE	REACTOR	REA CTOR	REA KTOR	BOMBA DE REACCION
L1	POMPA LAVABO 1	PUMP TANK 1	POMPE CUIVE 1	VASCHPUMPE 1	BOMBA DE LAVABO 1
L2	POMPA LAVABO 2	PUMP TANK 2	POMPE CUIVE 2	VASCHPUMPE 2	BOMBA DE LAVABO 2
L3	POMPA LAVABO 3	PUMP TANK 1	POMPE CUIVE 1	VASCHPUMPE 1	BOMBA DE LAVABO 3
M1	DOSAZIONE SALTIZAZIONE ELETTRICO	ELECTRIC SALTIZING USERSER	DOSAGE ASSASSINANT ELECTRIQUE	EL-TRIKSCHLES SALTIZAZIONELEUCHE	DOSIFICACION DE SALTIZAZIONE ELETTRICO
M2	MOTOR VENTILAZIONE CONDENSERA	CONDENSER FAN MOTOR	MOTEUR VENTILATEUR CONDENSER	KONDENSATOR GEBÄUDE MOTOR	MOTOR VENTILACION CONDENSADOR
M3	POMPA LAVABO 2	PUMP TANK 2	POMPE CUIVE 2	VASCHPUMPE 2	BOMBA DE LAVABO 2
M4	POMPA LAVABO 4	PUMP TANK 4	POMPE CUIVE 4	VASCHPUMPE 4	BOMBA DE LAVABO 4
M5	POMPA ALIMENTO PRESIONE	BOOSTER PUMP	POMPE ALIMENTAZION PRESSSION	VASCHPUMPE	BOMBA ALIMENTO DE PRESION
M6	POMPA SCARICO	DRAIN PUMP	POMPE DE VANGAGE	VANLÖSERPUMPE	BOMBA DE DESAQUE
M7	DOSAZIONE ELETTRICO	ELECTRIC DEBERGANT PUMP	DOSAGE ELECTRIQUE DEBERGANT	DOSERGEANT	DOSIFICACION DE LARSON ELECTRICO
M8	MOTOR CESTO	RACK MOTOR	MOTEUR CESTO	KOMBIDORTOR	MOTOR CESTO
M9	MOTOR ASPRAZIONE	STEAM CONDENSER	MOTEUR ASPRATION	DAMPKONDENSATOR	MOTOR ASPIRADOR
M10	POMPA LIFT	PUMP LIFT	POMPE LIFT	LEFT PUMPE	BOMBA LIFT
M11	DOSAZIONE ELETTRICO	ELECTRIC CHARGE AND DISPENSER	DOSAGE DE RECHARGE ELECTRIQUE	EL-TRIKSCHLES KLARSHAEIMITE DÖSBERGANT	DOSIFICACION DE AGLABO ELETTRICO
M12	MOTOR TIMER	TIMER MOTOR	MOTEUR PROGRAMMA TIER	TIMERTATOR	MOTOR TIMER
M13	MOTOR TIMER VELOCITA	FAST TIMER MOTOR	MOTEUR PROGRAMMA TIER A GRANDE VITESSE	SCHNELLETIMERTATOR	MOTOR TIMER RAPIDO
M14	MOTOR TIMER ON/OFF	MAIN SWITCH	MOTEUR TIMER GENERAL	HAUPTRELSCHULTER	MOTOR TIMER GENERAL
M15	RESISTENZA BOILER	BOILER HEATING ELEMENT	RESISTANCE SURCHAUFFEUR	BOILERHEIZUNG	RESISTENCIA CALIBRINI
M16	RESISTENZA VASSOIA	TANK HEATING ELEMENT	RESISTANCE CUIVE	TANKHEIZUNG	RESISTENCIA CUBA
L1	PAL SANITE START COLO	CYCLE SWITCH	BOUDON DEBARREREUR	STARTTASTE	BOUDON DE COLO
L2	PAL SANITE SET TIMER	TIMER SETTING BUTTON	BOUDON SET TIMER	SETT TIMER DRUCKKNOPF	BOUDON SET TIMER
L3	PAL SANITE RESERVAZIONE	RESERVATION CYCLE SWITCH	BOUDON RESERVATION	RESERVATION TASTE	BOUDON DE RESERVACION

REV.	REV. DATE	REV.	REV. DATE	REV.	REV. DATE	REV.	REV. DATE	REV.	REV. DATE	REV.	REV. DATE	REV.	REV. DATE	REV.	REV. DATE	REV.	REV. DATE	REV.	REV. DATE	REV.	REV. DATE	REV.	REV. DATE
06	28/07/20	aggiunte varie																					
IMPIANTO / INSTALLATION SCHEMA ELETTRAVANTAGGLE				TITOLO / TITLE LEGENDA SIGLE / LEGEND				COD.DOC.				40003											
								DATA EMISSIONE / DATE 06/10/2009				N. DIS. N. ARCH.				FOGGIO SERIE 1 FOLIOS 2							

00	ITALIANO	ITALIANO	01	02	03	04	05	06	07	08	09	10	11	12	13	14	15	16	17	18	19
01	FRANCESE	FRANCESE	01	02	03	04	05	06	07	08	09	10	11	12	13	14	15	16	17	18	19
02	INGLESE	INGLESE	01	02	03	04	05	06	07	08	09	10	11	12	13	14	15	16	17	18	19
03	GERMANO	GERMANO	01	02	03	04	05	06	07	08	09	10	11	12	13	14	15	16	17	18	19
04	SPAGNOLO	SPAGNOLO	01	02	03	04	05	06	07	08	09	10	11	12	13	14	15	16	17	18	19
05	PORTOGALLO	PORTOGALLO	01	02	03	04	05	06	07	08	09	10	11	12	13	14	15	16	17	18	19
06	RUSSO	RUSSO	01	02	03	04	05	06	07	08	09	10	11	12	13	14	15	16	17	18	19
07	CINESE	CINESE	01	02	03	04	05	06	07	08	09	10	11	12	13	14	15	16	17	18	19
08	GIAPPANESE	GIAPPANESE	01	02	03	04	05	06	07	08	09	10	11	12	13	14	15	16	17	18	19
09	VIETNAMESE	VIETNAMESE	01	02	03	04	05	06	07	08	09	10	11	12	13	14	15	16	17	18	19
10	COREANO	COREANO	01	02	03	04	05	06	07	08	09	10	11	12	13	14	15	16	17	18	19
11	ARABO	ARABO	01	02	03	04	05	06	07	08	09	10	11	12	13	14	15	16	17	18	19
12	INDIANO	INDIANO	01	02	03	04	05	06	07	08	09	10	11	12	13	14	15	16	17	18	19
13	VIETNAMESE	VIETNAMESE	01	02	03	04	05	06	07	08	09	10	11	12	13	14	15	16	17	18	19
14	VIETNAMESE	VIETNAMESE	01	02	03	04	05	06	07	08	09	10	11	12	13	14	15	16	17	18	19
15	VIETNAMESE	VIETNAMESE	01	02	03	04	05	06	07	08	09	10	11	12	13	14	15	16	17	18	19
16	VIETNAMESE	VIETNAMESE	01	02	03	04	05	06	07	08	09	10	11	12	13	14	15	16	17	18	19
17	VIETNAMESE	VIETNAMESE	01	02	03	04	05	06	07	08	09	10	11	12	13	14	15	16	17	18	19
18	VIETNAMESE	VIETNAMESE	01	02	03	04	05	06	07	08	09	10	11	12	13	14	15	16	17	18	19
19	VIETNAMESE	VIETNAMESE	01	02	03	04	05	06	07	08	09	10	11	12	13	14	15	16	17	18	19



REV.	REV./DATE	aggiunte varie	28/07/20
06			
IMPIANTO / INSTALLATION		SCHEMA ELET.LAVASTOVIGLIE	
TITOLO / TITLE		LEGENDA SIGLE / LEGEND	
COD.DOC.		40003	
N. DIS.		06/10/2009	
N. ARGH.			
DATA EMISSIONE / DATE			
FOGLIO		FOGLI	
PAGE		TOTAL PAGE	
2		2	
SEQUE		FOLLOWS	