

cod.DW136P

data:17/10/2024

**Catalogo ricambi
Spare parts catalog
Catalogue de pièces détachées
Ersatzteilkatalog
Catálogo de repuestos
Catálogo de peças de reposição
Каталог запасных частей**

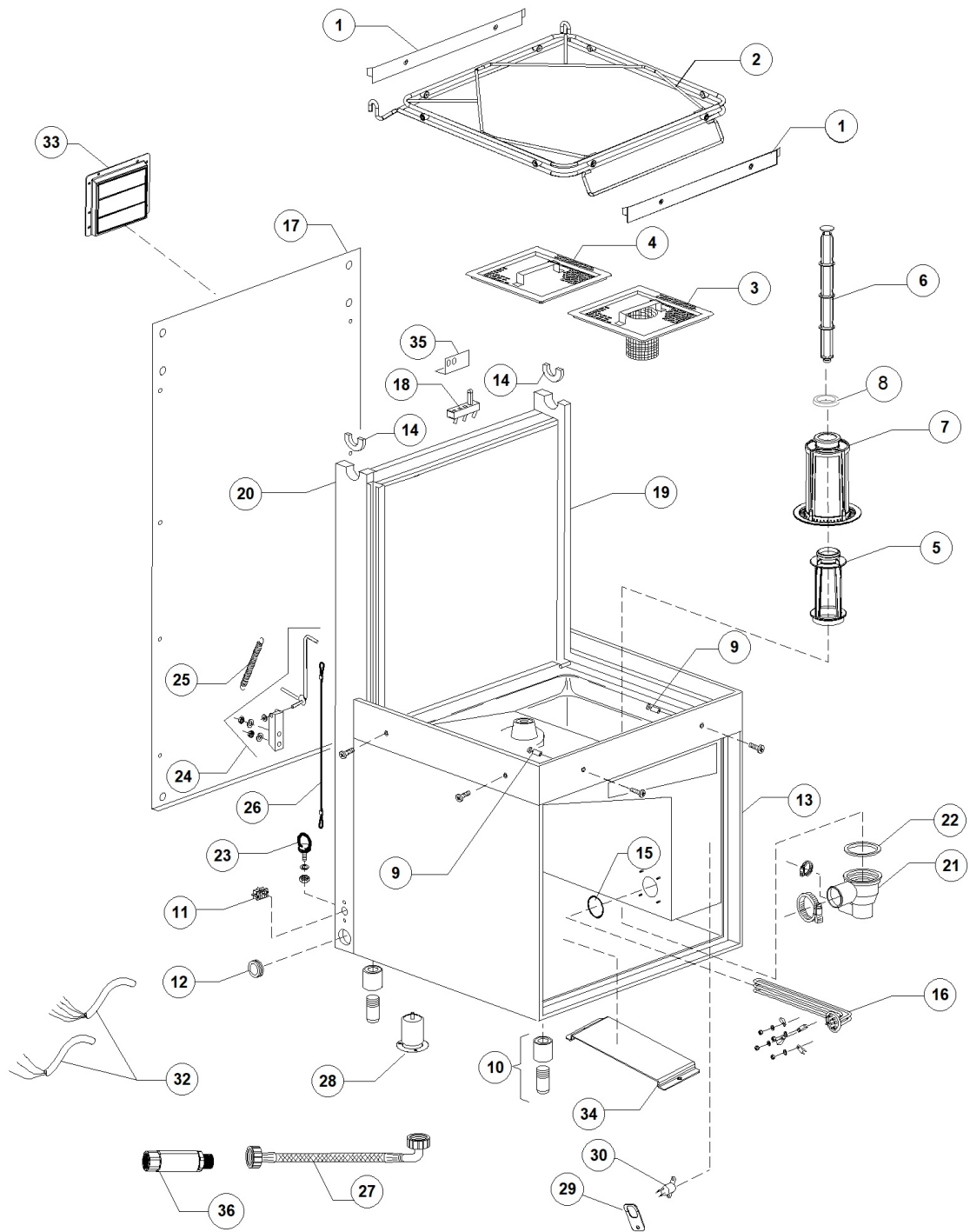
ELGC500 HR 380-400/3N/50 Hz



S/N:DWT1000306



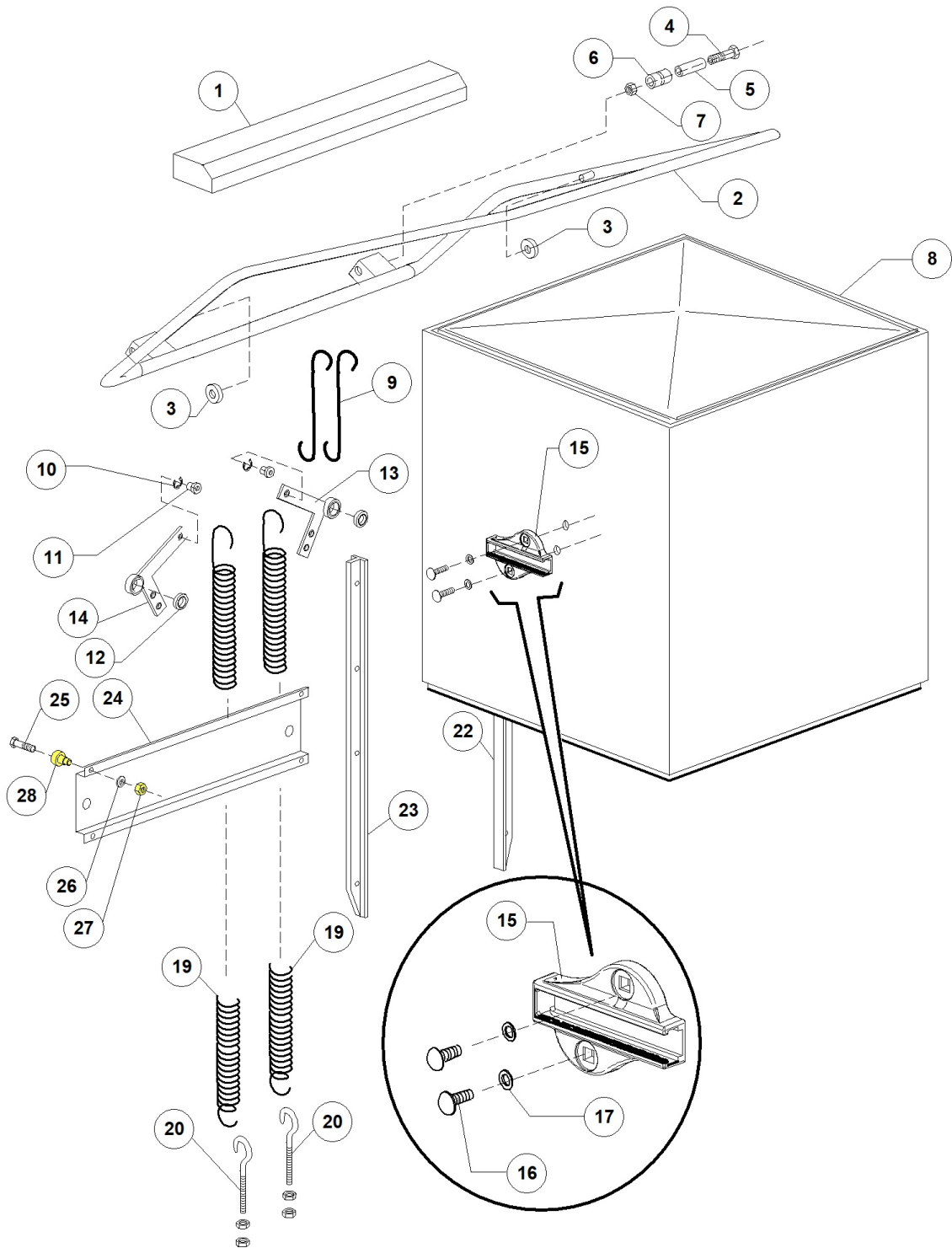
ELGC500 HR 380-400/3N/50 Hz - DWT1000306 - Détails groupe structure - DW136P



ELGC500 HR 380-400/3N/50 Hz - DWT1000306 - Détails groupe structure - DW136P

Pos.	Code	Descrizione	Description
1	DW10600923	SPONDINA CESTO 1200	GUIDE PANIER
2	DW11600001	SUPPORTO CESTO AISI 304 GASTRO 12S	SUPPORT POUR PANIER 12S
3	DW11600906	FILTRO VASCA ANT. G12/03 CESTELLO	FILTRE ANTERIEUR CUVE
4	DW11600907	FILTRO VASCA POS. G12/03 & 11/03	FILTRE ARRIERE CUVE
5	DW11700033	GHIERA INNESTO FILTRO HT12-HT14	SUPPORT FILTRE AVEC ECROU
6	DW11600102	TROPPO PIENO G12/03	TROP-PLEIN
7	DW11600974	FILTRO HT ELECTRON STD/PLUS	FILTRE
8	DW13021	GUARNIZIONE DEM 40 PER TROPPOPP. GS	JOINT DEM 40 (MIN. 2 PZ)
9	DW11600018	PERNO SUPPORTO PORTACESTO	PIVOT SUPPORT PANIER
10	DW15116	"PIEDINO 2" M10 REG. 132-210"	"PIED REGLABLE M10 132-210 2"
11	DW15065/A	FISSACAVO PER VITI AUTOF (NR.2x11007)	SERRE-CABLE AVEC VIS (2X11007)
13	DW11600300	ASSIEME CARROZZERIA HT12 NORMALE	STRUCTURE 12S
14	DW11600055	BOCCOLA GUIDA MANIG.DX-SX G12	BAGUE DE GUIDAGE POIGNEE DR./G.
15	DW13005	GUARNIZIONE OR 151 NBR	JOINT OR 151 NBR (MIN. 5 PZ)
16	DW15047/A	RESIST.2700/2940W 230/240V 3	RESISTANCE 2700/2940W 230/240V 3
17	DW11600630	SCHIENALE POSTERIORE G-12S (1X 3071286)	PANNEAU ARRIERE 12S
18	DW70305	FINECORSO A PULSANTE MF17	FIN DE COURSE A BOUTON
19	DW11600620	MONTANTE DX G 12S	MONTANT DROIT
20	DW11600621	MONTANTE SX G 12S	MONTANT GAUCHE
21	DW500606	POZZETTO CON SCARICO LATERALE DX	ENTONNOIR D'EVACUATION DROIT
22	DW80208	GUARNIZIONE RAMPA LP2 DIAM.95X75X3	JOINT PLAT D.95X75X3 (MIN. 2 PCS)
23	DW11600058	GANCIO GOLFARE MASCHIO M8 ZINC	CROCHET MALE ZINGUE M8
24	DW11600059	ASSIEME SICUREZZA CAPOTTE	ENSEMBLE SECURITE CAPOTS
25	DW10700	MOLLA PER PORTA DIS.LS034 DERBY	RESSORT DE TRACTION
26	DW11600057/A	CORDA PER SISTEMA SICUREZZA G12/03	CORDE DE SYSTEME DE SECURITE 12/03
27	DW10726	CANNA CARICO PICC. WRAS m1,5x3/4 EN61770	TUYAU DE CHARGEMENT WRAS 1,5MT-3/4
29	DW15552/A	STAFFETTA PER TERMOSTATO VASCA KLIXON	SUPPORT POUR THERMOSTAT
30	DW15552/B	TERMOST. SICUR.VASCA KLIXON SENZA STAFFA	THERMOSTAT DE SECURITE
32	DW80200	CAVO ALIMENTAZIONE 5X4X3400	CABLE D'ALIMENTATION 5X4X3400
33	DW3071286	CARTER PER IPX4 /IPX5 ESTERNO	CARTER EXTERIEUR IPX4/IPX5
34	DW11600111	CARTER PER HT IPX4	PROTECTION BASE IPX4
35	DW11600919	SQ.SUPPORTO MICRO G 12S	SUPPORT POUR MICRORUPTEUR

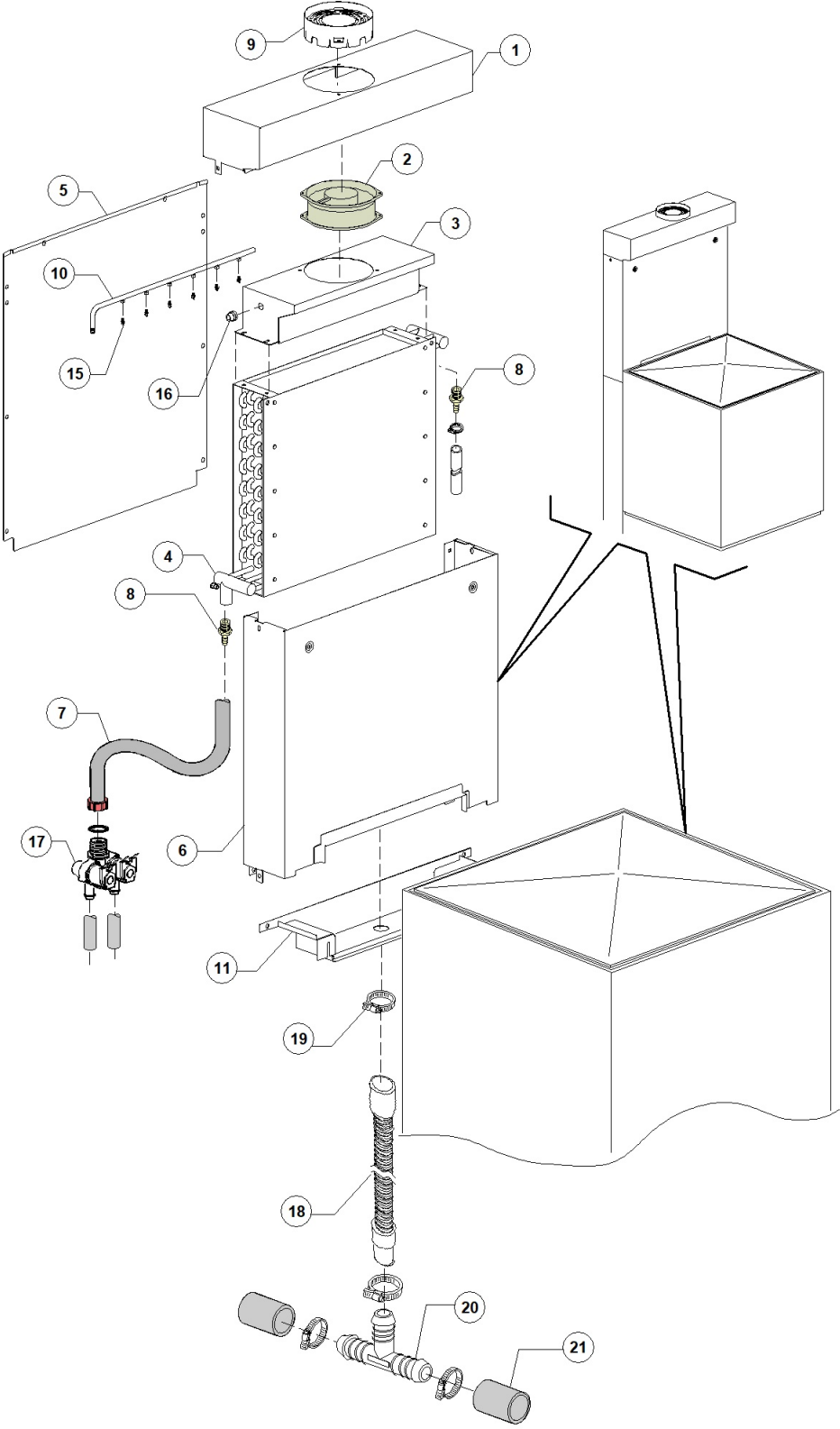
ELGC500 HR 380-400/3N/50 Hz - DWT1000306 - Capot - DW136P



ELGC500 HR 380-400/3N/50 Hz - DWT1000306 - Capot - DW136P

Pos.	Code	Descrizione	Description
1	DW11600913	SPOILER COMPLETO G 12S	SPOILER
2	DW11600910	MANIGLIONE CAPPOTTA G12 COMPLETO	POIGNEE POUR CAPOT 12S
3	DW89919	RUOTA PER CESTO LP3/LP4	ROUE POUR PANIER P3S/P4S8
4	DW111163	VITE INOX M8X50 TE DIN933	VIS M8X50 TE INOX
5	DW11600015	DISTANZIALE PER RULLI CAPPOTTA G12	ENTRETOISE POUR ROULEAUX CAPOT
6	DW11600014	RULLO PER TIRANTE CAPPOTTA G12	ROULEAU POUR TIRANT CAPOT
7	DW111718	DADO M8 AUTOBLOCCANTE INOX DIN 982	ECROU M8 AUTOFREINE INOX DIN982
8	DW11600962	ASSIEME CAPPOTTA ISOLATA HR/09	CAPOT ISOLE HR/09
9	DW11600013	TIRANTE UNIONE MANIGLIONE-LEVE	TRINGLE D'ECARTEMENT POIGNEE-LEVIERS
10	DW111823	SEEGER DIAM.10 INOX DIN 471 UNI7435	BAGUE DE SERRAGE INOX D.10
11	DW11600038	BOCCOLA PER MOLLA	BOCCOLA PER MOLLA
12	DW10800010	CUSCINETTO 6002 2RS PER LEVE SOLL.	COUSSINET LEVIERS
13	DW11600026	LEVA PER CAPPOTTA DX G 12S VERNIC.	LEVIER DROIT
14	DW11600027	LEVA PER CAPPOTTA SX G 12S VERNIC.	LEVIER GAUCHE
15	DW11600036	CAMMA MOVIM. CAPPOTTA G 12 GRIGIA	CONTRE-SUPPORT COULISSANT POIGNEE
16	DW111222	VITE TESTA BOMB C.E. FLANGIATA M8L25INOX	VIS M8X25 INOX
17	DW111223	RONDELLA M8 DENTELLATA INOX DIN6798	RONDELLE M8 DENTEE INOX
19	DW70302	MOLLA POSTERIORE S12	RESSORT ARRIERE
20	DW10800210	#VITE TIRANTE CON GANCIO M10X60	CROCHET A VIS M10X60
20	DW10800211	VITE TIRANTE CON GANCIO M8X52	CROCHET A VIS M10X60
22	DW11600028	PATTINO SCORRIMENTO CAPPOT.DX G 12S	GUIDE COULISSANT DROITE PORTE CAPOT
23	DW11600029	PATTINO SCORRIMENTO CAPPOT.SX G 12S	GUIDE COULISSANT GAUCHE PORTE CAPOT
24	DW11600624	OMEGA SUPPORTO LEVE CAPPOTTA	SUPPORT LEVIERS CAPOT
25	DW111134	VITE INOX M10X35 TE UNI5739 DIN933	VIS M10X35 INOX TE UNI5739 DIN933
26	DW111192	RONDELLA GROWER M10 INOX DIN 127B	RONDELLE GROWER M10 INOX DIN 127B
27	DW111719	DADO M10 INOX DIN 934	ECROU M10 INOX DIN934
28	DW10800115	PERNO ASTA SOLLEVAMENTO GUIDACUSCIN	PIVOT POUR BARRE RELEVAGE

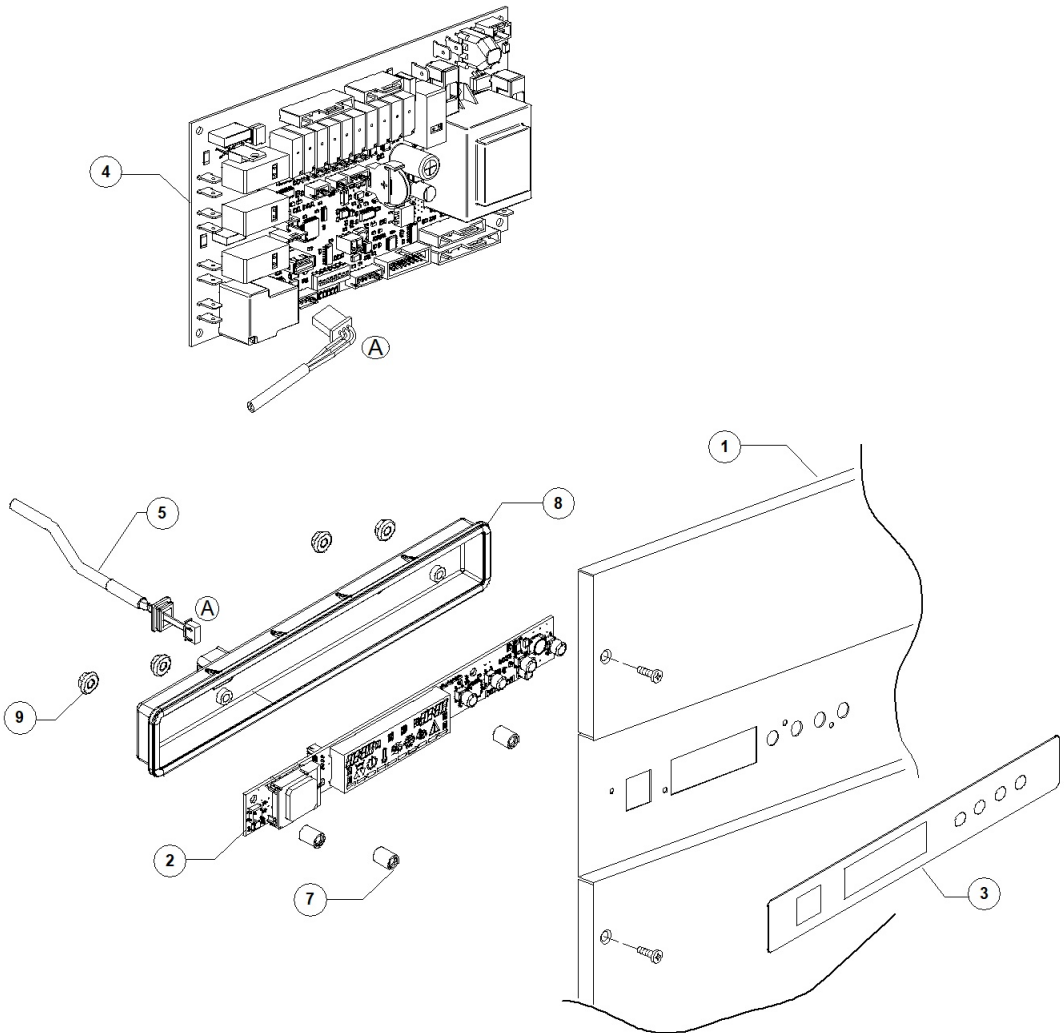
ELGC500 HR 380-400/3N/50 Hz - DWT1000306 - Recupérateur de buées - DW136P



ELGC500 HR 380-400/3N/50 Hz - DWT1000306 - Recupérat ur de bu es - DW136P

Pos.	Code	Descrizione	Description
1	DW11600711	SPOILER SUPERIORE HR/09	SPOILER
2	DW11600715	MOTOVENTIL. 230 V/50-60 HZ TRAINO	MOTOVENTILATEUR 230V 50/60HZ
3	DW11600709	SUPPORTO VENTILATORE HR/09	SUPPORT VENTILATEUR HR/09
4	DW11600708	BATTERIA RECUPERATORE CAPPOTTA HR/09	BATTERIE RECUPERATEUR CAPOT HR/09
5	DW11600713	SCHIENALE SUPERIORE POST. HR/09	PANNEAU ARRIERE SUPERIEUR HR/09
6	DW11600701	ASS. CARTER POST. SUP. BATTERIA HR/09	ENS.CARTER POSTERIEUR SUPERIEUR BATTERIE
7	DW10780	TUBO COLLEG. EL.VAL. RAC. 3/4 DRITTO 1mt	TUYAU FORME D'ASSEMBLAGE 3/4 DROIT L1MT
8	DW12039	PORTAGOMMA M 1/2 diam.10 PG260	RACCORD CANNELE 10 M1/2 PG260
9	DW11600717	ASS. CAMINO SUPERIORE TRAINO	ENSEMBLE CHEMINEE SUPERIEURE
10	DW11600716	TUBO AUTOPULIZIA BATTERIA HR/09	TUYAU AUTONETTOYAGE BATTERIE HR/09
11	DW11600704	VASCHETTA CAPPOTTA ISOLATA HR/09	PETIT CUVE POUR CAPOT ISOLE HR/09
15	DW560018	UGELLO INOX RISCIAQUO M5	GICLEUR DE RINCAGE INOX M5
16	DW13304	GUARNIZIONE PASSATUBO 70SH	BAGUE EN CAOUTCHOU 70SH
17	DW15214	ELETTROVALVOLA 3/4 1XNA1XNO 220-40/50-60	ELECTROVANNE 1XNA1XNO 220-240V/50-60HZ
18	DW10727	CANNA SCARICO mt.1.5 D.24 PICCOLA	TUYAU DE DECHARGE 1,5MT D.24
19	DW11806	FASCETTE AISI 430 25/40	COLLIER AISI 430 25/40 (MIN. 2 PCS)
20	DW540098	DERIV. 3VIE T D25 PLASTICA	RACCORDEMENT EN Y PLASTIQUE D.25
21	DW18044	TUBO DIAM.28 EPDM LAV.SUP. STAR	TUYAU FORME EPDM D.28

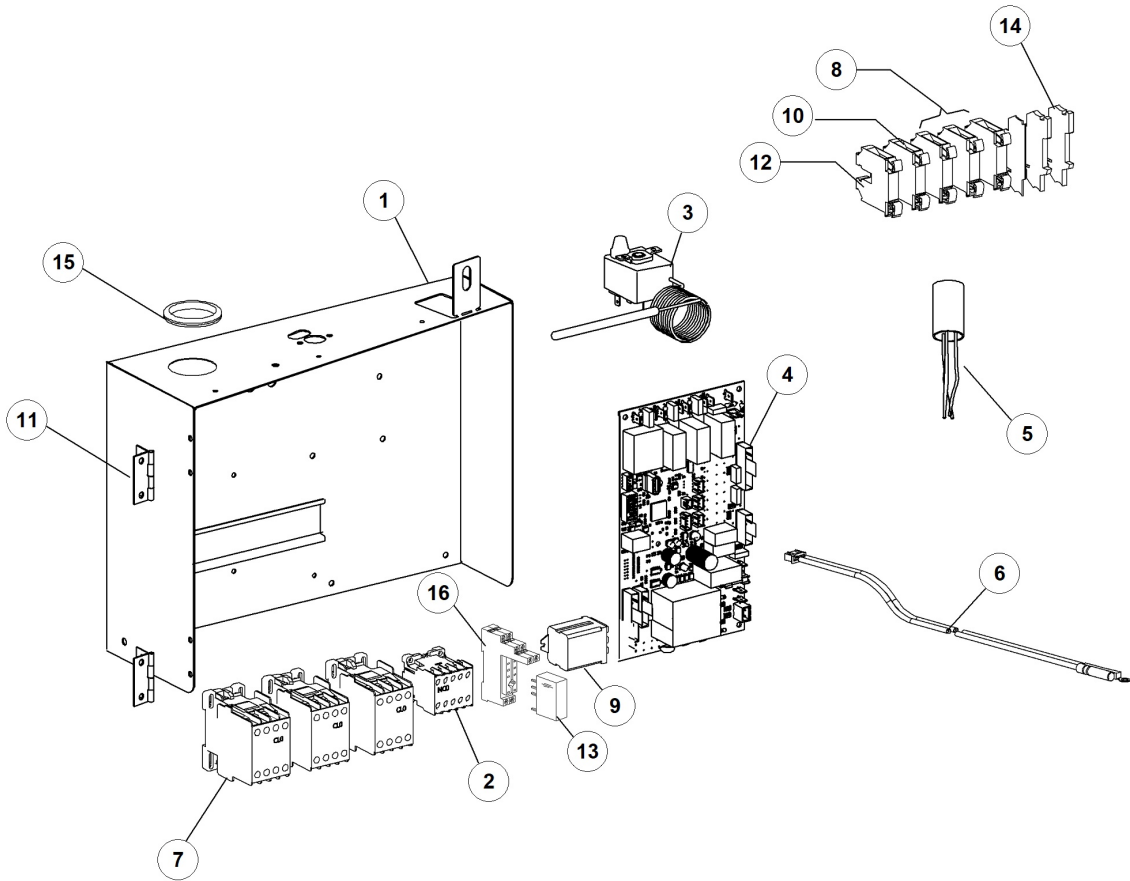
ELGC500 HR 380-400/3N/50 Hz - DWT1000306 - Panneau commande - DW136P



ELGC500 HR 380-400/3N/50 Hz - DWT1000306 - Panneau commande - DW136P

Pos.	Code	Descrizione	Description
1	DW11600311/J	SOTTOPORTA HT ELECT PLUS/2023 ENODIS	
2	DW580901	TASTIERA CON DISPLAY ELEC PLUS 2023 (M)	CLAVIER AVEC AFFICHAGE ELEC PLUS 2023 (M)
3	DW580903	MOSTRINA ELECTRON PLUS DIHR/23	BANDEAU SERIGRAPHIE PLUS DIHR/23
4	DW11600980	SCHEDA MADRE HT ELECTRON PLUS/2023 (BL)	CARTE MÃ^RE HT ELECTRON PLUS/2023 (BL)
5	DW580404	CAVETTO L2,5M DISPLAY ELECTRON II	CABLE POUR AFFICHEUR L2500 ELECTRON II
7	DW50561	DIST. SCHEDE ELETTR. 2009 D.8X10	ESPACEUR CARTE D.8X10
8	DW580902	SCATOLA PROT. DISPLAY ELEC PLUS (580901)	BOITIER DE PROTECTION CARTE MERE (580901)
9	DW11725	DADO FLA.ZIGR.M4 INOX A/2 DIN6923	ECROU M4 BRIDE INOX A/2 DIN 6923

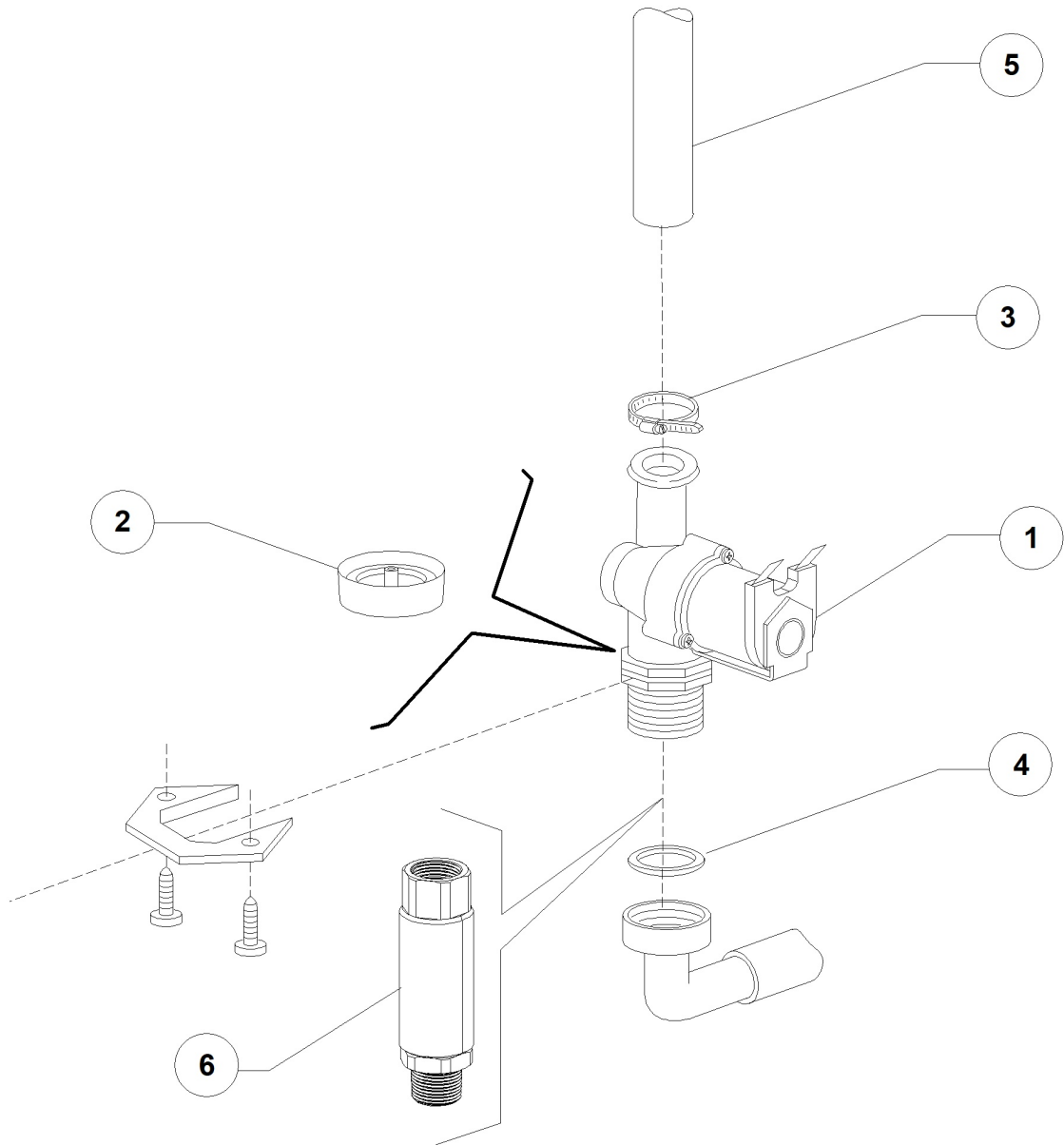
ELGC500 HR 380-400/3N/50 Hz - DWT1000306 - Composants électriques de contrôle - DW136P



ELGC500 HR 380-400/3N/50 Hz - DWT1000306 - Composants électriques de contrôle - DW136P

Pos.	Code	Descrizione	Description
1	DW11700201	PANNELLO PORTACOMP. HT OPT/ELC II (N)	PANNEAU PORTE-COMPOSANTS
2	DW15086	TELERUTTORE 230V 50/60Hz 4C AC3(6A)	TELERUPTEUR 230V 50/60Hz 4C AC3(6A)
3	DW2000430	TERMOSTATO DI SICUR. 110 1500PVC	THERMOSTAT DE SECURITE
4	DW580400	SCHEDA MADRE 2021 NO FIRMWARE (M)	CARTE MERE 2021 (NO SOFTWARE)
5	DW15149	FILTRO ANTIDIS.F3 (CX0.47MF)	FILTRE ANTIPARASITES F3 0,33MF
6	DW91172	SONDA 2NSNE1,55/6E15NCE C9CONJST007 N/G	SONDE THERMOSTAT
7	DW10300067	TELERRUTT. 25A/12A 3NA 1NC 230V 50-60HZ	TELERUPTEUR 25A/12A 3NA 1NC 230V 50-60HZ
8	DW3006082	MORSETTO 16mmqSL-16	BORNE 16mm2 SL-16
10	DW3006155	MORSETTO NEUTRO 16mmq BLU	BORNE NEUTRE BLEU 16mm2
11	DW15170	CERNIERA PANNELLO COMP. 1/2 LARGA	CHARNIERE
12	DW3006173	MORSETTO 16mmqSL-16 GIALLO-VERDE	BORNE 16mm2 JAUNE/VERT

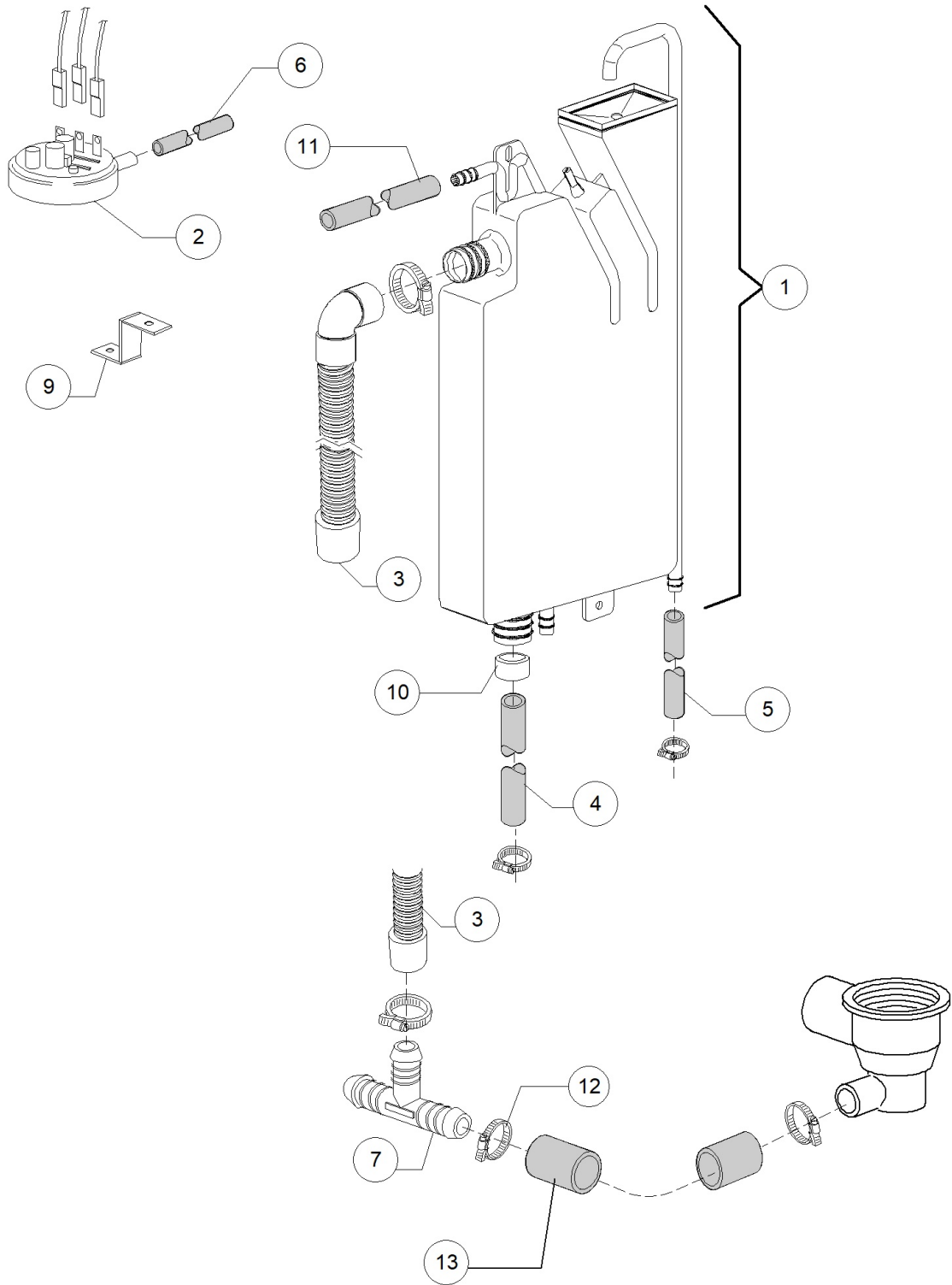
ELGC500 HR 380-400/3N/50 Hz - DWT1000306 - Groupe soupapes électriques - DW136P



ELGC500 HR 380-400/3N/50 Hz - DWT1000306 - Groupe soupapes électriques - DW136P

Pos.	Code	Descrizione	Description
1	DW10703	ELETTROV. SING. H2O 230V DIS.LS036	ELECTROVANNE SIMPLE H2O 230V
3	DW11807	FASCETTE AISI 430 12/22	COLLIER AISI 430 12/22 (MIN. 3 PCS)
4	DW13307	GUARNIZ. 3/4 CARICO ACQUA POTABILE	GUARNIZ. 3/4 CARICO H2O DIS.LS061
5	DW14506	TUBO GOMMA DIAM 9,5X16 EPDM	TUYAU EN CAOUTCHOUC EPDM 10X17
5	DW2907351	TUBO GOMMA EPDM 11,5X19	TUYAU EN CAOUTCHOUC 11,5X19
5	DW2907352	TUBO GOMMA PVC WRAS BT	TUYAU EN CAOUTCHOUC PVC WRAS

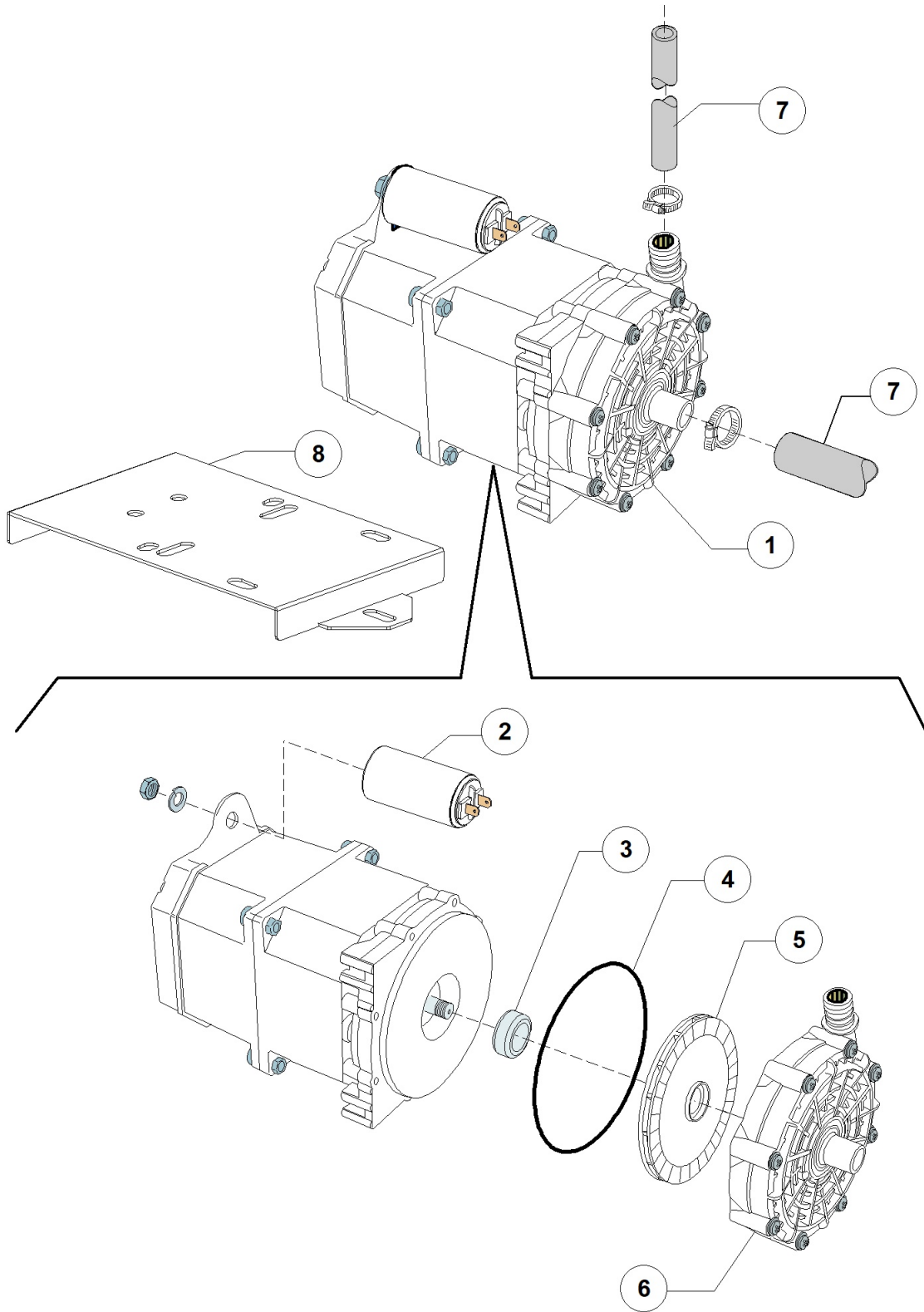
ELGC500 HR 380-400/3N/50 Hz - DWT1000306 - Break Tank - DW136P



ELGC500 HR 380-400/3N/50 Hz - DWT1000306 - Break Tank - DW136P

Pos.	Code	Descrizione	Description
1	DW15720	ASSIEME BREAK TANK 3.5	ENSEMBLE BREAK TANK 3.5LT
2	DW10706/A	"PRESSOSTATO "EL." 46-26"	PRESSOSTAT 46-26
3	DW25031	CANNA SCARICO 1,5 MT 24-28 PIPA	TUYAU DE DECHARGE 1,5MT 24-28
4	DW11600105	MAN.BT-BOILER ATM.RADIO 36X28X500	MANCHON 36X28X500
5	DW2907352	TUBO GOMMA PVC WRAS BT	TUYAU EN CAOUTCHOUC PVC WRAS
6	DW14508	TUBO EPDM 4.5X9 PER PRESSOSTATO	TUYAU EPDM 4,5X9 (MIN. 2 MT)
7	DW540098	DERIV. 3VIE T D25 PLASTICA	RACCORDEMENT EN Y PLASTIQUE D.25
10	DW12533	RINFORZO COLLARE USCITA BREAK TANK	RENFORCEMENT COLLIER DE SORTIE BT
11	DW2907351	TUBO GOMMA EPDM 11,5X19	TUYAU EN CAOUTCHOUC 11,5X19
12	DW11806	FASCETTE AISI 430 25/40	COLLIER AISI 430 25/40 (MIN. 2 PCS)
13	DW18044	TUBO DIAM.28 EPDM LAV.SUP. STAR	TUYAU FORME EPDM D.28

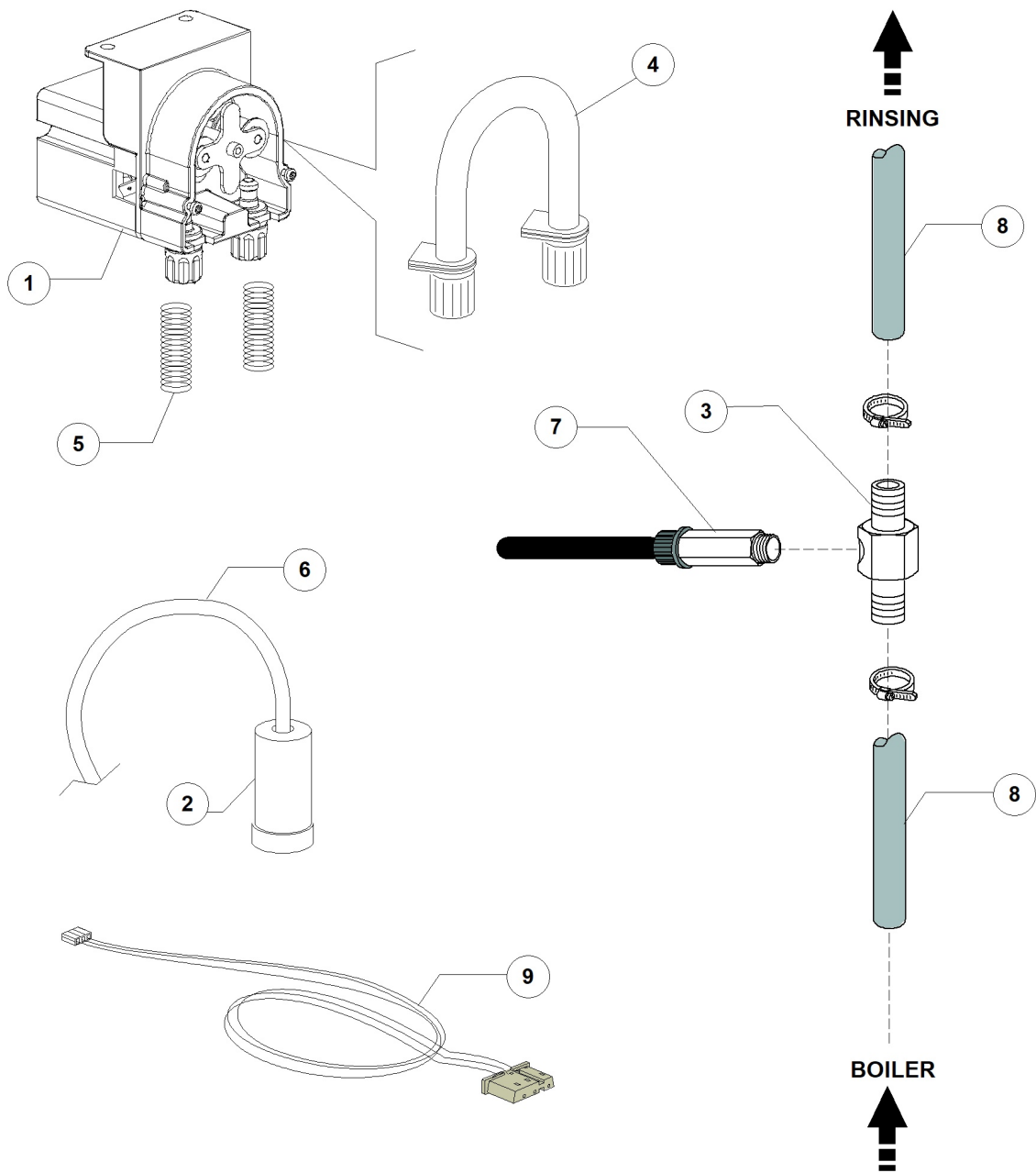
ELGC500 HR 380-400/3N/50 Hz - DWT1000306 - Pompe rinçage / PAP - DW136P



ELGC500 HR 380-400/3N/50 Hz - DWT1000306 - Pompe rinçage / PAP - DW136P

Pos.	Code	Descrizione	Description
1	DW15100/DO	POMPA RISCIAQUO 220-240/50 (PLUS)	POMPE DE RINCAGE 220-240/50HZ (PLUS)
2	DW16043	#CONDENSATORE POMPA uf8	CONDENSATEUR uf8
3	DW15100/S	TENUTE ROTANTI EPDM(15100/DO)	GUARNITURE MECANIQUE (15100/DO)
4	DW15100/T	OR EPDM(15100/DO)	JOINT COUVERCLE DE POMPE (DW15100/DO)
5	DW15100/U	#GIRANTE 90X2.5 (15100/DO)	ROTOR DE POMPE 90X2,5 (DW15100/DO)
6	DW15100/V	#CHIOCCIOLA ANTE. (15100/DO)	COUVERCLE DE POMPE 15100/DO
7	DW2907351	TUBO GOMMA EPDM 11,5X19	TUYAU EN CAOUTCHOUC 11,5X19
8	DW23235	STAFFA SUPP. POMPA A.P.	SUPPORT POMPE DE AUGMENTATION PRESSION

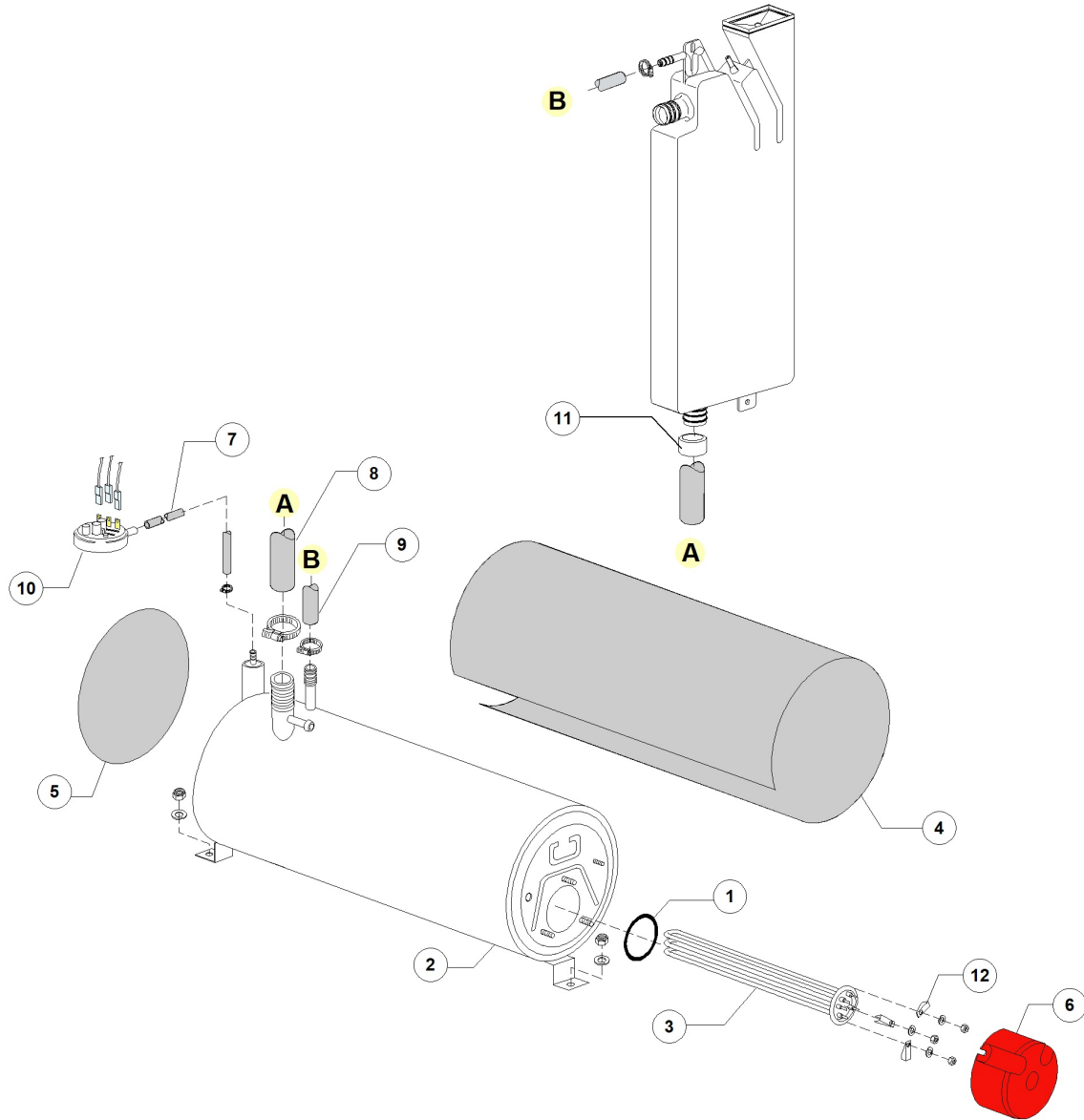
ELGC500 HR 380-400/3N/50 Hz - DWT1000306 - Groupe doseur produit de rinçage - DW136P



ELGC500 HR 380-400/3N/50 Hz - DWT1000306 - Groupe doseur produit de rinçage - DW136P

Pos.	Code	Descrizione	Description
1	DW530461	DOS.BRILLANTANTE ELETTR. REG. DA FW 1l/h	DOSEUR PRODUIT DE RINCAGE RÃ%oGLABLE 1l/h
2	DW15058	FILTRINO CON PESO ASPIR. DET/BRIL	FILTRE (MIN. 3 PCS)
3	DW3003906/A	DERIV. A T ENTR. BRILL. SENZA TAPPO	"RACCORDEMENT EN T AVEC BOUCHON 1/8"
4	DW15186/C	TUBO MEMBRANA DOS BRIL CONTINUO	TUYAU MEMBRANE DOSEUR PROD. RINÃ#AGE
5	DW10763	MOLLA D.05 INOX PER TUB. D.6x4 PVC	RESSORT INOX
6	DW14502/A	TUBETTO PVC 6X4 VERDE	TUYAU VERT EN PVC D.6X4
7	DW15122	VALVOLA 1/8G TENUTA EPDM	CLAPET DE NON-RETOUR 1/8G EPDM
8	DW2907351	TUBO GOMMA EPDM 11,5X19	TUYAU EN CAOUTCHOUC 11,5X19

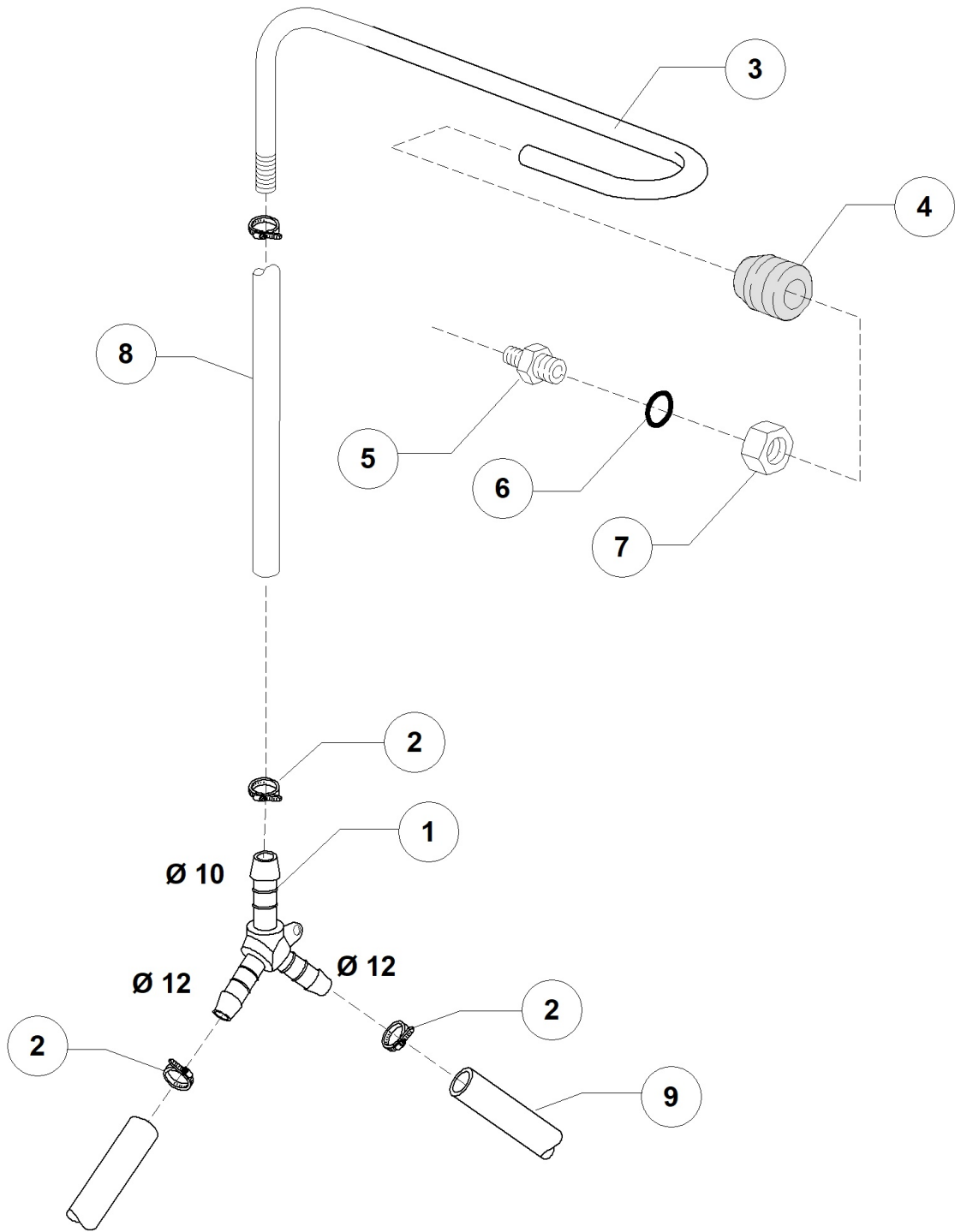
ELGC500 HR 380-400/3N/50 Hz - DWT1000306 - Groupe chauffe-eau - DW136P



ELGC500 HR 380-400/3N/50 Hz - DWT1000306 - Groupe chauffe-eau - DW136P

Pos.	Code	Descrizione	Description
1	DW13015	GUARNIZIONE 6225 OR 160 NBR	JOINT 6225 OR 160 NBR (MIN. 5 PZ)
3	DW30001011	RESIST.9000/9800W 230/240V 3	RESISTANCE 9000/9800W 230/240V 3
4	DW11600110	COIBENTE PER BOILER ATM D190	ISOLANT POUR CHAUFFE-EAU ATMOSFERIQUE
4	DW30002030	COIBENTAZIONE BOILER D.155X500	ISOLANT POUR CHAUFFE-EAU
5	DW91115	DISCO IN ESPANSOLENE AUTOESTING.D.190X3	DISQUE ISOLANT D.190
6	DW75311	CUFFIOTTO PER RESISTENZA 26/03/97	COUVERCLE POUR RESISTANCE
7	DW14508	TUBO EPDM 4.5X9 PER PRESSOSTATO	TUYAU EPDM 4,5X9 (MIN. 2 MT)
8	DW11600105	MAN.BT-BOILER ATM.RADIO 36X28X500	MANCHON 36X28X500
9	DW2907351	TUBO GOMMA EPDM 11,5X19	TUYAU EN CAOUTCHOUC 11,5X19
11	DW12533	RINFORZO COLLARE USCITA BREAK TANK	RENFORCEMENT COLLIER DE SORTIE BT
12	DW16045	STAFFE FISSAGGIO RESIST.FORO 6.3	ETRIER DE FIXATION RESISTANCE D.6,3

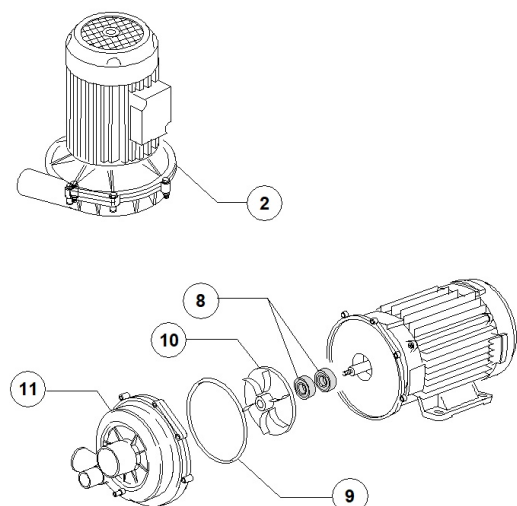
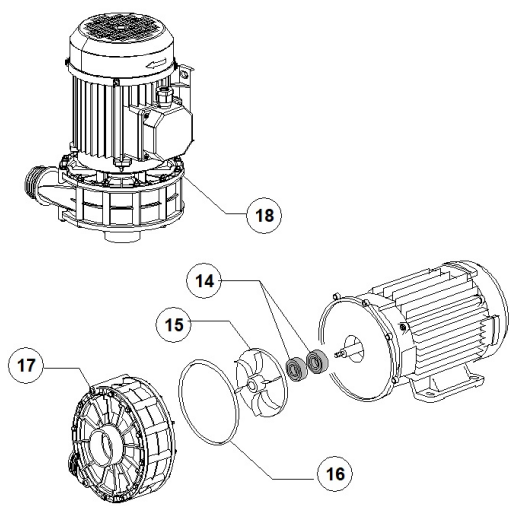
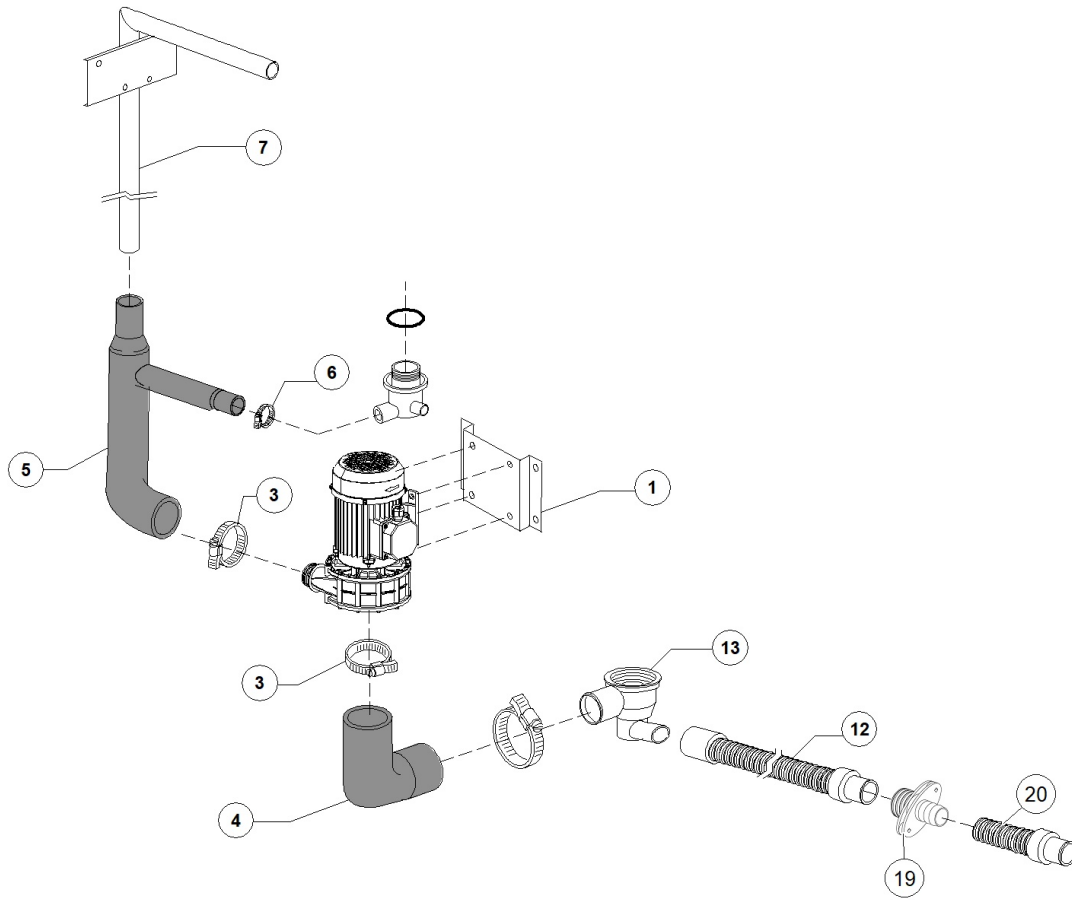
ELGC500 HR 380-400/3N/50 Hz - DWT1000306 - Dérivation 3 voies - DW136P



ELGC500 HR 380-400/3N/50 Hz - DWT1000306 - Dérivation 3 voies - DW136P

Pos.	Code	Descrizione	Description
1	DW540104	DERIV. 3VIE Y D.12-12-10 PLASTICA	RACCORDMENT EN Y PLASTIQUE D.12-12-10
2	DW11807	FASCETTE AISI 430 12/22	COLLIER AISI 430 12/22 (MIN. 3 PCS)
3	DW76082	RAMPA RISC. 11/04-G12/03 COMPLETA	RAMPE DE RINCAGE 11/04-12/03
4	DW13304	GUARNIZIONE PASSATUBO 70SH	BAGUE EN CAOUTCHOU 70SH
5	DW12006	RACC. TUBO RISC.DIAM.10 COMP. INOX	MAMELON INOX D.10
6	DW13003	GUARNIZIONE OR 112 NBR	JOINT OR 112 NBR (MIN. 10 PZ)
7	DW12006/A	DADO3/8x3,5ES.19 X RACC.TUBO DIAM10	"ECROU 3/8"X3,5 A SIX PANS D.10"
8	DW14506	TUBO GOMMA DIAM 9,5X16 EPDM	TUYAU EN CAOUTCHOUC EPDM 10X17
9	DW2907351	TUBO GOMMA EPDM 11,5X19	TUYAU EN CAOUTCHOUC 11,5X19

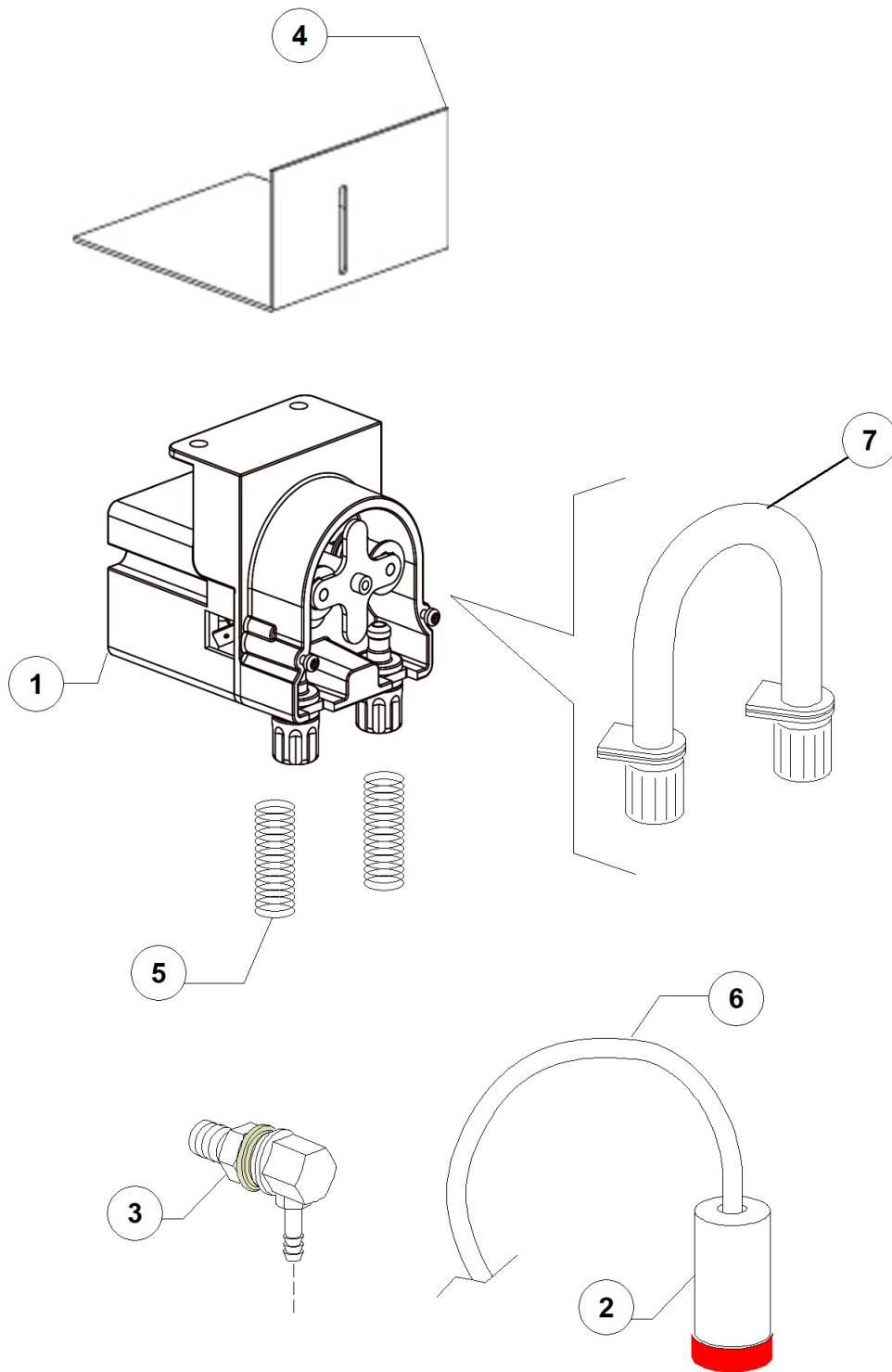
ELGC500 HR 380-400/3N/50 Hz - DWT1000306 - Groupe pompe de lavage - DW136P



ELGC500 HR 380-400/3N/50 Hz - DWT1000306 - Groupe pompe de lavage - DW136P

Pos.	Code	Descrizione	Description
1	DW11600623	STAFFA SUPPORTO POMPA G12	SUPPORT POMPE
2	DW22037	POMPA HP2.0 220-240/380-415 50Hz	POMPE HP2.0 220-240/380-415V3/50HZ
3	DW11824	FASCETTA AISI 430 50-70	COLLIER AISI 430 50/70 (MIN. 2 PCS)
4	DW11600100	MANICOTTO ASPIRAZIONE G12/03	TUYAU FORME DE ASPIRATION
5	DW11600101	MANICOTTO MANDATA G12/03	TUYAU FORME DE ASPIRATION
6	DW11806	FASCETTE AISI 430 25/40	COLLIER AISI 430 25/40 (MIN. 2 PCS)
7	DW11600103	RAMPA LAVAGGIO G12/03-11S/03	RAMPE DE LAVAGE
8	DW15080	PREMISTOPA+CONTROFACCIA	GUARNITURE MECANIQUE
9	DW10200290	#GUARNIZIONE OR POMPA 1225	JOINT OR 1225
10	DW22045	#GIRANTE POMPA HP2 MOD.1226	ROTOR POMPE (POMPE 2HP)
11	DW10200222	#COPERCHIO POMPA 1225+1226	COUVERCLE DE PROTECTION POMPE
12	DW520405	CANNA SCARICO 0,65 MT 24-28 PIPA	TUYAU DE DECHARGE 0,65 MT 24-28
13	DW500606	POZZETTO CON SCARICO LATERALE DX	ENTONNOIR D'EVACUATION DROIT
14	DW15080	PREMISTOPA+CONTROFACCIA	GUARNITURE MECANIQUE
15	DW22045/O	#GIRANTE POMPA 2HP MEC80.T200SX(OLYMPIA)	ROTOR POMPE (POMPE 2HP)
16	DW10200290/O	#GUARN.OR POMPA MEC80.T200SX(OLYMPIA)	GUARN.OR POMPA MEC80.T200SX(OLYMPIA)
17	DW10200222/O	#KIT CHIOCCIOLA POMPA MEC80.T200SX(OLYMP	COUVERCLE DE PROTECTION POMPE
18	DW22037	POMPA HP2.0 220-240/380-415 50Hz	POMPE HP2.0 220-240/380-415V3/50HZ
19	DW540207	RACCORDO SCARICO 20-28 TOP	RACCORD DE DECHARGE
20	DW10727	CANNA SCARICO mt.1.5 D.24 PICCOLA	TUYAU DE DECHARGE 1,5MT D.24

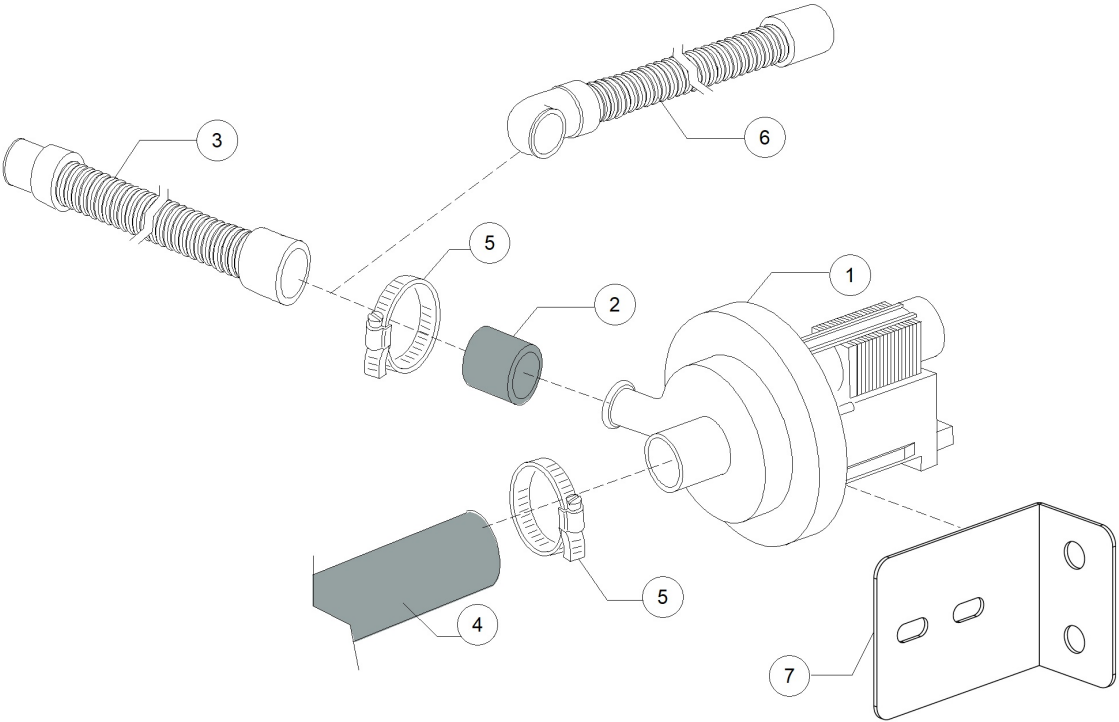
ELGC500 HR 380-400/3N/50 Hz - DWT1000306 - Groupe doseur détergent - DW136P



ELGC500 HR 380-400/3N/50 Hz - DWT1000306 - Groupe doseur détergent - DW136P

Pos.	Code	Descrizione	Description
1	DW530460	DOS.DETERSIVO ELETTR. REG. DA FW 3l/h	DOSEUR DETERGENT R��GLABLE 3l/h
2	DW15058	FILTRINO CON PESO ASPIR. DET/BRIL	FILTRE (MIN. 3 PCS)
3	DW15123	INIETTORE DETER. A GOMITO INOX	INJECTEUR INOX DOSEUR DETERGENT
4	DW25030	SUPPORTO DDE RL/09	SUPPORT DOSEURS RL/09
5	DW10763	MOLLA D.05 INOX PER TUB. D.6x4 PVC	RESSORT INOX
6	DW14503	TUBO PVC DIAM.6x4 TRASPARENTE	TUYAU TRANSPARENT EN PVC D.6X4
7	DW15108/E	TUBO TERMOPLASTICO DDE GERMAC	TUYAU THERMOPLASTIC DOSEUR GERMAC
7	DW15185	TUBO MEMBRANA DDE SEKO DET.	TUYAU THERMOPLASTIC DOSEUR SEKO
7	DW15297	TUBO MEMBRANA DDE SEKO 04/2013	TUYAU THERMOPLASTIC DOSEUR SEKO
7	DW15297/T	TUBO TERMOPLASTICO DDE TECNOPRO	TUYAU THERMOPLASTIC DOSEUR TECNOPRO
7	DW15985/A	#TUBO TERMOPLASTICO DDE MICRODOS	TUBE THERMOPLASTIQUE MICRODOS

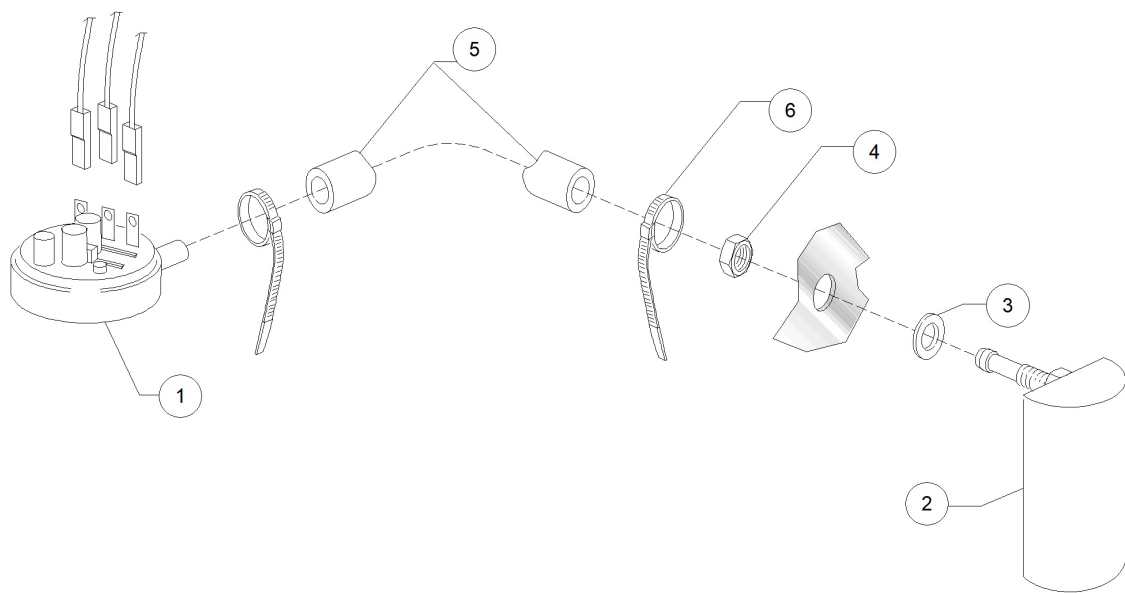
ELGC500 HR 380-400/3N/50 Hz - DWT1000306 - Groupe pompe de vidange - DW136P



ELGC500 HR 380-400/3N/50 Hz - DWT1000306 - Groupe pompe de vidange - DW136P

Pos.	Code	Descrizione	Description
1	DW15101	POMPA SCARICO SINCR. 220/240V 50Hz	POMPE DE VIDANGE 220-240V/50HZ
2	DW15101/D	MAN.COMP.USCITA PS 28x22 L21	TUYAU FORME 28X22 L21 (MIN. 3 PCS)
3	DW10727	CANNA SCARICO mt.1.5 D.24 PICCOLA	TUYAU DE DECHARGE 1,5MT D.24
4	DW18044	TUBO DIAM.28 EPDM LAV.SUP. STAR	TUYAU FORME EPDM D.28
5	DW11806	FASCETTE AISI 430 25/40	COLLIER AISI 430 25/40 (MIN. 2 PCS)
6	DW25031	CANNA SCARICO 1,5 MT 24-28 PIPA	TUYAU DE DECHARGE 1,5MT 24-28
7	DW11600308	PIEG. STAFFA POMPA SCARICO HT 12	SOUS-PORTE/PANNEAU COMM.

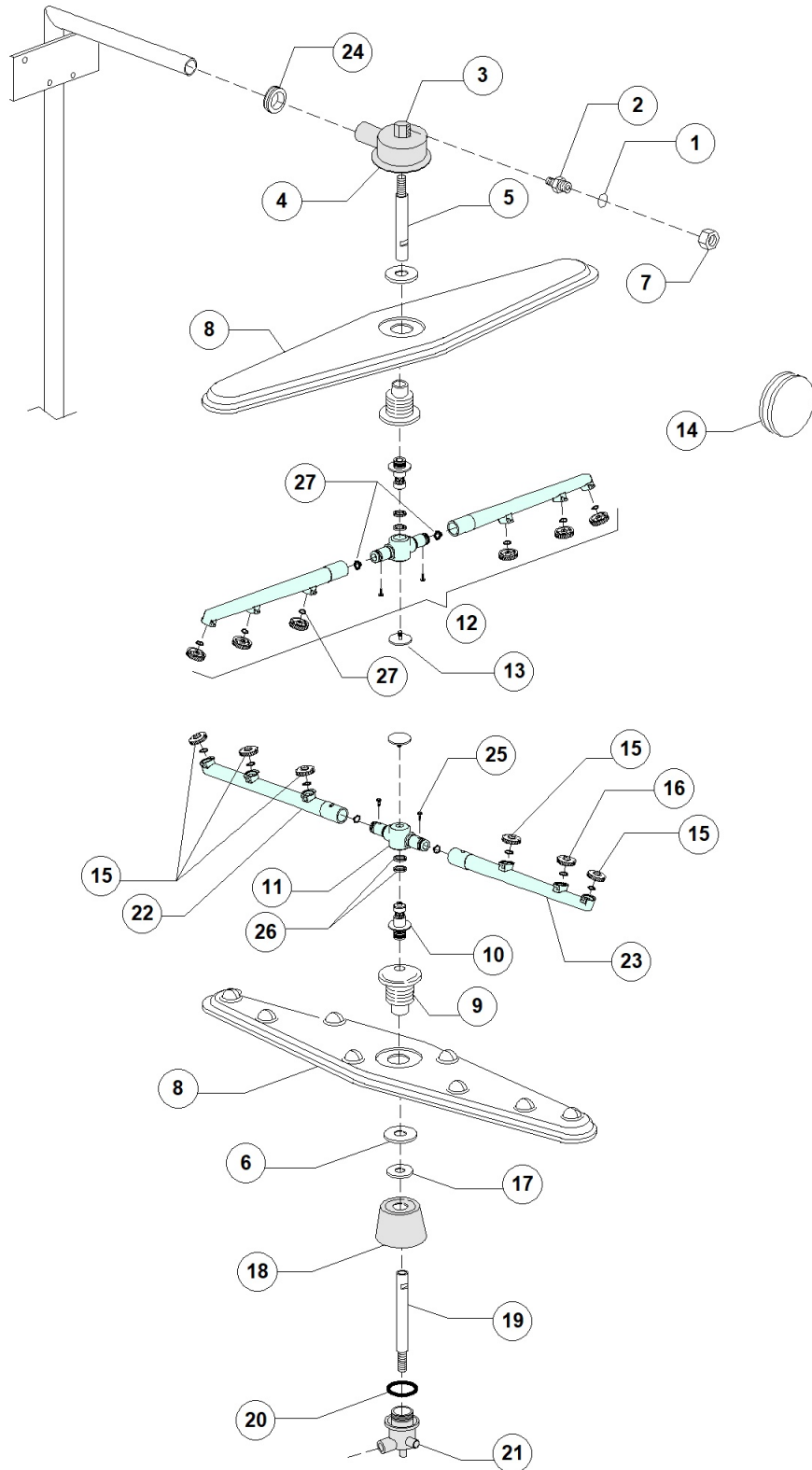
ELGC500 HR 380-400/3N/50 Hz - DWT1000306 - Groupe pressostat - DW136P



ELGC500 HR 380-400/3N/50 Hz - DWT1000306 - Groupe pressostat - DW136P

Pos.	Code	Descrizione	Description
1	DW88110	PRESSOSTATO 250-40	PRESSOSTAT 250-40
2	DW135911	ASSIEME GABBIA D'ARIA GRIGIA L90	ENS. CHAMBRE DE COMPRESSION GRIS L90
3	DW13301	GUARNIZ. IN FASIT 202 D14x8x1,5	JOINT D14X8X1,5 (MIN. 10 PCS)
4	DW11702	DADO M8 INOX UNI5588 DIN934	ECROU M8 INOX DIN934 (MIN. 20 PCS)
5	DW14508	TUBO EPDM 4.5X9 PER PRESSOSTATO	TUYAU EPDM 4,5X9 (MIN. 2 MT)
6	DW10738	FASCETTA PLASTICA 98X2.5	COLLIER PLASTIQUE 98X2,5

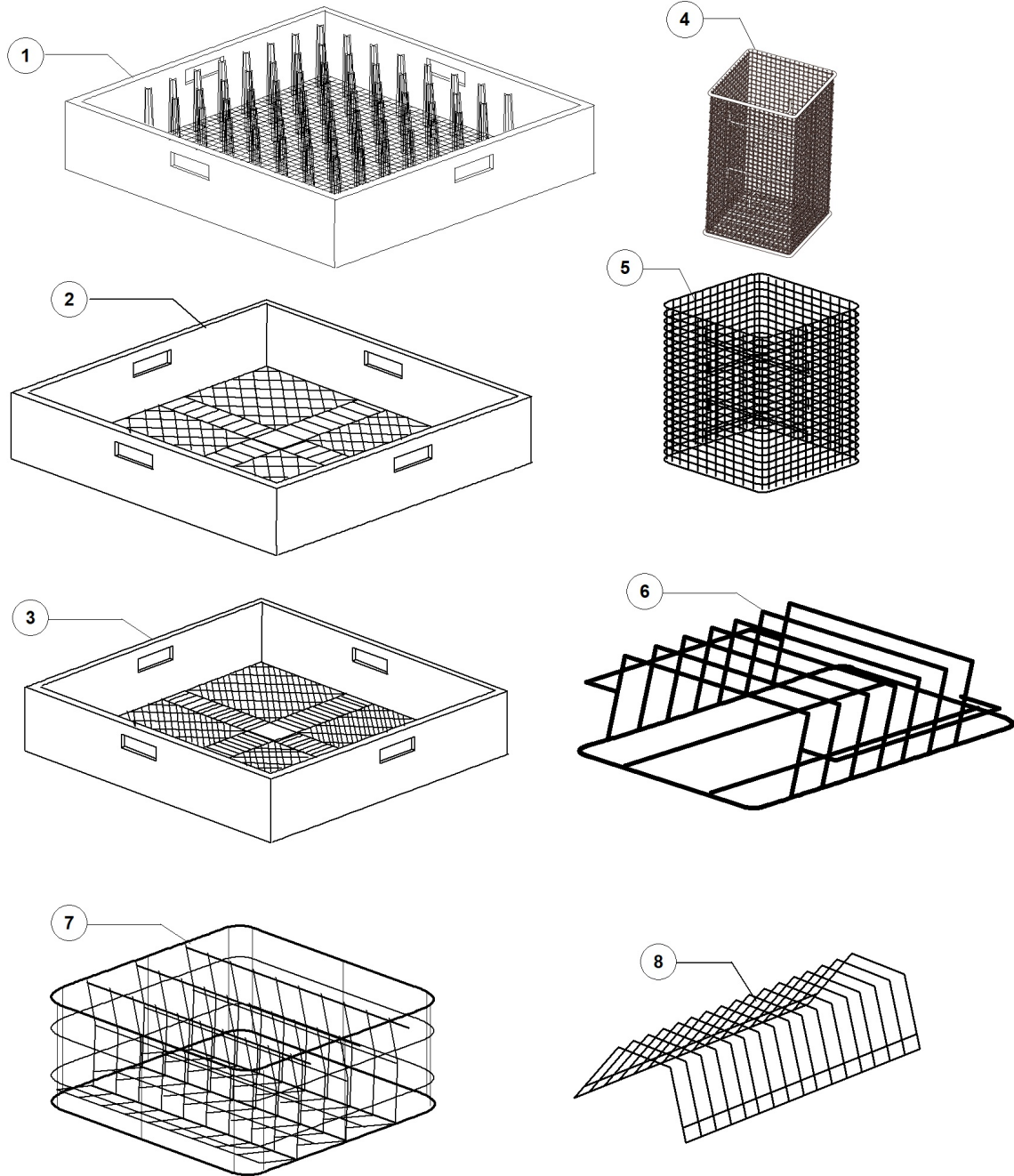
ELGC500 HR 380-400/3N/50 Hz - DWT1000306 - Groupe tourelles avec couronnes - DW136P



ELGC500 HR 380-400/3N/50 Hz - DWT1000306 - Groupe tourelles avec couronnes - DW136P

Pos.	Code	Descrizione	Description
1	DW13003	GUARNIZIONE OR 112 NBR	JOINT OR 112 NBR (MIN. 10 PZ)
2	DW12006	RACC. TUBO RISC.DIAM.10 COMP. INOX	MAMELON INOX D.10
3	DW75319	"GOMITO RISCIAQUO G 1/4"	"COLLECTEUR DE RINCAGE G1/4"
4	DW78001	TORRETTA INOX PER GIRANTE INOX G12	SUPPORT INOX BRAS DE LAVAGE
5	DW75322	PROLUNGA PER ASSE RISC. SUP 11S 98	AXE DE RINCAGE
6	DW75317	DADO PER MOZZO GIR. 11S/96	ECROU POUR DUILLE 11S/96
7	DW12006/A	DADO3/8x3,5ES.19 X RACC.TUBO DIAM10	"ECROU 3/8"X3,5 A SIX PANS D.10"
8	DW10600900	GIRANTE LAVAGGIO G12/03-LP1S	BRAS DE LAVAGE
9	DW75320	MOZZO PER GIRANTE 11 S 09/98	MOYEU DE FIXATION BRAS
10	DW10651	ASSE RISCIAQUO/03	TIGE DE RINCAGE 03
11	DW75920/A	MOZZO PER GIRANTE RISCIAQUO 2009	MOYEU DE FIXATION BRAS DE RINCAGE
12	DW75920	GRUPPO RISC.SUP/INF 2009	BRAS DE RINCAGE INFERIEURS/SUPERIEURS
13	DW10652	VITE RISCIAQUO/03	VIS MOLETEE DE RINCAGE 03
14	DW13316/A	GUARNIZIONE CIECA PER FORO DVGW	BOUCHON POUR TROU DVGW
15	DW10371	TESTA UGEL. RISC. 95 APER. GRIG (MIN 10)	GICLEUR DE RINCAGE OUVERT (LOT 10PCS)
16	DW10372	TESTA UGEL.RISC.95 CHIU. GRIGIO (MIN 10)	GICLEUR DE RINCAGE FERME (LOT 10PCS)
17	DW11600033	ANELLO RIDUZIONE FLUSSO G 12 S	ANNEAU REDUCTEUR FLUXE
18	DW11600035	TORRET. INF.SOST.GIRELLO G12 GRIGIA	SUPPORT INFERIEUR BRAS DE LAVAGE
19	DW11600021	ASSE RISCIAQUO INFERIORE G 12S	AXE DE RINCAGE INFERIEUR
20	DW13015	GUARNIZIONE 6225 OR 160 NBR	JOINT 6225 OR 160 NBR (MIN. 5 PZ)
21	DW500621	TORR.INFER.PER GASTRO 12S GRIGIO	SUPPORT INFERIEUR BRAS DE LAVAGE
22	DW75920/D	TUBO RISC. DX GRIGIO 2009	BRAS DE RINCAGE DROIT
23	DW75920/S	TUBO RISC. SX GRIGIO 2009	BRAS DE RINCAGE GAUCHE
24	DW76081	GUARN.RAMPA 51x34x14(11/04-G12/03)	JOINT D'ETANCHEITE 51X34X14
25	DW11004	VITE TCB D.8 DENTATA 4X10 SPAX	VIS TCB D.8 4X10 SPAX
26	DW75920/B	ANELLI TENUTA MOZZO RISCIAQUO 2009	BAGUE D'ESPACEMENT
27	DW13002	GUARNIZIONE OR R6 NBR (10 PZ MINIMO)	JOINT OR R6 NBR (minimum 10 piÃ¨ces)

ELGC500 HR 380-400/3N/50 Hz - DWT1000306 - Paniers - DW136P



ELGC500 HR 380-400/3N/50 Hz - DWT1000306 - Paniers - DW136P

Pos.	Code	Descrizione	Description
1	DWC40	CESTO PIATTI PLASTICA 50X50	PANIER PLASTIQUE ASSIETTES 500X500
2	DWC44	CESTO BICCHIERI MAGL.LARGA PLASTICA	PANIER A VERRE 500X500 MAILLE LARGE
3	DWC41	CESTO POSATE MAG.STRETTA PLASTICA	PANIER TRACT COUVERTS
5	DW15060	INSERTO CUCCHIAINI GRANDI DIS.G.060	PANIER A COUVERTS

