

cod.DW200E

data:19/02/2025

**Catalogo ricambi
Spare parts catalog
Catalogue de pièces détachées
Ersatzteilkatalog
Catálogo de repuestos
Catálogo de peças de reposição
Каталог запасных частей**

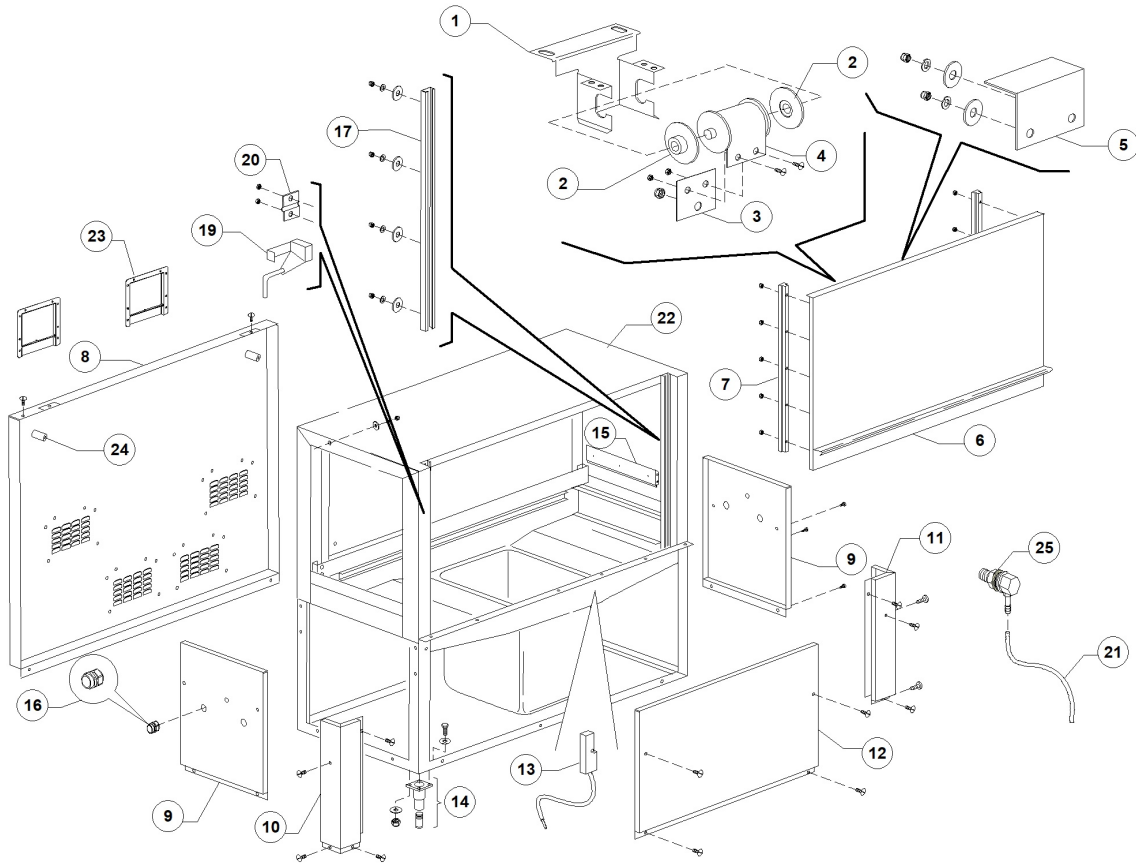
RX101E DX HR5 380-400/3N/50Hz B316



S/N:DWU1003511



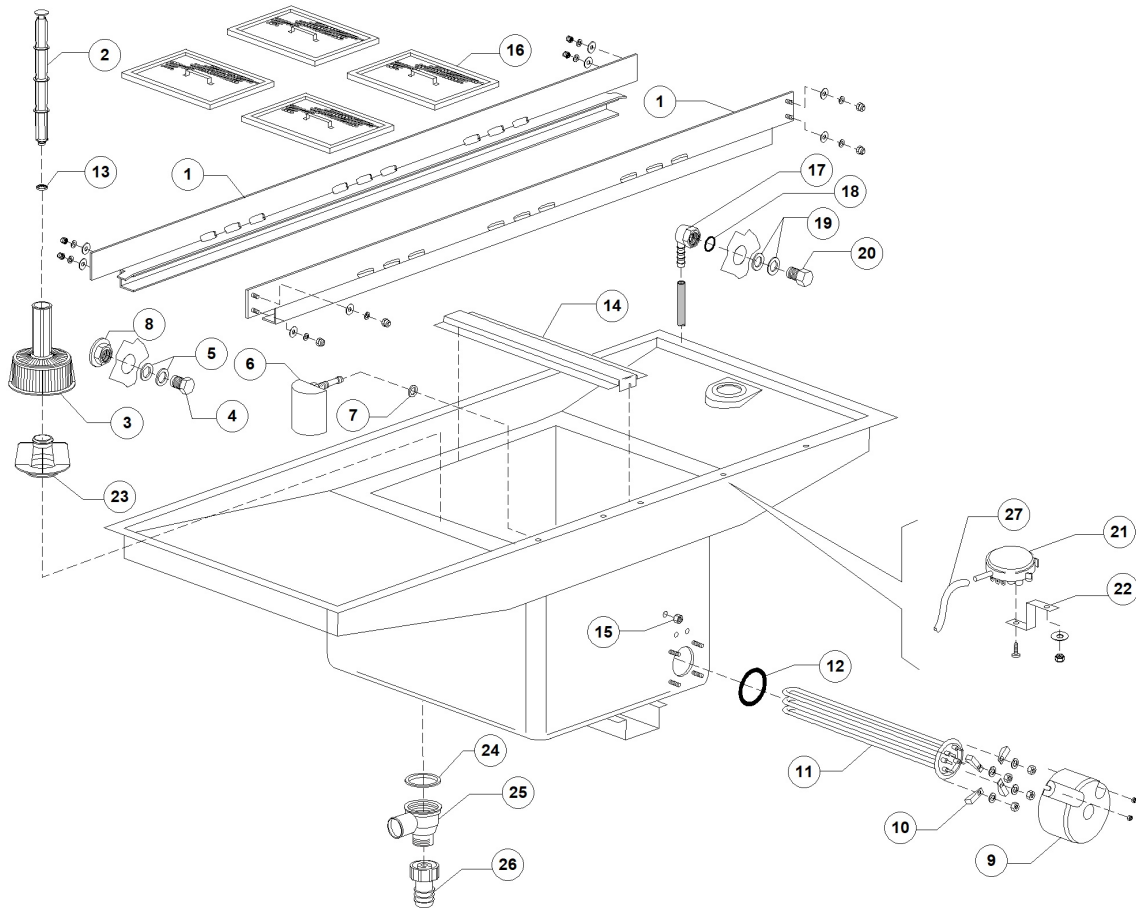
RX101E DX HR5 380-400/3N/50Hz B316 - DWU1003511 - Gruppo carrozzeria (1) - DW200E



RX101E DX HR5 380-400/3N/50Hz B316 - DWU1003511 - Gruppo carrozzeria (1) - DW200E

Pos.	Codice	Descrizione	Description
1	DW3009664	#STAFFA SUP.MOLLA BBSR21/23 2003 (N)	SPRING SUPPORT BRACKET BBSR21/23 2003
2	DW3004012	SPALLA SUPPORTO MOLLA PORTA	SPRING HOLDER
3	DW3009555	#PIASTRINA FIX MOLLA TRAINO AX151	SPRING CLAMPING PLATE
4	DW3004010	MOLLA INOX PER PORTA MOD. BBSR21	DOOR SPRING BBSR21
5	DW3009269	#SQ.FINE CORSA PORTA	DOOR STOP
6	DW391040	#ASSIEME PORTA TYPE 91 COMPLETA	COMPLETE DOOR ASSEMBLY TYPE 91
7	DW75304	PATTINO SCORRIMENTO CAPOTTA L600	HOOD SLIDING GUIDE L600
8	DW391022	SCHIENALE TYPE 91(4x 3071286)	BACK PANEL TYPE 91 (4X3071286)
9	DW391021	SOTTOPORTA LAT. DX /SX TYPE 91-92	LATERAL FRONT PANEL TYPE 91/92
10	DW391018	ANGOLO SOTTOPORTA DX TYPE 91-92	RIGHT ANGLE FRONT PANEL
11	DW391019	ANGOLO SOTTOPORTA SX TYPE 91-92	LEFT ANGLE FRONT PANEL
12	DW391020/J	SOTTOPORTA ANTERIORE RX101 (ENODIS)	
13	DW10778	MICROCONTATTO MAGNETICO REED	DOOR MICROSWITCH
14	DW80116	"PIEDINO 2" REG. 112-215 A304"	"ADJUSTABLE FOOT 112-215 2""
15	DW391023	SPONDINA LATERALE TYPE 91	SIDE BOARD TYPE 91
16	DW80416	PRESSACAVO PG16 OBO CON GHIERA	CABLE FITTING PG16 OBO WITH RING NUT
17	DW391039	#GUIDA PATTINO PORTA TYPE 91-92	SLIDEWAYS TYPE 91-92
19	DW3000315	GANCIO SICUREZZA PORTA FX/CX	SAFETY DOOR HOOK
20	DW3000314	STAFFA SICUREZZA PORTA FX/CX	DOOR SAFETY BRACKET
21	DW14503	TUBO PVC DIAM.6x4 TRASPARENTE	D.6X4 PVC TRANSPARENT HOSE
22	DW391017	CARROZZERIA TYPE 161	BODYWORK
23	DW3071286	CARTER PER IPX4 /IPX5 ESTERNO	EXTERNAL PROTECTION IPX4/IPX5
24	DW391081	PROLUNGA FISS. SCHIENALI TYPE 91-92	FIXING BACKS EXTENSION
25	DW15123	INIETTORE DETER. A GOMITO INOX	S/S DOSING PUMP INJECTOR

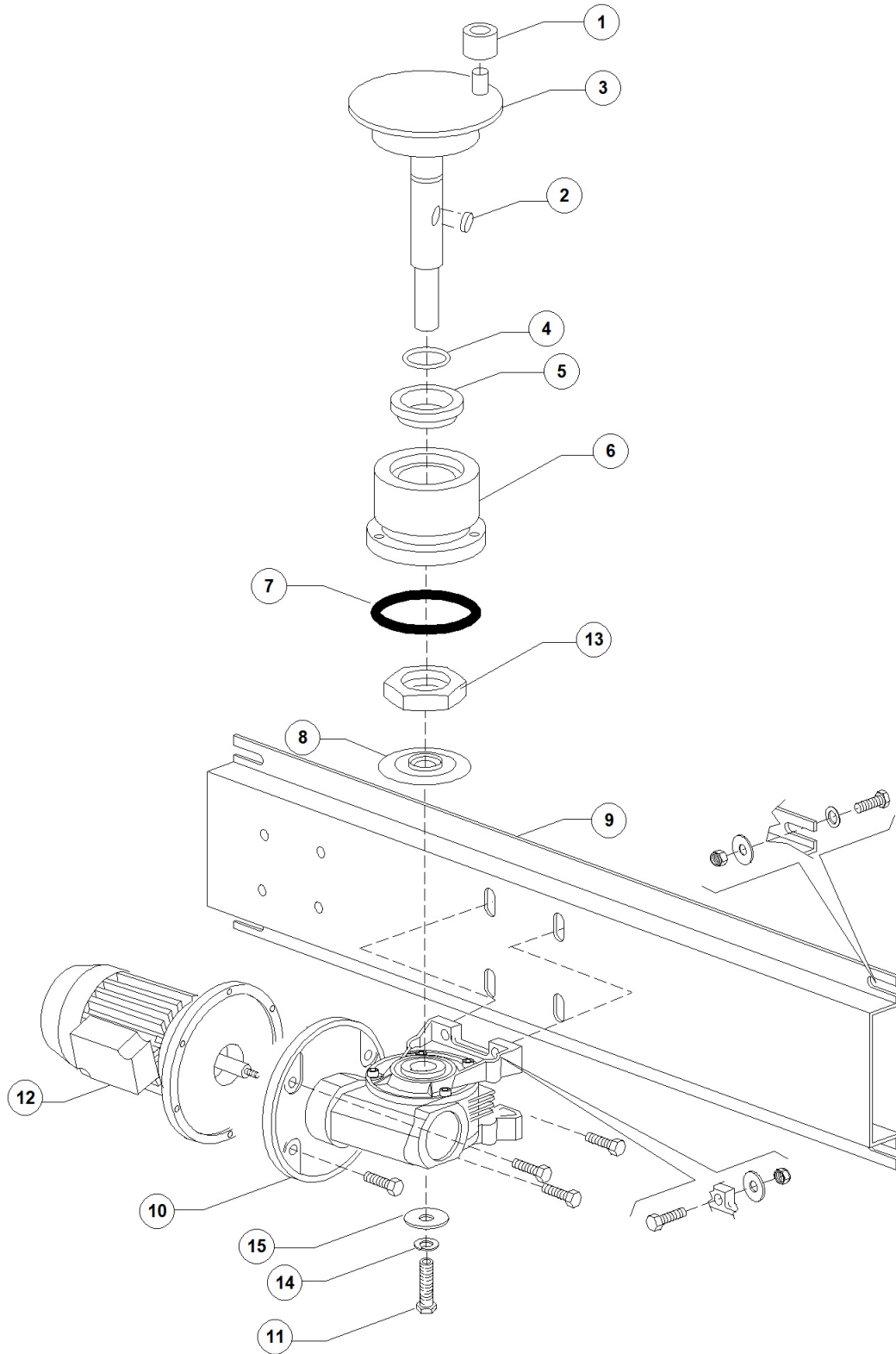
RX101E DX HR5 380-400/3N/50Hz B316 - DWU1003511 - Gruppo carrozzeria (2) - DW200E



RX101E DX HR5 380-400/3N/50Hz B316 - DWU1003511 - Gruppo carrozzeria (2) - DW200E

Pos.	Codice	Descrizione	Description
1	DW391043	PIEG. GUIDACESTO TYPE 91	BASKET-SLIDE BAR
2	DW11600102	TROPPO PIENO G12/03	OVERFLOW PIPE G12/03
3	DW500599	FILTRO ASPIR. CON PROLUNGA	SUCTION FILTER
4	DW391077	"TAPPO G3/8" PLASTICA (min 5 pz)"	PLASTIC G3/8 PLUG (MIN. 5 PCS)
5	DW391079	"GUARN. G3/8" (per 391078-7) (min 5 pz)"	G3/8 GASKET
6	DW135911	ASSIEME GABBIA D'ARIA GRIGIA L90	GREY AIR TRAP ASSEMBLY L90
7	DW13301	GUARNIZ. IN FASIT 202 D14x8x1,5	O-RING ROLMART D14X8X1,5
8	DW391078	"GHIERA G3/8" PLASTICA (min 5 pz)"	"PLASTIC RING NUT G3/8" (MIN. 5 PCS)"
9	DW75311	CUFFIOTTO PER RESISTENZA 26/03/97	HEATING ELEMENT COVER
10	DW16045	STAFFE FISSAGGIO RESIST.FORO 6.3	HEATING ELEMENT MOUNTING BRACKET D.6,3
11	DW30001011	RESIST.9000/9800W 230/240V 3	9000/9800W 230/240V 3 HEATING ELEM.
12	DW13015	GUARNIZIONE 6225 OR 160 NBR	6225 O-RING 160 NBR
13	DW13021	GUARNIZIONE DEM 40 PER TROPPOPP. GS	OVERLOW PIPE GASKET DEM 40 (MIN. 2 PCS)
14	DW93509	TRAVERSO CENTR.SUPP.FILTRO P4S8	CENTRAL TRANSVERS.SUPP.FOR FILTER P4S8
15	DW11702	DADO M8 INOX UNI5588 DIN934	S/S NUT M8 DIN934 (MIN. 20 PCS)
16	DW11600907	FILTRO VASCA POS. G12/03 & 11/03	TANK BACK FILTER
17	DW3003129	GOMITO PORTAGOMMA 12 - G3/8	ELBOW HOSE-CONNECTION 12 G3/8
18	DW3003130	GUARNIZIONE OR 123 NBR	O-RING 123 NBR
19	DW3009387	RONDELLA GOMITO CARICO	LOADING ELBOW WASHER
20	DW3003128	GOMITO DI CARICO G3/8	LOADING ELBOW G3/8
21	DW88110	PRESSOSTATO 250-40	PRESSURE SWITCH 250-40
22	DW3009363	SUPPORTO PRESSOSTATO	PRESSURE-SWITCH SUPPORT
23	DW500615	GHIERA CON INNESTO FILTRO MOD.50	FERRULE FOR FILTER CLUTCH
24	DW80208	GUARNIZIONE RAMPALP2 DIAM.95X75X3	RISER GASKET D.95X75X3 (MIN. 2 PCS)
25	DW500603	POZZETTO SCARICO CON FILETTO	SCRAP TRAY
26	DW15613/A	"PORTAGOMM.SCARICO 1"1/4X32 DRITTO"	"STRAIGHT HOSE CONNECTOR 1"1/4X32"
27	DW14508	TUBO EPDM 4.5X9 PER PRESSOSTATO	EPDM HOSE 4.5X9 FOR PRESSURE SWITCH

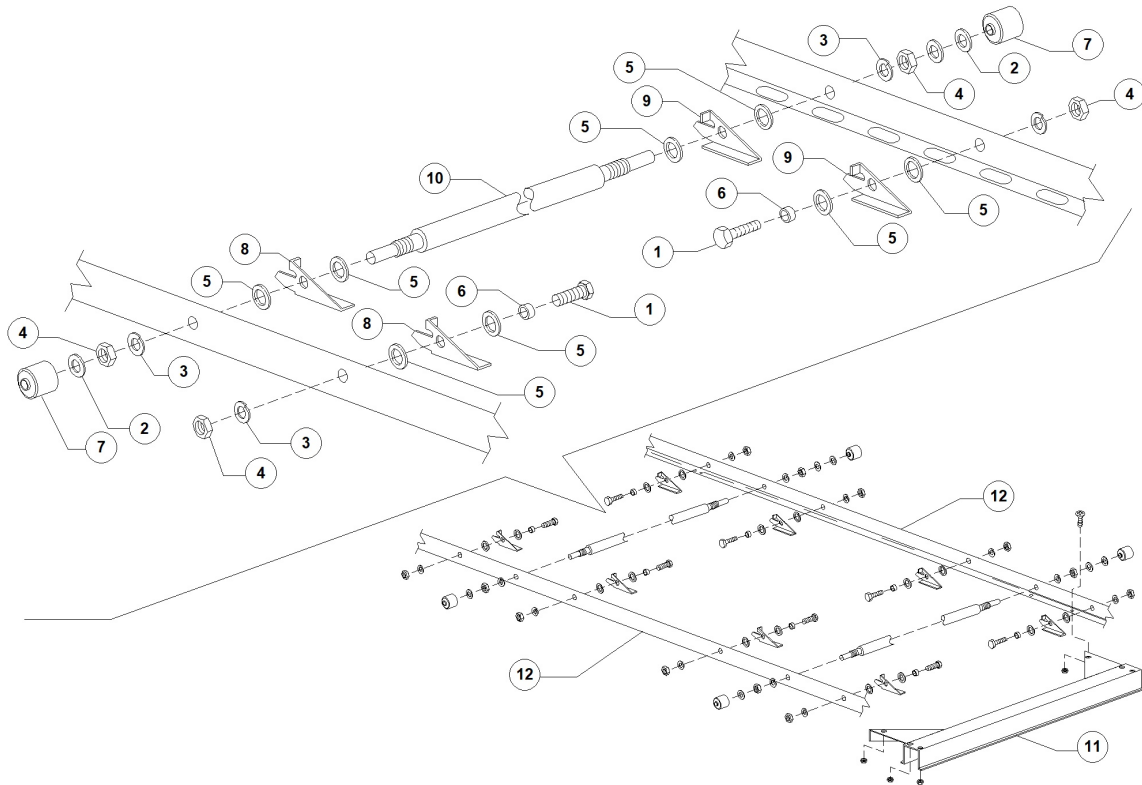
RX101E DX HR5 380-400/3N/50Hz B316 - DWU1003511 - Componenti Motoriduttore - DW200E



RX101E DX HR5 380-400/3N/50Hz B316 - DWU1003511 - Componenti Motoriduttore - DW200E

Pos.	Codice	Descrizione	Description
1	DW3003012	RULLINO PER ECCENTRICO	ROLLER FOR ECCENTRIC
2	DW2001046	CHIAVETTA 8X7X30 INOX	S/S FLAT KEY 8X7X30
3	DW3003116	ASSIEME ALBERO LUNGO CON ECC. '99	ECCENTRIC SHAFT
4	DW13023	GUARNIZ. OR 131 (4093)	O-RING 131 (4093) GASKET
5	DW13021	GUARNIZIONE DEM 40 PER TROPPOPP. GS	OVERLOW PIPE GASKET DEM 40 (MIN. 2 PCS)
5	DW13024	PARAOLIO DEM40 TC30X42X7 MOLLA INOX	OIL SPLASH GUARD DEM 40 TC 30X42X7
6	DW3004131	BOCCOLA ALBERO RIDUT. AX	ECCENTRIC SHAFT BUSH
7	DW13015	GUARNIZIONE 6225 OR 160 NBR	6225 O-RING 160 NBR
8	DW3004161	DISCO ANTIGOCCIA PER ASSE MOTORIDUT	MOTOR GEAR SHAFT PROTECTION DISK
9	DW391024	SUPPORTO MOTORID. TYPE 91-92	GEARMOTOR SUPPORT
10	DW3000212	RIDUT. TRAINO LIMIT. 1:60 DESTRO	R 1:60 REDUCTION GEAR CONVEYOR MACHINES
11	DW11165	VITE INOX M8X40 TE DIN933	M8X40 TE S/S SCREW
12	DW3071341	MOTORE 6P 230V3 50/60Hz INVERTER	CONVEYOR MOTOR 6P 230V3 50HZ INVERTER
13	DW3004183	DADO PER BOCCOLA COD.3004131-32	FERRULE FASTENING NUT
14	DW11609	RONDELLA GROWER M8 INOX DIN127	M8 S/S GROWER WASHER DIN127
15	DW11186	RONDELLA 8X24 PIANA INOX DIN9021	8X24 S/S PLANE WASHER DIN902

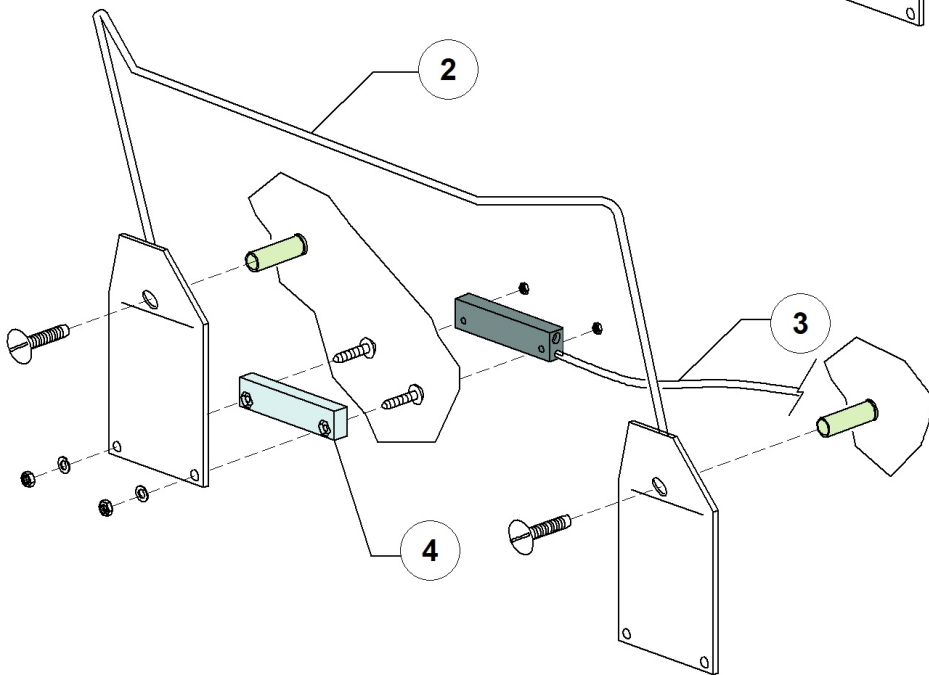
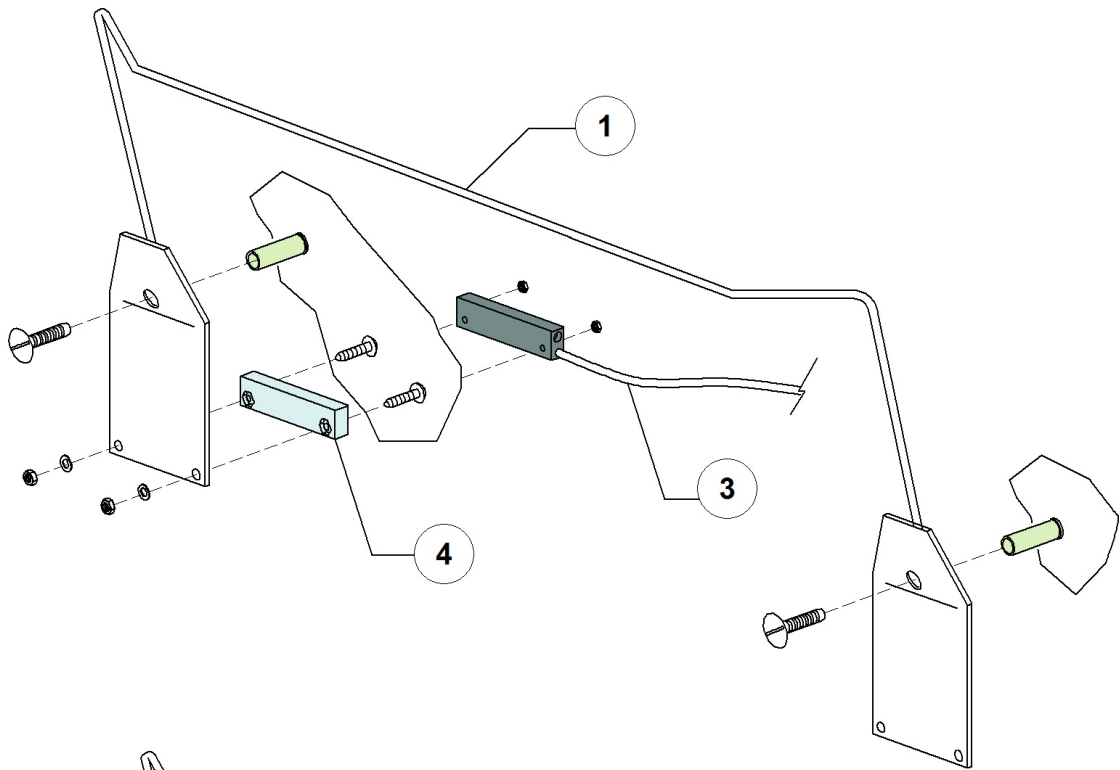
RX101E DX HR5 380-400/3N/50Hz B316 - DWU1003511 - Gruppo traino - DW200E



RX101E DX HR5 380-400/3N/50Hz B316 - DWU1003511 - Gruppo traino - DW200E

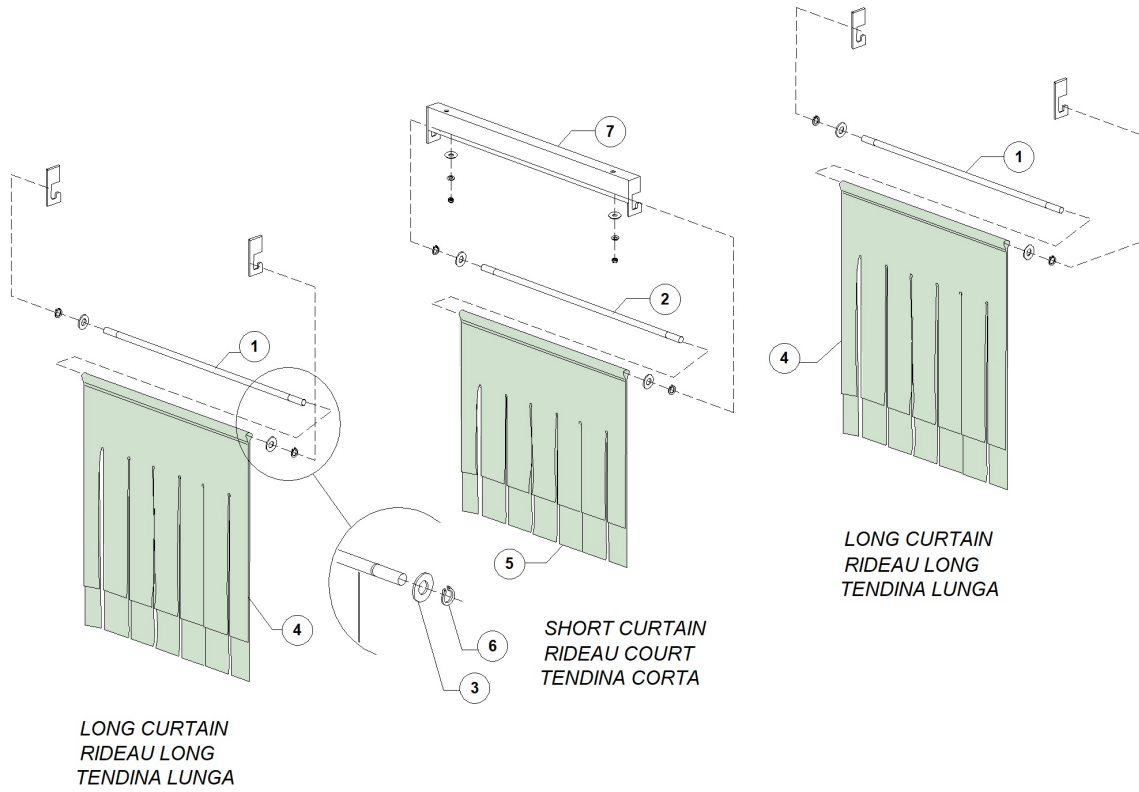
Pos.	Codice	Descrizione	Description
1	DW11109	VITE INOX M10x20 TE DIN933	M10X20 TE S/S SCREW DIN933
2	DW11185	RONDELLA 8X16 PIANA INOX DIN125	8X16 S/S PLANE WASHER DIN125
3	DW11192	RONDELLA GROWER M10 INOX DIN 127B	M10 S/S GROWER WASHER DIN127B
4	DW11719	DADO M10 INOX DIN 934	S/S NUT M10 DIN934
5	DW3003024	RONDELLA CARRELLO 19X12X1 PTFE	WASHER 19X12X1 PTFE
6	DW3003025	BOCCOLA DIST. CARRELLO 11,7X10X6 IN	SPACER FOR CARRIAGE 11,7X10X6
7	DW3003026	BOCCOLA RULLINO DIST. CARRELLO DELR	SPACER FOR CARRIAGE
8	DW3003100	SALTARELLO INOX DX	RIGHT S/S PAWL
9	DW3003101	SALTARELLO INOX SX	LEFT S/S PAWL
10	DW3003010	ASSE TRAVERSO PER CARRELLO	CARRIAGE SPACING AXLE
11	DW391014	OMEGA GUIDA ECCENTRICO TYPE 91-92 (N)	GUIDE
12	DW391178	PIEG. TELAIO CARRELLO 884 RX	FRAME 884 RX

RX101E DX HR5 380-400/3N/50Hz B316 - DWU1003511 - Economizzatori - DW200E



RX101E DX HR5 380-400/3N/50Hz B316 - DWU1003511 - Economizzatori - DW200E

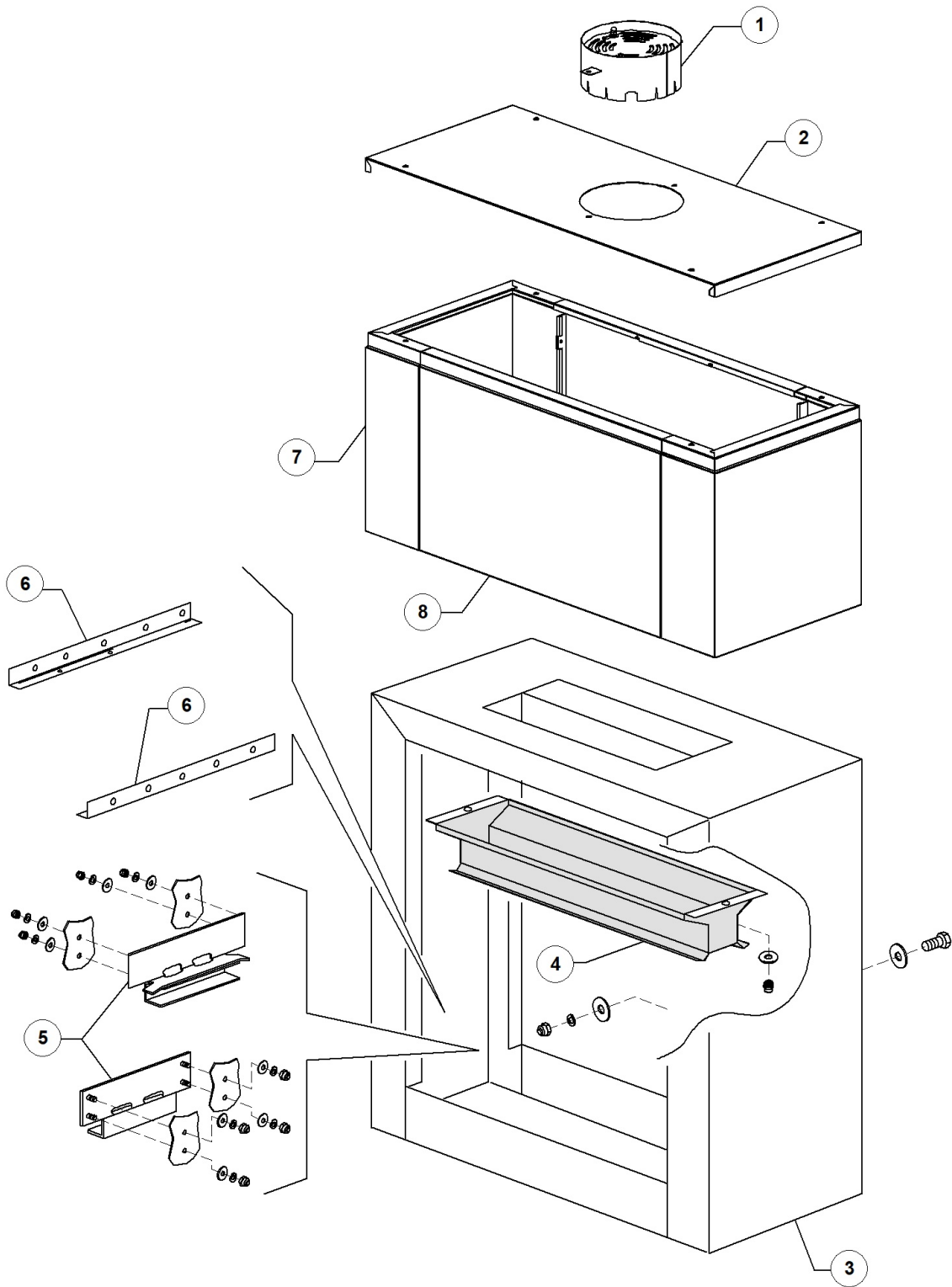
Pos.	Codice	Descrizione	Description
1	DW391044	ECONOMIZZATORE LAVAGGIO TYPE 91	WASH ECONOMIZER TYPE 91
2	DW391047	ECONOMIZZATORE RISCIAQUO TYPE 91-92	RINSE ECONOMIZER TYPE 91/92
3	DW10778	MICROCONTATTO MAGNETICO REED	DOOR MICROSWITCH
4	DW391046	MAGNETE M303NCCANE32 ECON. TYPE 91-92	MAGNETIC UNIT



RX101E DX HR5 380-400/3N/50Hz B316 - DWU1003511 - Tendine - DW200E

Pos.	Codice	Descrizione	Description
1	DW3004052	ASTA SOSTEGNO PER TENDA INTERNA	INNER CURTAIN ROD
2	DW391038	ASTA SOST. PER TENDA INT. TYPE 91-92	INNER CURTAIN ROD
3	DW11185	RONDELLA 8X16 PIANA INOX DIN125	8X16 S/S PLANE WASHER DIN125
4	DW3071072	TENDINA INTERNA RX	INTERNAL CURTAIN
5	DW391037	TENDINA PAR. INTERNA CORTA TYPE 91-92	INNER SHORT CURTAIN TYPE 91-92
6	DW11815	SEEGER DIAM.8 INOX UNI7435	SNAP RING D.8 S/S
7	DW391036	#PIEG. SUPP. TENDINA DX/SX TYPE 91-92	

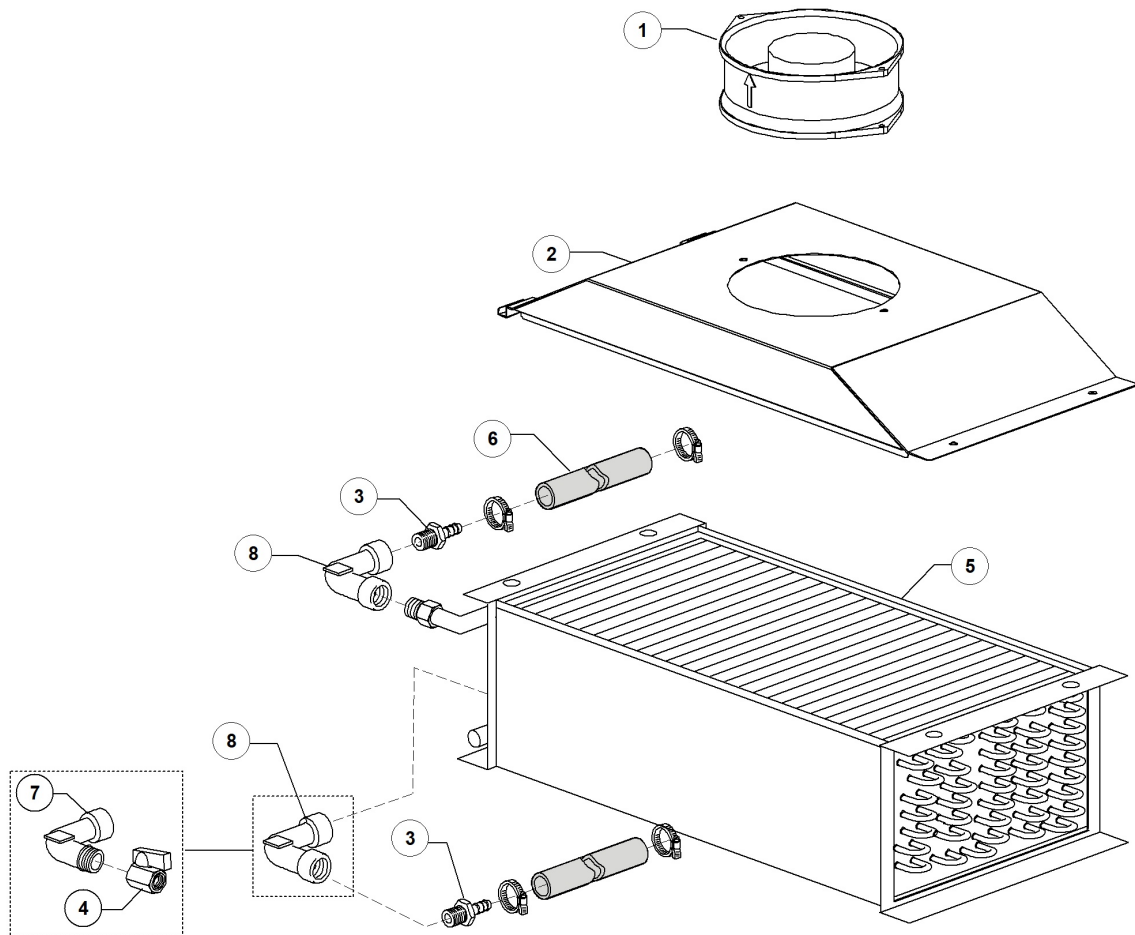
RX101E DX HR5 380-400/3N/50Hz B316 - DWU1003511 - Paraspruzzi L=300 - DW200E



RX101E DX HR5 380-400/3N/50Hz B316 - DWU1003511 - Paraspruzzi L=300 - DW200E

Pos.	Codice	Descrizione	Description
1	DW3071115	AS CAMINO HR10 RX	CHIMNEY ASSEMBLY FOR HEAT RECOVERY
2	DW3070307	COPERCHIO RECUP LAVAVAS 2016/HR5	HEAT RECOVERY COVER
3	DW392030	ASSIEME PARASPRUZ CONDENSA VAPORI (N)	
4	DW3009543	GRUPPO ASPIRAZIONE LC81	SUCTION ASSEMBLY
5	DW392029	ASS. GUIDACESTO PAR. CONDENSA VAPORI	STEAM CONDEN.SPLASH GUARD BASKET GUIDE
6	DW391180	PIEG TELAIO CARRELLO 302 RX	MOBILE FRAME 302 RX
7	DW3070305	CARTER HR5 LAVAVASSOI-COMPACT 2016	HEAT RECOVERY EXTERNAL FRAME
8	DW3070306	PIEG. PORTA REC LAVAVASSOI 2016-HR5	

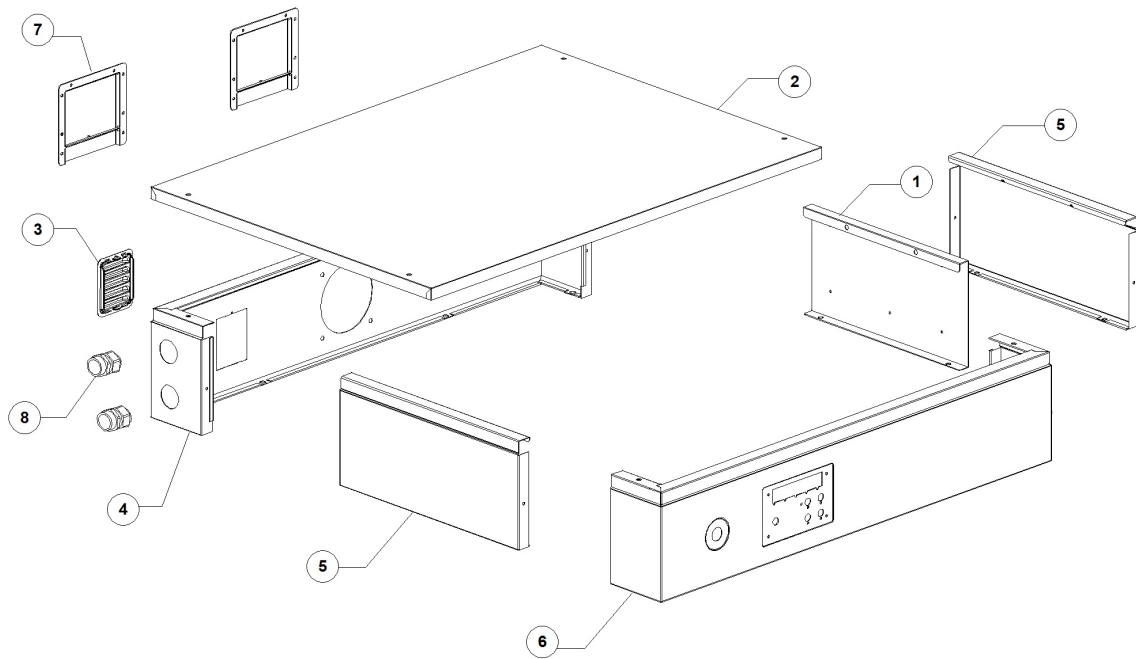
RX101E DX HR5 380-400/3N/50Hz B316 - DWU1003511 - Condensa vapori / Recuperatore termico - DW200E



RX101E DX HR5 380-400/3N/50Hz B316 - DWU1003511 - Condensa vapori / Recuperatore termico - DW200E

Pos.	Codice	Descrizione	Description
1	DW11600715	MOTOVENTIL. 230 V/50-60 HZ TRAINO	CENTRIFUGAL FAN 230V 50/60HZ
2	DW3070259	PIEG BASE SUPPORTO VENT HR10-HR5-SC10 RX	STEAM CONDEN./HEAT RECOVERY FAN SUPPORT
3	DW3071299	PORTAGOMMA M 1/2 DIAM 12 PG260 INOX	S/S HOSE CONNECTOR 10 M1/2 PG260
5	DW3000155	BATTERIA TRAINO CONDENSA VAPORI LC	STEAM CONDENSER COIL LC
6	DW2907350	TUBO GOMMA EPDM 12X20	12X20 EPDM RUBBER PIPE
8	DW3071188	"RACCORDO INOX GOMITO F/F 1/2""	"S/S UNION ELBOW 1/2" F-F"

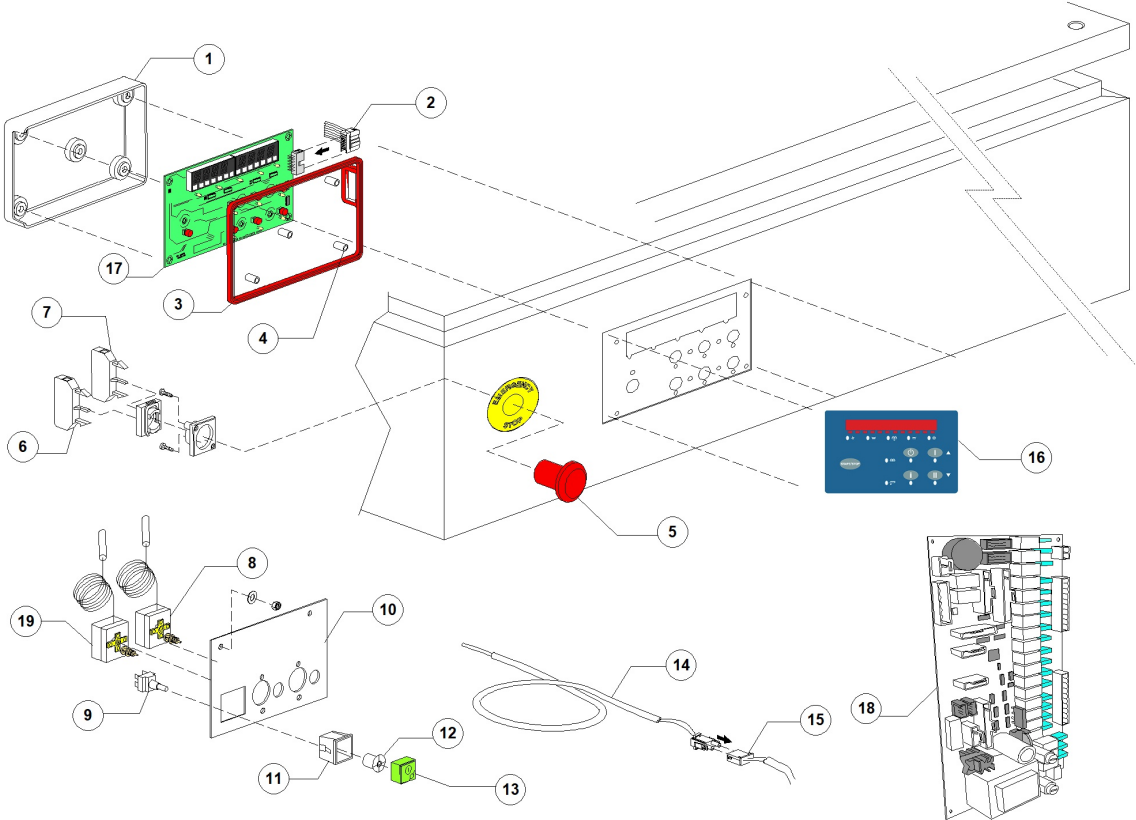
RX101E DX HR5 380-400/3N/50Hz B316 - DWU1003511 - Pannello - DW200E



RX101E DX HR5 380-400/3N/50Hz B316 - DWU1003511 - Pannello - DW200E

Pos.	Codice	Descrizione	Description
1	DW391122	PIEG. PIASTRA SCHEDA J104 TRAINETTO/2016	MAINBOARD SUPPORT PLATE
2	DW3070242	COPERCHIO QUADRO 850 RX EVO-COMPACT	
3	DW25046	TAPPO CON GELOSIE	VENTILATION GRID
4	DW391118	PIEG. CARTER POST. QUADRO/2016	
5	DW391120	PIEG. PORTA QUADRO/2016	
6	DW391116	PIEG. CARTER ANT. QUADRO NEUTRO/2016	
7	DW3071286	CARTER PER IPX4 /IPX5 ESTERNO	EXTERNAL PROTECTION IPX4/IPX5
8	DW80419	PRESSACAVO PG29 OBO	CABLE FITTING PG29 OBO

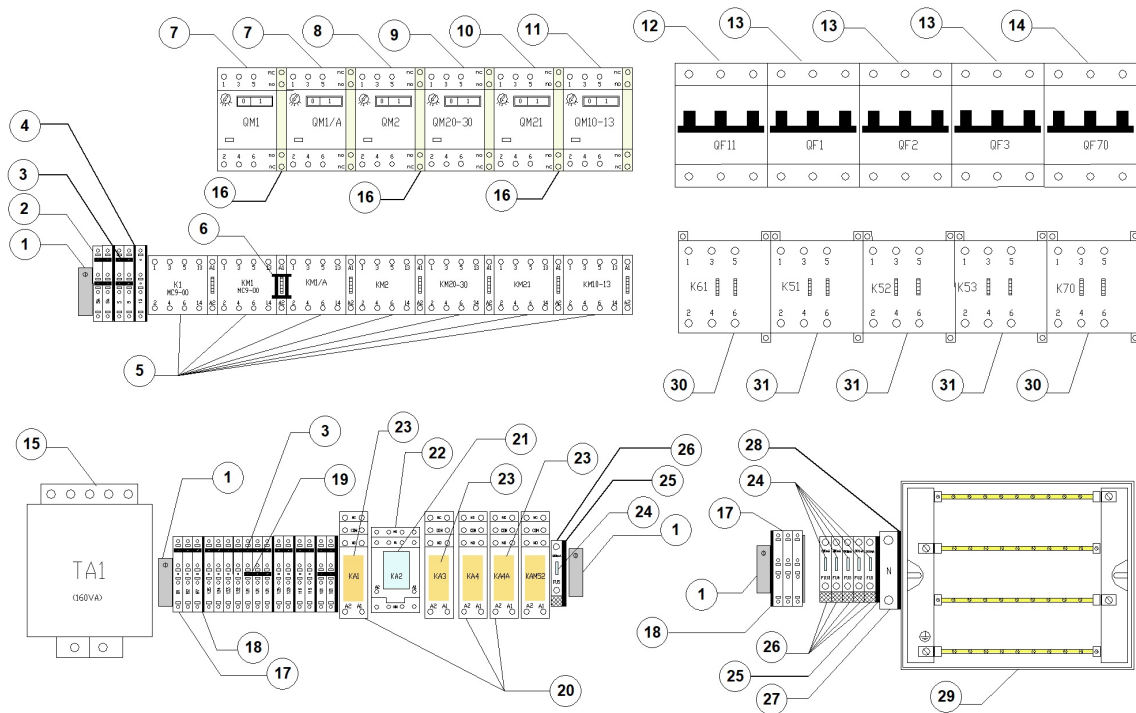
RX101E DX HR5 380-400/3N/50Hz B316 - DWU1003511 - Pannello comandi - DW200E



RX101E DX HR5 380-400/3N/50Hz B316 - DWU1003511 - Pannello comandi - DW200E

Pos.	Codice	Descrizione	Description
1	DW11600931/A	SCAT.PROT. SCHEDA 11600931 (145X89X19)	ELECTRONIC BOARD PROTECTION BOX 11600931
2	DW50651	"PIATTINA MULTIFILO "F16p" L1000"	RIBBON CABLE F16p L1000
3	DW11600931/B	GUARNIZIONE PER SCATOLA 11600931/A	PROTECTION BOX GASKET DW11600931/A
4	DW50561	DIST. SCHEDE ELETTR. 2009 D.8X10	MAINBOARD SPACER D.8X10
5	DW3002050	PULS.FUNGO D.35 OP.SBLOC.ROT. 30A3	EMERGENCY BUTTON
6	DW3002056	CONTATTO 1NC RET. 31A5	CONTACT 1NC
7	DW3002054	CONTATTO 1NA	CONTACT 1NA
8	DW2000430	TERMOSTATO DI SICUR. 110 1500PVC	SAFETY THERMOSTAT 110 1500PVC
9	DW15812	FRUTTO INTERRUTTORE 16A	16A SWITCH
10	DW391010	STAFFA PORTA TERMOSTATI TYPE 91-92	THERMOSTAT SUPPORT
11	DW15815	SUPPORTO QUADRO SQ1 SINGOLO GRIGIO	SQUARE GREY SINGLE SUPPORT SQ1
12	DW15824	CAMMA VERDE-ARANCIO	GREEN-ORANGE CAM ROLL
13	DW15874	TASTO Q6 VERDE SERIG.ON-OFF	GREEN ON/OFF KEY Q6
14	DW3006165	SONDA TERMOSTATO SCHEDA TUNNEL	THERMOSTAT PROBE
15	DW3006170	PROLUNGA SONDA TERM. SCHEDA TUNNEL	THERMOSTAT PROBE EXTENSION
16	DW3071341	MOTORE 6P 230V3 50/60Hz INVERTER	CONVEYOR MOTOR 6P 230V3 50HZ INVERTER
16	DW391090	MOSTRINA DIHR COMPACT - EVO/UP	DIHR ADHESIVE SILKSCREEN COMPACT- EVO/UP
17	DW11600931	TASTIERA SCORREVOLE 2009	SOFT TOUCH CONTROL PANEL 2009
18	DW3072148/B	SCHEDA MADRE RX EVO (BL) REV 2022	MAINBOARD RX EVO (BL) REV 2022
19	DW3072158	TERMOSTATO DI SICUR. 90 1500PVC	SAFETY THERMOSTAT 90 1500PVC

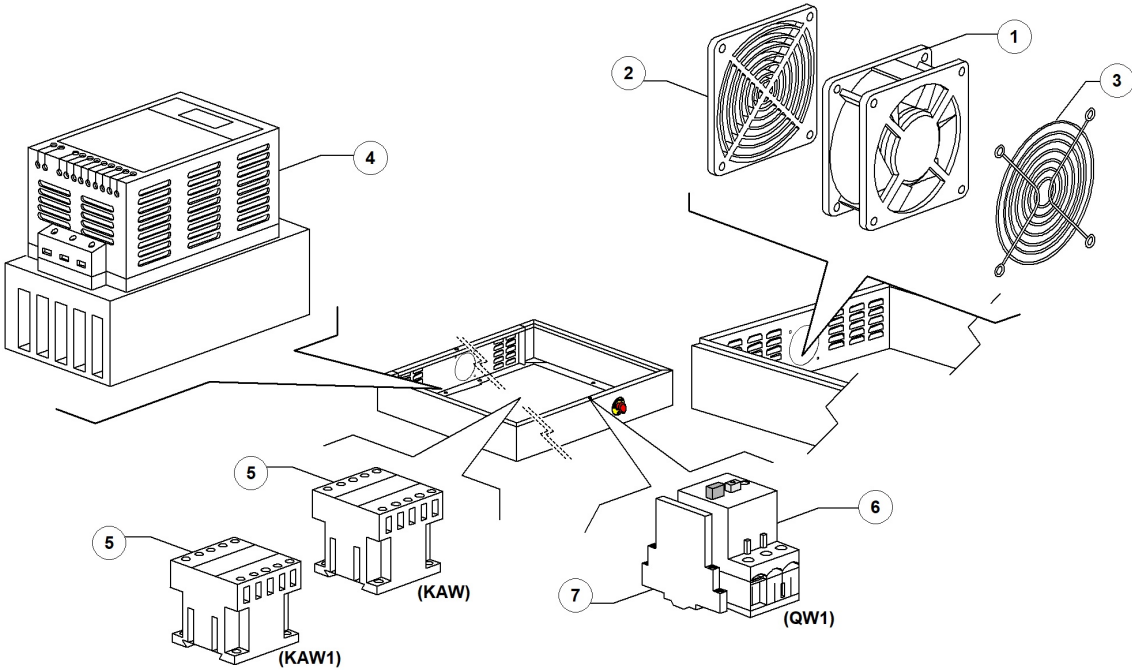
RX101E DX HR5 380-400/3N/50Hz B316 - DWU1003511 - Componenti elettrici - DW200E



RX101E DX HR5 380-400/3N/50Hz B316 - DWU1003511 - Componenti elettrici - DW200E

Pos.	Codice	Descrizione	Description
1	DW3006093	FERMO PER GUIDA DIN	DIN RAIL RETAINER
2	DW3071122	MORSETTO 2.5mm DOPPIO A MOLLA (ZDK 2.5)	TERMINAL 2,5mmq DOUBLE
3	DW3071124	PONTE DI COLLEGAMENTO PER MORS. A (ZQV)	JUMPER FOR TERMINAL BOARD
4	DW3071123	PIASTRINA TERMINALE PER MORSETTO (ZAP/TW)	TERMINAL STOP PLATE
5	DW2000370	TELERUTTORE 9A/16A 24V 50/60Hz	CONTACTOR 9A/16A 24V 50/60Hz
7	DW2000389	INT.SALVAMOTORE MAGNETOTERM.0,63-1A	CIRCUIT BREAKER 0,63-1A
8	DW2000393	INT.SALVAMOTORE MAGNETOT.1,6-2,5A	CIRCUIT BREAKER 1,6-2,5A
9	DW2000389	INT.SALVAMOTORE MAGNETOTERM.0,63-1A	CIRCUIT BREAKER 0,63-1A
10	DW2000389	INT.SALVAMOTORE MAGNETOTERM.0,63-1A	CIRCUIT BREAKER 0,63-1A
10	DW2000393	INT.SALVAMOTORE MAGNETOT.1,6-2,5A	CIRCUIT BREAKER 1,6-2,5A
11	DW2000393	INT.SALVAMOTORE MAGNETOT.1,6-2,5A	CIRCUIT BREAKER 1,6-2,5A
12	DW2000403	INT. MAGNETOTERMICO TRIPOLARE 20A	THREE-POLE CIRCUIT BREAKER 20A
14	DW2000407	INT. MAGNETOTERMICO TRIPOLARE 16A	THREE-POLE CIRCUIT BREAKER 16A
15	DW3006060	TRASF.160VA 0-230-400-415-440/0-24V	TRANSFORMER160VA 0-230-400-415-440/0-24V
16	DW3006080	CONTATTO AUX. LMS25 11LMH11 1NA+1NC	AUXILIARY CONTACT LMS25 11LMH11 1NA-1NC
17	DW3071122	MORSETTO 2.5mm DOPPIO A MOLLA (ZDK 2.5)	TERMINAL 2,5mmq DOUBLE
18	DW3071123	PIASTRINA TERMINALE PER MORSETTO (ZAP/TW)	TERMINAL STOP PLATE
19	DW3071124	PONTE DI COLLEGAMENTO PER MORS. A (ZQV)	JUMPER FOR TERMINAL BOARD
20	DW3006079	ZOCCOLO X RELE'MODUL.2C/24V	BASE FOR RELAY 2C/24V
21	DW3071140	RELE' MODUL. 4C/DEV. 24V 7A	
22	DW3071141	ZOCCOLO X RELE'MODUL.4C/24V 10A	
23	DW3006078	RELE' MODUL. 2C/DEV. 24V	MODULAR RELAY 2C/DEV. 24V
24	DW15163	FUSIBILE 5X20 1A	5X20 1A FUSE
24	DW15174	FUSIBILE 5X20 6.3A RITARDATO	
24	DW3006097	FUSIBILE 10X38 25A	10X38 25A FUSE
25	DW3006144	PIASTRINA CHIUSURA X PORTAFUSIBILE	TERMINAL STK1 END PLATE
26	DW3006147	MORSETTO PORTAFUSIBILI 5x20 (5x25)	FUSE CARRIER
27	DW3006156	MORSETTO NEUTRO 35mmq BLU	
29	DW3006180	MORSETTIERA ALIM. PORTAF. 2 POLI 10x38	
29	DW3071168	MORSETTIERA RX 44X80X137 125A	TERMINAL BOARD 44X80X137 125A
30	DW2000385	TELERUTTORE 36A/20A 24V 50/60Hz	CONTACTOR 36A/20A 24V 50/60Hz
31	DW2000385	TELERUTTORE 36A/20A 24V 50/60Hz	CONTACTOR 36A/20A 24V 50/60Hz

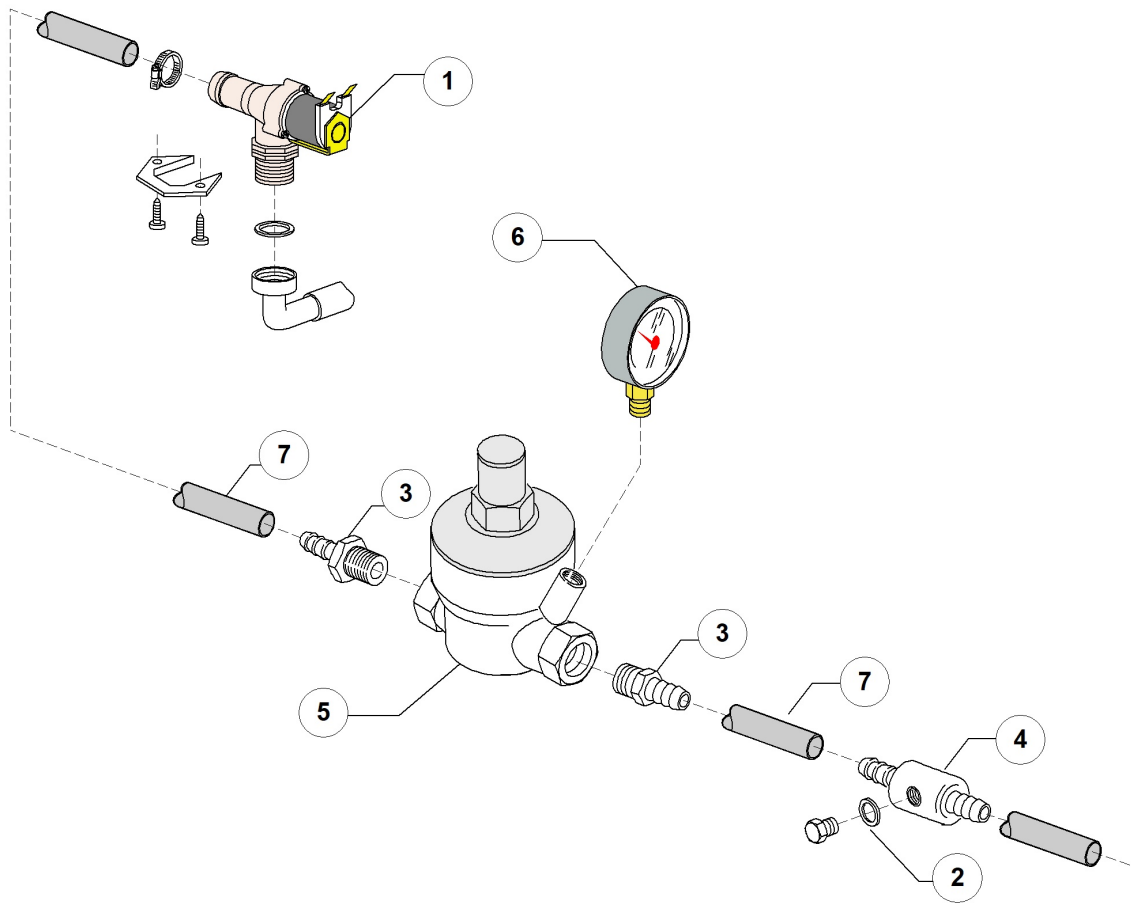
RX101E DX HR5 380-400/3N/50Hz B316 - DWU1003511 - Variatore di velocità - DW200E



RX101E DX HR5 380-400/3N/50Hz B316 - DWU1003511 - Variatore di velocità - DW200E

Pos.	Codice	Descrizione	Description
1	DW3000118	VENTOLA 120X38 220VAC PER INVERTER	IMPELLER FAN 120X38 220VAC FOR INVERTER
2	DW3000118/A	FILTRO PLAST INVERTER 120X120	INVERTER PLASTIC FILTER 120X120
3	DW3000118/B	GRIGLIA PROTEZ.INVERTER 120MM	INVERTER PROTECTION GRID 120MM
4	DW3000117	INVERTER MONOFASE 240V 0,55 KW	INVERTER 240V 0,55KW
5	DW2000370	TELERUTTORE 9A/16A 24V 50/60Hz	CONTACTOR 9A/16A 24V 50/60Hz
6	DW2000393	INT.SALVAMOTORE MAGNETOT.1,6-2,5A	CIRCUIT BREAKER 1,6-2,5A
7	DW3006080	CONTATTO AUX. LMS25 11LMH11 1NA+1NC	AUXILIARY CONTACT LMS25 11LMH11 1NA-1NC

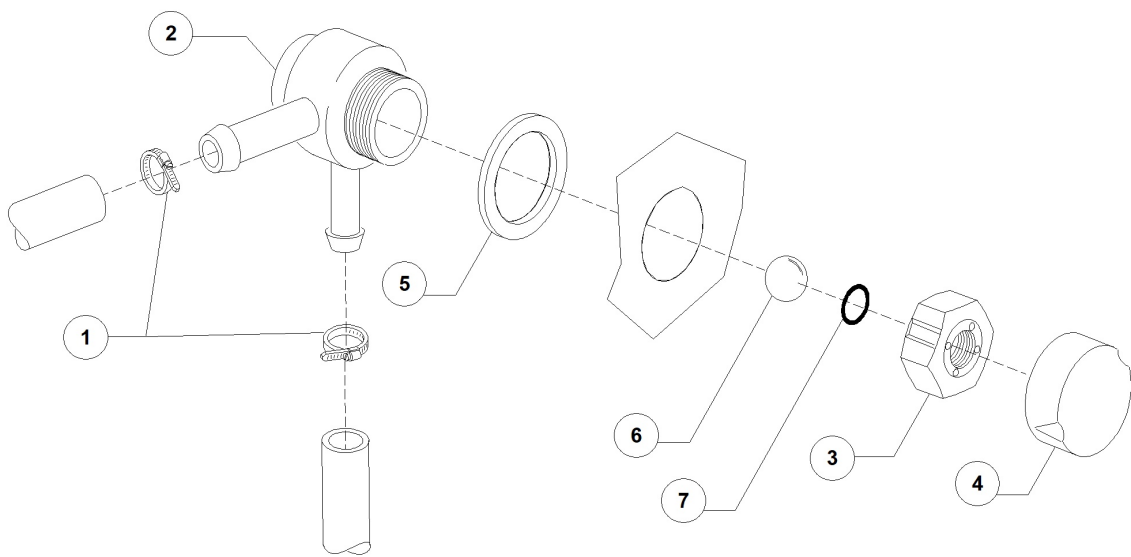
RX101E DX HR5 380-400/3N/50Hz B316 - DWU1003511 - Valvola di carico - DW200E



RX101E DX HR5 380-400/3N/50Hz B316 - DWU1003511 - Valvola di carico - DW200E

Pos.	Codice	Descrizione	Description
1	DW2000093	"ELETTROV. 3/4" - D.14 90° 24V SINGOLA"	"SINGLE SOLENOID VALVE 3/4" D.14 24V 90°"
2	DW13309	GUARNIZIONE DIAM.10x14x1,5	GASKET D.10X14X1,5
3	DW3071299	PORTAGOMMA M 1/2 DIAM 12 PG260 INOX	S/S HOSE CONNECTOR 10 M1/2 PG260
4	DW3003906/A	DERIV. A T ENTR. BRILL. SENZA TAPPO	"T-PIECE W/PLUG 1/8"
5	DW391025	RIDUT. DI PRESS. MINIBRASS 106.G	PRESSURE REDUCER
6	DW2000244	"MANOMETRO RIDUTTORE PRESS. 1/4"CONIC"	"PRESSURE REDUCTION GAUGE 1/4"
7	DW2907350	TUBO GOMMA EPDM 12X20	12X20 EPDM RUBBER PIPE

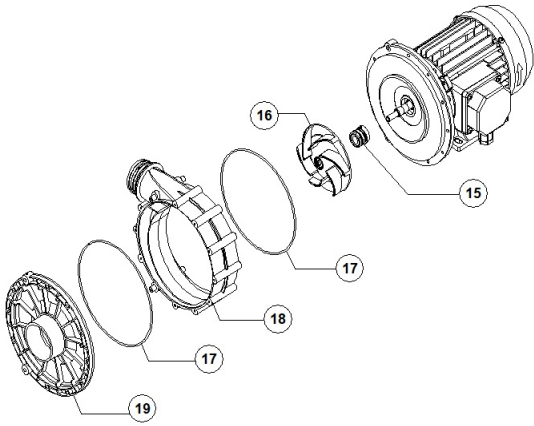
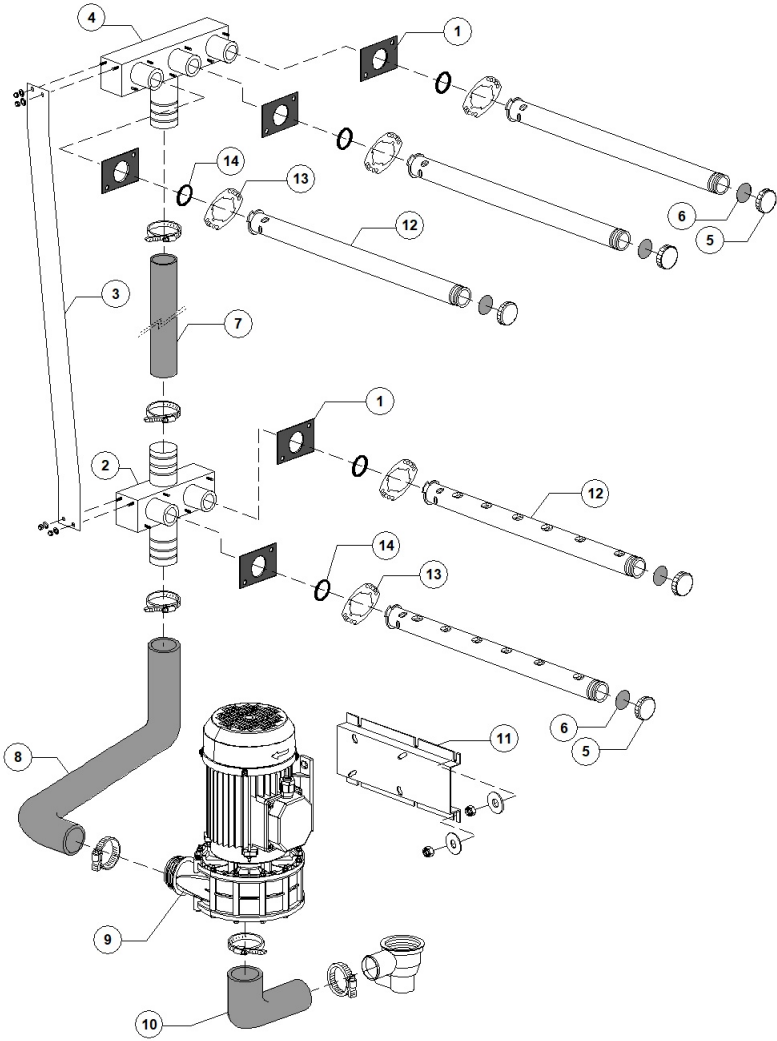
RX101E DX HR5 380-400/3N/50Hz B316 - DWU1003511 - Valvola DVGW - DW200E



RX101E DX HR5 380-400/3N/50Hz B316 - DWU1003511 - Valvola DVGW - DW200E

Pos.	Codice	Descrizione	Description
1	DW11807	FASCETTE AISI 430 12/22	CLAMP 12/22 AISI 430
2	DW15280	CORPO CENTRALE VALVOLA DVGW 07	DRAIN VALVE CENTER BODY
3	DW15281	DADO VALVOLA DVGW 07	VALVE NUT
4	DW15282	COPRI DADO VALVOLA DVGW 07	VALVE NUT COVER
5	DW15283	GUARNIZIONE VALVOLA DVGW 07	VALVE GASKET
6	DW15284	"SFERA 5/8" VALVOLA DVGW 07"	"5/8" BALL FOR DVGW VALVE 07"
7	DW15285	GUARNIZIONE OR 115 KTW VALVOLA DVGW 07	O-RING 115 KTW

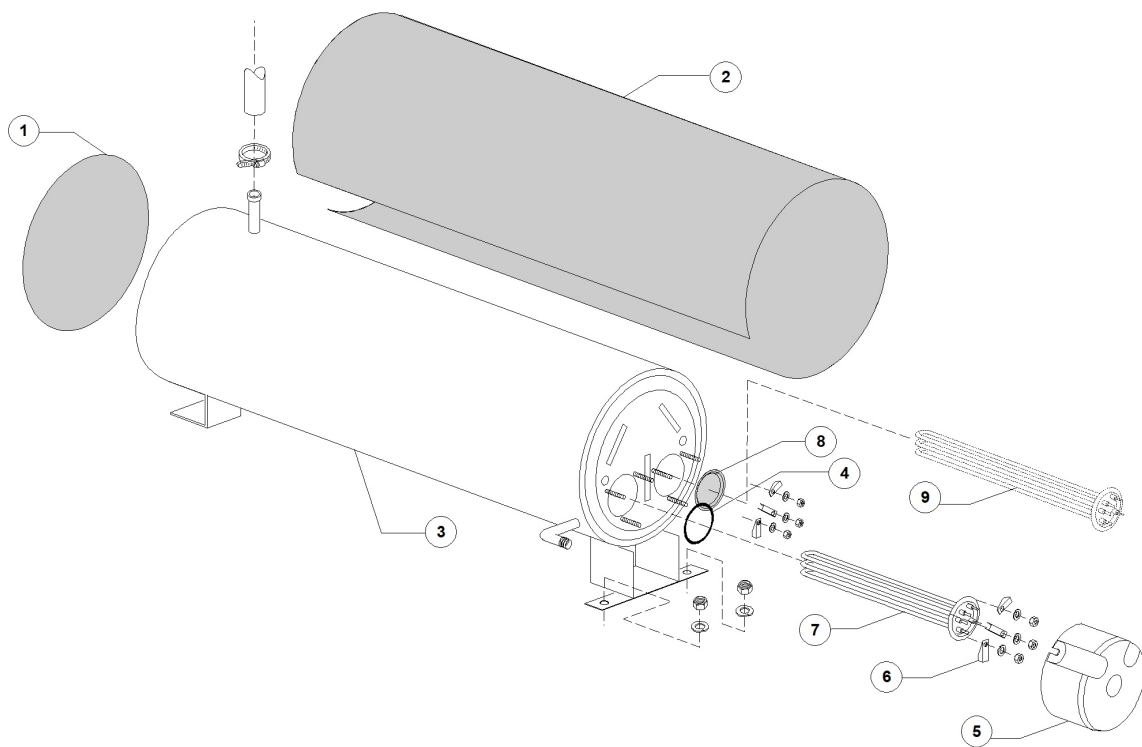
RX101E DX HR5 380-400/3N/50Hz B316 - DWU1003511 - Gruppo pompa - DW200E



RX101E DX HR5 380-400/3N/50Hz B316 - DWU1003511 - Gruppo pompa - DW200E

Pos.	Codice	Descrizione	Description
1	DW391029	GUARNIZIONE DISTRIBUTORE TYPE 91-92	SPRAY ARMS RACK/RISER GASKET
2	DW391028	GRUPPO LAVAGGIO INF 2BRACCI TYPE 91-92	2 ARMS LOWER WASH ASSEMBLY TYPE 91/92
3	DW391042	PIATTO RINF. DISTRIB. LAV. TYPE 91-92	WATER FLOW BACK REINFORCEMENT
4	DW391027	GRUPPO LAVAGGIO SUP 3BRACCI TYPE 91-92	3 ARMS UPPER WASH ASSEMBLY TYPE 91/92
5	DW80304	TAPPO PER UGELLO TERMINALE GRIGIO	GREY WASH ARM PLUG
6	DW80305	GUARNIZIONE PER TAPPO TUBO GIRANTE	ARM PLUG GASKET
7	DW3060212	MANICOTTO RADIO D42	PIPE COUPLING D.42
8	DW391154	MANICOTTO MANDATA LAV TYPE 91 (Hp1,2)	WASH DELIVERY PIPE COUPLING
9	DW3000082	POMPA HP1.2 2241 220/380/50	PUMP HP1.2 220/380V3/50HZ
10	DW11600100	MANICOTTO ASPIRAZIONE G12/03	SUCTION PIPE COUPLING
11	DW11600623	STAFFA SUPPORTO POMPA G12	PUMP SUPPORT G12
12	DW391031	BRACCIO LAVAGGIO TYPE 91-92	WASH ARM TYPE 91/92
13	DW3060182	CAMMA AGGANCIAMENTO BAIONETTA NASTRO	ARM CONNECTION FLANGE
14	DW392050	GUA.OR 3X31 NBR 70SH RIF. 0310	O RING 3X31 NBR 70SH RIF. 0310
15	DW15080/C	"#PREMISTOPPA+CONTROF.POMPA "F" HP075"	ROTATING SEALS HP0,75
16	DW3000082/D	#GIRANTE D.108 DW3000082 (PLA_092)	PUMP ROTOR
17	DW88231	#GUARNIZIONE OR150 x 2.50 POMPA 88106/U	OR 1225 GASKET
18	DW3000082/B	#CHIOCCIOLA POMPA MEC71 (PLA_031)	
19	DW3000082/A	#FLAN. CHIOCCIOLA POMPA MEC71 (PLA_033)	

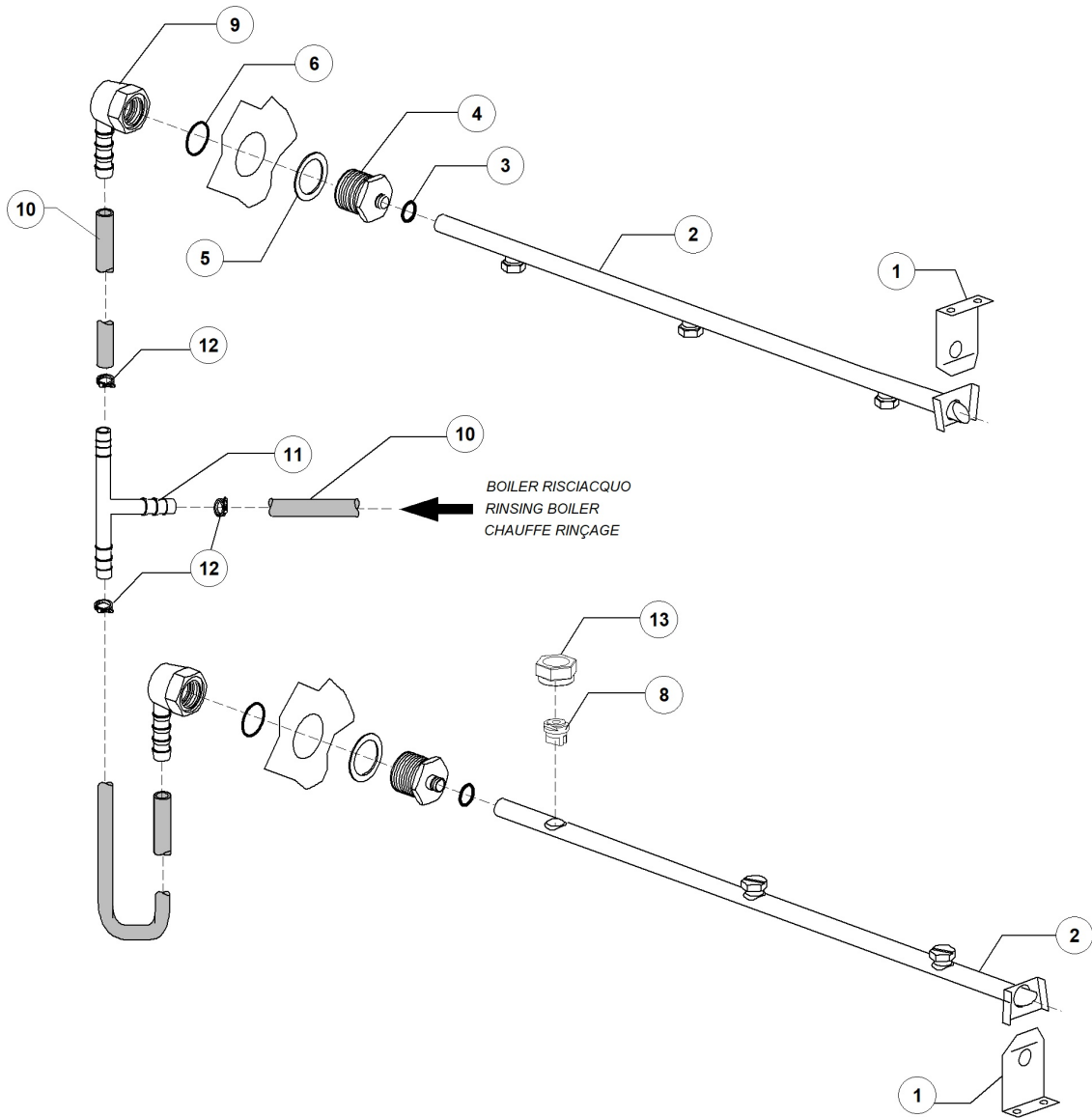
RX101E DX HR5 380-400/3N/50Hz B316 - DWU1003511 - Gruppo boiler - DW200E



RX101E DX HR5 380-400/3N/50Hz B316 - DWU1003511 - Gruppo boiler - DW200E

Pos.	Codice	Descrizione	Description
1	DW392006	DISCO IN ESPANS. D242 BOILER TYPE 92	INSULATING DISK D.242
2	DW3071291	COIBENTAZIONE BOILER D.155X500 TRA-NASTR	BOILER INSULATING D.155X500
2	DW392005	COIBENTAZIONE BOILER 2 RES TYPE 92	BOILER INSULATING TYPE92
3	DW391149	BOILER 2 RES TYPE 91-92 (AISI 316)	BOILER 2 H.E. TYPE 91-92 (AISI 316)
4	DW13015	GUARNIZIONE 6225 OR 160 NBR	6225 O-RING 160 NBR
5	DW75311	CUFFIOTTO PER RESISTENZA 26/03/97	HEATING ELEMENT COVER
6	DW16045	STAFFE FISSAGGIO RESIST.FORO 6.3	HEATING ELEMENT MOUNTING BRACKET D.6,3
7	DW30001010	RESIST.6000/6530W 230/240V 3	6000/6530W 230/240V 3 HEATING ELEM.
7	DW30001011	RESIST.9000/9800W 230/240V 3	9000/9800W 230/240V 3 HEATING ELEM.
9	DW30001010	RESIST.6000/6530W 230/240V 3	6000/6530W 230/240V 3 HEATING ELEM.
9	DW30001011	RESIST.9000/9800W 230/240V 3	9000/9800W 230/240V 3 HEATING ELEM.

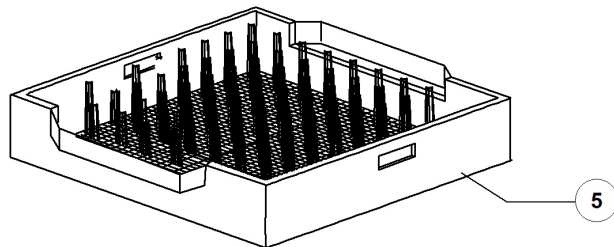
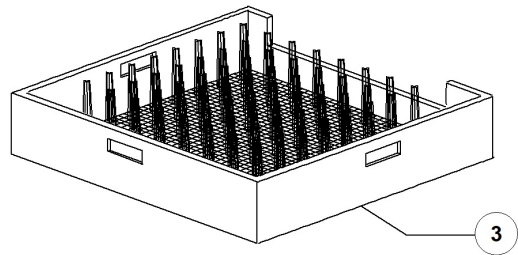
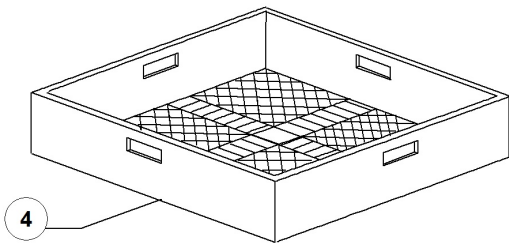
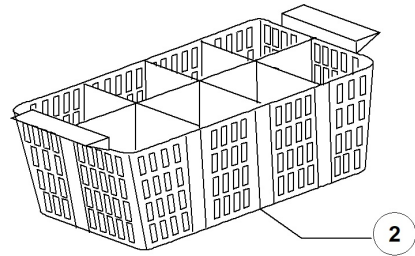
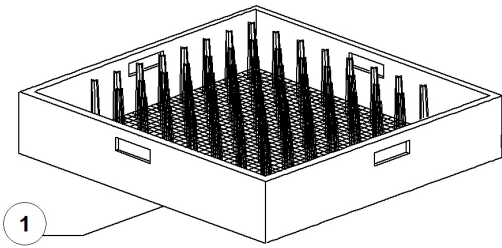
RX101E DX HR5 380-400/3N/50Hz B316 - DWU1003511 - Gruppo risciacquo - DW200E



RX101E DX HR5 380-400/3N/50Hz B316 - DWU1003511 - Gruppo risciacquo - DW200E

Pos.	Codice	Descrizione	Description
1	DW3071335	STAF SUP BRAC RISC. RX101-164 2021	RINSE ARM SUPPORT
2	DW3071334	BRACCIO RISCIAQUO RX101-164 2021	RINSE ARM TYPE 91/92
3	DW3003135	GUAR. OR 2043 D10,8 T1,78 (3003134)	
4	DW3003134	INNESTO G3/8-DIAM.14 SANITIZ. NASTRO	
5	DW3009387	RONDELLA GOMITO CARICO	LOADING ELBOW WASHER
6	DW3003130	GUARNIZIONE OR 123 NBR	O-RING 123 NBR
9	DW3003129	GOMITO PORTAGOMMA 12 - G3/8	ELBOW HOSE-CONNECTION 12 G3/8
9	DW391185	RAC GOMITO 3/8 - D12 INOX	S/S UNION TEE D.12
10	DW2907350	TUBO GOMMA EPDM 12X20	12X20 EPDM RUBBER PIPE
11	DW391173	RACCORDO A T D12 INOX	S/S UNION TEE D.12
12	DW11807	FASCETTE AISI 430 12/22	CLAMP 12/22 AISI 430
13	DW2200116	I-GHIERA 3/8F INOX	"S/S RING NUT 3/8" F"

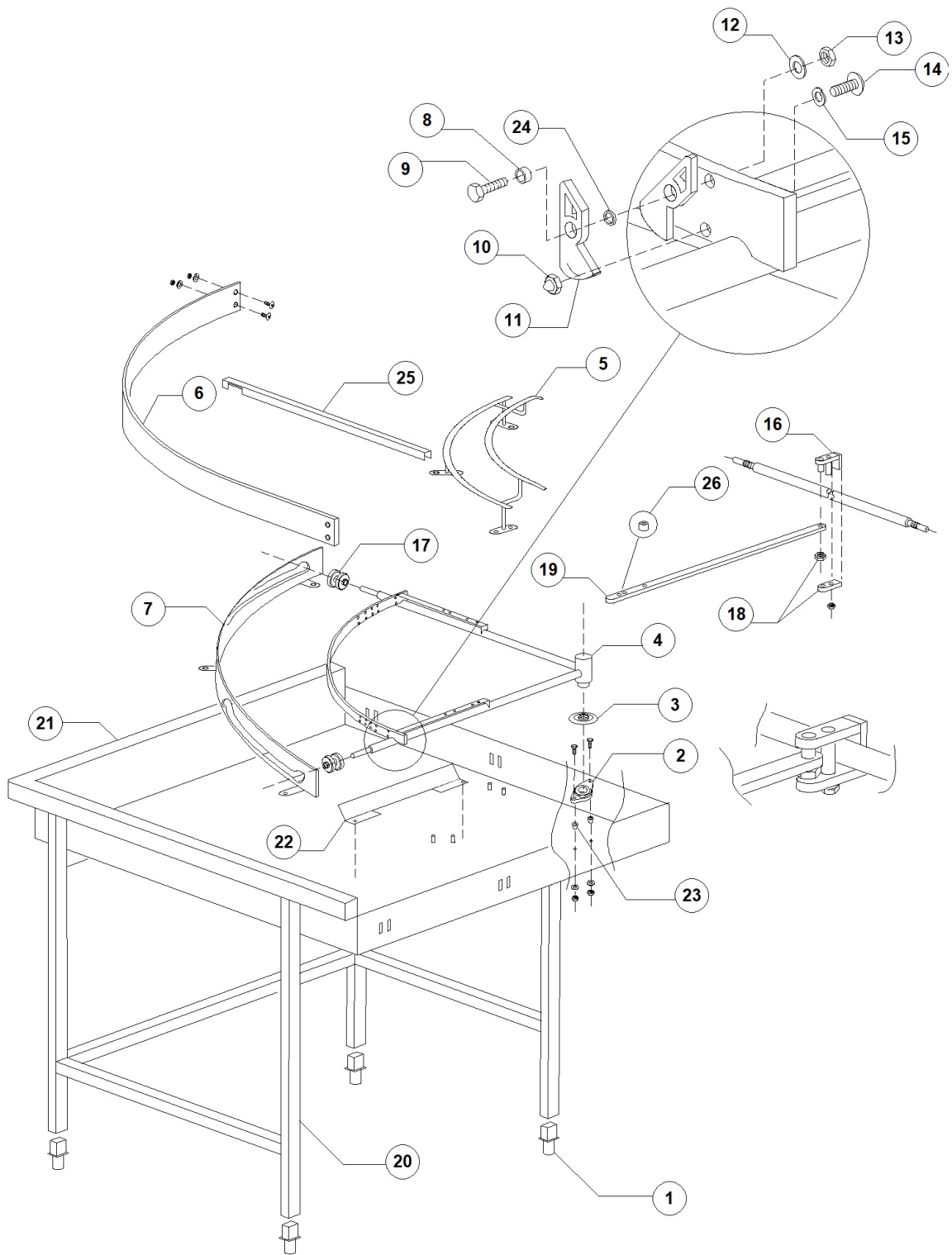
RX101E DX HR5 380-400/3N/50Hz B316 - DWU1003511 - Cesti - DW200E



RX101E DX HR5 380-400/3N/50Hz B316 - DWU1003511 - Cesti - DW200E

Pos.	Codice	Descrizione	Description
1	DWC40	CESTO PIATTI PLASTICA 50X50	PLASTIC PLATES BASKET 500X500
2	DWC47	CESTELLO POSATE 8 POSTI	CUTLERY BASKET 8 PLACES
3	DWC43	CESTO TRAINO VASSOI (LATO APERTO)	TRAYS BASKET (ONE SIDE OPEN)
4	DWC44	CESTO BICCHIERI MAGL.LARGA PLASTICA	500X500 LARGE MESH GLASS BASKET

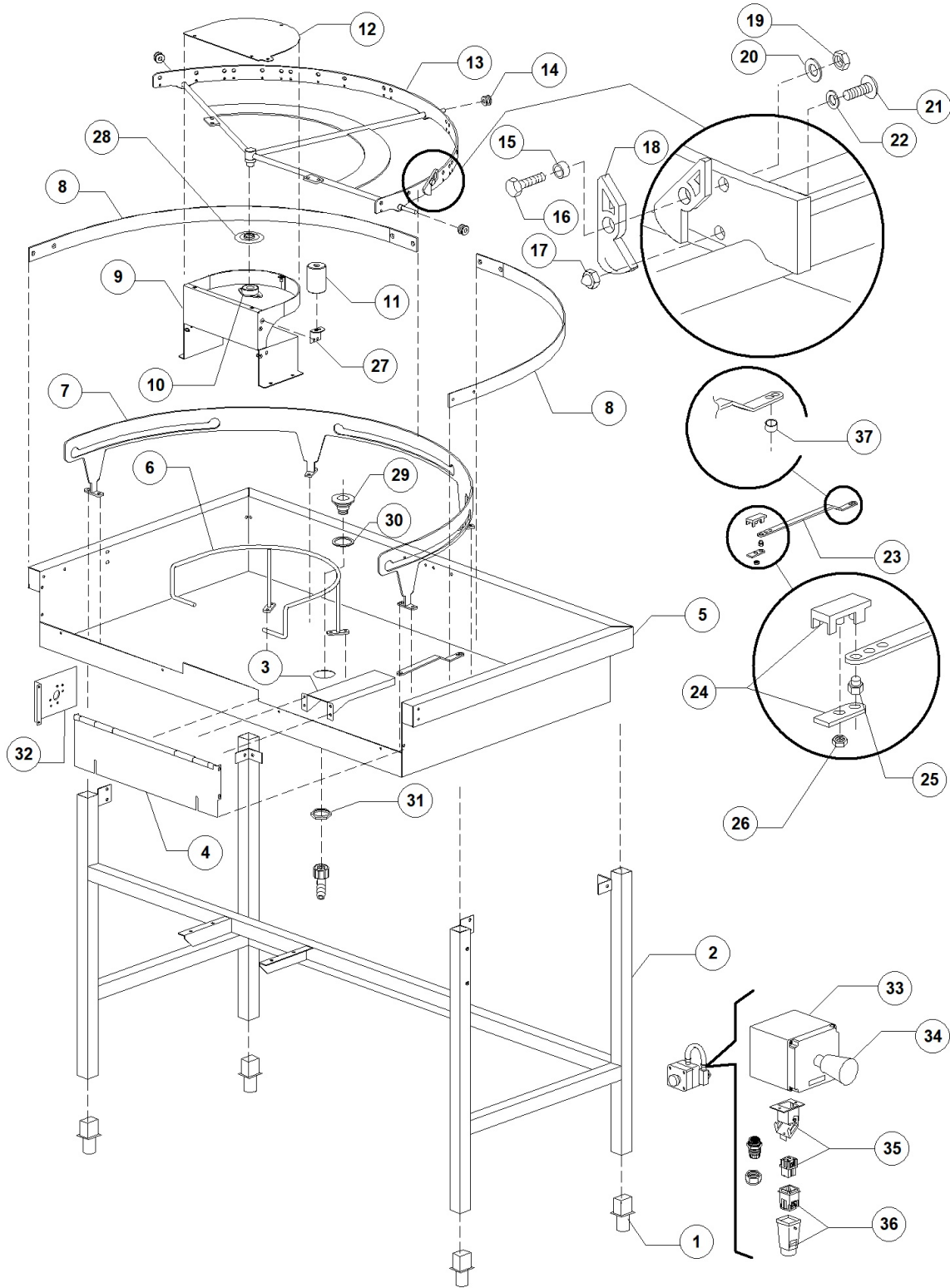
RX101E DX HR5 380-400/3N/50Hz B316 - DWU1003511 - Curva meccanizzata 90° - DW200E



RX101E DX HR5 380-400/3N/50Hz B316 - DWU1003511 - Curva meccanizzata 90° - DW200E

Pos.	Codice	Descrizione	Description
1	DW3000252	"PIEDINO INOX 1" PER TUBO 40X40X1"	"S/S 1" FOOT"
2	DW3000260	SUPP.FLANGIATO CATENA CURVA SFT20	FLANGE FOR CHAIN
3	DW3004161	DISCO ANTIGOCCIA PER ASSE MOTORIDUT	MOTOR GEAR SHAFT PROTECTION DISK
4	DW3063006	TRASPORTO CENTRALE C.MECC.90Â°	MECHANIZED ARC CENTRAL TRANSPORT 90Â°
5	DW3063002	TONDINO PORTACESTO INTERNO C.MECC. 90Â°	MECHANIZED ARC INNER SUPPORT BASKET 90Â°
6	DW3063003	GUIDACESTO EST. C.MECC. 90Â°	EXTERNAL MECH.ARC BASKET GUIDE 90Â°
7	DW3063005	PIATTO CALANDRATO C.MECC. 90Â°	MECHANIZED ARC 90Â° CENTRAL GUIDE ASSEM
8	DW3003060	DISTANZ. PER ARPIONE SU TAV. E CURVE MEC	PAWL SPACER
9	DW11128	VITE INOX M10X25 TE DIN933	M10X25 TE S/S SCREW
10	DW11707	DADO M5 CIECO CALOTTA SEMISF. A2 DIN1587	S/S CAP NUT M5 DIN1587
11	DW3063009	ARPIONE INOX C. MECC.	MECHANIZED ARC S/S PAWL
12	DW11192	RONDELLA GROWER M10 INOX DIN 127B	M10 S/S GROWER WASHER DIN127B
13	DW11719	DADO M10 INOX DIN 934	S/S NUT M10 DIN934
14	DW11197	VITE M5X10 TCB INOX DIN 7985	M5X10 TCB S/S SCREW DIN7985
15	DW11608	RONDELLA GROWER M5 INOX UNI1751 DIN127	M5 S/S GROWER WASHER UNI1751 DIN127
16	DW3063008	AGGANCIO ASSE MACCHINA	MACHINE AXLE COUPLING
17	DW3063007	RUOTA C.MECC. 90Â°	WHEEL FOR MECHANIZED ARC 90Â°
18	DW3063010	CONTRODADO AGG. ASSE CARELLO CUR. MECC.	AXLE MACHINE COUPLING LOCK NUT
19	DW3063004	BIELLA CONN. MACCHINA C.MECC. 90Â°	CONNECTION ROD FOR MECHANIZED ARC 90Â°
20	DW3063001	TELAIO CURVA MECCANIZZATA 90Â°	
21	DW3063000	PIANALE CURVA MECCANIZZATA 90Â°	MECHANIZED ARC 90Â° SURFACE
22	DW391080	SPONDINA RICIRC. ARIA ASCIUG. TYPE 91-92	S/S FLAP FOR AIR CIRCULATION
23	DW10600206	OGIVA IN NYLON D.8	SEAL WASHER D.8 NYLON
24	DW3003024	RONDELLA CARRELLO 19X12X1 PTFE	WASHER 19X12X1 PTFE
25	DW3063016	PROFILO DI CHIUSURA E PROTEZIONE	CLOSING AND PROTECTION SECTION
26	DW3003158	DISTANZIALE BIELLA CURVA MECC.	MECHANIZED ARC SPACER

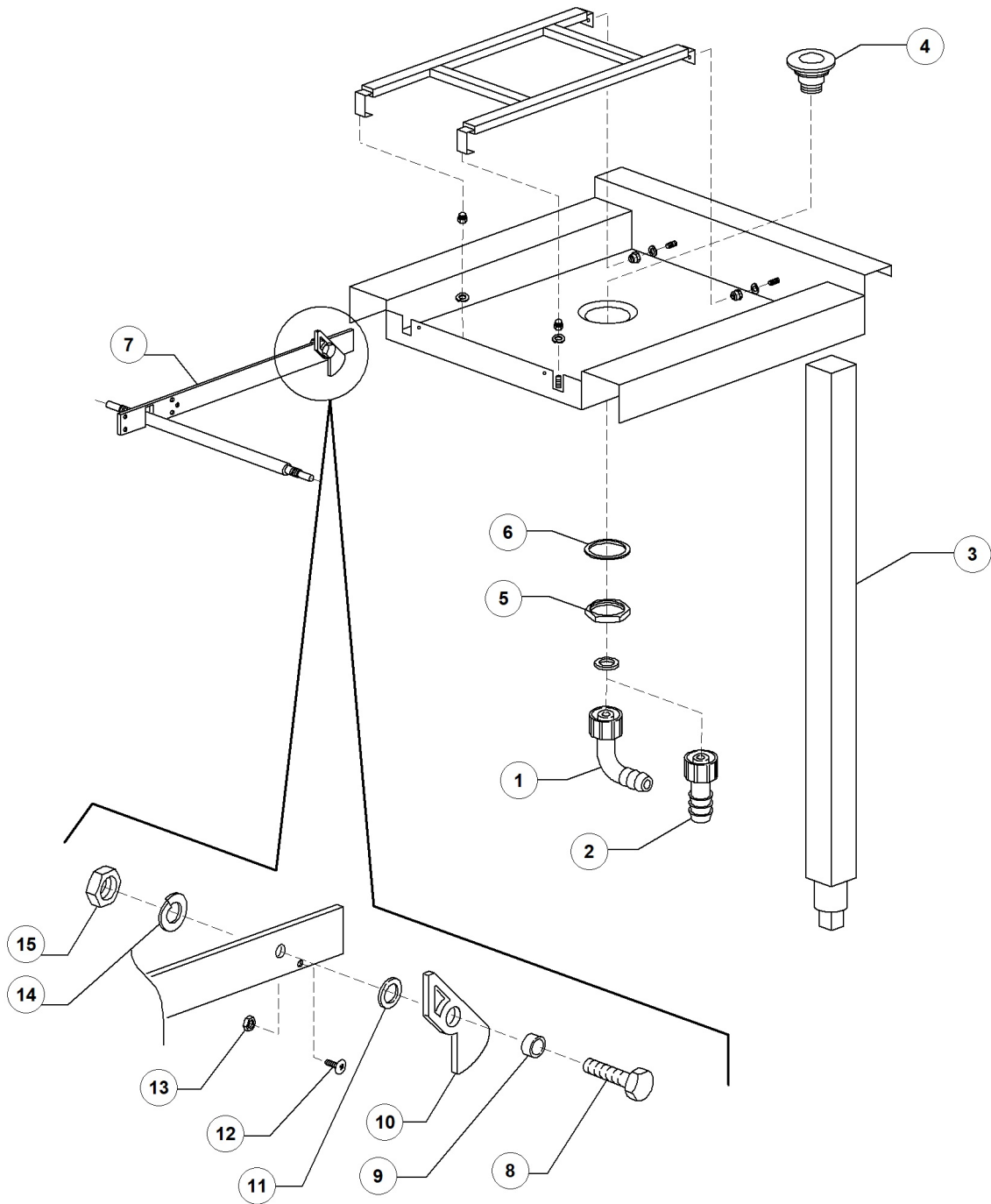
RX101E DX HR5 380-400/3N/50Hz B316 - DWU1003511 - Curva meccanizzata 180° - DW200E



RX101E DX HR5 380-400/3N/50Hz B316 - DWU1003511 - Curva meccanizzata 180° - DW200E

Pos.	Codice	Descrizione	Description
1	DW3000252	"PIEDINO INOX 1" PER TUBO 40X40X1"	"S/S 1" FOOT"
2	DW3003133	TELAIO CURVA MECCANIZZATA 180Â°	
3	DW3009717	CARTER DI PROTEZIONE	
4	DW3009718	SPONDINA. AGG. CURVA MEC. 180Â°	
5	DW3009714	VASCA PER CURVA MECCANIZZATA 180Â°	
6	DW3063011	ASS. TONDO GUIDACESTO C.MECC. 180Â°	
7	DW3063013	ASS. GUIDA TRASPORTO CENTRALE C.MEC.180Â°	
8	DW3063014	GUIDACESTO EST. C.MECC. 180Â°	
9	DW3009713	OMEGA SUPPORTO CON GUIDACESTO	
10	DW3000260	SUPP.FLANGIATO CATENA CURVA SFT20	FLANGE FOR CHAIN
11	DW3000262	RULLO A SBALZO D.50X80 M8X25	50X80 EMBOSMENT ROLLER
12	DW3009715	COPERCHIO PER OMEGA SU CURVA MEC. 180Â°	
13	DW3063012	ASSIEME TRASPORTO CENTRALE C.MECC.180Â°	MECHANIZED ARC 180Â° CENTRAL ASSEMBLY
14	DW3063007	RUOTA C.MECC. 90Â°	WHEEL FOR MECHANIZED ARC 90Â°
15	DW3003025	BOCCOLA DIST. CARRELLO 11,7X10X6 IN	SPACER FOR CARRIAGE 11,7X10X6
16	DW11109	VITE INOX M10x20 TE DIN933	M10X20 TE S/S SCREW DIN933
17	DW11707	DADO M5 CIECO CALOTTA SEMISF. A2 DIN1587	S/S CAP NUT M5 DIN1587
18	DW3063009	ARPIONE INOX C. MECC.	MECHANIZED ARC S/S PAWL
19	DW11179	RONDELLA 10X40 PIANA ZINCATA DIN9021	10X40 ZINC PLATED PLAIN WASHER
20	DW11192	RONDELLA GROWER M10 INOX DIN 127B	M10 S/S GROWER WASHER DIN127B
21	DW11197	VITE M5X10 TCB INOX DIN 7985	M5X10 TCB S/S SCREW DIN7985
22	DW11608	RONDELLA GROWER M5 INOX UNI1751 DIN127	M5 S/S GROWER WASHER UNI1751 DIN127
23	DW3063015	BIELLA CONN. MACCHINA C.MECC. 180Â°	CONNECTION ROD FOR MECHANIZED ARC 180Â°
24	DW3063008	AGGANCIO ASSE MACCHINA	MACHINE AXLE COUPLING
25	DW3063010	CONTRODADO AGG. ASSE CARELLO CUR. MECC.	AXLE MACHINE COUPLING LOCK NUT
26	DW11718	DADO M8 AUTOBLOCCANTE INOX DIN 982	S/S SELF-LOCKING NUT M8 DIN982
27	DW3009716	SQUADRETTA DI RINFORZO A L	
28	DW3004161	DISCO ANTIGOCCIA PER ASSE MOTORIDUT	MOTOR GEAR SHAFT PROTECTION DISK
29	DW10200113	PILETTA SCARICO	FLOOR DRAIN
30	DW10200173/A	GUARNIZIONE 75X58X3	75X58X3 GASKET
31	DW10200114	DADO PILETTA G2 ESA-75	FLOOR DRAIN NUT
32	DW3009393	SUPPORTO PULSANTE EMERGENZA	
33	DW3000264	SCATOLA IP55 PER EMERGENZA CURVA	ARC EMERGENCY BOX IP55
34	DW3000263	#PUL.EMER.CURVA N.V. 3002050+3002056+AG)	EMERGENCY SWITCH
34	DW3002050	PULS.FUNGO D.35 OP.SBLOC.ROT. 30A3	EMERGENCY BUTTON
35	DW3000266	FRUTTO MASCHIO 5 POLI	.
36	DW3000267	FRUTTO FEMMINA 5 POLI	.
37	DW3003158	DISTANZIALE BIELLA CURVA MECC.	MECHANIZED ARC SPACER

RX101E DX HR5 380-400/3N/50Hz B316 - DWU1003511 - Tavolo di entrata ad angolo - DW200E



RX101E DX HR5 380-400/3N/50Hz B316 - DWU1003511 - Tavolo di entrata ad angolo - DW200E

Pos.	Codice	Descrizione	Description
1	DW15613	"GOMITO NYLON SCARICO 1"1/4X32"	"DRAIN ELBOW 1" 1/4X32"
2	DW15613/A	"PORTAGOMM.SCARICO 1"1/4X32 DRITTO"	"STRAIGHT HOSE CONNECTOR 1"1/4X32"
3	DW3009608	#ASS.GAMBA PER LC98	LEG ASSEMBLY
4	DW10200113	PILETTA SCARICO	FLOOR DRAIN
5	DW10200114	DADO PILETTA G2 ESA-75	FLOOR DRAIN NUT
6	DW10200173	GUARNIZIONE 75X58X2	75X58X2 GASKET
7	DW3003071	SUPPORTO ARPIONE TAV. ANG. 35X6X450	ANGLE TABLE PAWL SUPPORT
7	DW3003071/A	SUPP. MAGG. ARPIONE TAV. ANG. 35X6X600	
8	DW11128	VITE INOX M10X25 TE DIN933	M10X25 TE S/S SCREW
9	DW3003060	DISTANZ. PER ARPIONE SU TAV. E CURVE MEC	PAWL SPACER
10	DW3063009	ARPIONE INOX C. MECC.	MECHANIZED ARC S/S PAWL
11	DW3003024	RONDELLA CARRELLO 19X12X1 PTFE	WASHER 19X12X1 PTFE
12	DW11197	VITE M5X10 TCB INOX DIN 7985	M5X10 TCB S/S SCREW DIN7985
13	DW11707	DADO M5 CIECO CALOTTA SEMISF. A2 DIN1587	S/S CAP NUT M5 DIN1587
14	DW11192	RONDELLA GROWER M10 INOX DIN 127B	M10 S/S GROWER WASHER DIN127B
15	DW11719	DADO M10 INOX DIN 934	S/S NUT M10 DIN934

