

Parts Manual

Counter Type Electric Convection Steamer



Series: SteamCraft Models 21CET8

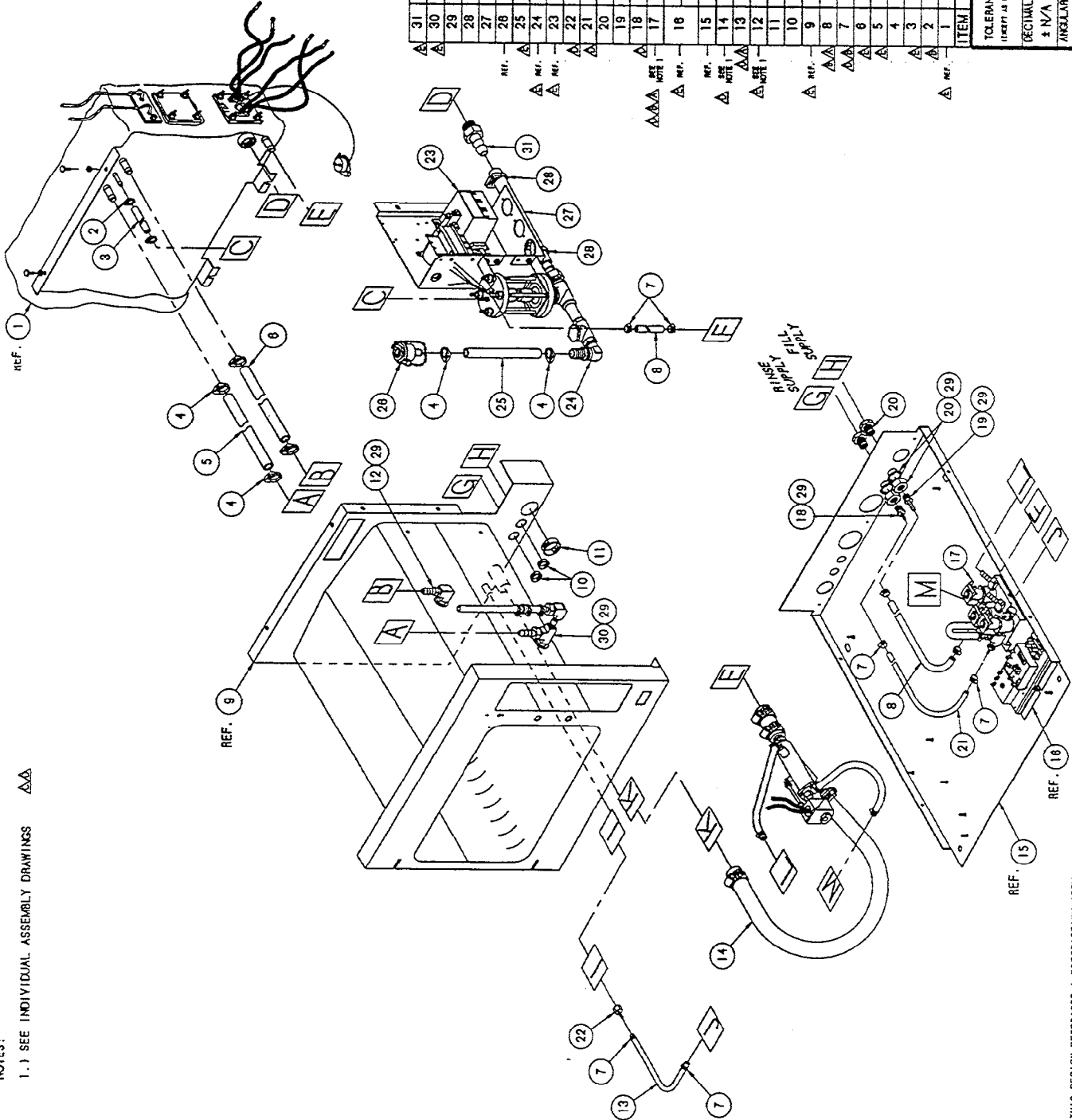
1333 East 179th Street
Cleveland, Ohio 44110

Phone: (216) 481-4900
1-800-338-2204

Fax: (216) 481-3782
www.clevelandrange.com

 Cleveland

NOTES:
 1 - 1 SEE INDIVIDUAL ASSEMBLY DRAWINGS

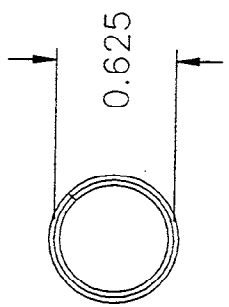


ITEM	QTY.	PART NO.	DESCRIPTION
31	-	08240	FITTING, 3/4 H X 3/4 MPT
30	1	1070591	BREATHER/SPRAY NOZZLE ASSEMBLY
29	A/R	00984	SEALANT, RECTORSEAL
28	2	105847	CLAMP, PLASTIC, 1-1/8 HOSE
27	1	1080931000	HOSE, SILICONE 3/4 X 1 X 10 LG.
26	-	108428	PORT ASSY, DESCALER
25	1	104860700	HOSE, SILICONE 1/2 X 3/4 X 7 LG.
24	-	108227	FLOAT/DESCALER ASSY, SC 3.1
23	-	104093	COMPONENT PANEL ASSY, SC 3.1
22	1	108662	FITTING, HOSE 1/8 H X 1/8 FPT, STR.
21	1	108842100	HOSE, NT-80, 1/8 X 3/8 X 21' LG.
20	2	03841	COUPLING, BULKHEAD, 1/4 H X 1/4 MPT, STR
19	1	104381	FITTING, HOSE 1/4 H X 1/4 MPT, STR
18	1	108861	FITTING, HOSE 1/8 H X 1/4 MPT, BRASS
17	1	108522	VALVE ASSEMBLY, WATER INLET, SC 3.1
16	-	1084331	HEAT STANDBY PLATE
15	-	108433	INT. BLOWDOWN/HEAT STANDBY PLATE
14	1	104098	BASE, WELD ASSEMBLY
13	1	106524	VALVE ASSEMBLY, DRAIN
12	1	108842800	HOSE, NT-80, 1/8 X 3/8 X 28' LG.
11	1	1082301	SPRAY NOZZLE ASSEMBLY, STEAMCRAFT
10	2	02800	REYCO BUSHING SR-873-11, INSULATOR
9	-	1040951	CAVITY, WELD ASSEMBLY
8	2	1058501900	HOSE, NT-80, 1/4 X 1/2 X 19' LG.
7	8	106526	HOSE CLAMP, METAL, 3/8 X 5/8 X 5/16
6	1	1044881250	HOSE, SILICONE, 1/2 X 3/4 X 12-1/2 LG.
5	1	1044882250	HOSE, SILICONE, 1/2 X 3/4 X 22-1/2 LG.
4	6	105848	HOSE CLAMP, NYLON, 3/4" OD HOSE
3	1	1043791800	HOSE, SILICONE, 1/4 X 1/2 X 18 LG.
2	3	104383	HOSE CLAMP, NYLON, 1/2" OD HOSE
1	-	104090	GENERATOR ASSEMBLY

CLEVELAND RANGE INC.	
1333 East 179th St. Cleveland, Ohio 41110-2574	
SCALE	3/16"
DRAWN BY	DUTCHMAN
APPROVED BY	NLT
TITLE	HOSE DETAIL STEAMCRAFT ULTRA 3
DATE	04-21-93
REV.	E
OK	DRAWING NO. C - 1063571

THIS DESIGN DESCRIBES A PROPRIETARY ITEM AND IS THE PROPERTY OF CLEVELAND RANGE. THIS DRAWING IS NOT TO BE COPIED OR USED WITHOUT THE APPROVAL OF CLEVELAND RANGE.

LET.	REVISIONS	DATE	BY
------	-----------	------	----



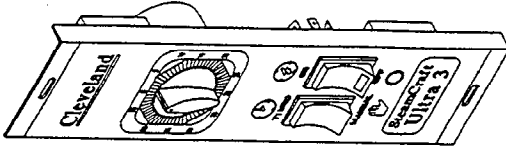
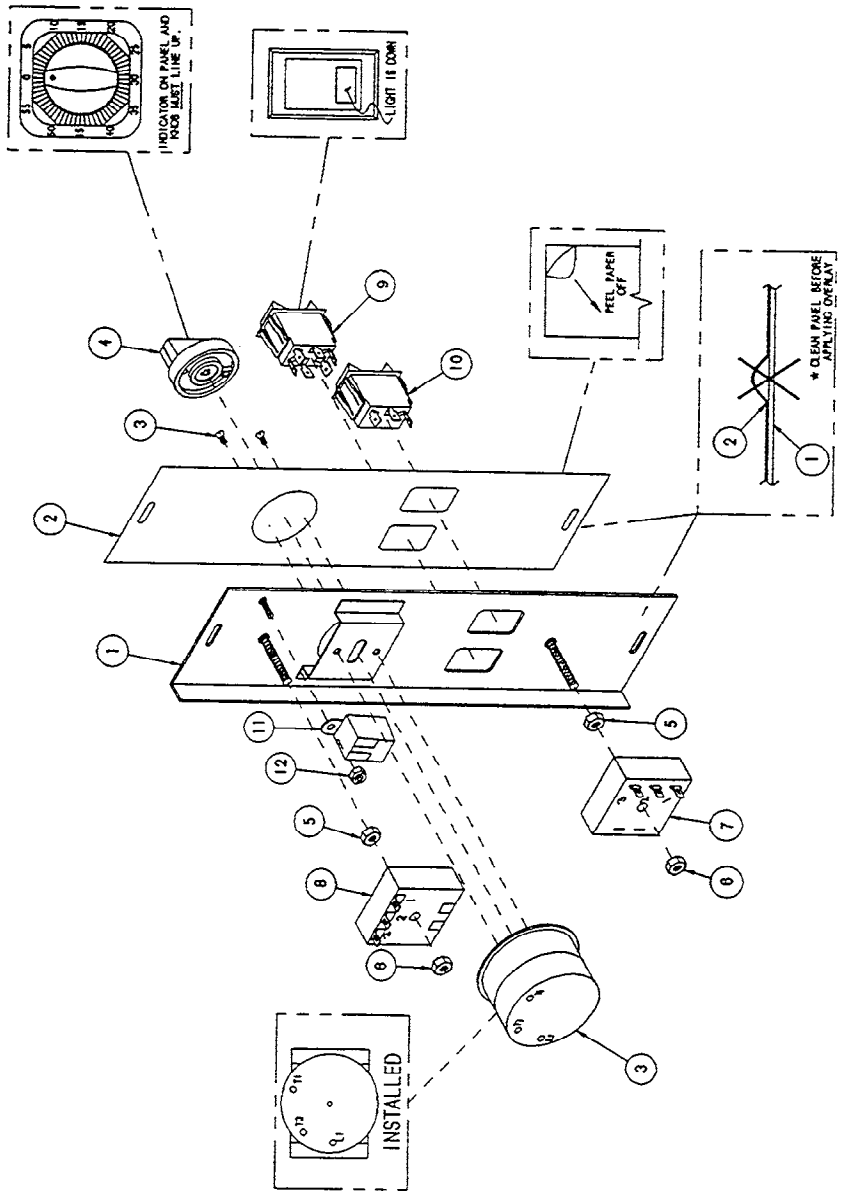
APPROVED SOURCE: AEROFAST INC.
 CAROL STREAM, ILL
 PN

SPECIFICATIONS: MATERIAL: 304S/S OR BETTER
 THICKNESS: SWG NO. 17 (.054)
 CONSTRUCTION: 1-3/4 TURN

ITEM	QTY	PART NO.	DESCRIPTION
TOLERANCES (EXCEPT AS NOTED)			CLEVELAND RANGE INC. 1333 East 179th St. Cleveland, Ohio 44110-2574
DECIMAL ± 0.015	SCALE 1=1	DRAWN BY JTW	APPROVED BY
ANGULAR $\pm 1^\circ$	TITLE RING, SNAP, 5/8" DIA., S/S		
AC	DATE 3/12/93	DRAWING NO. A-106429	REV -

THIS DESIGN DESCRIBES A PROPRIETARY ITEM AND IS THE PROPERTY OF CLEVELAND RANGE.
 THIS DRAWING IS NOT TO BE COPIED OR USED WITHOUT THE APPROVAL OF CLEVELAND RANGE

LET.	REVISIONS	DATE	BY
A	REMOVED ITEMS 5, 6, 8 & 9 REVISED ITEM 1 PICTORIAL E.O. 12816 R1 - COST REDUCTION	2-08-91	P.D.
B	SEE E.O. 1 C-1957 R 2	7-31-91	P.D.
C	P/N 20478 ROTATED 90° AND P/N 41350 & 14672 MOVED FROM BOTTOM TO TOP OF P/N 104085 PER E.O. KC-2384 R3	08-25-93	PJD
D	P/N 106802 REPLACED P/N 103721 PER E.O. KC-2503	09-21-93	P.D

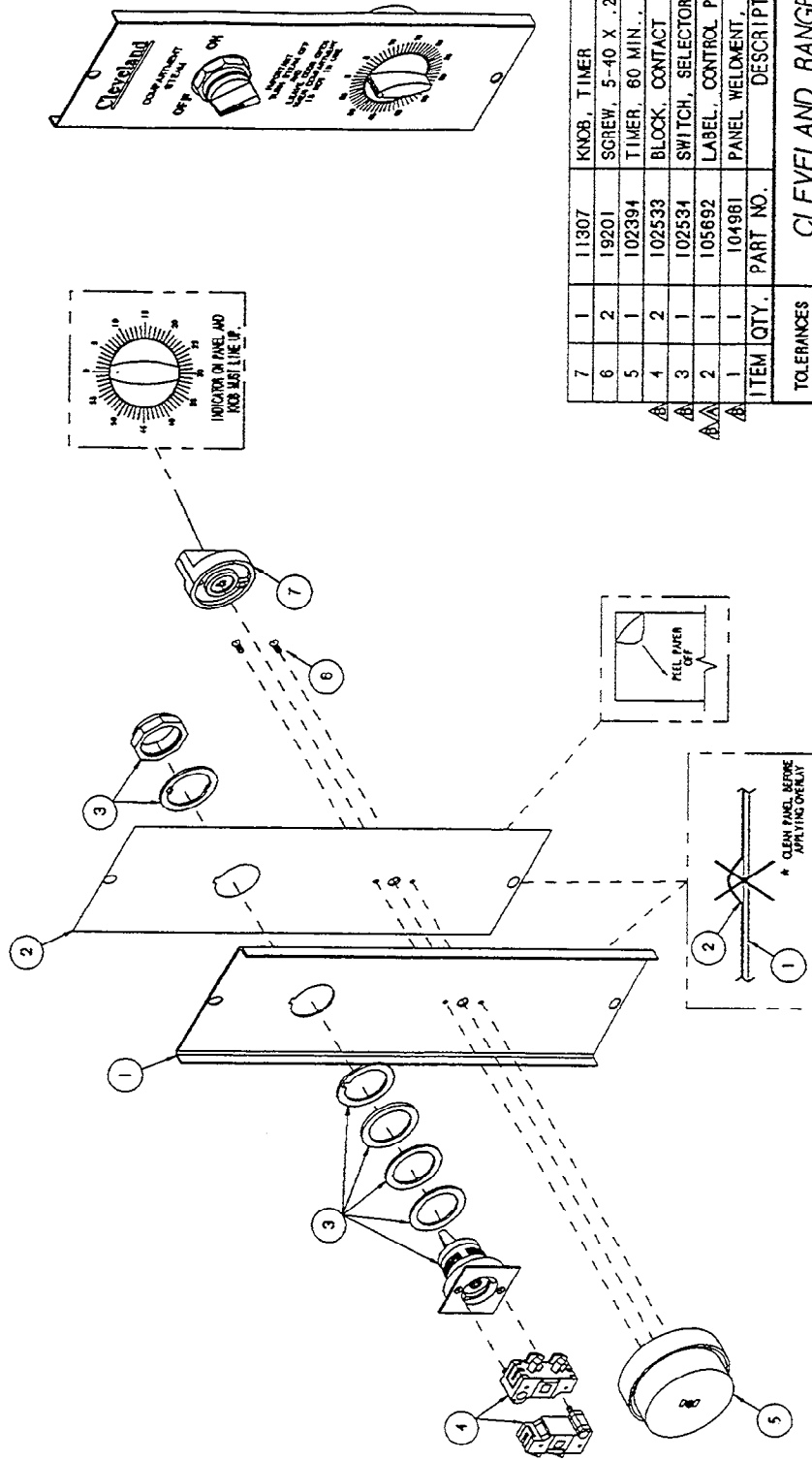


NO.	QTY.	PART NO.	DESCRIPTION
Δ 2	1	14672	1/4-20 LOCKING HEX NUT
Δ 1	1	41350	BUZZER
Δ 10	1	104224	MANUAL SWITCH
9	1	19993	POWER SWITCH
Δ 8	1	20478	3-MINUTE TIMER
6	2	20477	3-SECOND TIMER
2	1	101873	NUT, 1/4-20 PLASTIC LOCK
5	2	14617	BLACK OXIDE 1/4-20 HEX NUT
4	1	11307	TIMER KNOB
3	1	20476	TIMER WITH MOUNTING SCREWS (2)
Δ 2	1	106602	LABEL CONTROL PANEL, ULTRA
Δ 1	1	104085	CONTROL PANEL WITH STUDS
Δ Δ			

TELEMARKETS		CLEVELAND RANGE INC.	
OFFICE	ADDRESS	1333 East 17th St.	Cleveland, Ohio 44110-2874
REGIONAL	SCALE	1-2	DRAWN BY R. RIOS
APPROVAL	TITLE	CONTROL PANEL ASS'Y., MECHANICAL STEAMCRAFT 3, 1 ULTRA	
1	N/A	DATE	07-9-90
CK		DRAWING NO.	C-104086
		REV.	D

DO NOT CLEAN EXCESSIVE FINGERPRINT OIL FROM THE SURFACE OF THE CONTROL PANEL. THE OILING IS NOT TO BE OILED UNLESS THE APPROVAL OF CLEVELAND RANGE.

LET.	REVISIONS	DATE	BY
A	HOLES ADDED TO LABEL, P/N 105692 WAS 103719. E.O. C-2182.	04/06/93	PJD
B	UPDATED PICTORIALLY PER E.O. #C-2429 & #C-2495 & #C-2503	09/13/93	NLT

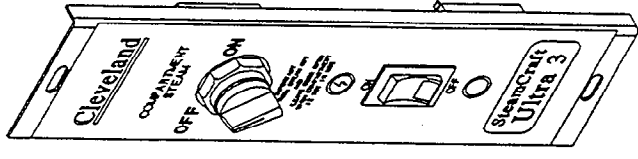
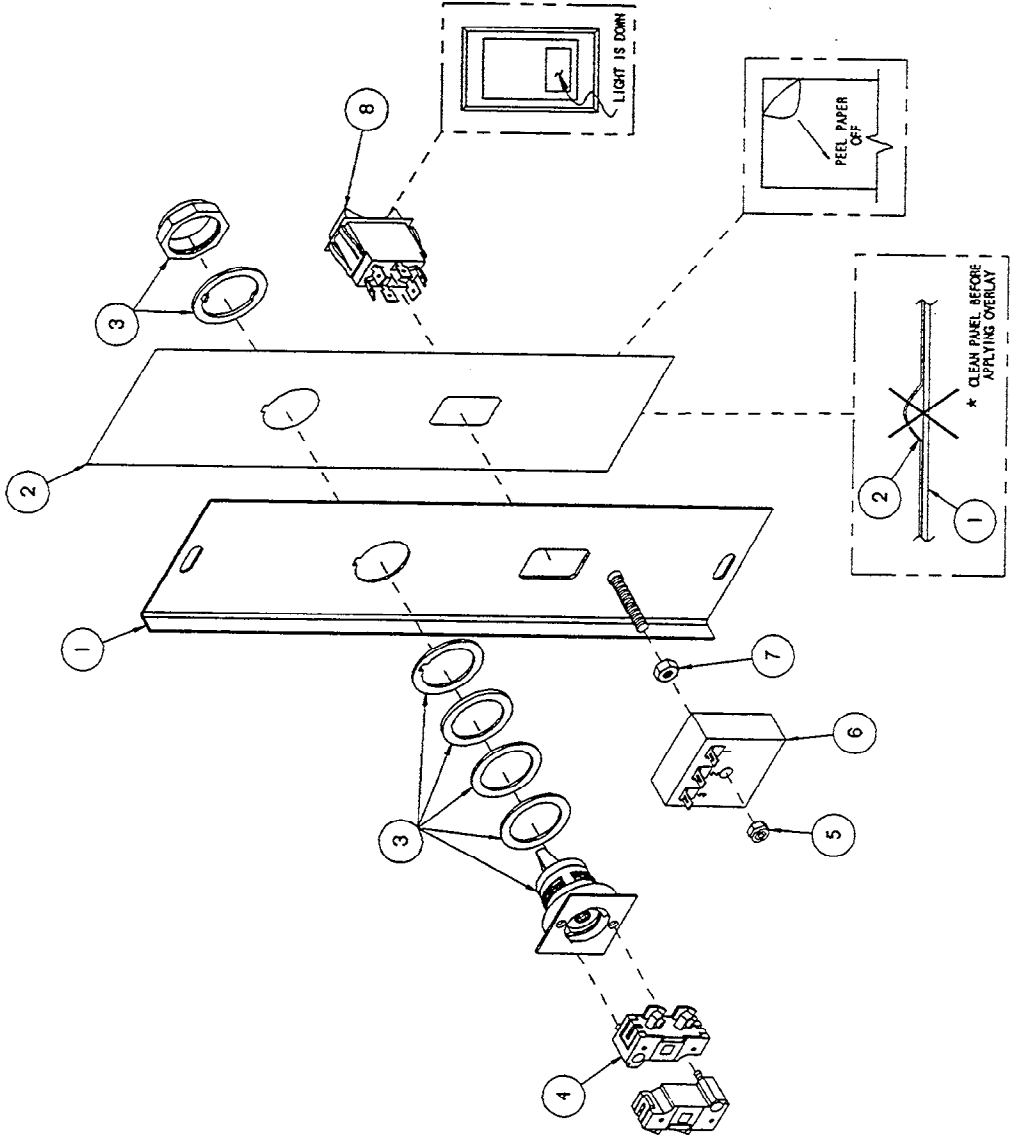


ITEM	QTY.	PART NO.	DESCRIPTION
7	1	11307	KNOB, TIMER
6	2	19201	SCREW, 5-40 X .250, PAN HD
5	1	102394	TIMER, 60 MIN., INDICATING
4	2	102533	BLOCK, CONTACT
3	1	102534	SWITCH, SELECTOR
2	1	105692	LABEL, CONTROL PANEL, ON/OFF
1	1	104981	PANEL WELDMENT, ON/OFF CONTROL

TOLERANCES	CLEVELAND RANGE INC.	
(EXCEPT AS NOTED)	1333 East 179th St. Cleveland, Ohio 44110-2574	
DECIMAL	SCALE	DRAWN BY
± N/A	3/8-1	DUTCHMAN
ANGULAR	TITLE	APPROVED BY
± N/A	TIMER ASSEMBLY, ON/OFF CONTROL W/ INDICATING TIMER	BEYFORD
CK	DATE	REV.
	09-19-91	B - 104931 B

THIS DESIGN DESCRIBES A PROPRIETARY ITEM AND IS THE PROPERTY OF CLEVELAND RANGE. THIS DRAWING IS NOT TO BE COPIED OR USED WITHOUT THE APPROVAL OF CLEVELAND RANGE.

LET.	REVISIONS	DATE	BY
A	P/N 106804 REPLACED P/N 106107 PER E.O. 10-25303	09-21-93	PJO



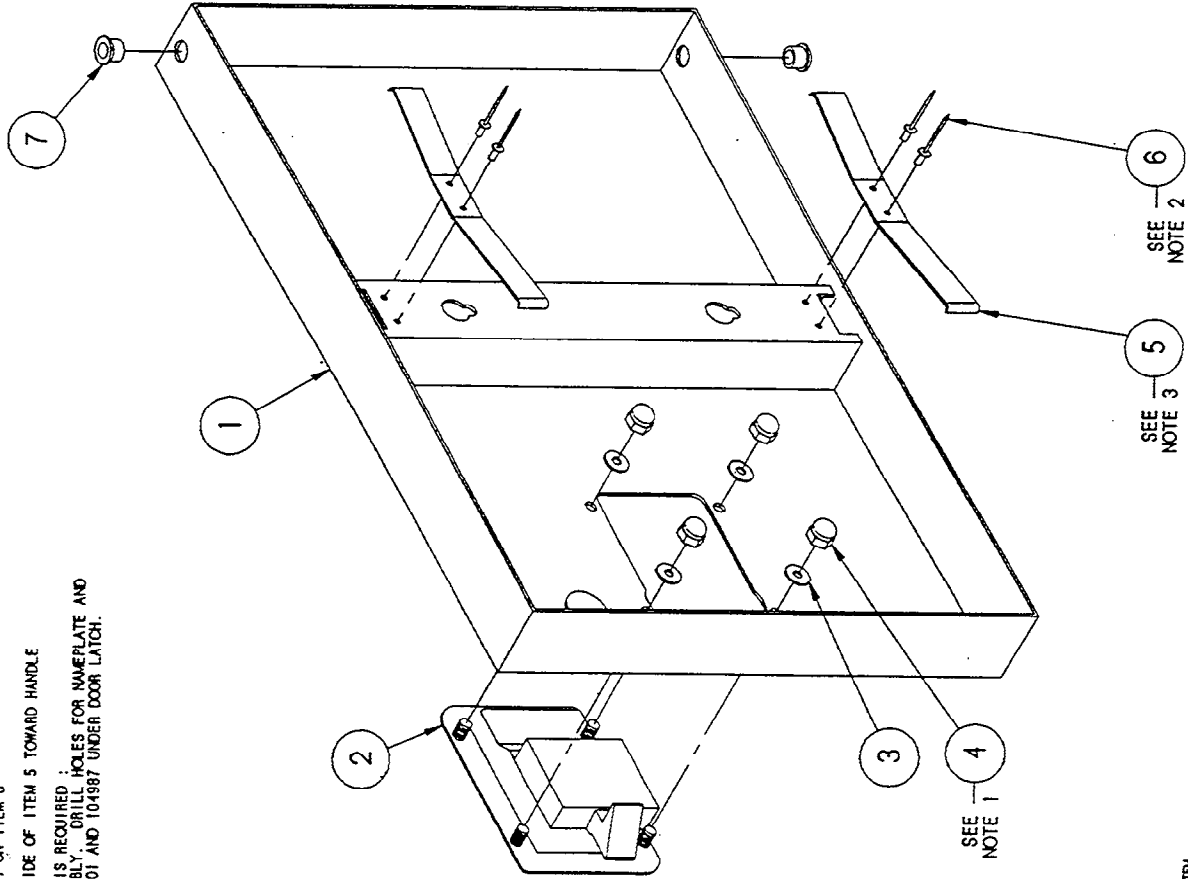
ITEM	QTY.	PART NO.	DESCRIPTION
8	1	19983	SWITCH, ROCKER, DPDT, W/ RED LIGHT
7	1	14817	NUT, HEX 1/4-20, STEEL
6	1	20478	TIMER, SOLID STATE INTERVAL 3 MINUTE
5	1	101873	NUT, HEX 1/4-20 ELASTIC LOCK
4	2	102533	BLOCK, CONTACT
3	1	102534	SWITCH, SELECTOR
2	1	106804	LABEL, CONTROL PANEL, ON/OFF, ULTRA 3
1	1	106303	PANEL, REDIMENT, ON/OFF CONTROL, SC 3.1/5.1

CLEVELAND RANGE INC. 1333 East 178th St. Cleveland, Ohio 44110-2574	
SCALE: 5/8"=1"	DRAWN BY: DUTCHMAN
TOLERANCES (unless noted):	APPROVED BY:
DECIMAL: ± .030	
ANGULAR: ± 1°	
DATE: 01-15-93	DRAWING NO. C - 106304
CK	REV. A

THIS DESIGN DESCRIBES A PROPRIETARY ITEM AND IS THE PROPERTY OF CLEVELAND RANGE. THIS DRAWING IS NOT TO BE REPRODUCED OR COPIED WITHOUT THE APPROVAL OF CLEVELAND RANGE.

LET.	REVISIONS	DATE	BY
B	NOTE 3 WAS UPDATED, WAS ITEM 6 CALLOUT PER E.O. IC-1908	01-02-91	JUP
C	NOTE 2 REVISED, WAS ITEM 7 CALLOUT PER E.O. IC-1908 B1	10-19-92	J.D.
D	P/Ns 10390, 104987 ADDED PER E.O. IC-2441 R2	10-28-93	J.D.
E	P/Ns 103901 & 104987 REF. ONLY PER E.O. IC-2441 R3	09-01-93	J.D.
F	P/Ns 103901 & 104987 REMOVED PER E.O. IC-2441 R5	12-13-93	J.D.

- NOTES : 1.) USE LOCTITE #222 - LOW STRENGTH (1104146) ON ITEM 4
 2.) USE RTV (100933) ON ITEM 6
 3.) ORIENT LONGER SIDE OF ITEM 5 TOWARD HANDLE
 4.) WHEN NAMEPLATE IS REQUIRED :
 ATTACH AT ASSEMBLY. DRILL HOLES FOR NAMEPLATE AND
 MOUNT P/Ns 103901 AND 104987 UNDER DOOR LATCH.



ITEM	QTY.	PART NO.	DESCRIPTION
7	2	103841	BUSHING, BRONZE
6	4	18957	RIVET, 1/8" DIA. FLUSH BREAK, S/S
5	2	102228	SPRING, DOOR
4	4	14879	NUT, #10-24 ACORN, S/S
3	4	101855	WASHER, #10 FLAT, S/S
2	1	103843	LATCH, DOOR - PADLOCK TYPE
1	1	1035271	OUTER DOOR WELDMENT, H.L.

TOLERANCES (UNLESS OTHERWISE SPECIFIED)	
DECIMAL	± N/A
ANGULAR	± N/A

SCALE	5/8"=1"	DRAWN BY	DUTCHMAN	APPROVED BY	
TITLE	DOOR, OUTER ASSEMBLY, H.L.				
DATE	02-28-91	DRAWING NO.	C-16-1/1	REV.	F

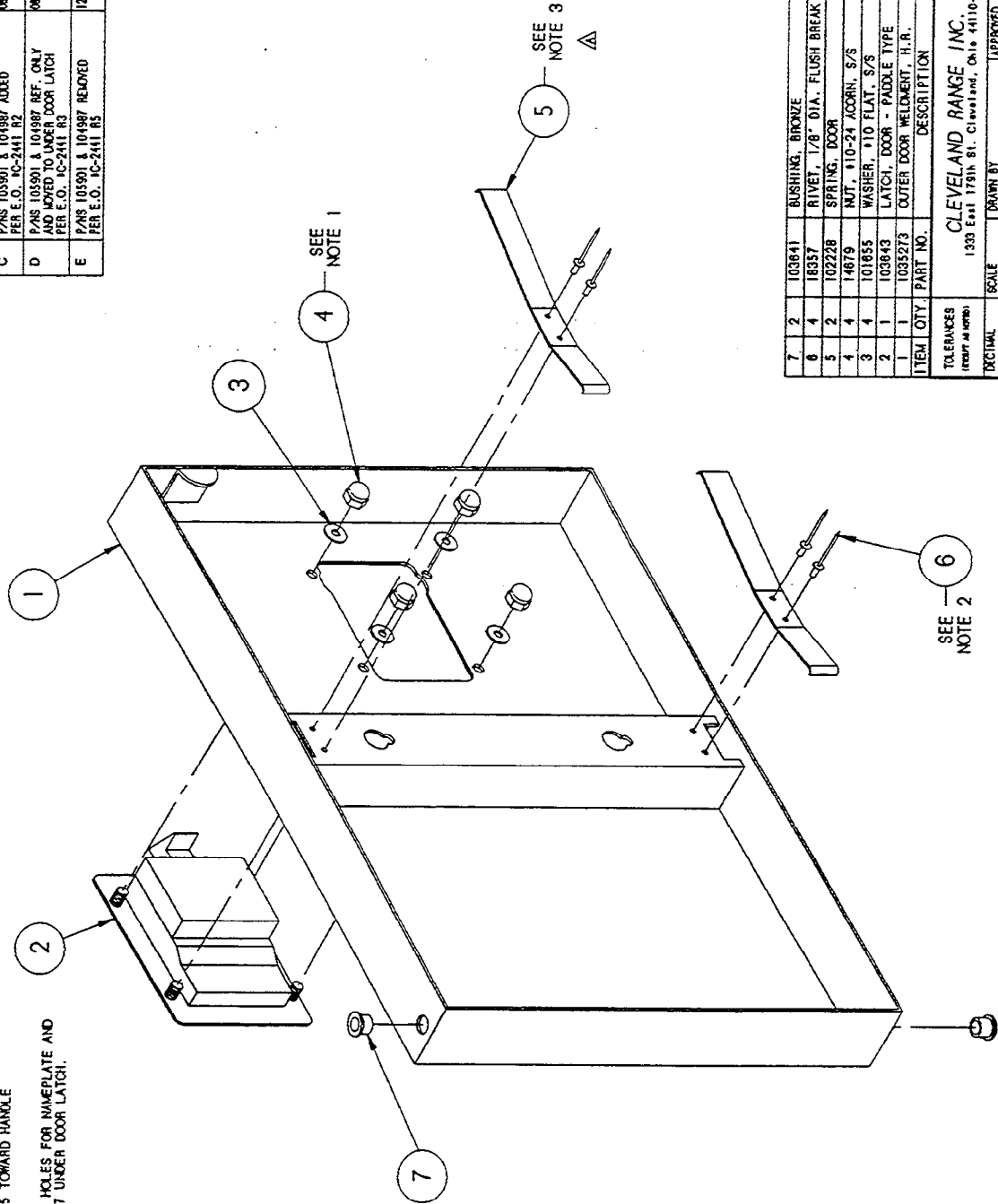
CLEVELAND RANGE, INC.
 1333 East 178th St. Cleveland, Ohio 44110-2374

THIS DESIGN DESCRIBES A PROPRIETARY ITEM AND IS THE PROPERTY OF CLEVELAND RANGE. DRAWING IS NOT TO BE COPIED OR USED WITHOUT THE APPROVAL OF CLEVELAND RANGE.

NOTES:

- 1.1 USE LOCKITE #222 - LOW STRENGTH (#104140) ON ITEM 4
- 2.1 USE RTV (#00933) ON ITEM 6
- 3.1 ORIENT LONGER SIDE OF ITEM 5 TOWARD HANDLE
- 4.1 WHEN NAMEPLATE IS REQUIRED: DRILL HOLES FOR NAMEPLATE AND ATTACH AT ASSEMBLY. DRILL HOLES FOR NAMEPLATE AND MOUNT P/Ns 105901 AND 104987 UNDER DOOR LATCH.

LET.	REVISIONS	DATE	BY
A	NOTE 3 WAS UPDATED, WAS ITEM 6 CALLOUT PER E.O. IC-1908	01-01-91	DJP
B	NOTE 2 REVISED, WAS ITEM 7 CALLOUT PER E.O. IC-1908 R1	03-19-92	P.D.
C	P/Ns 105901 & 104987 ADDED PER E.O. IC-2411 R2	08-30-93	P.D.
D	P/Ns 105901 & 104987 REF. ONLY AND MOVED TO UNDER DOOR LATCH PER E.O. IC-2411 R3	08-05-93	P.D.
E	P/Ns 105901 & 104987 REVISED PER E.O. IC-2411 R5	12-13-93	P.D.

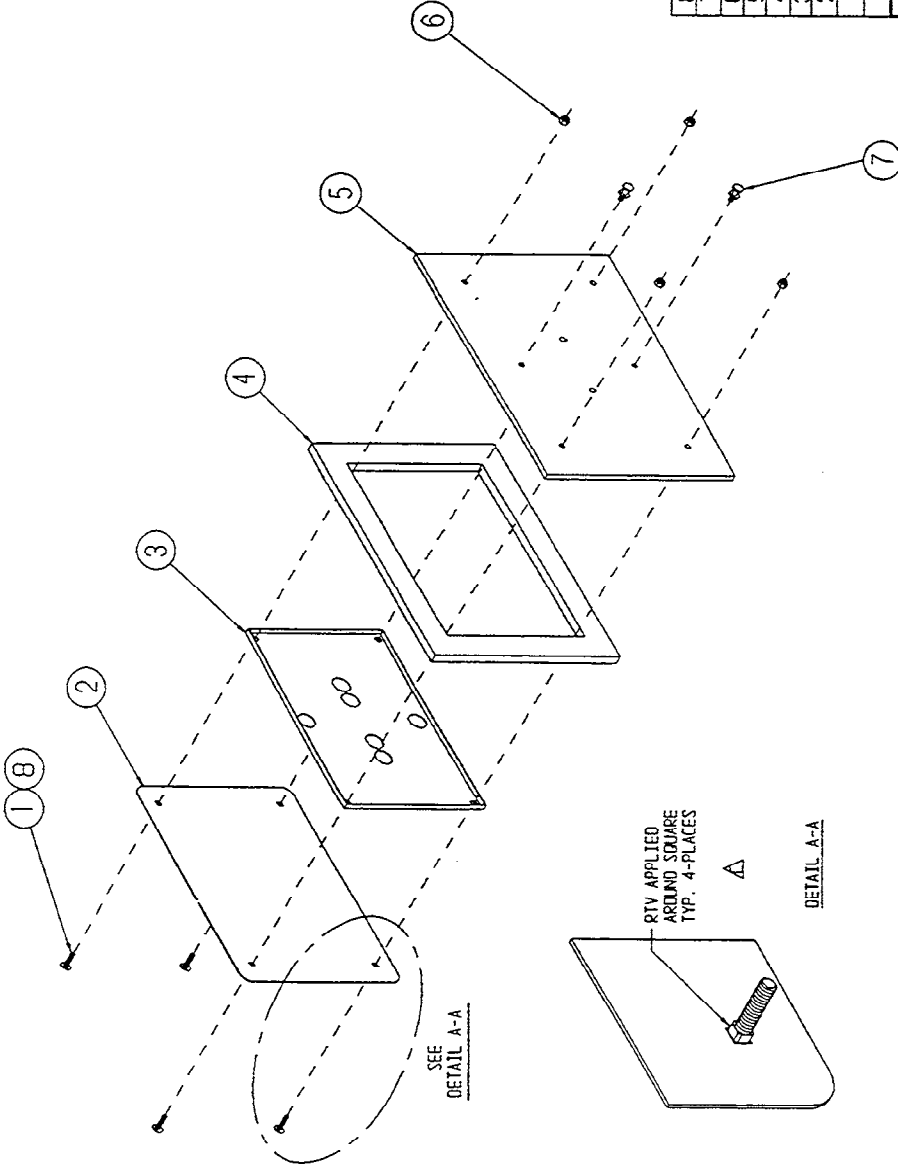


ITEM	QTY	PART NO.	DESCRIPTION
7	2	103641	BUSHING, BRONZE
6	4	18357	RIVET, 1/8" DIA., FLUSH BREAK
5	2	102228	SPRING, DOOR
4	4	14879	NUT, #10-24 ADORN. S/S
3	4	101855	WASHER, #10 FLAT, S/S
2	1	103843	LATCH, DOOR - PADDELE TYPE
1	1	1035273	OUTER DOOR WELDMENT, H.R.

TOLERANCES (EXCEPT AS NOTED)	CLEVELAND RANGE, INC. 1333 East 179th St. Cleveland, Ohio 44110-2874	
DIMENSIONAL	SCALE: 3/8"=1"	DRAWN BY: DUTCHMAN
FINISHES	TITLE: DOOR, OUTER ASSEMBLY, H.R.	APPROVED BY:
CK	DATE: 02-28-91	REV. E

THIS DESIGN DESCRIBES A PROPRIETARY ITEM AND IS THE PROPERTY OF CLEVELAND RANGE. THIS DRAWING IS NOT TO BE COPIED OR USED WITHOUT THE APPROVAL OF CLEVELAND RANGE.

LET.	REVISIONS	DATE	BY
A	REVISED PER E.O. #C-1872 R5	2-28-91	P.J.C.
B	REVISED PER E.O. #C-1872 R7	5-13-91	P.J.C.
C	REVISED PER E.O. #C-1963	8-05-91	P.J.C.



ITEM	QTY.	PART NO.	DESCRIPTION
8	A/R	C0932	SEALANT, RTV
7	2	19923	PIN GUIDE, INNER DOOR
6	4	14665	NUT, HEX LOCK 1/4-20
5	1	100745	INNER DOOR WELDMENT
4	1	07138	DOOR GASKET
3	1	66214	INNER GASKET RETAINER
2	1	66595	GASKET RETAINER PLATE
1	4	104719	BOLT, CARTRIDGE 1/4-20 X 1.000"

TOLERANCES (EXCEPT AS NOTED)		CLEVELAND RANGE INC.	
DECIMAL	SCALE	1933 Est. 179th St. Cleveland, Ohio 44110-2574	
± N/A	N/A	DRAWN BY	P. J. D.
ANGULAR	± N/A	APPROVED BY D. S.	
± N/A	± N/A	TITLE	
CK	DATE	DOOR, INNER ASS'Y.	
	02-28-91	SC 3.1 CONV. (NEW STYLE MODEL C)	
		DRAWING NO.	B-104101
		REV.	C

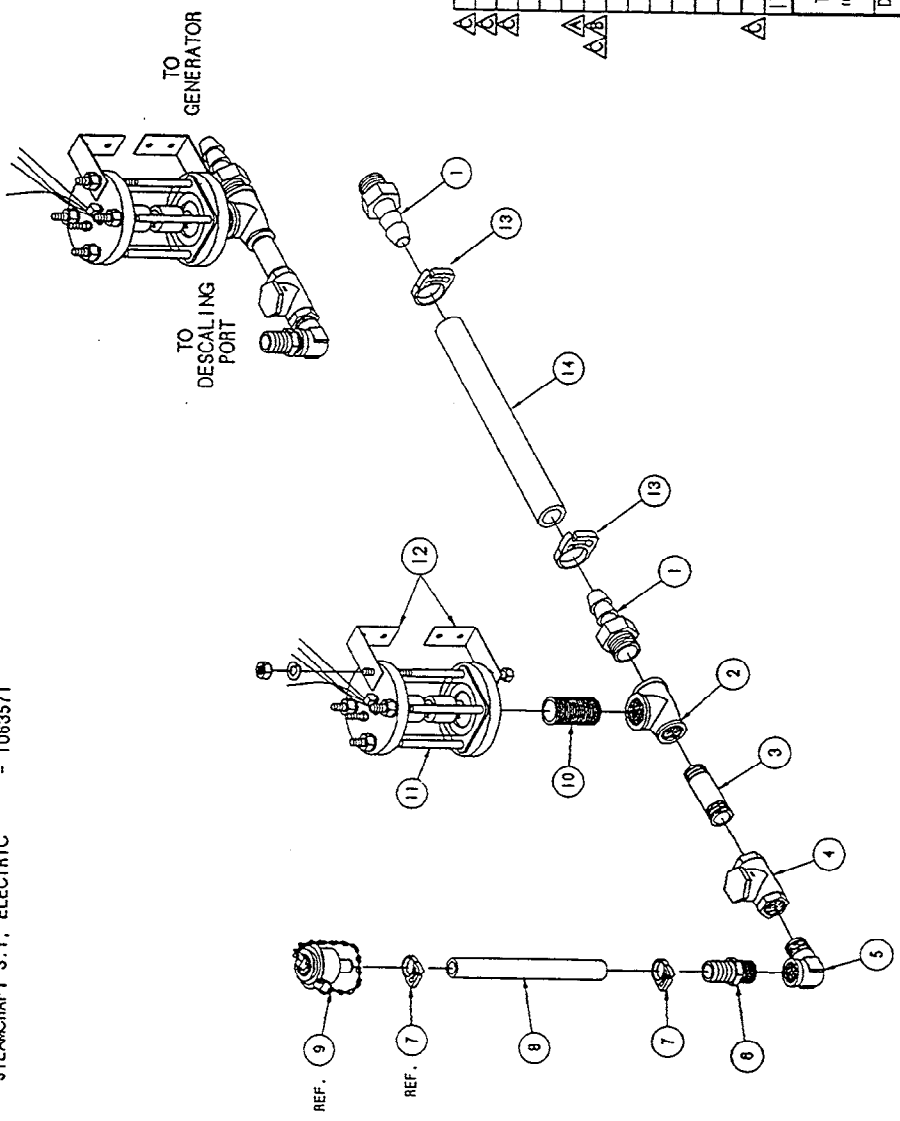
RTV APPLIED AROUND SQUARE TYP. 4-PLACES

DETAIL A-A

THIS DESIGN DESCRIBES A PROPRIETARY ITEM AND IS THE PROPERTY OF CLEVELAND RANGE. THIS DRAWING IS NOT TO BE COPIED OR USED WITHOUT THE APPROVAL OF CLEVELAND RANGE.

LET.	REVISIONS	DATE	BY
A	108104 & 108180 REPLACED WITH 108428 PER EO 10C-2385	03-18-93	PJD
B	HOSE WAS 8" NCM 9" LG. PER EO 10C-2385	04-15-93	PJD
C	SEE E.O. 10C-2831	06-01-94	PJD

NOTE:
 1) SEE FOLLOWING DRAWING FOR HOSE LOCATIONS:
 STEAMCRAFT 3.1, ELECTRIC - 1083571



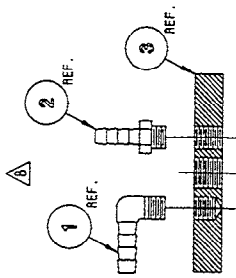
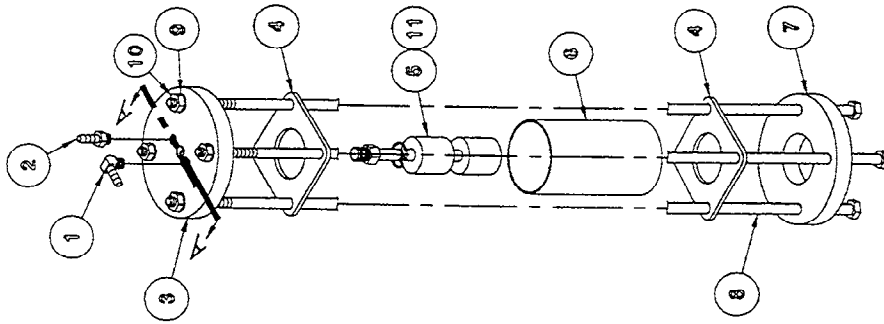
ITEM	QTY.	PART NO.	DESCRIPTION
14	1	1080931000	HOSE, SILICONE, 3/4 ID X 1 OD X 10' LG
13	2	105847	CLAMP, PLASTIC, 1-1/8" HOSE
12	2	108878	BRACKET, TOP/BOT., FLOAT SUPPORT
11	1	105877	FLOAT, ASSEMBLY, STEAMCRAFT
10	1	14942	NIPPLE, 3/4 X CLOSE, RED BRASS
9	-	108428	PORT ASSEMBLY, DESCALER
8	1	1058450700	HOSE, NBRPRENE, 1/2 ID X 3/4 OD X 7 LG
7	1	105848	CLAMP, PLASTIC, 3/4" OD HOSE
6	1	08237	FITTING, 1/2 X 1/2 MPT, BRASS
5	1	05253	ELBOW, STREET, 90° X 1/2", BRASS
4	1	108156	CHECK VALVE, 1/2" SWING W/ RUBBER SEAT
3	1	14931	NIPPLE, 1/2" X 2-1/2", BRASS
2	1	20208	TEE, 3/4 X 1/2 X 3/4, BRASS
1	2	08240	FITTING, 3/4 H X 3/4 MPT

TOLERANCES (EXCEPT AS NOTED)	SCALE	DRAWN BY	APPROVED BY
DECIMAL ± .030	1/4"	DUTCHMAN	
ANGULAR ± 1°	TITLE	FLOAT AND DESCALER ASSEMBLY STEAMCRAFT 3.1	
CK	DATE	DRAWING NO.	REV.
	01-22-93	B - 108227	C

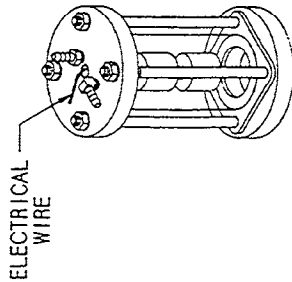
THIS DESIGN DESCRIBES A PROPRIETARY ITEM AND IS THE PROPERTY OF CLEVELAND RANGE. THIS DRAWING IS NOT TO BE COPIED OR USED WITHOUT THE APPROVAL OF CLEVELAND RANGE.

CLEVELAND RANGE INC.
 1333 East 179th St. Cleveland, Ohio 44110-2574

LET.	REVISIONS	DATE	BY
A	CORRECTED P/N 105787	7-30-92	SM
B	ROTATED 90° P/NS 105787 & 104380 PER EO #C-2304	10-10-92	PD
C	THIS ASSEMBLY REPLACES P/N 104091 ON SC 3.1, 5.1 ELECT. & SC 10 ELECT. PER EO #C-2277 R3	02-02-93	PD



DETAIL A-A
SCALE: 1/2=1



ASSEMBLED VIEW
SCALE: 1/4=1

EXPLODED ASSEMBLY
SCALE: 1/4=1

REFERENCE:
260AHM 5 OF 5

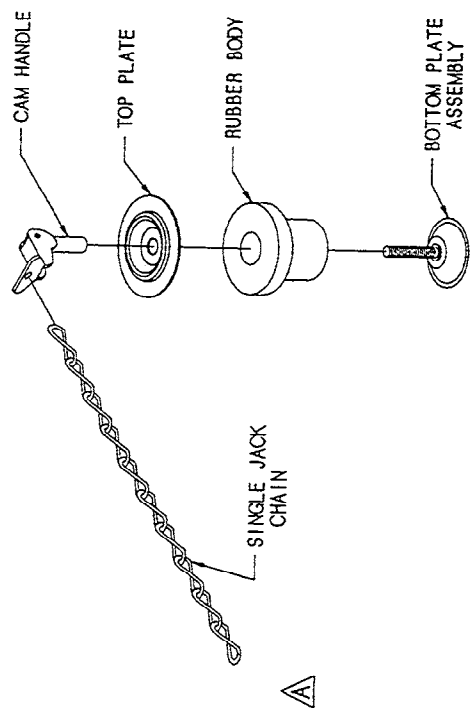
THIS DESIGN DESCRIBES A PROPRIETARY ITEM AND IS THE PROPERTY OF CLEVELAND RANGE. THIS DRAWING IS NOT TO BE COPIED OR USED WITHOUT THE APPROVAL OF CLEVELAND RANGE.

ITEM	QTY.	PART NO.	DESCRIPTION
11	A/R	00934	SEALANT, RECTORSEAL
10	4	14618	NUT, HEX HEAD, 1/4-20, S/S
9	4	23105	WASHER, SPLIT LOCK, 1/4, S/S
8	4	104276	SCREW, HEX HEAD, 1/4-20 x 5.5, S/S
7	1	104040	CAP, FLOAT BOTTOM
6	1	1040190388	TUBE, POLYSULFONE, 2 x .125 x 3.875
5	1	103726	SWITCH ASSEMBLY, FLOAT
4	2	104041	GASKET, FLOAT ASSEMBLY
3	1	104039	TOP, FLOAT, STEAMCRAFT
2	1	104380	FITTING, HOSE BARB, 1/4 H x 1/8 MPT
1	1	105787	FITTING, HOSE BARB, 90°, 1/4 H x 1/8 MPT

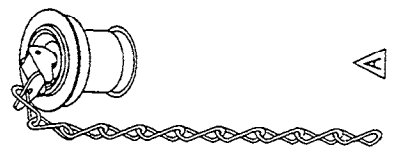
TOLERANCES (EXCEPT AS NOTED)		CLEVELAND RANGE INC.	
DECIMAL	AS SHOWN	DRAWN BY S. MILEWSKI	APPROVED BY
± N/A			
ANGULAR		TITLE	
± N/A		FLOAT ASSEMBLY, STEAMCRAFT	
		10 ELECTRIC, 3.1 AND 5.1	
CK	DATE	DRAWING NO.	REV.
	05-28-92	B - 105877	C

1933 East 179th St. Cleveland, Ohio 44110-2574

LET.	REVISIONS	DATE	BY
A	CLIP W/ SWIVEL OBSOLETE PER E.O. #C-2385	03-18-93	PJD



EXPLODED VIEW



ASSEMBLED VIEW

SPECIFICATIONS:

PLUG ASSEMBLY

1. CAM HANDLE - BRASS W/ STAINLESS STEEL RIVET (304 SS OPTIONAL)
2. TOP PLATE - 304 SS
3. RUBBER BODY - TO FIT 31/32" HOLE
- NEOPRENE
(SILICONE OPTIONAL)
4. BOTTOM PLATE ASSEMBLY - 304 SS
W/ 430 SS STUD
(304 SS STUD OPTIONAL)
5. CHAIN - SINGLE JACK CHAIN
- NO. 16
- 304 SS
- 5.50" (9-10 LINKS)



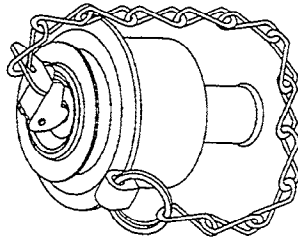
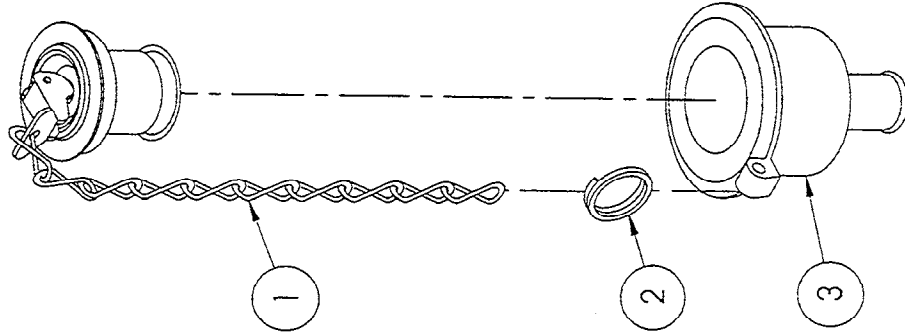
VENDOR : SHAW AERO DEVELOPMENT
P.O. BOX 8657
NAPLES, FLORIDA 33941

VENDOR P/N : 55900

ITEM	QTY.	PART NO.	DESCRIPTION
TOLERANCES (EXCEPT AS NOTED) DECIMAL ± .030 ANGULAR ± 1°			
SCALE		DRAWN BY	APPROVED BY
TITLE		DUTCHMAN	PLUG, EXPANDABLE, W/ CHAIN DESCALER
DATE	01-22-93	DRAWING NO.	C - 106160
CK			REF A

THIS DESIGN DESCRIBES A PROPRIETARY ITEM
AND IS THE PROPERTY OF CLEVELAND RANGE.
THIS DRAWING IS NOT TO BE REPRODUCED OR USED
WITHOUT THE APPROVAL OF CLEVELAND RANGE.

LET. REVISIONS DATE BY



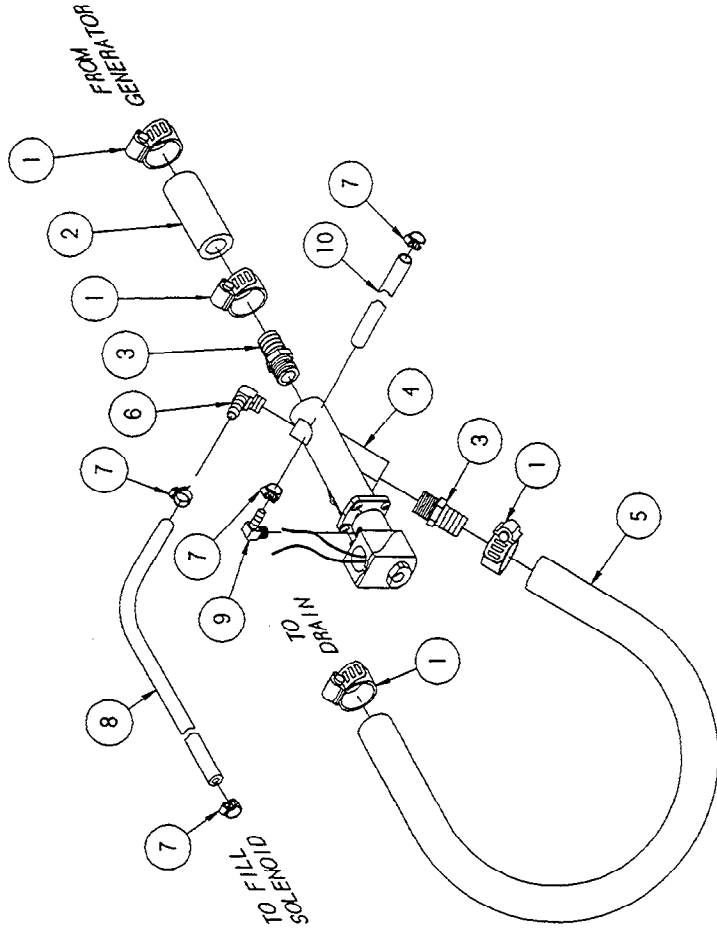
ASSEMBLED VIEW

ITEM	QTY.	PART NO.	DESCRIPTION
3	1	106104	FITTING, DESCALING PORT
2	1	106429	RING, SNAP, 5/8 DIA. S/S
1	1	106160	PLUG, EXPANDABLE W/ CHAIN

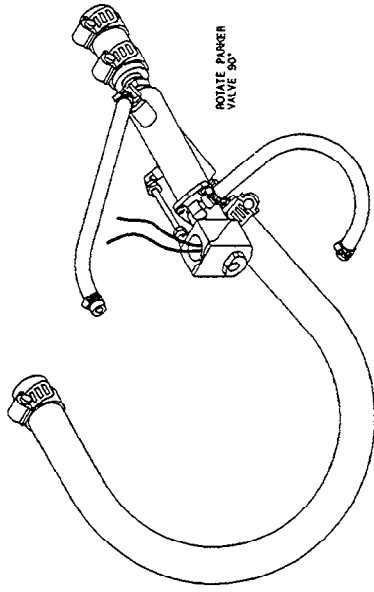
TOLERANCES (EXCEPT AS NOTED)		CLEVELAND RANGE INC. 1333 East 179th St., Cleveland, Ohio 44110-2574	
DECIMAL	± .030	SCALE	1" = 1"
ANGULAR	± N/A	DRAWN BY	DUTCHMAN
		APPROVED BY	
		TITLE	PORT ASSEMBLY, DESCALER
CK	DATE 03-18-93	DRAWING NO.	B - 106428
		REV.	-

THIS DESIGN DESCRIBES A PROPRIETARY ITEM AND IS THE PROPERTY OF CLEVELAND RANGE. THIS DRAWING IS NOT TO BE COPIED OR USED WITHOUT THE APPROVAL OF CLEVELAND RANGE.

LET. REVISIONS DATE BY



ASSEMBLED UNIT

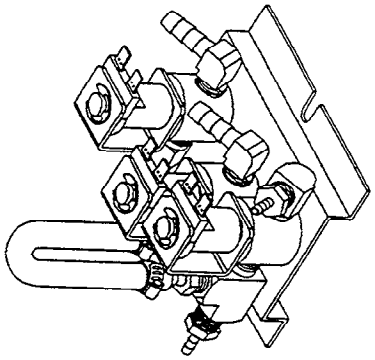


10	1058500600	HOSE, RT-80, 1/4 X 1/2 X 8' LG.
9	105787	FITTING, HOSE 1/4 H X 1/8 MPT, 90°
8	1058500900	HOSE, RT-80, 1/4 X 1/2 X 9' LG.
7	106219	CLAMP, METAL, WORM DRIVE
6	105788	FITTING, HOSE 1/4 H X 1/4 MPT, 90°
5	085051400	HOSE, DARTREEN 3/4" TO X 1/4" LG.
4	22244	VALVE, DRAIN, PARKER
3	08240	FITTING, HOSE 3/4 H X 3/4 MPT, STR
2	085050300	HOSE, DARTREEN 3/4" TO X 3' LG.
1	03207	CLAMP, METAL, WORM DRIVE
		ITEM QTY. PART NO. DESCRIPTION

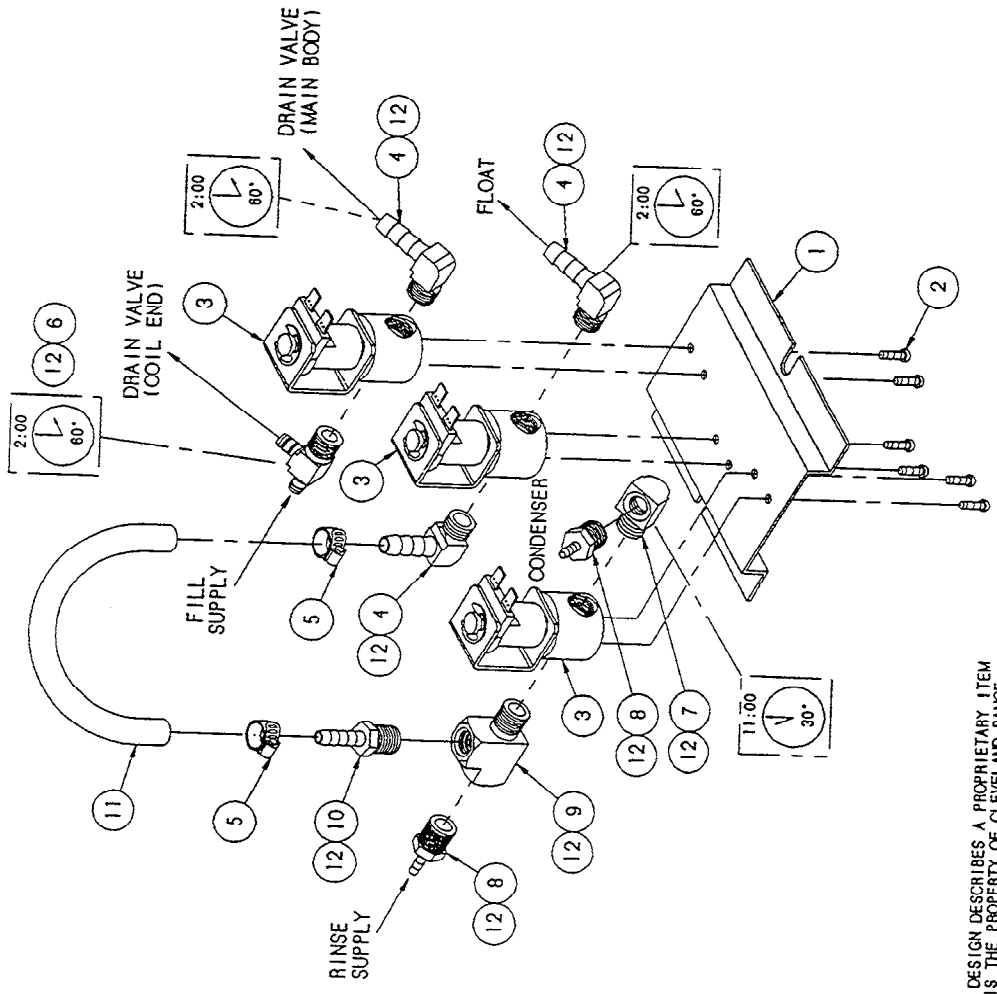
CLEVELAND RANGE, INC. 1333 East 175th St., Cleveland, Ohio 44110-2574	
SCALE	3/8=1
DRAWN BY	DUTCHMAN
APPROVED BY	
TITLE	VALVE ASSEMBLY, DRAIN STEAMCRAFT S-1, GAS
DATE	05-12-93
CK	CK
DRAWING NO.	C - 106524
REV.	-

THIS DESIGN DESCRIBES A PROPRIETARY ITEM AND IS THE PROPERTY OF CLEVELAND RANGE. THIS DRAWING IS NOT TO BE COPIED OR USED WITHOUT THE APPROVAL OF CLEVELAND RANGE.

LET.	REVISIONS	DATE	BY
A	106522 REPLACED 104087, 106526 REPLACED 106219, ADDED NEW PARTS & NEW TUBING LAYOUT PER E.O. #C-2492	08-23-93	PJD



NOTE: 1. USE THREAD JOINT COMPOUND AS REQUIRED TO SEAL.



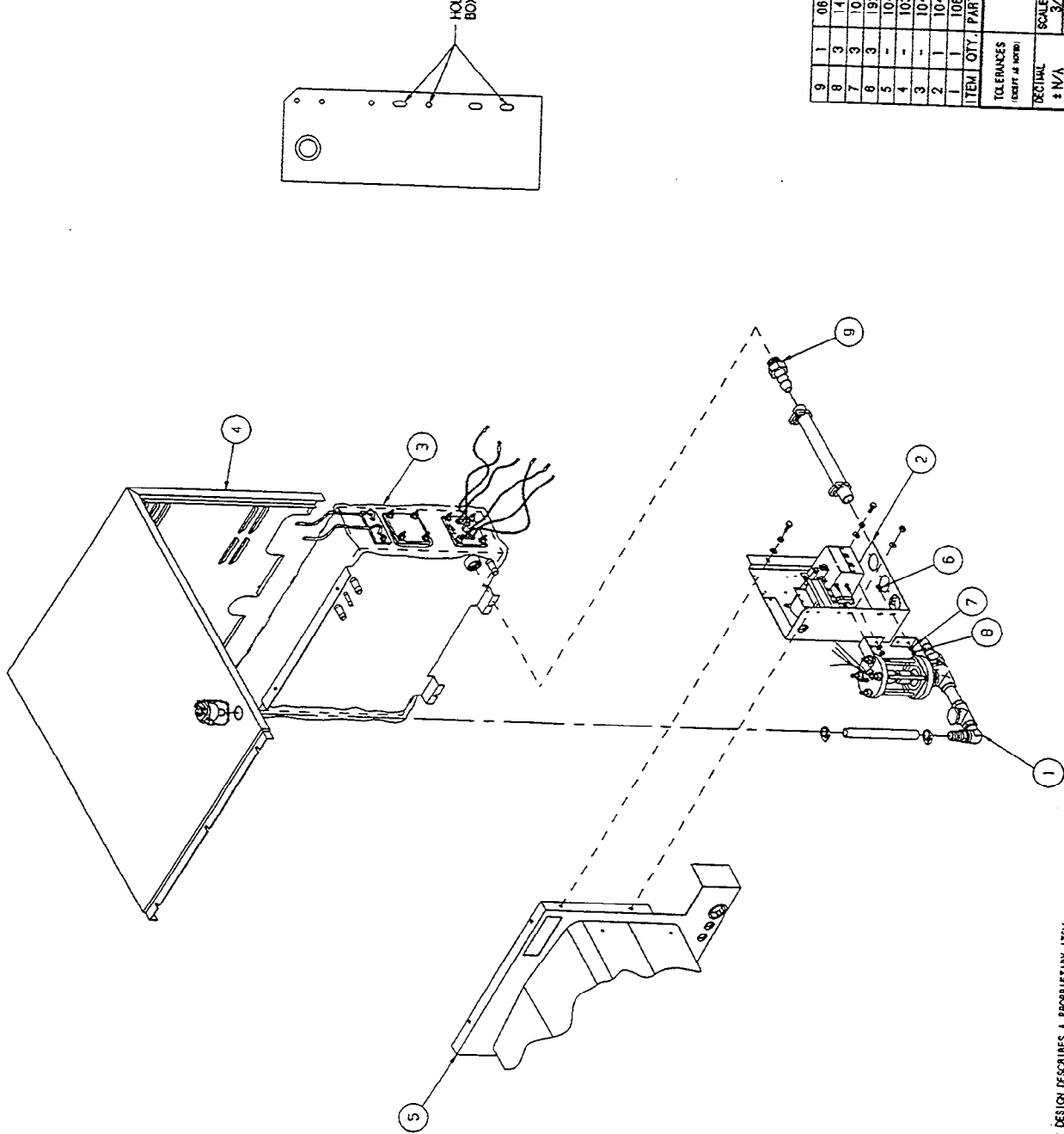
SEE NOTE 1

ITEM	QTY.	PART NO.	DESCRIPTION
12	1	00934	SEALANT, RECTORSEAL
11	1	1058500600	TUBING, NT-80, 1/4" X 6"
10	1	104381	FITTING, HOSE, 1/4 H X 1/4 MPT, STR.
9	1	106663	FITTING, MALE RUN, 1/4 MPT X 1/4 FPT
8	2	106661	FITTING, HOSE, 1/8 H X 1/4 MPT, STR.
7	1	05235	ELBOW, STREET 1/4 X 90°
6	1	105588	FITTING, TEE, 1/4 H X 1/4 MPT X 1/4 H
5	2	106526	CLAMP, HOSE, 3/8 X 5/8 X 5/16 W
4	3	105786	FITTING, HOSE, 1/4 H X 1/4 MPT, 90°
3	3	22218	SOLENOID VALVE
2	6	101872	SCREW, #8-32 X 1/4 THD, CUT
1	1	104284	BRACKET, MOUNTING

TOLERANCES (EXCEPT AS NOTED)		CLEVELAND RANGE INC. 1393 East 179th St. Cleveland, Ohio 44110-2374	
DECIMAL	± N/A	SCALE	1/2" = 1"
ANGULAR	± 1°	DRAWN BY	ARB
CK		TITLE	VALVE ASSY, WATER INLET SC 3.1 & 5.1, H.L.
		DATE	08-24-93
		DRAWING NO.	B - 106522
		REV.	A

THIS DESIGN DESCRIBES A PROPRIETARY ITEM AND IS THE PROPERTY OF CLEVELAND RANGE. THIS DRAWING IS NOT TO BE COPIED OR USED WITHOUT THE APPROVAL OF CLEVELAND RANGE.

LET.	REVISIONS	DATE	BY

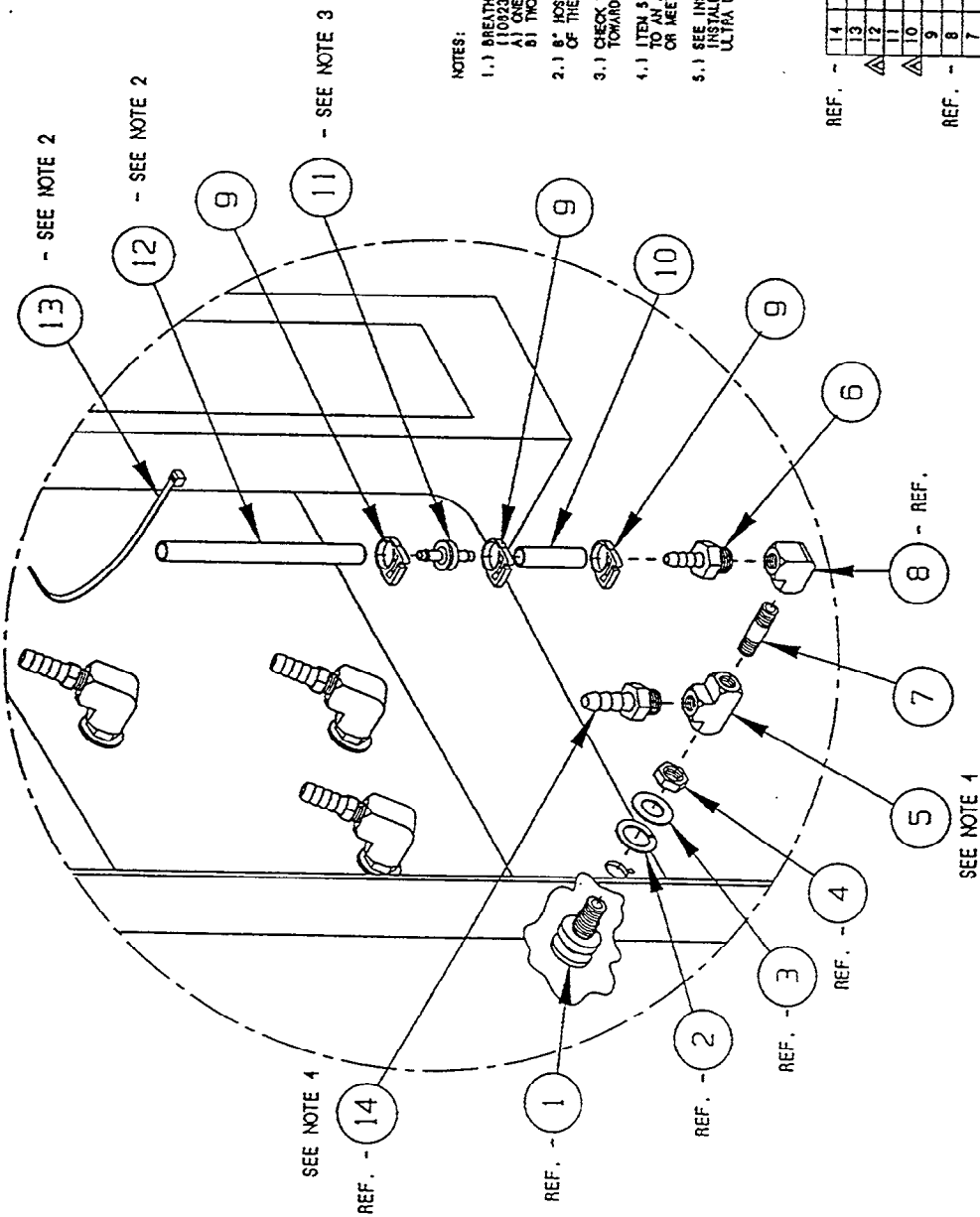


ITEM	QTY.	PART NO.	DESCRIPTION
9	1	08240	FITTINGS, 3/4 H X 3/4 LPT
8	3	14892	NUT, HEX LOCK ELASTIC 10-24
7	3	01655	WASHER, FLAT #10, S/S
6	3	9287	SCREW, PAN HEAD 10-24 X 1/2, S/S
5	-	1040951	CAVITY, WELD ASSY., H.L.
4	-	103942	SHEETING, TOP/BACK
3	-	104090	GENERATOR ASSY.
2	1	104093	COMPONENT PANEL ASSY.
1	1	108227	FLOAT AND DESCALER ASSY.

CLEVELAND RANGE INC. 1333 East 179th St. Cleveland, Ohio 44110-2574	
SCALE 3/2"=1"	DRAWN BY DUTCHMAN
TITLE INSTALLATION OF FLOAT/DESCALER TO COMPONENT BOX ON ULTRA 3 ELECTRIC	APPROVED BY
DATE 07-14-94	DRAWING NO. C - 260AKW
CK	REV. -

THIS DESIGN DESCRIBES A PROPRIETARY ITEM AND IS THE PROPERTY OF CLEVELAND RANGE. IT IS NOT TO BE COPIED OR USED WITHOUT THE APPROVAL OF CLEVELAND RANGE.

LET.	REVISIONS	DATE	BY
A	SEE E.O. 12-2732	12-18-94	PJD



NOTES:

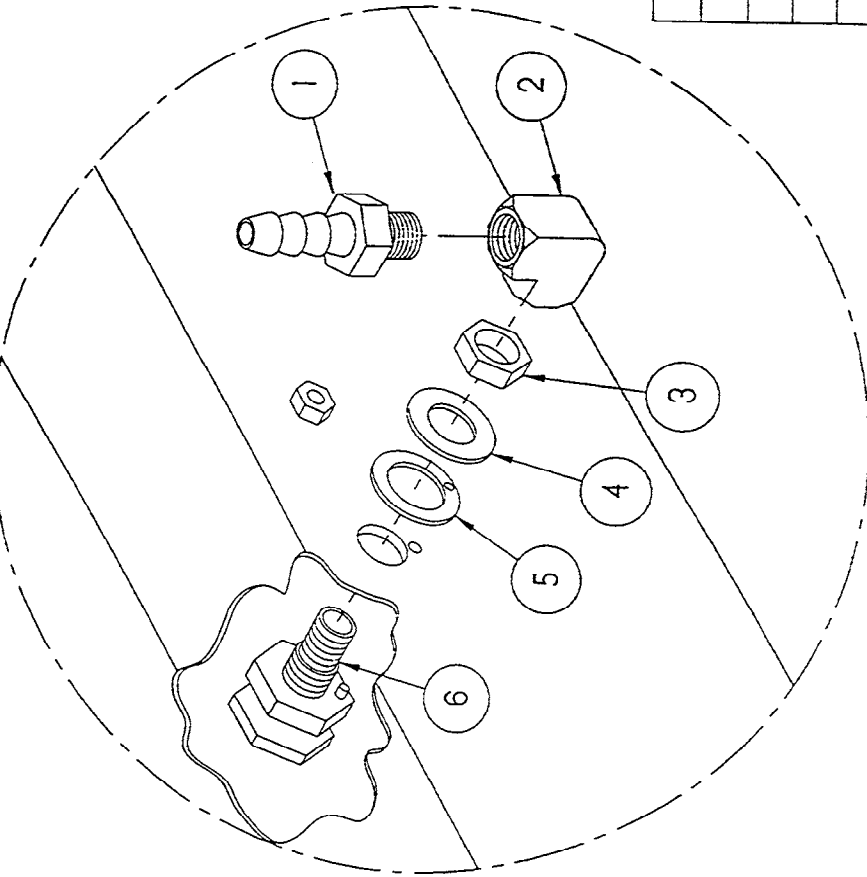
- 1.1 BREATHER ASSY. (1070591) TO REPLACE ONE SPRAY NOZZLE ASSY. (1042011) ONE PLACE PER CABLE ON ALL STEAMCRAFT ULTRA UNITS. ALL ONE COMPARTMENT UNITS • ONE BREATHER ASSY. 51 TWO COMPARTMENT UNITS • TWO BREATHER ASSY.
- 2.1 8" HOSE IS TO BE SECURED WITH NYLON CABLE TO THE HOSE OF THE SPRAY NOZZLE ASSY. DIRECTLY ABOVE THE NEW ASSY.
- 3.1 CHECK VALVE * SIDE WHICH READS "VAC" MUST FACE DOWN TOWARD HOSE BARB
- 4.1 ITEM 5 (P/N 20199) AND ITEM 6 (P/N 1040481) TO BE ROTATED TO AN ANGLE THAT WILL MATCH THE OTHER SPRAY NOZZLES OR MEET A MATING HOSE FITTING
- 5.1 SEE INSTRUCTIONAL DRAWINGS 280ALB1-280ALB7 FOR INSTALLATION OF THIS ASSEMBLY INTO THE STEAMCRAFT ULTRA UNITS.

REF.	ITEM QTY.	PART NO.	DESCRIPTION
14	-	104048	FITTING, 1/2 HOSE X 1/4 IPT
13	1	20451	TIE, NYLON CABLE
12	1	1043790300	HOSE, SILICONE 1/4 ID X 1/2 OD X 3
11	1	107032	CHECK VALVE, PLASTIC DIAPHRAGM
10	1	1043790300	HOSE, SILICONE 1/4 ID X 1/2 OD X 3
9	3	104383	CLAMP, HOSE, NYLON
8	-	05238	ELBOW, 1/4 X 90°, BRASS
7	1	14411	NIPT, 1/4 X 1.5", BRASS
6	1	104381	FITTING, 1/4 HOSE X 1/4 IPT
5	1	20199	TEE, 1/4 BRASS
4	-	104081	NIPT, HEX JAW 5/8-18 BRASS
3	-	104232	WASHER, FLAT 5/8
2	-	104082	GASKET, STEAM INJECTOR
1	-	104009	FITTING ASSY., STEAM SUPPLY

TOLERANCES UNLESS SHOWN		CLEVELAND RANGE INC.	
DECIMAL	3/16±1	DRAWN BY	DUTCHMAN
ANGULAR	# N/A	APPROVED BY	
ANGULAR	# N/A	TITLE	BREATHER/SPRAY NOZZLE ASSY (1/2" HOSE) STEAMCRAFT ULTRA 3, 5 & 10
DATE	09-15-94	DRAWING NO.	C - 1070591
REV.	A		

THIS DESIGN DESCRIBES A PROPRIETARY ITEM AND IS THE PROPERTY OF CLEVELAND RANGE. THIS DRAWING IS NOT TO BE COPIED OR USED WITHOUT THE APPROVAL OF CLEVELAND RANGE.

LET. REVISIONS DATE BY

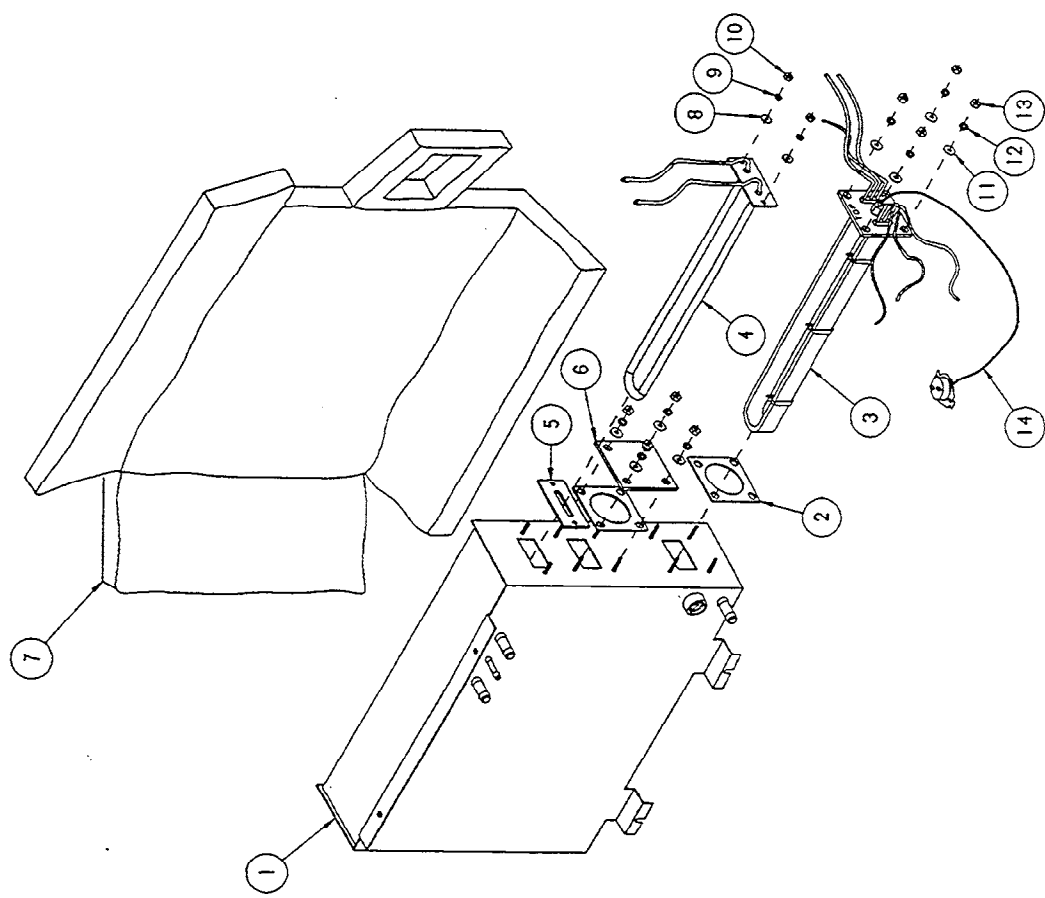


TYPICAL APPLICATION

THIS DESIGN DESCRIBES A PROPRIETARY ITEM AND IS THE PROPERTY OF CLEVELAND RANGE. THIS DRAWING IS NOT TO BE COPIED OR USED WITHOUT THE APPROVAL OF CLEVELAND RANGE.

6	1	104009	FITTING, ASSY, STEAM SUPPLY
5	1	104082	GASKET, STEAM INJECTOR
4	1	104232	WASHER, FLAT S/S
3	1	104081	NUT, JAM 5/8-18, BRASS
2	1	05236	ELBOW, 1/4" X 90°, BRASS
1	1	104048	FITTING, HOSE 1/2 H X 1/4 MPT
ITEM	QTY.	PART NO.	DESCRIPTION
<p>TOLERANCES (EXCEPT AS NOTED)</p> <p>DECIMAL ± .030</p> <p>ANGULAR ± 1°</p>			
<p>CLEVELAND RANGE INC.</p> <p>1333 East 179th St. Cleveland, Ohio 44110-2574</p>		<p>SCALE 1/2"</p> <p>DRAWN BY DUTCHMAN</p> <p>APPROVED BY THOMPSON</p>	<p>TITLE</p> <p>SPRAY NOZZLE ASSEMBLY</p> <p>STEAMCRAFT 3.1, 5.1 AND 10</p>
CK	02-12-93	DRAWING NO. A - 1062301	REV.

LET.	REVISION	DATE	BY
A	CHANGED QTY. ON 23118, 23105, 14611 CHANGED PART NO. ON 16548, PER E.O. 11517	8-01-90	RM
B	ADDED 104308 : CHANGED 104308 : E.O. C-1189	9-29-90	RM
C	01128 CHANGED TO QTY. 2, ADDED P/N FOR 104388, PER E.O. 11794	10-02-90	RR
D	REVISED ITEMS, REVISED 104089 & 104091 PICTORIAL ; PER E.O. 1818	2-12-91	PO
E	ADDED HEATER & ELEMENT VARIATIONS AND ADDED P/N 103731 TO PARTS LIST, P/N 104091 PICTORIAL REVISED, PER E.O. 4C-2271	01-12-93	PJD
F	P/N 103877 NS 104091 PER E.O. 4C-2277 NS	02-02-93	PJD
G	REMOVED FLOAT ASSEMBLY IF/AS 103877 05221 & 1040641 PER 4C-2631	03-19-91	PJD



ITEM	QTY.	PART NO.	DESCRIPTION
14	1	103731	CAPILLARY, HI LIMIT
13	8	14618	NUT, HEX, 1/4-20 S/S
12	8	23105	WASHER, LOCK, 1/4 S/S
11	8	23118	WASHER, FLAT 1/4 X 5/8
10	2	14659	NUT, HEX, 10-24 S/S
9	2	23113	WASHER, LOCK, SPLIT RING, OD PLATED, #10
8	2	101655	WASHER, FLAT, #10 S/S
7	1	104080	INSULATION, CUT, GENERATOR 3.1
6	1	16546	COVER PLATE
5	1	104388	GASKET, DRYING ELEMENTS
		1043084	ELEMENT, IMMERSION, 300W, 415 V
		1043083	ELEMENT, IMMERSION, 300W, 380 V
		1043082	ELEMENT, IMMERSION, 300W, 480 V
		1043081	ELEMENT, IMMERSION, 300W, 240 V
		104306	ELEMENT, IMMERSION, 300W, 208 V
		1038815	HEATER ASSY, 8 kw, 380 V
		1038814	HEATER ASSY, 8 kw, 480 V
		1038812	HEATER ASSY, 8 kw, 415 V
		1038811	HEATER ASSY, 8 kw, 240 V
		103881	HEATER ASSY, 8 kw, 208 V
		07128	GASKET
1	1	104089	GENERATOR ASSY, WELD, SC 3.1 HL

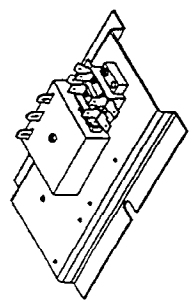
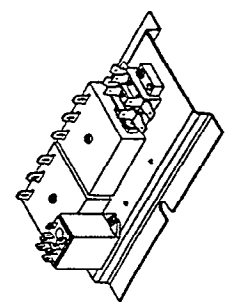
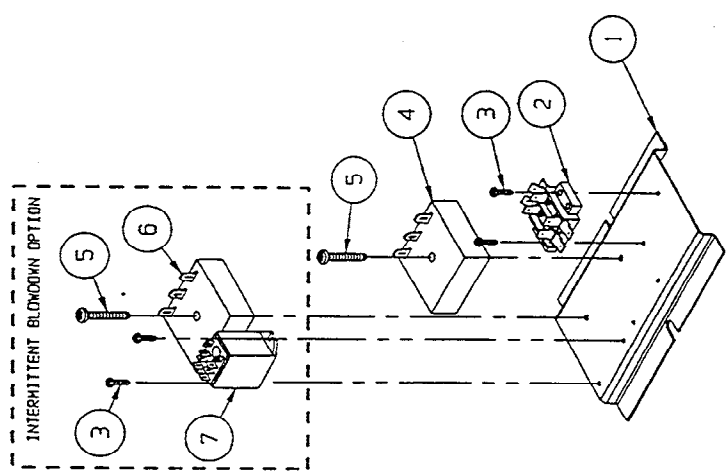
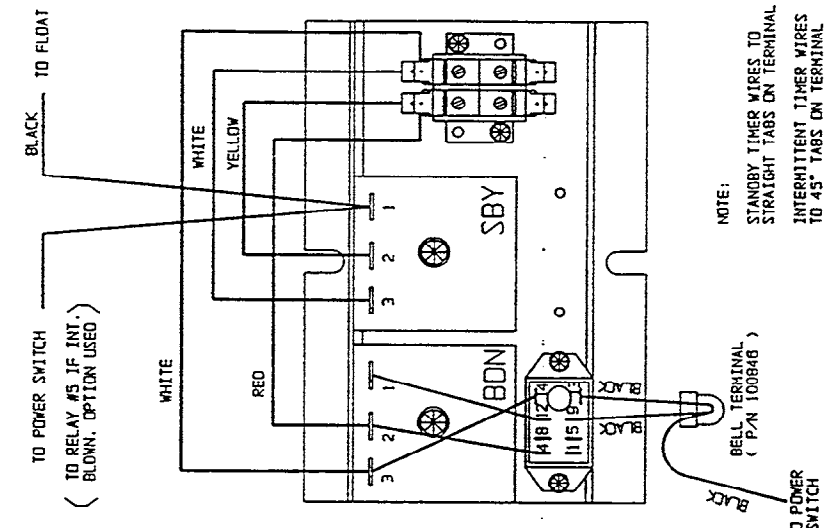
TOLERANCES
 (EXCEPT AS NOTED)
 DECIMAL
 ± .030
 ANGULAR
 ± 1°

SCALE 1/4" = 1"
 DRAWN BY R105
 APPROVED BY
 GENERATOR ASSEMBLY
 STEAMCRAFT 3.1, H.L.

DATE 08-04-90
 DRAWING NO. C - 104090
 REV. G

THIS DESIGN DESCRIBES A PROPRIETARY ITEM
 AND IS THE PROPERTY OF CLEVELAND RANGE.
 THIS DRAWING IS NOT TO BE COPIED OR USED
 WITHOUT THE APPROVAL OF CLEVELAND RANGE.

LET.	REVISIONS	DATE	BY
A	REVISED NOTES PER E.D.	04-14-93	J1 R2
B	REDRAWN & REVISED PER EDUC-2400 R1	06-17-93	P.D
C	ADDED SC 5.1 GAS TIMER	06-02-93	P.D
D	P/N 106541 VAS 104716	11-04-93	CPA



ITEM	QTY.	PART NO.	DESCRIPTION
7	1	105966	RELAY, 120 V. DPDT
6	1	106541	TIMER, 1 MIN ON 0.8 SEC OFF
5	2	106124	SCREW, TORX/SLOT 10-32 X 1.00"
4	1	106580	TIMER, 20 SEC ON, 6 MIN. OFF
3	4	106247	TIMER, 2 SEC ON, 64 SEC OFF
2	1	106127	SCREW, TORX/SLOT 6-32 X 1/2"
1	1	44169	TERMINAL, BLOCK ASM, 2 POLE
		106306	BRACKET, OPTION PLATE

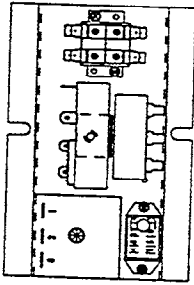
TO-DRAWINGS (FROM)	SCALE	DRAWN BY	APPROVED BY
STEAMCRAFT 3.1	1/2"=1'	DUTCHMAN	
STEAMCRAFT 5.1	N/A		
	ANGULAR		
	N/A		
CK	DATE	03-16-93	REV. 0
			C - 106433

CLEVELAND RANGE INC.
1333 East 179th St., Cleveland, Ohio 44110-2574

HEAT STANDBY PLATE WITH INTERMITTENT BLOWDOWN OPTION
STEAMCRAFT 3.1 & 5.1

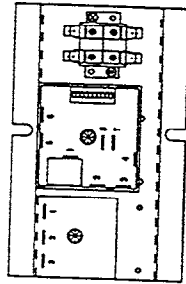
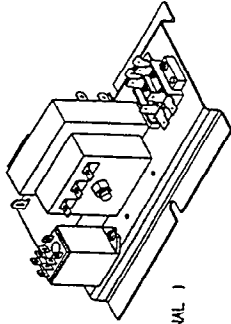
THIS DESIGN DESCRIBES A PROPRIETARY ITEM AND IS THE PROPERTY OF CLEVELAND RANGE. THIS DRAWING IS NOT TO BE COPIED OR USED WITHOUT THE APPROVAL OF CLEVELAND RANGE.

LET.	REVISIONS	DATE	BY
A	REVISED NOTES PER E.O. 10-23	04-14-93	PJD
B	REDRAWN & REVISED PER EOKC-2400 R1	08-17-93	PJD
C	ADDED SC 5.1 GAS TIMER	08-02-93	PJD
D	P/N 108341 WAS 104718	11-01-93	DFA
E	ADDED CONFIGURATION FOR CLEAN LIGHT AND REMOVED SC 5.1 GAS FROM B.O.M. PER E.O. 10-2812	09-15-94	PJD
F	ROTATED TIMERS ON ASSEMBLY 106433 PER E.O. 10-2732	11-29-94	PJD



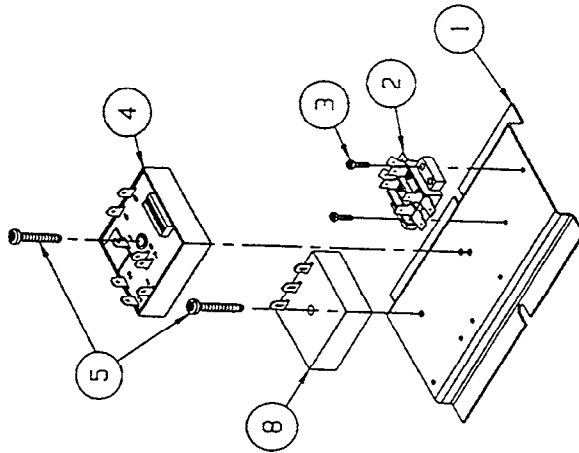
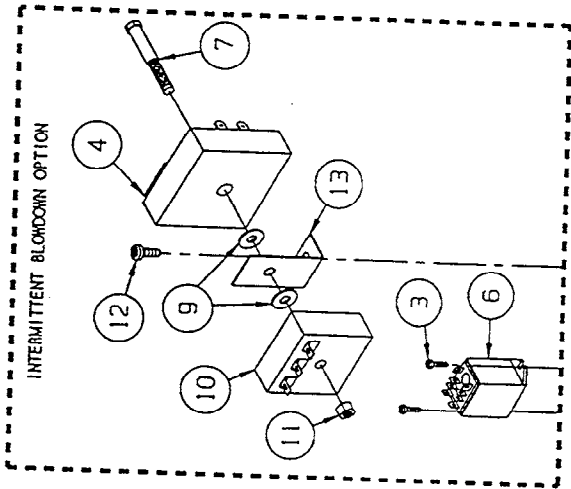
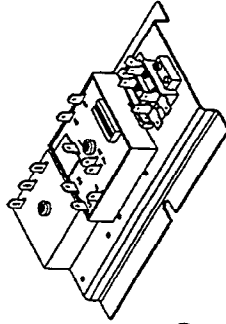
106433

INTERMITTENT BLOWDOWN (OPTIONAL)



1064331

HEAT STANDBY (STANDARD)



ITEM	QTY.	PART NO.	DESCRIPTION
13	-	105955	BRACKET, DUAL TIMER MOUNTING
12	-	106123	SCREW, TORX/SLOT #10-32 X .500" LG.
11	-	14818	NUT, HEX 1/4-20, FULL FINISH
10	-	106541	TIMER, 1 MIN. ON 0.8 SEC. OFF
9	-	23118	WASHER, FLAT 1/4-20 S/S
8	1	108247	INTERVAL TIMER, 2 SEC. ON, 64 SEC. OFF
7	-	106118	BOLT, 1/4-20 X 2-1/4, ZINC PLATED
6	-	105966	RELAY, 120 V. DPDT
5	2	106124	SCREW, TORX/SLOT #10-32 X 1.00" LG.
4	1	106911	TIMER, CLEAN LIGHT (DIP SWITCHES)
3	2	106127	SCREW, TORX/SLOT #6-32 X .500" LG.
2	1	44168	TERMINAL, BLOCK ASM, 2 POLE
1	1	106306	BRACKET, OPTION PLATE

TOLERANCES (UNLESS NOTED)	DESCRIPTION
DIGITAL	INT. BLOWDOWN
± N/A	HEAT STANDBY
ANGULAR	
± N/A	
CK	

CLEVELAND RANGE INC.
1333 East 179th St. Cleveland, Ohio 44110-2574

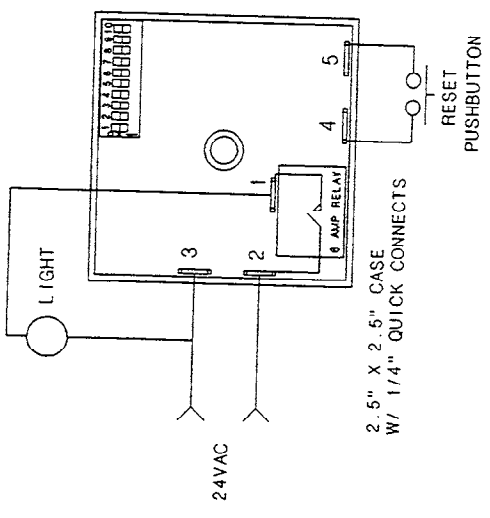
SCALE: 1/2"=1"
DRAWN BY: DUTCHMAN

TITLE: HEAT STANDBY PLATE WITH INTERMITTENT BLOWDOWN OPTION STEAMCRAFT ULTRA 3 & 5 ELEC.

DATE: 03-18-93
DRAWING NO.: C - 106433/106
REV.: F

THIS DESIGN DESCRIBES A PROPRIETARY ITEM AND IS THE PROPERTY OF CLEVELAND RANGE. THIS DRAWING IS NOT TO BE COPIED OR USED WITHOUT THE APPROVAL OF CLEVELAND RANGE.

LET. REVISIONS DATE BY

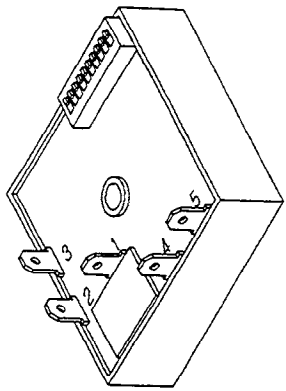


SWITCH #	TIME AMOUNT
1 =	0.5 HR
2 =	1.0 HR
3 =	2.0 HR
4 =	4.0 HR
5 =	8.0 HR
6 =	16.0 HR
7 =	32.0 HR
8 =	64.0 HR
9 =	128.0 HR
10 =	256.0 HR

COMBINE SWITCHES FOR TIME DELAY IN HOURS
 EXAMPLES:
 37 HRS = SWITCH 7 + SWITCH 4 + SWITCH 2
 250 HRS = SWITCH 9 + SWITCH 8 + SWITCH 7
 + SWITCH 6 + SWITCH 5 + SWITCH 3

SOURCE:
 AIROTRONICS
 2747 RT., 20 E. BOX 326
 CAZENOVIA, N.Y. 13035

TYPE: CR-2 TGCB351HSE2
 INPUT: 24 VAC, 6 AMP
 DELAY: 5-511, 5 HR., ON-DLY

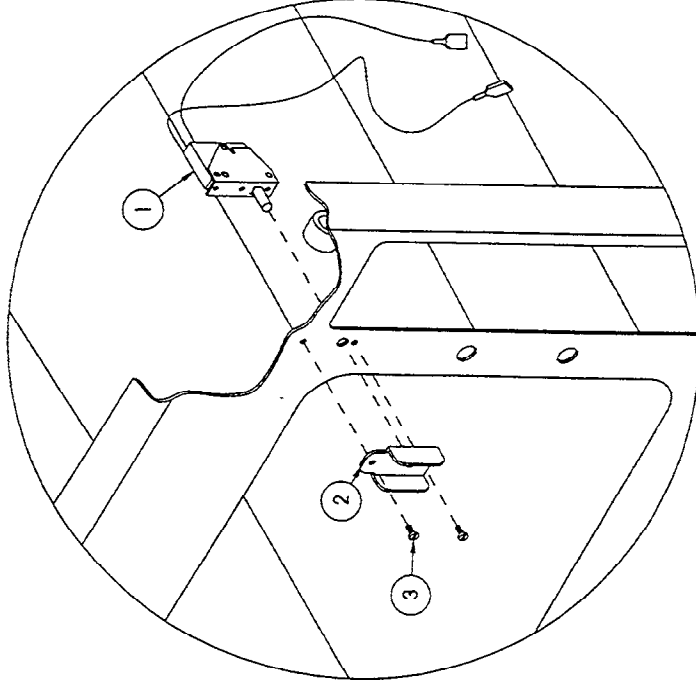


OPERATION:
 SELECT DELAY VIA DIP SWITCH. APPLY 24VAC TO THE TIMER.
 AS THE SUPPLY VOLTAGE IS TURNED ON AND OFF TO THE TIMER,
 THE TIMER WILL KEEP TRACK OF THE ELAPSED TIME THE
 SUPPLY VOLTAGE IS ON. ONCE THE TIMERS SUPPLY VOLTAGE HAS
 BEEN ON LONGER THAN THE SELECTED DELAY THE RELAY WILL
 TRANSFER. THIS IN TURN WILL TURN ON THE INDICATOR LIGHT.
 ONCE THIS HAS HAPPENED THE RESET BUTTON WILL BECOME
 ACTIVE AND ALLOW THE TIMER TO BE RESET.

ITEM	QTY.	PART NO.	DESCRIPTION
TOLERANCES (EXCEPT AS NOTED)			
DECIMAL	± .030	SCALE	1=1
ANGULAR	± 1°	TITLE	TIMER, CLEAN LIGHT (DIP SWITCHES)
CK	05-23-94	DATE	DRAWING NO. B - 106911
TOLEANCES		CLEVELAND RANGE INC., 1333 East 179th St., Cleveland, Ohio 44110-2574	
DRAWN BY		APPROVED BY	
DUTCHMAN			

THIS DESIGN DESCRIBES A PROPRIETARY ITEM
 AND IS THE PROPERTY OF CLEVELAND RANGE.
 THIS DRAWING IS NOT TO BE COPIED OR USED
 WITHOUT THE APPROVAL OF CLEVELAND RANGE.

LET.	REVISIONS	DATE	BY
A	WAS: HIGH LIMIT NOW: FLOAT PER E.O. IC-2381 R1	03-01-93	PJD
B	20351 BLACK WAS FROM FLOAT ONLY PER E.O. IC-2381 R2	04-14-93	PJD



ITEM	QTY.	PART NO.	DESCRIPTION
3	2	105449	SCREW, TRUSS HD. 6-32 X .312, S/S
2	1	105442	GUARD, SWITCH PROTECTION
1	1	104702	SWITCH, CKPT. STEAM SHUT-OFF

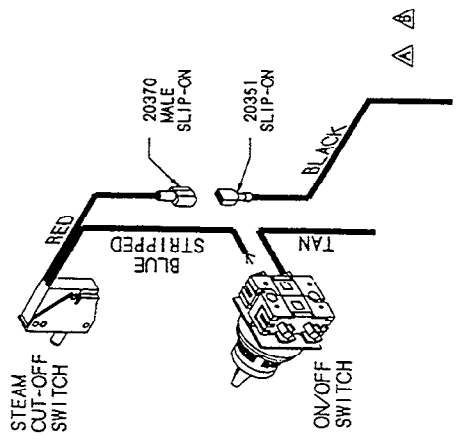
TOLERANCES (UNLESS OTHERWISE SPECIFIED)	DECIMAL	± .030
ANGULAR	± 1°	

SCALE	NAT'S
TITLE	STEAM CUT-OFF OPTION STEAMCRAFT 3.1 AND 5.1

DESIGNED BY	DUTCHMAN
APPROVED BY	

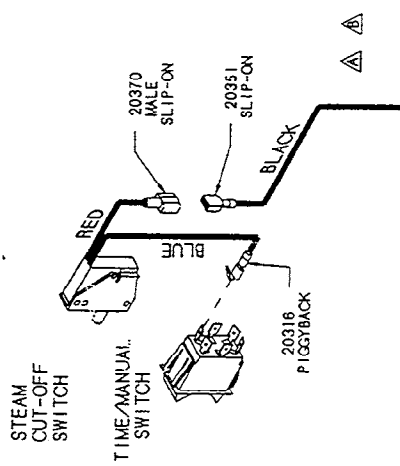
DATE	02-03-93
REV.	B

FOR ON/OFF SWITCH
TIMER



FROM: FLOAT (STANDARD)
GEN. STAND-BY TIMER (SBY OPTION)
BELL TERMINAL (TDS AND SBY OPTIONS TOGETHER)

FOR ELECTRICAL & 60 MINUTE
MECHANICAL TIMERS

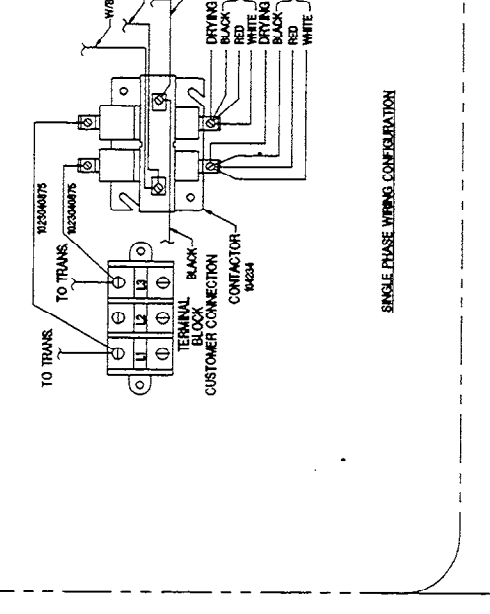
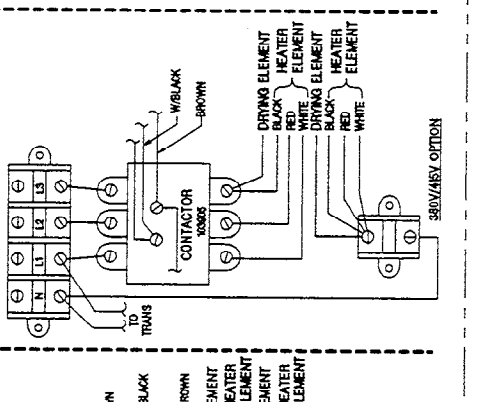
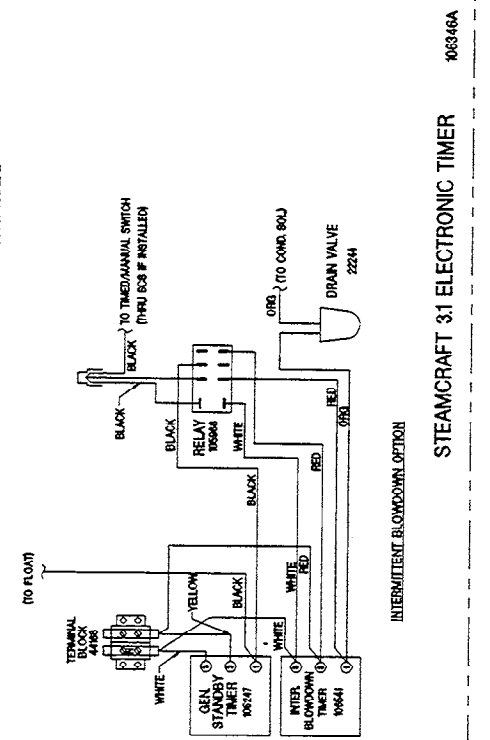
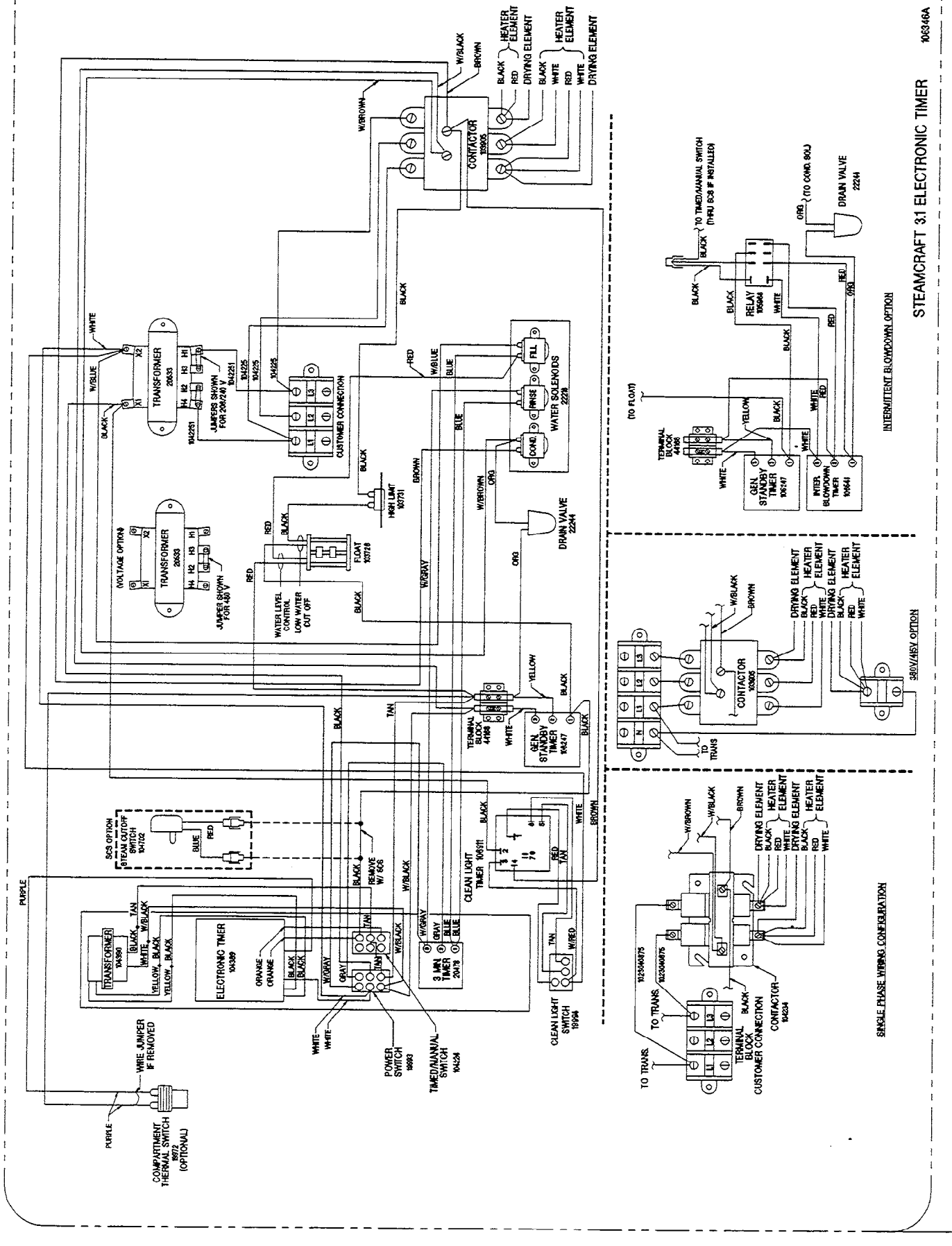


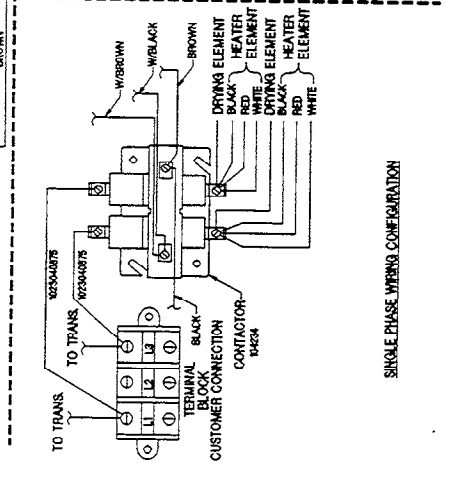
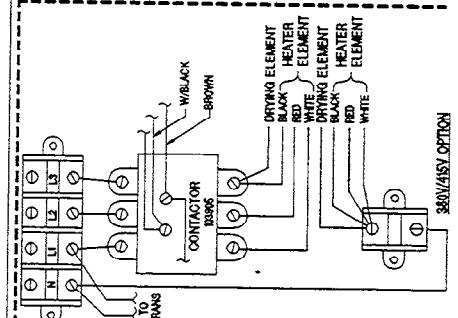
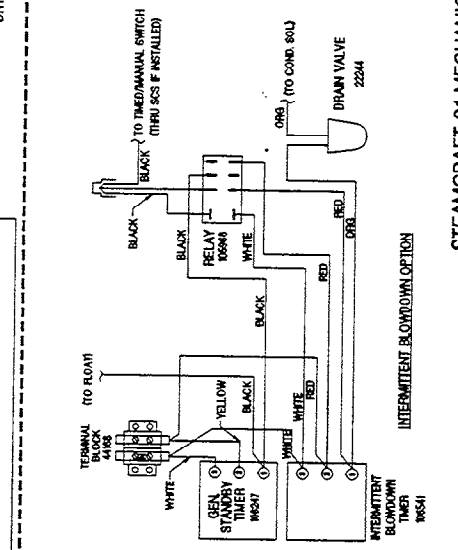
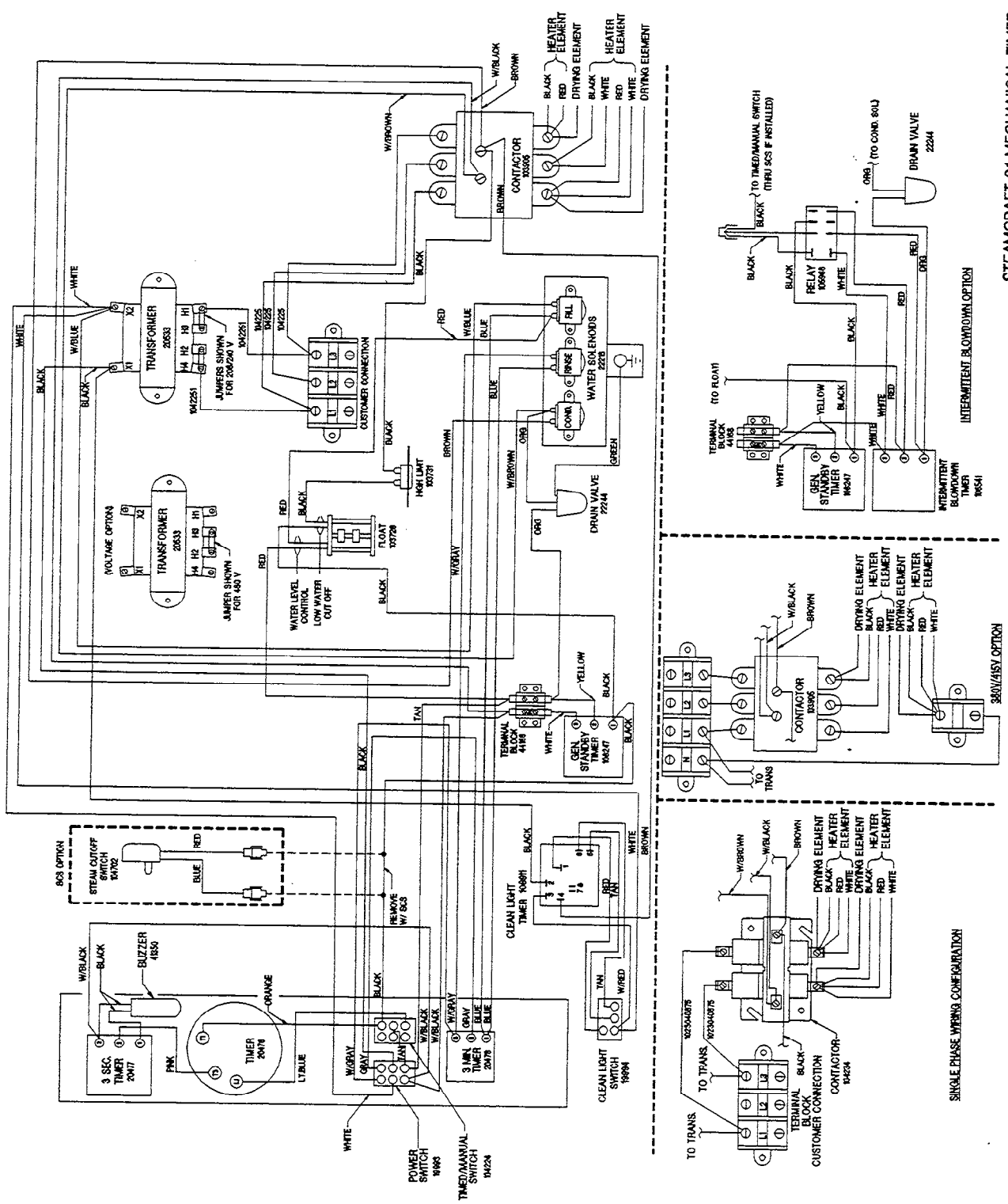
FROM: FLOAT (STANDARD)
GEN. STAND-BY TIMER (SBY OPTION)
BELL TERMINAL (TDS AND SBY OPTIONS TOGETHER)

THIS DESIGN DESCRIBES A PROPRIETARY ITEM AND IS THE PROPERTY OF CLEVELAND RANGE. THIS DRAWING IS NOT TO BE COPIED OR USED WITHOUT THE APPROVAL OF CLEVELAND RANGE.

CLEVELAND RANGE INC.
1333 East 179th St., Cleveland, Ohio 44110-2374

DRAWING NO. C - 10635





SINGLE PHASE WIRING CONFIGURATION

INTERMITTENT BLOWDOWN OPTION

