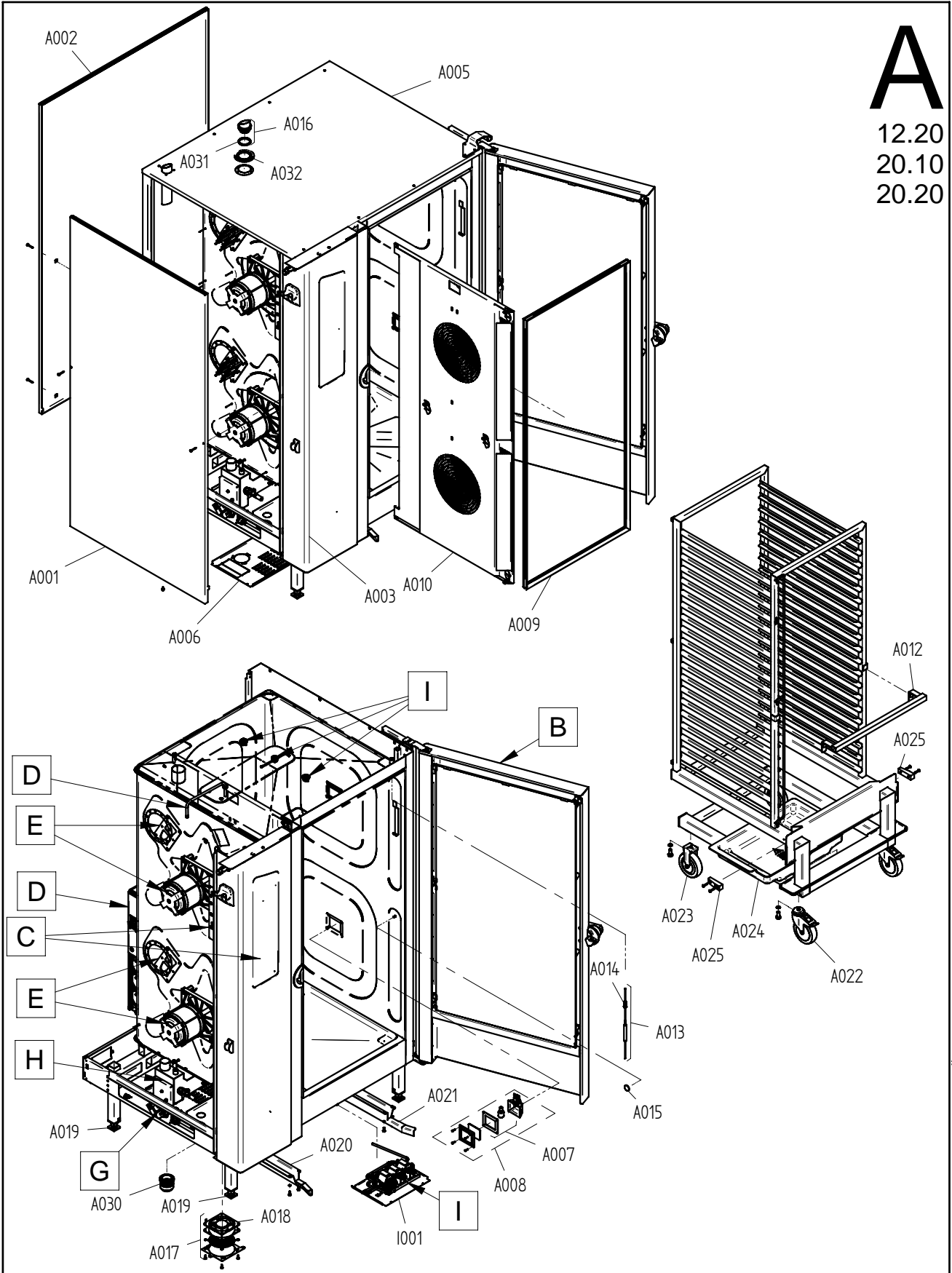


Ersatzteilzeichnung Außengehäuse Standgeräte P3 Spare part drawing outer casing floor units P3

ETZ A - AG 567 P3 1 / 1

A
12.20
20.10
20.20



Art. Nr. 9825277_00 | 14.7.2009 | Änderungen vorbehalten! Changes excepted!

| | |
|-------------------------|---------------------------------------|
| gültig ab / valid from: | Vorgängerversion / previous version: |
| gültig bis / valid to: | Nachfolgeversion / follow-up version: |

Enodis
Talstraße 35
D- 82436 Egfling | Germany

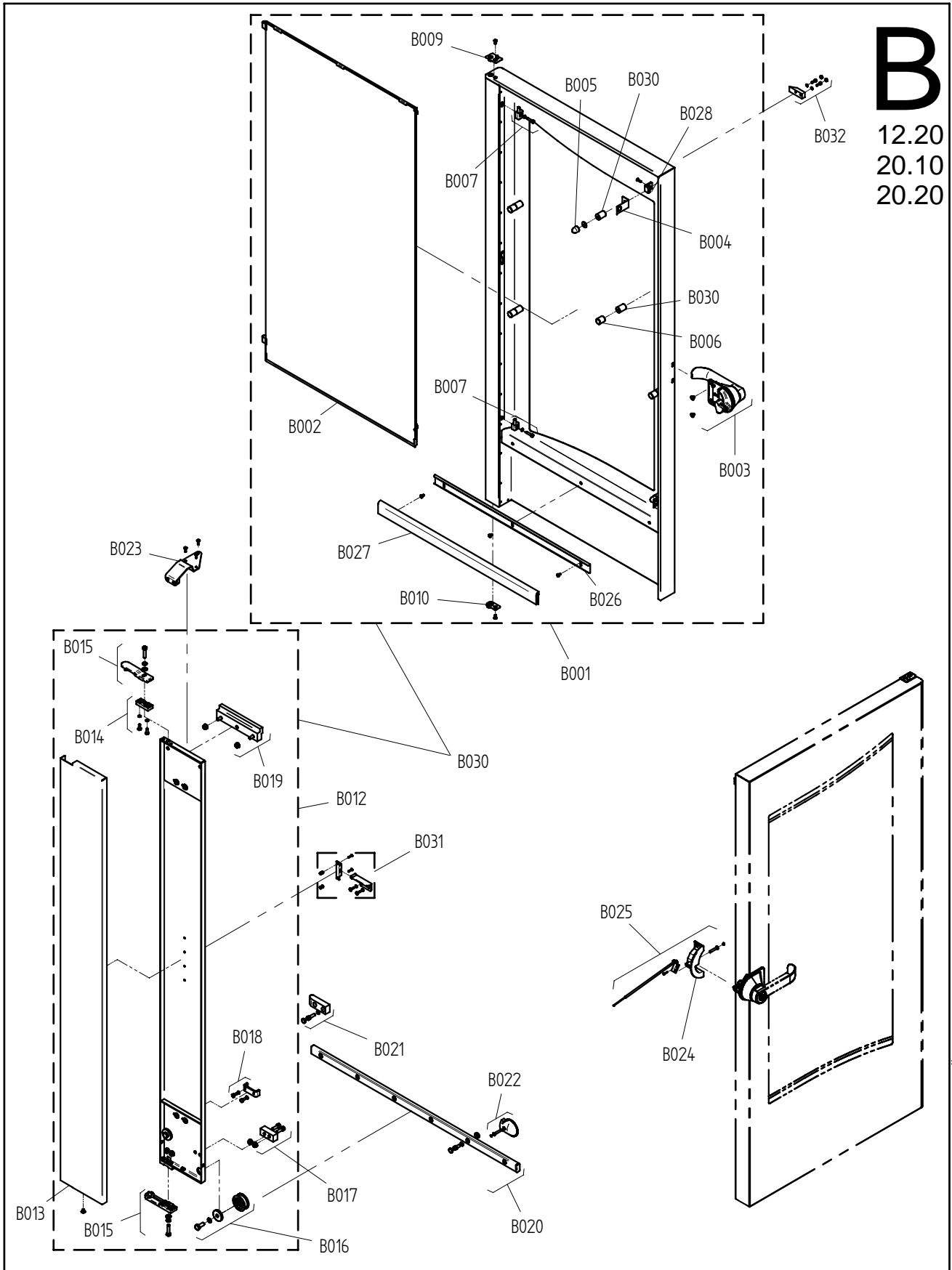
Tel. +49(0)8847/67-0
Fax +49(0)8847/414
info@hotairsteamer.com



Ersatzteilzeichnung Tür Standgeräte P3 Spare part drawing door floor units P3

ETZ B - Tür 567 P3 1 / 1

B
12.20
20.10
20.20



Art. Nr. 9825281_00 | 14.7.2009 | Änderungen vorbehalten! Changes excepted!

| | |
|-------------------------|--------------------------------------|
| gültig ab / valid from: | Vorgängerversion / previous version: |
| gültig bis / valid to: | Nachfolgeverson / follow-up version: |

Enodis
Talstraße 35
D- 82436 Egfling | Germany

Tel. +49(0)8847/67-0
Fax +49(0)8847/414
info@hotairsteamer.com

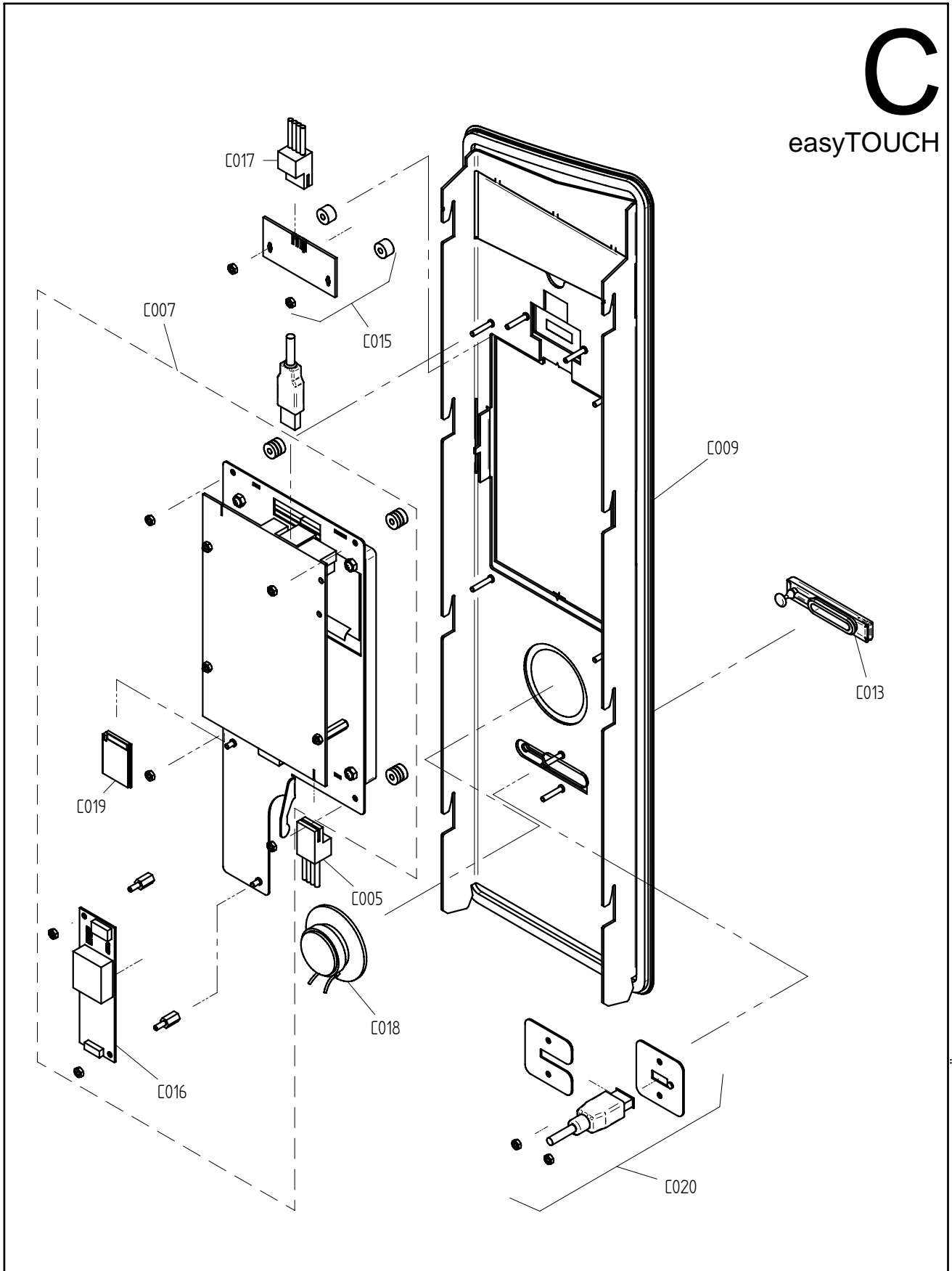


Ersatzteilzeichnung Bedienblende easyTOUCH P3 Spare part drawing operating panel easyTOUCH P3

ETZ C - BM ET P3 1 / 1

C

easyTOUCH



Art. Nr. 9825285_00 | 14.7.2009 | Änderungen vorbehalten! Changes excepted!

| | |
|-------------------------|---------------------------------------|
| gültig ab / valid from: | Vorgängerversion / previous version: |
| gültig bis / valid to: | Nachfolgeversion / follow-up version: |

Enodis
Talstraße 35
D- 82436 Egfling | Germany

Tel. +49(0)8847/67-0
Fax +49(0)8847/414
info@hotairsteamer.com

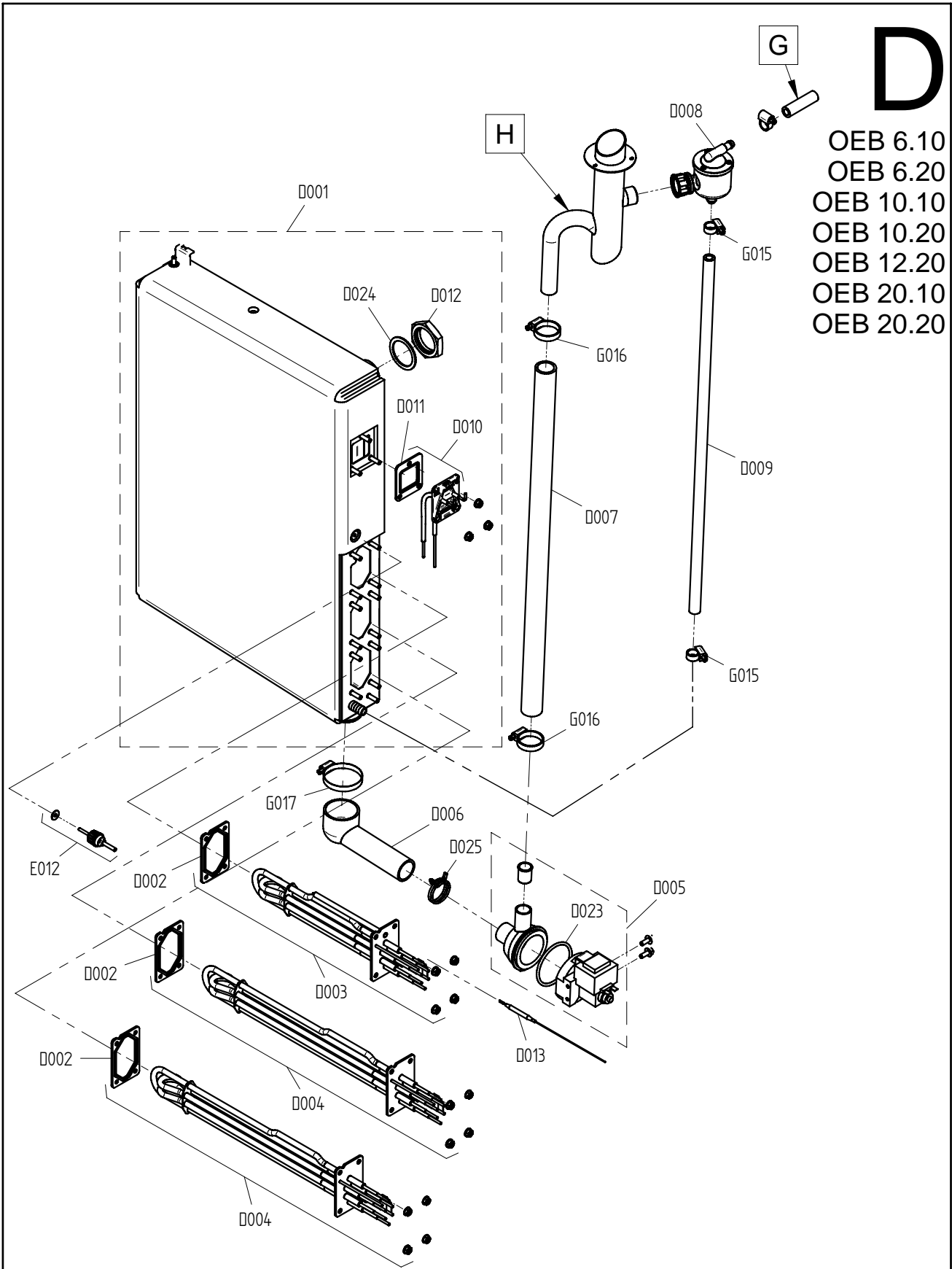


Ersatzteilzeichnung Elektro-Dampferzeuger P3 Spare part drawing electro steam generator P3

ETZ D - DE EB P3 1 / 1

D

OEB 6.10
OEB 6.20
OEB 10.10
OEB 10.20
OEB 12.20
OEB 20.10
OEB 20.20



Art. Nr. 9825290_00 | 14.7.2009 | Änderungen vorbehalten! Changes excepted!

| | |
|-------------------------|---------------------------------------|
| gültig ab / valid from: | Vorgängerversion / previous version: |
| gültig bis / valid to: | Nachfolgeversion / follow-up version: |

Enodis
Talstraße 35
D- 82436 Eglfing | Germany

Tel. +49(0)8847/67-0
Fax +49(0)8847/414
info@hotairsteamer.com

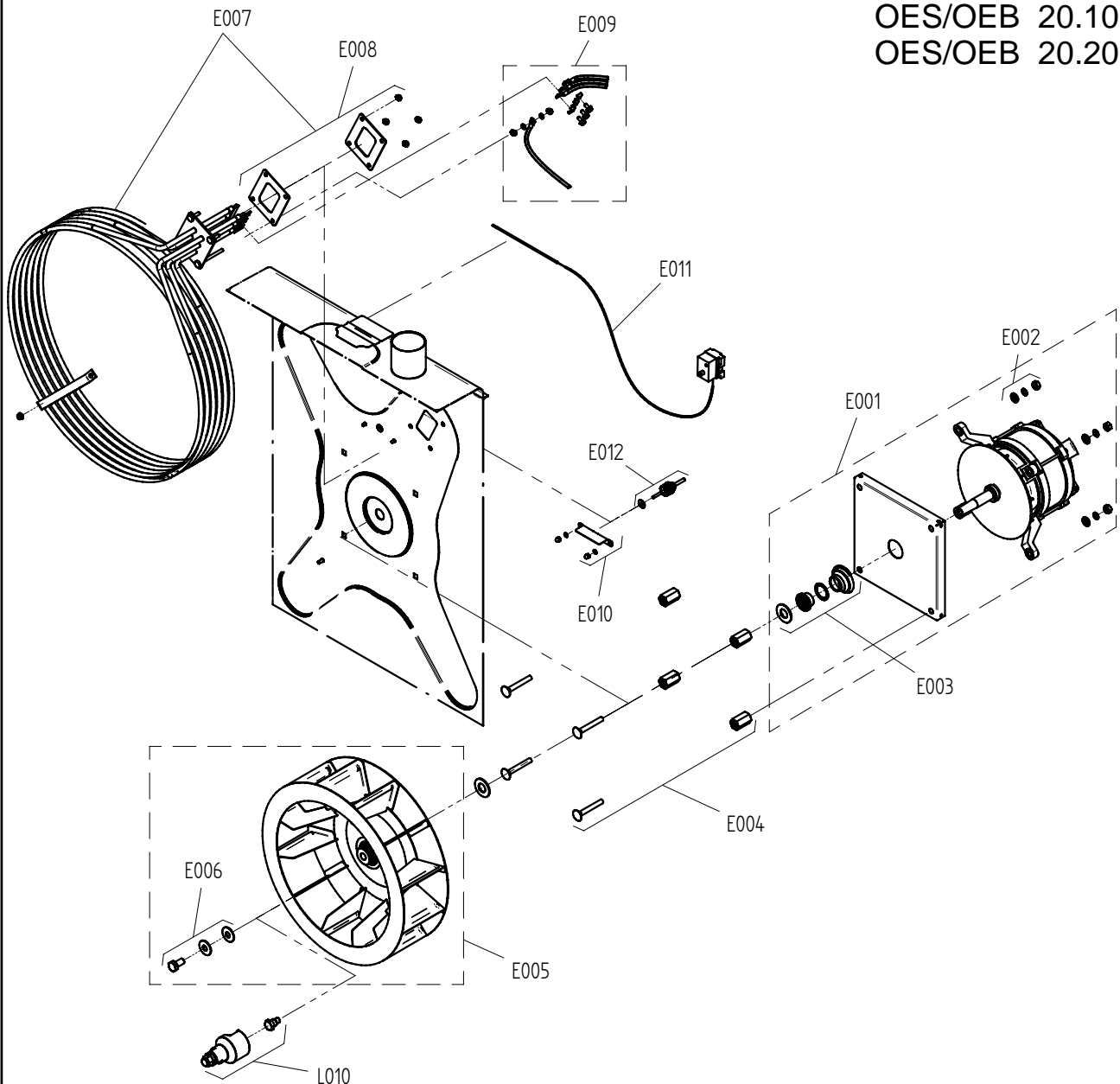


Ersatzteilzeichnung Heissluftherzeugung elektro P3 Spare part drawing electric heating system P3

ETZ E - HL-Heizung EL P3 1 / 1

E

OES/OEB 6.10
OES/OEB 6.20
OES/OEB 10.10
OES/OEB 10.20
OES/OEB 12.20
OES/OEB 20.10
OES/OEB 20.20



Art. Nr. 9825296_00 | 14.7.2009 | Änderungen vorbehalten! Changes excepted!

| | |
|-------------------------|--------------------------------------|
| gültig ab / valid from: | Vorgängerversion / previous version: |
| gültig bis / valid to: | Nachfolgeverson / follow-up version: |

Enodis
Talstraße 35
D- 82436 Eglfing | Germany

Tel. +49(0)8847/67-0
Fax +49(0)8847/414
info@hotairsteamer.com

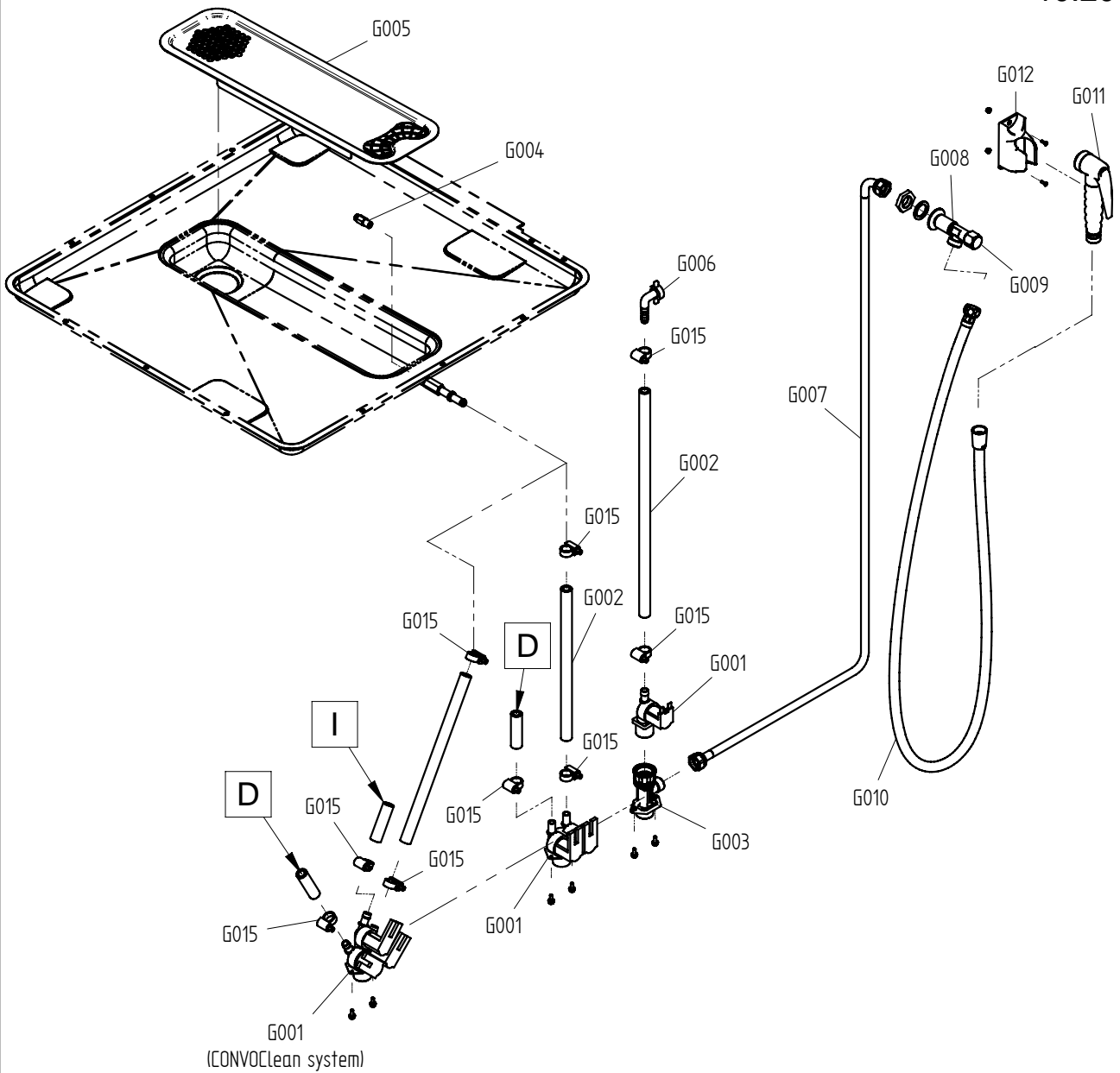


Ersatzteilzeichnung Wasserversorgung Tischgeräte P3
Spare part drawing water supply tabletop units P3

ETZ G - WV P3 1 / 1

G

6.10
6.20
10.10
10.20



Art. Nr. 9825301_00 | 14.7.2009 | Änderungen vorbehalten! Changes excepted!

gültig ab / valid from:
gültig bis / valid to:

Vorgängerversion / previous version:
Nachfolgeverson / follow-up version:

Enodis
Talstraße 35
D- 82436 Eglfing | Germany

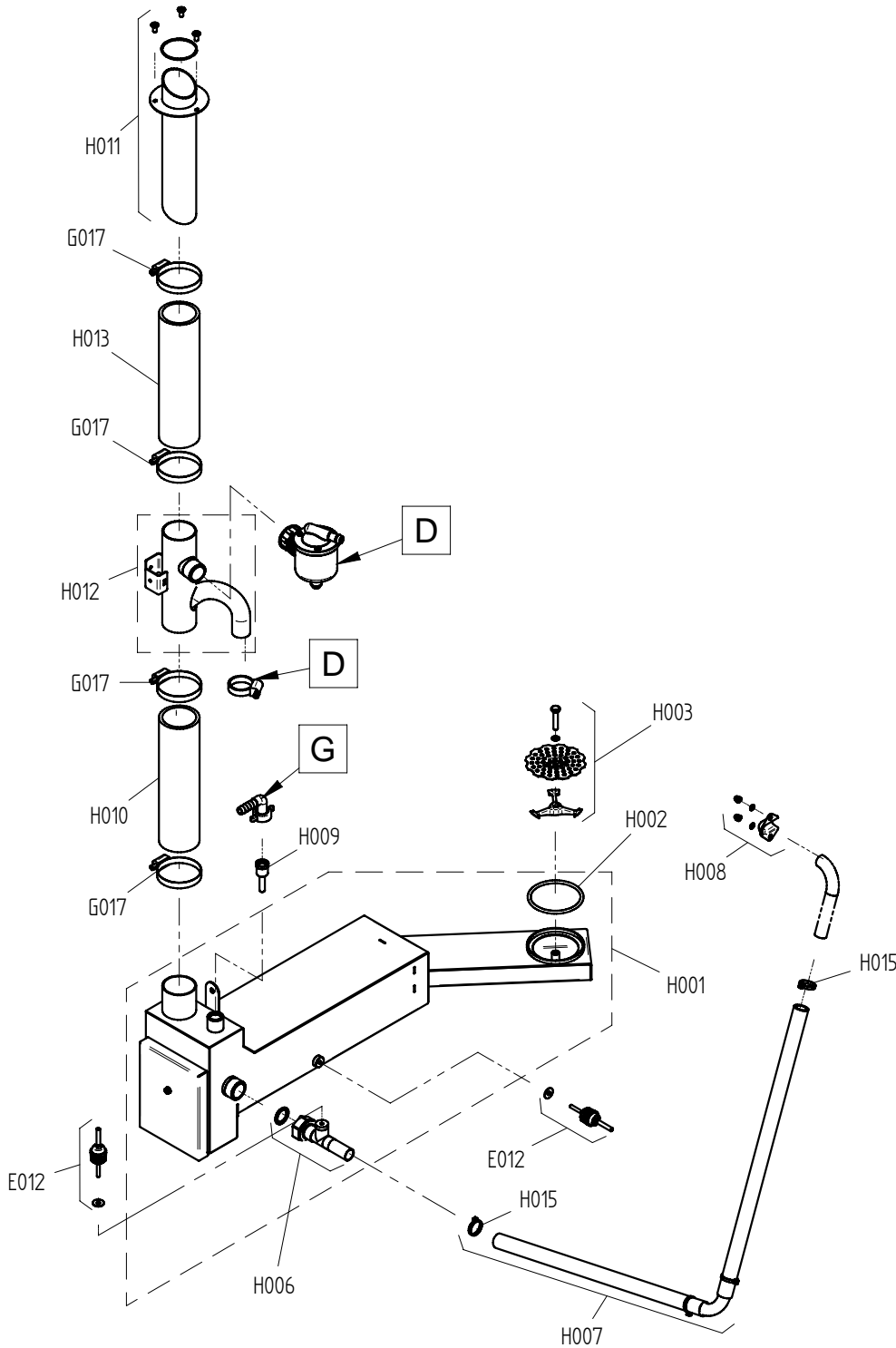
Tel. +49(0)8847/67-0
Fax +49(0)8847/414
info@hotairsteamer.com

Manitowoc

Ersatzteilzeichnung Abwasserentsorgung Standgeräte P3 Spare part drawing sewage disposal floor units P3

ETZ H - Abwasser 567 P3 1 / 1

H
12.20
20.10
20.20



Art. Nr. 9825308_00 | 14.7.2009 | Änderungen vorbehalten! Changes excepted!

| | |
|-------------------------|---------------------------------------|
| gültig ab / valid from: | Vorgängerversion / previous version: |
| gültig bis / valid to: | Nachfolgeversion / follow-up version: |

Enodis
Talstraße 35
D- 82436 Eglfing | Germany

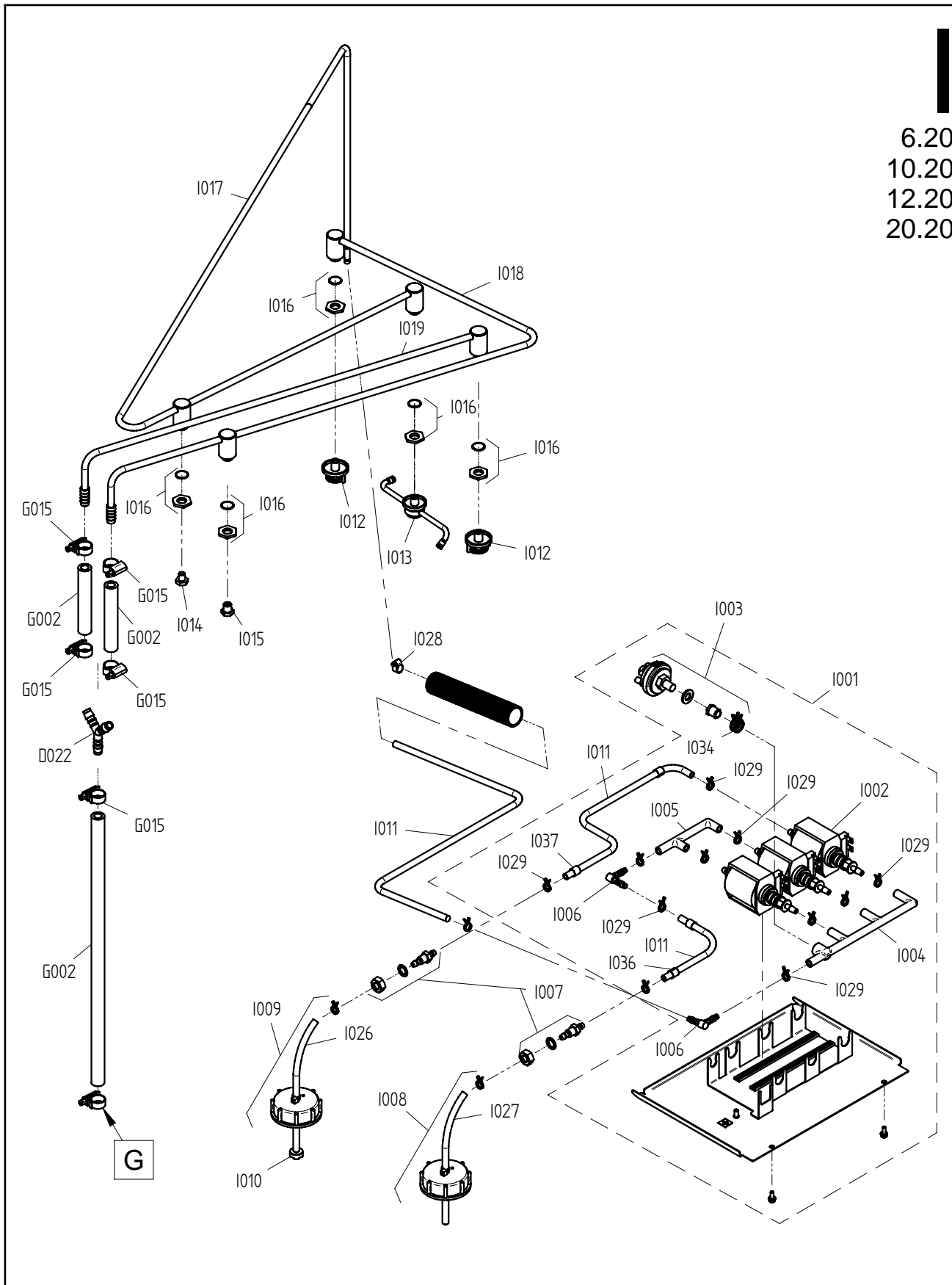
Tel. +49(0)8847/67-0
Fax +49(0)8847/414
info@hotairsteamer.com



Ersatzteilzeichnung CONVOClean system P3 Spare part drawing CONVOClean system P3

ETZ I - CC 2457 P3 1 / 1

6.20
10.20
12.20
20.20



| | |
|-------------------------|---------------------------------------|
| gültig ab / valid from: | Vorgängerversion / previous version: |
| gültig bis / valid to: | Nachfolgeversion / follow-up version: |

Enodis
Talstraße 35
D- 82436 Egfling | Germany

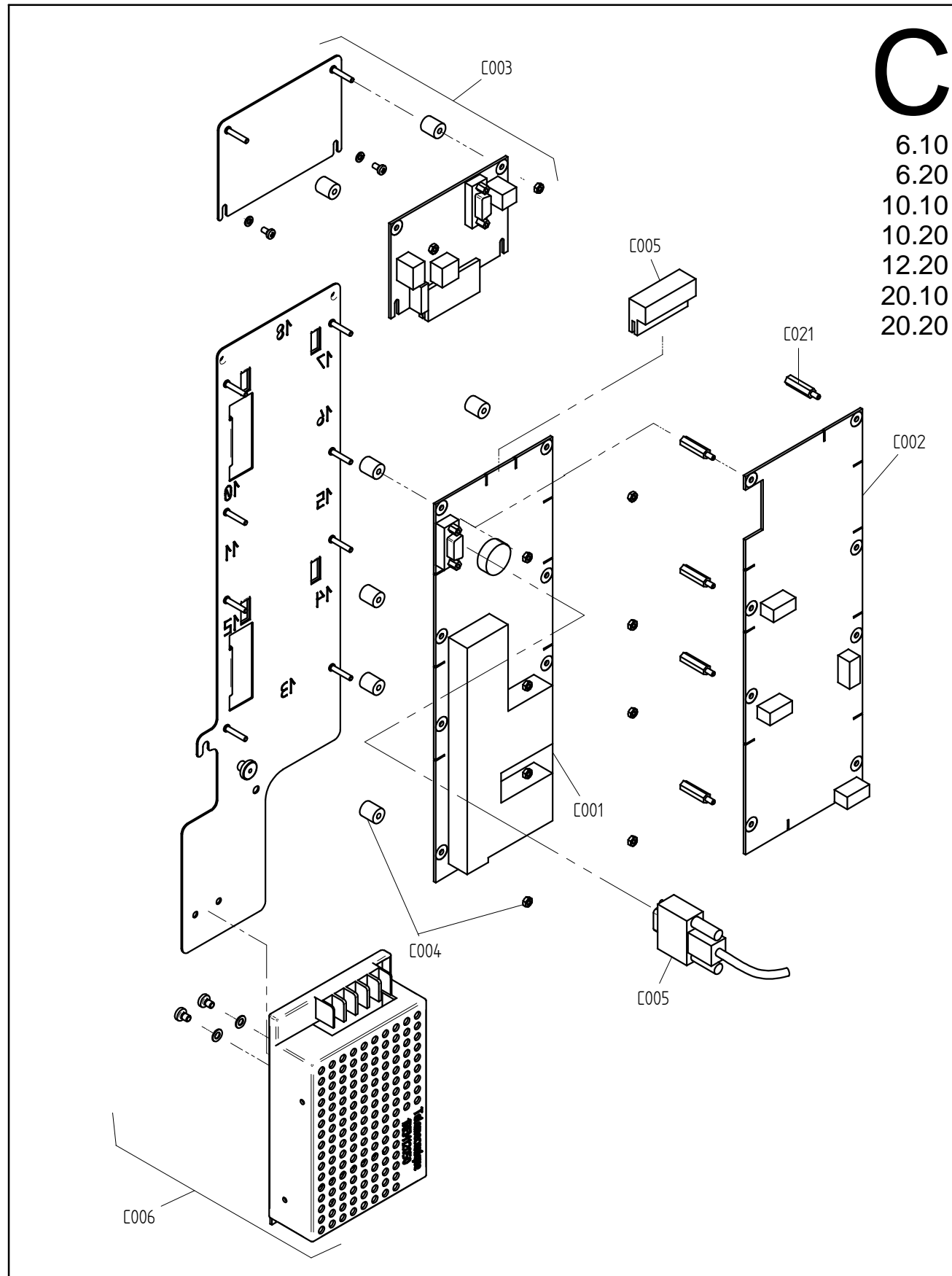
Tel. +49(0)8847/67-0
Fax +49(0)8847/414
info@hotairsteamer.com



Art. Nr. 9825312_00 | 14.7.2009 | Änderungen vorbehalten! Changes excepted!

Ersatzteilzeichnung Steuerung P3 Spare part drawing control boards P3

ETZ C - SM GM NT kpl P3 1 / 1



| | |
|------------------------------------|--|
| gültig ab / valid from: 12.02.2010 | Vorgängerversion / previous version: 9825282 |
| gültig bis / valid to: | Nachfolgeversion / follow-up version: |

Enodis
Talstraße 35
D- 82436 Eglfing | Germany

Tel. +49(0)8847/67-0
Fax +49(0)8847/414
info@hotairsteamer.com



Art. Nr. 9825326_00 | 09.03.2010 | Änderungen vorbehalten! Changes excepted!

| | | |
|------|------------|---|
| A001 | - 2117415 | - Left side panel 12.20 P3 |
| A002 | - 2117435 | - Rear panel OES/OEB/OGS 12.20 |
| A003 | - 2115445 | - Front section 12.20 P3 |
| A004 | - 2114635 | - Rear left corner section 12.20 P3 |
| A005 | - 2114704 | - Cover OES/OEB 12.20/20.20 |
| A006 | - 2119228 | - Condenser cover P3 |
| A007 | - 2618779 | - 230V 25W light bulb set with seal |
| A008 | - 2618780 | - Oven-compartment light set including reflector |
| A009 | - 7011006 | - Door hygienic plug-in gasket 12.20 P3 |
| A010 | - 2224937 | - Suction panel OEB/OGB 12.20 for fan wheel, diameter 385 mm P3 |
| A012 | - 3310394 | - Handle for loading trolley 12.20/20.20 P3 |
| A013 | - 5013001 | - Multipoint core temperature sensor with screw connection P3 |
| A014 | - 6015026 | - Seal for core temperature sensor P3 |
| A015 | - 2004035 | - Cable holder for core temperature sensor |
| A016 | - 2608962 | - Low pressure cutout P3 |
| A017 | - 2216090 | - Secondary fan P3 with fixing accessories |
| A018 | - 5018040 | - Secondary fan P3 |
| A019 | - 6014042 | - Appliance foot for P3 free-standing appliances, adjustable height |
| A020 | - 2115477 | - Left wheel-in rail 12.20/20.20 P3 |
| A021 | - 2115476 | - Right wheel-in rail 12.20/20.20 P3 |
| A022 | - 6014051 | - Fixed castor for loading trolley P3 |
| A023 | - 6014052 | - Swivel castor for loading trolley with brake function P3 |
| A024 | - 3015001 | - Condensate collecting tray 12.20/20.20 P3 |
| A025 | - 2004234 | - Wheel-in ramp for loading trolley P3 |
| A029 | - 7003066 | - Gasket 9x3mm |
| A030 | - 5016030K | - Cable gland M63, reduced |
| A031 | - 6005068 | - 44x5 mm seal for low pressure cutout P3 |
| A032 | - 6005427 | - Grommet, diameter 83 (DG 60) |
| B001 | - 2520414 | - Door assembly 12.20 P3 |
| B003 | - 2525040 | - Door handle P3 Hygienic antibacterial w.fixing accessories |
| B004 | - 6015249 | - Catch for interior door of free-standing appliances P3 |
| B005 | - 2014005 | - Silicon door clip P3 |
| B006 | - 6015200 | - Door spacer P3 |
| B009 | - 2014007 | - Hinge plate for top of door P3 |
| B010 | - 2014003 | - Hinge plate for bottom of door P3 |
| B012 | - 2614803 | - Slide panel assembly for disappearing door 12.20 P3 |
| B013 | - 2123273 | - Slide panel cover for disappearing door 12.20 P3 |
| B014 | - 2619152 | - Catch block on slide panel for disappearing door P3 with fixing accessories |
| B015 | - 2523667 | - Top and bottom hinge arm P3 with fixing accessories |
| B016 | - 2619141 | - Guide roller for disappearing door P3 with fixing accessories |
| B017 | - 2619156 | - Retaining block for disappearing door P3 with fixing accessories |
| B018 | - 2619153 | - Door stop for disappearing door P3 with fixing accessories |
| B019 | - 2619154 | - Support bar for disappearing door P3 with fixing accessories |
| B020 | - 2619139 | - Guide rail for disappearing door 20.10 P3 with fixing accessories |
| B021 | - 2619155 | - Guide strip for disappearing door P3 with fixing accessories |
| B022 | - 2117280 | - Buffer for disappearing door P3 with fixing accessories |
| B023 | - 2614750 | - Guide fixing bracket for door on free-standing appliances P3 |
| B024 | - 2216070 | - Door catch block P3 with fixing accessories |
| B025 | - 2518798 | - Door contact switch OES mini |
| B026 | - 2514385 | - Channel for crosswise door gasket 12.20/20.20 P3 |
| B027 | - 7001077 | - Crosswise door gasket 12.20/20.20 P3 |
| B028 | - 6015204 | - Brace for door on free-standing appliances P3 |
| B029 | - 6015201 | - Door spacer pin P3 |
| B030 | - 2619146 | - slide panel 12.20 P3 including guide rail and fixing accessories |
| B033 | - 6002056 | - Plastic plug for door latch |
| C001 | - 5019406 | - 5010 controller for SM control module P3 |
| C004 | - 2618785 | - Fixing accessories for controller P2 P3 OES mini |
| C005 | - 5009304 | - Connecting cable between control module and operating module P2 P3 |
| C005 | - 5019322 | - Data cable between easyTOUCH operating module and control module P3 |
| C006 | - 2619973 | - Retrofit kit for supply module (P2, P3, OES mini) |
| C007 | - 2126353 | - 7010 controller for easyTOUCH LED operating module P3 and OES mini |
| C009 | - 2126350 | - easyTOUCH LED "CONVOTHERM" front panel OEB/OGB |
| C013 | - 6016521 | - Plug-in cover for USB port easyTOUCH |
| C015 | - 2119918 | - easyTOUCH main switch with fixing accessories |
| C017 | - 5019323 | - Power cable for easyTOUCH operating module |
| C018 | - 5019327 | - Loudspeaker for 7000 controller easyTOUCH |
| C019 | - 4008099 | - Memory card for easyTOUCH operating module |
| C020 | - 2119921 | - USB port for 7000 controller easyTOUCH with fixing accessories |
| C021 | - 8014000 | - Spacer pin M3 20 mm |
| D001 | - 2317308 | - Steamgenerator assemblyOEB10.20/12.20/20.10exc.immersion heat.fixg.access. |
| D002 | - 6015023 | - Gasket for immersion heater P3 |
| D003 | - 2619179 | - Immersion heater9.9kW230Vstar connection,420mmlongP3, with fix.accessories |
| D004 | - 2619179 | - Immersion heater9.9kW230Vstar connection,420mmlongP3, with fix.accessories |
| D005 | - 5008079K | - Steam-generator emptying pump 200/240V with fixing accessories |

D006 - 6015100K - Right-angle drain pipe for steam generator P3 with fixing accessories
 D007 - 7012018 - Steam-generator downpipe P3
 D008 - 6016500 - Return-flow protection for steam generator P3
 D009 - 7012086 - 1/2" pipe for filling the steam generator P3
 D010 - 5019000K - Dual-level sensor P3 with fixing accessories
 D011 - 6015040 - Gasket for dual-level sensor P3
 D012 - 6006092 - Hexagonal nut R1 1/4" for steam-generator screw coupling
 D013 - 5002103 - Thermal-cutout thermocouple for steam generator P3
 D022 - 6015400 - Pipe Y-connector 3/8"
 D024 - 6005025 - Gasket 42.5x54x2 (1 1/4") for steam generator P3
 D025 - 8009057 - Wire clip 36 mm
 E001 - 2617285 - Motor 380/415V 10.20/12.20/20.20 P3 with reduced fan speed
 E002 - 2617294 - Set of fixing parts for motor and fan P3
 E003 - 2617295 - Set of seals for motor shaft P3
 E004 - 2625109 - Set of motor pins P3
 E005 - 2625187 - Fan wheel, diameter 385 mm P3 with fixing accessories
 E006 - 2617293 - Set of fan fixing parts P3
 E007 - 2619177 - Tubular heater 2x16.5kW/230V star connection, diam.490 mm P3, +fix.accessories
 E008 - 2623227 - Gasket for tubular heater 6.20/10.20/12.20/20.20 P3 with fixing accessories
 E009 - 2623219 - Set of power leads for tubular heater P3 (connected as per cable)
 E011 - 5001041 - Oven thermal cutout (340°C)
 E012 - 5016014K - Thermocouple sensor P3 / OES mini
 G001 - 5011000 - Triple solenoid valve, straight 220/240V
 G001 - 5001059 - Single solenoid valve, straight 220/240V
 G002 - 7002033 - Hot water pipe 3/8"
 G003 - 5011003 - Water supply T-connector 2x3/4" 1x1/2" P3
 G004 - 2013002 - Dehumidifier nozzle P3
 G005 - 2216796 - Demoisturising tray cover P3
 G006 - 6015215 - Right-angle pipe connector 3/8" with washer
 G007 - 2016114 - Pipeline for hand-shower connection 12.20 P3
 G008 - 6014003 - Angle valve for hand shower 1/2" P3
 G009 - 6014006 - Rotary cap for angle valve 1/2" P3
 G010 - 7012072 - Hand-shower hose 6.10 / 6.20 / 12.20 / OES 6.10 mini / 10.10 mini
 G011 - 6005005 - Hand-shower hose, free-standing appliances P3
 G012 - 2002042 - Hand-shower holder, free-standing appliances P3
 G015 - 6006086 - Hose clip 12-22mm
 G016 - 6006087 - Hose clip 25-40mm
 G017 - 6006089 - Hose clip 40-60mm
 H001 - 2012110K - Condenser for free-standing appliances P3 with fixing accessories
 H002 - 6015000 - Condenser seal P3
 H003 - 2425112 - Fixing parts for condenser P3
 H006 - 2016007K - Bypass measuring pipe P3 with fixing accessories
 H007 - 2016004K - Bypass pipe 12.20 P3 with fixing accessories
 H008 - 2217281 - Bypass cover P3 with fixing accessories
 H009 - 2012103 - Condenser quenching nozzle P3
 H010 - 7012004 - Air outlet tube 12.20 P3
 H011 - 2124580K - Air-outlet pipe end OEB/OGB 6.10/6.20/10.10/10.20 with fixing accessories
 H015 - 4007087 - Heat-resistant cable tie, 140x3.6mm
 I001 - 2114508 - Floor cover panel for appliances without CONVOClean system P3
 I001 - 2617250 - Cleaner pump unit 230V free-standing appliances P3
 I002 - 5018028 - Cleaner pump CONVOClean system P3 / OES mini
 I003 - 2619149 - Pressure switch CONVOClean system 12.20/20.10/20.20 P3
 I004 - 6014000 - 3-way pipe connector CONVOClean system P3
 I005 - 6014001 - 2-way pipe connector CONVOClean system cleaner P3
 I006 - 6005414 - Right-angle pipe connector 6mm
 I007 - 2619150 - Partition screw connection CONVOClean system P3 / OES mini, 2 off
 I011 - 7012302 - EPDM pipe 6x2mm
 I012 - 2611010 - Sprinkler nozzle, CONVOClean system P3 / OES mini
 I013 - 2611184 - Armature nozzle, CONVOClean system P3
 I014 - 2623282 - Set of cleaning nozzles, CONVOClean system P3 / OES mini
 I015 - 6005413 - Water nozzle, CONVOClean system P3
 I016 - 2625117 - Screw connection for pipes on cover (sealing washer and nut)
 I017 - 2016166 - Cleaner pipe, CONVOClean system 6.20/10.20/12.20 P3
 I018 - 2016164 - Water pipe, CONVOClean system, 2 nozzles 6.20/10.20/12.20/20.20 P3
 I019 - 2016162 - Water pipe, CONVOClean system, 1 nozzle 6.20/10.20/12.20/20.20 P3
 I028 - 6006122 - Hose clip 7-11mm
 I029 - 8009058 - Wire clip 10mm
 I032 - 6019100 - Adhesive label, cleaner connection P3
 I034 - 8019010 - Wire clip 16 mm
 I036 - 6019109 - CONVOClean adhesive label
 I037 - 6019111 - CONVOCare adhesive label
 K002 - 5018027K - Fan safety grill 120 mm, with fixing accessories
 L004 - 7004008 - Loctite type 243e threadlocker
 L005 - 7004013 - Threadlocker
 L006 - 7004020 - Silicon adhesive E 43

L009 - 7014004 - Aluminum insulating adhesive tape P3
L010 - 7015200 - Fan removal tool P3 with accessories
L011 - 7004018 - OKS 1120 lubricant

| | | |
|------|------------|---|
| A001 | - 2117415 | - Seitenwand links 12.20 P3 |
| A002 | - 2117435 | - Rückwand OES/OEB/OGS 12.20 |
| A003 | - 2115445 | - Frontteil 12.20 P3 |
| A004 | - 2114635 | - Eckteil hinten links 12.20 P3 |
| A005 | - 2114704 | - Decke OES/OEB 12.20/20.20 |
| A006 | - 2119228 | - Abdeckung Kondensator P3 |
| A007 | - 2618779 | - Set Glühlampe 230V 25W mit Dichtung |
| A008 | - 2618780 | - Set Garraumleuchte komplett mit Reflektor |
| A009 | - 7011006 | - Hygienesteckdichtung Tür 12.20 P3 |
| A010 | - 2224937 | - Ansaugblech OEB/OGB 12.20 für Lüfterrad Durchm. 385 mm P3 |
| A012 | - 3310394 | - Griff für Beschickungswagen 12.20/20.20 P3 |
| A013 | - 5013001 | - Mehrpunkt-Kerntemperaturfühler mit Verschraubung P3 |
| A014 | - 6015026 | - Dichtung für Kerntemperaturfühler P3 |
| A015 | - 2004035 | - Halterung für Kerntemperaturfühlerkabel |
| A016 | - 2608962 | - Unterdrucksicherung P3 |
| A017 | - 2216090 | - Zusatzlüfter P3 mit Montagematerial |
| A018 | - 5018040 | - Zusatzlüfter P3 |
| A019 | - 6014042 | - Gerätefuß für P3 Standgeräte, höhenverstellbar |
| A020 | - 2115477 | - Einfahrschiene links 12.20/20.20 P3 |
| A021 | - 2115476 | - Einfahrschiene rechts 12.20/20.20 P3 |
| A022 | - 6014051 | - Bockrolle für Beschickungswagen P3 |
| A023 | - 6014052 | - Lenkrolle für Beschickungswagen mit Stoppfunktion P3 |
| A024 | - 3015001 | - Kondensatauffangwanne Beschickungswagen 12.20/20.20 P3 |
| A025 | - 2004234 | - Einfahrkeil für Beschickungswagen P3 |
| A029 | - 7003066 | - Dichtungsband 9x3mm |
| A030 | - 5016030K | - Kabelverschraubung M63 reduziert |
| A031 | - 6005068 | - Dichtung 44x5 mm für Unterdrucksicherung P3 |
| A032 | - 6005427 | - Membrantülle Durchm. 83 (DG 60) |
| B001 | - 2520414 | - Tür 12.20 kompl. P3 |
| B003 | - 2525040 | - Türgriff P3 Hygienisch Antibakteriel m.Montageteile |
| B004 | - 6015249 | - Verschlussklammer Innentür Standgeräte P3 |
| B005 | - 2014005 | - Silikonfeder Tür P3 |
| B006 | - 6015200 | - Abstandhalter Tür P3 |
| B009 | - 2014007 | - Scharnierplatte für Türoberseite P3 |
| B010 | - 2014003 | - Scharnier-Rastplatte für Türunterseite P3 |
| B012 | - 2614803 | - Schlittenplatte Verschwindetür 12.20 kompl. P3 |
| B013 | - 2123273 | - Verkleidung Schlittenplatte Verschwindetür 12.20 P3 |
| B014 | - 2619152 | - Rasterklotz Schlittenplatte Verschwindetür P3 mit Montagematerial |
| B015 | - 2523667 | - Scharnierarm oben und unten P3 mit Montagematerial |
| B016 | - 2619141 | - Führungsrolle Verschwindetür P3 mit Montagematerial |
| B017 | - 2619156 | - Sicherungsklotz Verschwindetür P3 mit Montagematerial |
| B018 | - 2619153 | - Türanschlag Verschwindetür P3 mit Montagematerial |
| B019 | - 2619154 | - Stützleiste Verschwindetür P3 mit Montagematerial |
| B020 | - 2619139 | - Führungsschiene Verschwindetür 20.10 P3 mit Montagematerial |
| B021 | - 2619155 | - Führungsleiste Verschwindetür P3 mit Montagematerial |
| B022 | - 2117280 | - Anschlagpuffer Verschwindetür P3 mit Montagematerial |
| B023 | - 2614750 | - Führungsbügel Tür Standgeräte P3 |
| B024 | - 2216070 | - Türkloben P3 mit Montagematerial |
| B025 | - 2518798 | - Türkontaktschalter OES mini |
| B026 | - 2514385 | - Trägerprofil für Querdichtung Tür 12.20/20.20 P3 |
| B027 | - 7001077 | - Querdichtung Tür 12.20/20.20 P3 |
| B028 | - 6015204 | - Gegenhalter Tür Standgeräte P3 |
| B029 | - 6015201 | - Distanzbolzen Tür P3 |
| B030 | - 2619146 | - Schlittenplatte 12.20 P3 mit Führungsschiene und Montagematerial |
| B033 | - 6002056 | - Abdeckkappe für Drehhebelverschluss |
| C001 | - 5019406 | - Steuerung 5010 Steuermodul SM P3 |
| C004 | - 2618785 | - Montagezubehör für Steuerung P2 P3 OES mini |
| C005 | - 5009304 | - Verbindungskabel Steuermodul - Bedienmodul P2 P3 |
| C005 | - 5019322 | - Datenkabel Bedienmodul easyTOUCH - Steuermodul P3 |
| C006 | - 2619973 | - Nachrüstset Versorgungsmodul (P2, P3, OES mini) |
| C007 | - 2126353 | - Steuerung 7010 Bedienmodul easyTOUCH LED P3 und OES mini |
| C009 | - 2126350 | - Frontblende OEB/OGB easyTOUCH LED "CONVOTHERM" |
| C013 | - 6016521 | - Verschlussstopfen für USB-Anschluss easyTOUCH |
| C015 | - 2119918 | - Hauptschalter easyTOUCH mit Montagematerial |
| C017 | - 5019323 | - Versorgungskabel für Bedienmodul easyTOUCH |
| C018 | - 5019327 | - Lautsprecher für Steuerung 7000 easyTOUCH |
| C019 | - 4008099 | - Speicher-Karte für Bedienmodul easyTOUCH |
| C020 | - 2119921 | - USB-Anschluss für Steuerung 7000 easyTOUCH mit Montagematerial |
| C021 | - 8014000 | - Abstandsbolzen M3 20 mm |
| D001 | - 2317308 | - DampferzeugerOEB10.20/12.20/20.10kpl.ohne Tauchheizkörper mit Montagemat. |
| D002 | - 6015023 | - Flachdichtung für Tauchheizkörper P3 |
| D003 | - 2619179 | - Tauchheizkörper 9,9kW 230V Stern, 420mm lang P3, mit Montagematerial |
| D004 | - 2619179 | - Tauchheizkörper 9,9kW 230V Stern, 420mm lang P3, mit Montagematerial |
| D005 | - 5008079K | - Dampferzeuger-Entleerungspumpe 200/240V mit Montagematerial |

D006 - 6015100K - Ablaufwinkel für Dampferzeuger P3 mit Montagematerial
 D007 - 7012018 - Dampferzeuger-Ablaufschlauch P3
 D008 - 6016500 - Rücksaugicherung für Dampferzeuger P3
 D009 - 7012086 - Schlauch 1/2" für Dampferzeuger-Befüllung P3
 D010 - 5019000K - Doppelniveausonde mit Montagematerial P3
 D011 - 6015040 - Dichtung für Doppelniveausonde P3
 D012 - 6006092 - Sechskantmutter R1 1/4" für Dampferzeugerverschraubung
 D013 - 5002103 - STB-Thermoelementfühler für Dampferzeuger P3
 D022 - 6015400 - Y-Schlauchverbinder 3/8"
 D024 - 6005025 - Flachdichtung 42,5x54x2 (1 1/4") für Dampferzeuger P3
 D025 - 8009057 - Drahtschelle 36 mm
 E001 - 2617285 - Motor 380/415V 10.20/12.20/20.20 P3 mit reduzierter Lüfterleistung
 E002 - 2617294 - Set Motorbefestigung und Lüfterradbefestigung P3
 E003 - 2617295 - Set Motorwellendichtung P3
 E004 - 2625109 - Set Motorbolzen P3
 E005 - 2625187 - Lüfterrad Durchm. 385 mm P3 mit Montagematerial
 E006 - 2617293 - Set Lüfterradbefestigung P3
 E007 - 2619177 - Rohrheizkörper 2x16,5kW 230V Stern, Durchm. 490 mm P3, mit Montagematerial
 E008 - 2623227 - Dichtung für Rohrheizkörper 6.20/10.20/12.20/20.20 P3 mit Montagematerial
 E009 - 2623219 - Set Anschlussleitungen für Rohrheizkörper P3 (Litze)
 E011 - 5001041 - Garraum-Sicherheitstemperaturbegrenzer (340°C)
 E012 - 5016014K - Thermoelementfühler P3 / OES mini
 G001 - 5001059 - Einfachmagnetventil gerade 220/240V
 G001 - 5011000 - Dreifachmagnetventil gerade 220/240V
 G002 - 7002033 - Heisswasserschlauch 3/8"
 G003 - 5011003 - T-Verbindungsstück WA 2x3/4" 1x1/2" P3
 G004 - 2013002 - Entfeuchtungsdüse P3
 G005 - 2216796 - Entfeuchtungswannen-Abdeckung P3
 G006 - 6015215 - Winkel-Schlauchanschluss 3/8" m. Dichtung
 G007 - 2016114 - Rohrleitung für Handbrauseanschluss 12.20 P3
 G008 - 6014003 - Eckventil für Handbrause 1/2" P3
 G009 - 6014006 - Drehkappe für Eckventil 1/2" P3
 G010 - 7012072 - Handbrauseschlauch 6.10 / 6.20 / 12.20 / OES 6.10 mini / 10.10 mini
 G011 - 6005005 - Handbrause Standgeräte P3
 G012 - 2002042 - Aufhängung Handbrause Standgeräte P3
 G015 - 6006086 - Schlauchbinder 12-22mm
 G016 - 6006087 - Schlauchbinder 25-40mm
 G017 - 6006089 - Schlauchbinder 40-60mm
 H001 - 2012110K - Kondensator Standgeräte P3 mit Montagematerial
 H002 - 6015000 - Dichtung Kondensator P3
 H003 - 2425112 - Befestigungsmaterial für Kondensator P3
 H006 - 2016007K - Bypassmeßrohr P3 mit Montagematerial
 H007 - 2016004K - Bypassleitung 12.20 P3 mit Montagematerial
 H008 - 2217281 - Bypassabdeckung P3 mit Montagematerial
 H009 - 2012103 - Ablöschdüse Kondensator P3
 H010 - 7012004 - Abluftschlauch 12.20 P3
 H011 - 2124580K - Abluftstutzen OEB/OGB 6.10/6.20/10.10/10.20 mit Montagematerial
 H015 - 4007087 - Kabelbinder hitzebeständig, 140x3,6mm
 I001 - 2617250 - Reinigerpumpeneinheit 230V Standgeräte P3
 I001 - 2114508 - Bodenabdeckung für Geräte ohne CONVOClean system P3
 I002 - 5018028 - Reinigerpumpe CONVOClean system P3 / OES mini
 I003 - 2619149 - Druckschalter CONVOClean system 12.20/20.10/20.20 P3
 I004 - 6014000 - Schlauchanschluss CONVOClean system 3fach P3
 I005 - 6014001 - Schlauchanschluss CONVOClean system Reiniger 2fach P3
 I006 - 6005414 - Winkel-Schlauchverbindungsstutzen 6mm
 I007 - 2619150 - Schottverschraubung CONVOClean system P3 / OES mini, 2 Stück
 I011 - 7012302 - EPDM-Schlauch 6x2mm
 I012 - 2611010 - Sprinklerdüse CONVOClean system P3 / OES mini
 I013 - 2611184 - Rotordüse CONVOClean system P3
 I014 - 2623282 - Set Reinigerdüsen CONVOClean system P3 / OES mini
 I015 - 6005413 - Wasserdüse CONVOClean system P3
 I016 - 2625117 - Verschraubung für Rohrleitungen an Decke (Dichtung und Mutter)
 I017 - 2016166 - Rohrleitung Reiniger CONVOClean system 6.20/10.20/12.20 P3
 I018 - 2016164 - Rohrleitung Wasser CONVOClean system 2 Düsen 6.20/10.20/12.20/20.20 P3
 I019 - 2016162 - Rohrleitung Wasser CONVOClean system 1 Düse 6.20/10.20/12.20/20.20 P3
 I028 - 6006122 - Schlauchbinder 7-11mm
 I029 - 8009058 - Drahtschelle 10mm
 I032 - 6019100 - Aufkleber Reinigeranschluss P3
 I034 - 8019010 - Drahtschelle 16 mm
 I036 - 6019109 - Kennzeichnungsaufkleber CONVOClean
 I037 - 6019111 - Kennzeichnungsaufkleber CONVOCare
 K002 - 5018027K - Lüfterschutzgitter 120 mm mit Montagematerial
 L004 - 7004008 - Sicherungsmittel Loctite Typ 243e
 L005 - 7004013 - Schraubensicherungslack
 L006 - 7004020 - Silikonkleber E 43

L009 - 7014004 - Alu-Klebeband für Isolierung P3

L010 - 7015200 - Abzieher für Lüfterrad P3 mit Zubehör

L011 - 7004018 - Schmiermittel OKS 1120

| | | |
|------|------------|---|
| A001 | - 2117415 | - Paroi latérale gauche 12.20 P3 |
| A002 | - 2117435 | - Panneau arrière OES/OEB/OGS 12.20 |
| A003 | - 2115445 | - Partie avant 12.20 P3 |
| A004 | - 2114635 | - Angle arrière gauche 12.20 P3 |
| A005 | - 2114704 | - Plafond OES/OEB 12.20/20.20 |
| A006 | - 2119228 | - Capot Condenseur P3 |
| A007 | - 2618779 | - Kit lampe à incandescence 230V 25W avec joint |
| A008 | - 2618780 | - Kit voyant d'enceinte de cuisson complet avec réflecteur |
| A009 | - 7011006 | - Joint d'étanchéité emboité porte 12.20 P3 |
| A010 | - 2224937 | - Tôle d'aspiration OEB/OGB 12.20 pour diam. ventilateur 385 mm P3 |
| A012 | - 3310394 | - Poignée pour chariot d'enfournement 12.20/20.20 P3 |
| A013 | - 5013001 | - Capteur de température à cœur multipoint avec presse-étoupe P3 |
| A014 | - 6015026 | - Joint pour capteur de température à cœur P3 |
| A015 | - 2004035 | - Support pour câble du capteur de température à cœur |
| A016 | - 2608962 | - Limiteur de dépression P3 |
| A017 | - 2216090 | - Ventilateur d'appoint P3 avec sujétions de montage |
| A018 | - 5018040 | - Ventilateur d'appoint P3 |
| A019 | - 6014042 | - Pied d'appareil pour appareils sur pieds P3, réglable en hauteur |
| A020 | - 2115477 | - Rail gauche 12.20/20.20 P3 |
| A021 | - 2115476 | - Rail droit 12.20/20.20 P3 |
| A022 | - 6014051 | - Roulette pour chariot d'enfournement P3 |
| A023 | - 6014052 | - Roulette orientable pour chariot d'enfournement avec fonction arrêt P3 |
| A024 | - 3015001 | - Bac de collecte condensation chariot d'enfournement 12.20/20.20 P3 |
| A025 | - 2004234 | - Tasseau de centrage du chariot d'enfournement P3 |
| A029 | - 7003066 | - Joint-ruban 9x3 mm |
| A030 | - 5016030K | - Presse-étoupe M63 réduit |
| A031 | - 6005068 | - Joint 44x5 mm pour limiteur de dépression P3 |
| A032 | - 6005427 | - Diam. passe-tube 83 (DG 60) |
| B001 | - 2520414 | - Porte 12.20 compl. P3 |
| B003 | - 2525040 | - Poignée de porte P3 avec sujétions de montage |
| B004 | - 6015249 | - Loquet de fermeture porte intérieure appareils sur pieds P3 |
| B005 | - 2014005 | - Amortisseur silicone porte P3 |
| B006 | - 6015200 | - Ecarteur porte P3 |
| B009 | - 2014007 | - Plaque de charnière pour face supérieure porte P3 |
| B010 | - 2014003 | - Plaque de charnière à encliqueter pour face inférieure porte P3 |
| B012 | - 2614803 | - Plaque glissière porte escamotable 12.20 compl. P3 |
| B013 | - 2123273 | - Habillage plaque glissière porte escamotable 12.20 P3 |
| B014 | - 2619152 | - Cale d'encliquetage plaque glissière porte escamot.P3 +sujétions de montage |
| B015 | - 2523667 | - Bras de charnière haut et bas P3 avec sujétions de montage |
| B016 | - 2619141 | - Galet de guidage porte escamotable P3 avec sujétions de montage |
| B017 | - 2619156 | - Cale de sécurité Porte escamotable P3 avec sujétions de montage |
| B018 | - 2619153 | - Butée de porte Porte escamotable P3 avec sujétions de montage |
| B019 | - 2619154 | - Baguette d'appui Porte escamotable P3 avec sujétions de montage |
| B020 | - 2619139 | - Rail de guidage Porte escamotable 20.10 P3 avec sujétions de montage |
| B021 | - 2619155 | - Barrette de guidage Porte escamotable P3 avec sujétions de montage |
| B022 | - 2117280 | - Tampon de butée Porte escamotable P3 avec sujétions de montage |
| B023 | - 2614750 | - Etrier de guidage Porte Appareils sur pieds P3 |
| B024 | - 2216070 | - Gâche de porte P3 avec sujétions de montage |
| B025 | - 2518798 | - Contact porte OES mini |
| B026 | - 2514385 | - Profilé dormant pour joint transversal Porte 12.20/20.20 P3 |
| B027 | - 7001077 | - Joint transversal Porte 12.20/20.20 P3 |
| B028 | - 6015204 | - Contre-support Porte Appareils sur pieds P3 |
| B029 | - 6015201 | - Boulon entretoise Porte P3 |
| B030 | - 2619146 | - plaque glissière 12.20 P3 avec rail de guidage et sujétions de mont. |
| B033 | - 6002056 | - Chape pour poignée béquille |
| C001 | - 5019406 | - Commande 5010 Module de commande SM P3 |
| C004 | - 2618785 | - Accessoires de montage pour commande P2 P3 OES mini |
| C005 | - 5009304 | - Câble de liaison Module de commande - Module de service P2 P3 |
| C005 | - 5019322 | - Câble de données Module de service easyTOUCH - Module de commande P3 |
| C006 | - 2619973 | - Kit d'adaptation Module d'alimentation (P2, P3, OES mini) |
| C007 | - 2126353 | - Commande 7010 Module de service easyTOUCH LED P3 et OES mini |
| C009 | - 2126350 | - Face avant OEB/OGB easyTOUCH LED "CONVOTHERM" |
| C013 | - 6016521 | - Clapet de fermeture pour connexion USB easyTOUCH |
| C015 | - 2119918 | - Interrupteur général easyTOUCH avec accessoires de montage |
| C017 | - 5019323 | - Câble d'alimentation pour module de service easyTOUCH |
| C018 | - 5019327 | - Haut-parleur pour commande 7000 easyTOUCH |
| C019 | - 4008099 | - Carte mémoire pour module de service easyTOUCH |
| C020 | - 2119921 | - Connexion USB pour commande 7000 easyTOUCH avec accessoires de montage |
| C021 | - 8014000 | - Boulon entretoise M3 20 mm |
| D001 | - 2317308 | - Générateurvap.OEB10.20/12.20/20.10sans élémt chauff.plong.,access.de mont. |
| D002 | - 6015023 | - Joint plat pour élément chauffant plongeur P3 |
| D003 | - 2619179 | - Élément chauffant plongeur9,9kW230Vétoile, longueur420mmP3,+access. montage |
| D004 | - 2619179 | - Élément chauffant plongeur9,9kW230Vétoile, longueur420mmP3,+access. montage |
| D005 | - 5008079K | - Pompe de vidange du générateur de vap.200/240V avec accessoires de montage |

D006 - 6015100K - Cornière d'écoulement pour générateur de vapeur P3 avec accessoires de mont.
 D007 - 7012018 - Tuyau d'écoulement pour générateur de vapeur P3
 D008 - 6016500 - Sécurité anti-retour d'eau par siphonage, pour générateur de vapeur P3
 D009 - 7012086 - Tuyau 1/2" pour remplissage du générateur de vapeur P3
 D010 - 5019000K - Capteur double niveau avec accessoires de montage P3
 D011 - 6015040 - Joint pour capteur double niveau P3
 D012 - 6006092 - Ecroû hexagonal R1 1/4" pour raccord du générateur de vapeur
 D013 - 5002103 - Capteur thermocouple LTS pour générateur de vapeur P3
 D022 - 6015400 - Raccord Y pour tuyau 3/8"
 D024 - 6005025 - Joint plat 42,5x54x2 (1 1/4") pour générateur de vapeur P3
 D025 - 8009057 - Collier de câble 36 mm
 E001 - 2617285 - Moteur 380/415V 10.20/12.20/20.20 P3 avec puissance de ventilation réduite
 E002 - 2617294 - Kit fixation moteur et fixation ventilateur P3
 E003 - 2617295 - Kit garniture d'arbre moteur P3
 E004 - 2625109 - Jeu de boulons moteur P3
 E005 - 2625187 - Diam. ventilateur 385 mm P3 avec accessoires de montage
 E006 - 2617293 - Kit fixation ventilateur P3
 E007 - 2619177 - Corps de chauffe tubulaire 2x16,5kW/230V étoile, diam. 490mm P3, +access.de mont.
 E008 - 2623227 - Joint pour corps de chauffe 6.20/10.20/12.20/20.20 P3 +accessoires de montage
 E009 - 2623219 - Jeu de lignes de raccordement pour corps de chauffe P3 (fil toronné)
 E011 - 5001041 - Limiteur de température de sécurité de l'enceinte de cuisson (340°C)
 E012 - 5016014K - Capteur thermocouple P3 / OES mini
 G001 - 5001059 - Electrovanne simple droite 220/240V
 G001 - 5011000 - Electrovanne triple droite 220/240V
 G002 - 7002033 - Tuyau d'eau chaude 3/8"
 G003 - 5011003 - Raccord en T alimentation eau 2x3/4" 1x1/2" P3
 G004 - 2013002 - Buse de déshumidification P3
 G005 - 2216796 - Couvercle pour bacs de déshumidification P3
 G006 - 6015215 - Raccord coudé pour tuyau 3/8" avec joint
 G007 - 2016114 - Tuyau pour raccordement douchette 12.20 P3
 G008 - 6014003 - Vanne d'angle pour douchette 1/2" P3
 G009 - 6014006 - Capot pivotant pour vanne d'angle 1/2" P3
 G010 - 7012072 - Tuyau pour douchette 6.10 / 6.20 / 12.20 / OES 6.10 mini / 10.10 mini
 G011 - 6005005 - Douchette appareils sur pieds P3
 G012 - 2002042 - Accroche douchette appareils sur pieds P3
 G015 - 6006086 - Collier de tube 12-22 mm
 G016 - 6006087 - Collier de tube 25-40 mm
 G017 - 6006089 - Collier de tube 40-60 mm
 H001 - 2012110K - Condenseur appareils sur pieds P3 avec accessoires de montage
 H002 - 6015000 - Joint condenseur P3
 H003 - 2425112 - Matériel de fixation pour condenseur P3
 H006 - 2016007K - Tube de mesurage en dérivation P3 avec accessoires de montage
 H007 - 2016004K - Ligne de dérivation 12.20 P3 avec accessoires de montage
 H008 - 2217281 - Capot pour dérivation P3 avec accessoires de montage
 H009 - 2012103 - Buse d'extinction condenseur P3
 H010 - 7012004 - Tuyau d'extraction d'air 12.20 P3
 H011 - 2124580K - Manchon d'évacuation d'air OEB/OGB 6.10/6.20/10.10/10.20 avec access.de mont.
 H015 - 4007087 - Collier de câble résistant à la chaleur, 140x3,6mm
 I001 - 2114508 - Couvre-sol pour appareils sans système CONVOClean P3
 I001 - 2617250 - Unité pompe à nettoyant 230V appareils sur pieds P3
 I002 - 5018028 - Pompe à nettoyant système CONVOClean P3 / OES mini
 I003 - 2619149 - Pressostat système CONVOClean 12.20/20.10/20.20 P3
 I004 - 6014000 - Raccord pour tuyau système CONVOClean triple P3
 I005 - 6014001 - Raccord pour tuyau Nettoyant système CONVOClean double P3
 I006 - 6005414 - Manchon de raccordement de tube, coudé 6 mm
 I007 - 2619150 - Traversée de cloison système CONVOClean P3 / OES mini, 2 unités
 I011 - 7012302 - Tuyau EPDM 6x2 mm
 I012 - 2611010 - Bec d'arroseur système CONVOClean P3 / OES mini
 I013 - 2611184 - Buse du rotor système CONVOClean P3
 I014 - 2623282 - Kit buses de nettoyage système CONVOClean P3 / OES mini
 I015 - 6005413 - Buse à eau système CONVOClean P3
 I016 - 2625117 - Raccord pour tuyaux au plafond (joint et écrou)
 I017 - 2016166 - Tuyau de nettoyant système CONVOClean 6.20/10.20/12.20 P3
 I018 - 2016164 - Tuyau d'eau système CONVOClean 2 buses 6.20/10.20/12.20/20.20 P3
 I019 - 2016162 - Tuyau d'eau système CONVOClean 1 buse 6.20/10.20/12.20/20.20 P3
 I028 - 6006122 - Collier pour tuyau 7-11 mm
 I029 - 8009058 - Collier de câble 10 mm
 I032 - 6019100 - Autocollant raccordement pour nettoyant P3
 I034 - 8019010 - Collier de câble 16 mm
 I036 - 6019109 - Autocollant d'identification CONVOClean
 I037 - 6019111 - Autocollant d'identification CONVOCare
 K002 - 5018027K - Grille de protection de ventilateur 120 mm avec matériel de fixation
 L004 - 7004008 - Produit de protection Loctite Type 243e
 L005 - 7004013 - Laque de protection des vis
 L006 - 7004020 - Colle silicone E 43

L009 - 7014004 - Ruban adhésif alu pour isolation P3

L010 - 7015200 - Arrache-moyeux pour roue de ventilateur P3 avec accessoires

L011 - 7004018 - Lubrifiant OKS 1120