



## **Ice Machine Parts List for Series i1400 Models**

**iD1402A**

**iY1404A**

**iD1403W**

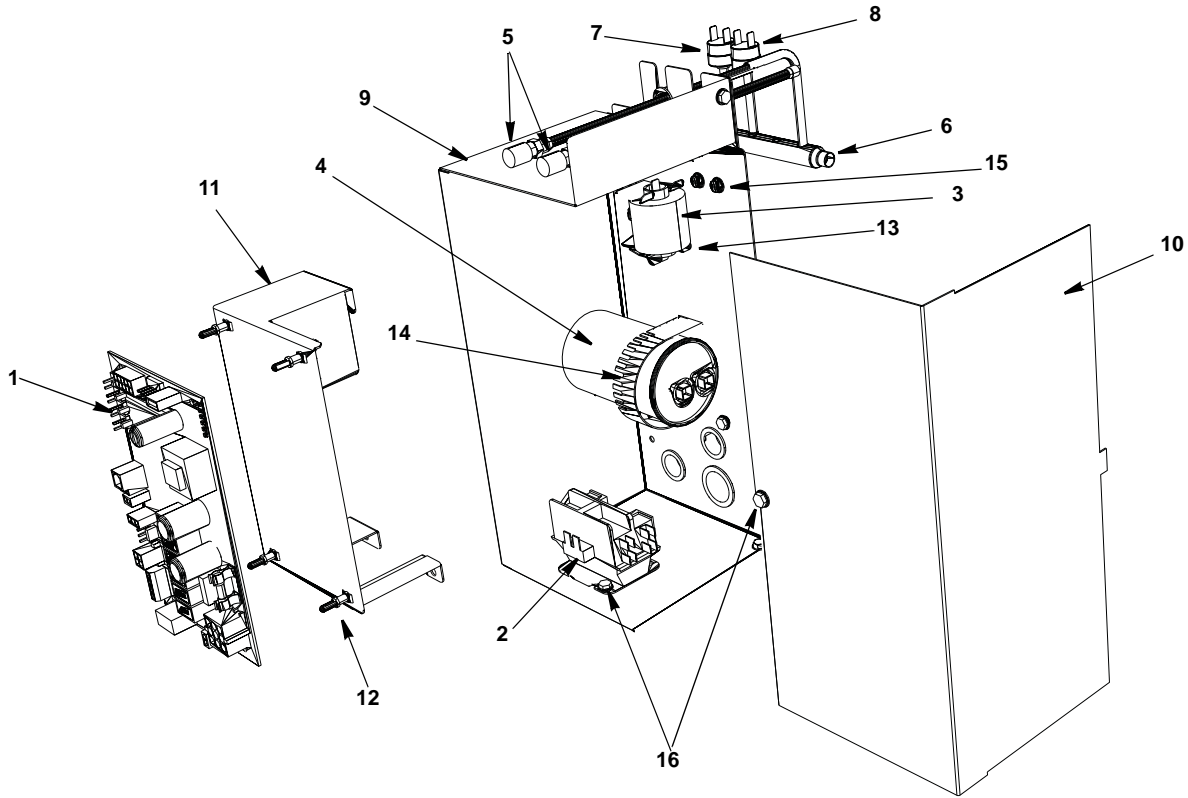
**iY1405W**

**iD1492N**

**iY1494N**

**JC1395**

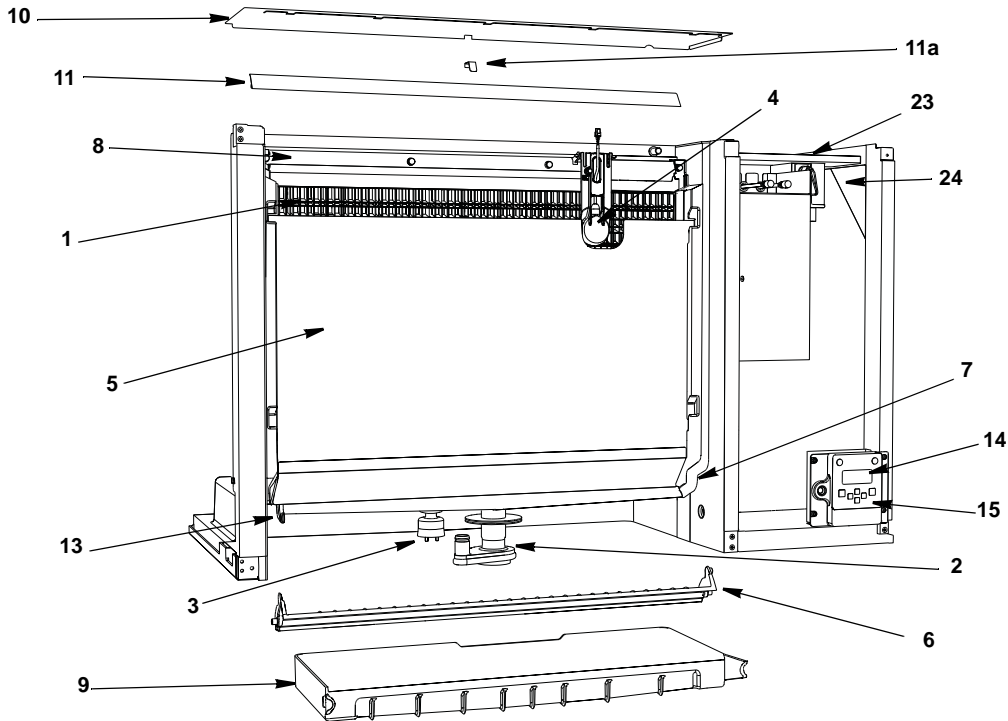
# i1400 CONTROL BOX



## DESCRIPTION

	<b>PART NO.</b>
1 Control Board (for use with all voltages) . . . . .	000008309
a. 8 amp Ceramic Fuse – Mounted on Control Board . . . . .	000009181
2 <b>Contactor</b>	
a. 208-230V/60 Hz/1ph . . . . .	2009089
b. 208-230V/60 Hz/3ph . . . . .	2006619
c. 230V/50 Hz/1ph . . . . .	2009089
3 PTCR Compressor Starter . . . . .	8504913
4 <b>Compressor Run Capacitor</b>	
a. 208-230V/60 Hz/1ph . . . . .	000000028
b. 208-230V/50 Hz/1ph . . . . .	000005488
5 Refrigeration Service Valve Assembly . . . . .	8373253 & 8373263
6 Manifold Strainer . . . . .	8253579
a. Bracket . . . . .	6058571
7 High Pressure Cut-out (Auto Reset) . . . . .	2001243
8 Fan Cycling Control . . . . .	2001273
<b>Miscellaneous – Brackets, Screws, etc.</b>	
9 Control Box . . . . .	000008279
10 Control Box Cover . . . . .	000010422
11 Control Board Mounting Bracket . . . . .	000007564
12 Control Board Mounting Supports . . . . .	4302253
13 PTCR Compressor Starter Mounting Bracket . . . . .	8504953
14 Capacitor Mounting Bracket . . . . .	6033131
15 Screws, #10-24 x 0.50 Ground . . . . .	5202169
a. Star Washer . . . . .	5573209
16 Screw, #10-24 x 0.50 . . . . .	5202069
17 Lockwashers . . . . .	5573209
18 <b>Control Box Bushings</b>	
a. Large (1) . . . . .	2500019
b. Small (4) . . . . .	2501409
19 <b>Control Box Wiring Harness (Not shown)</b>	
a. 230/60/1 . . . . .	000007752
b. 230/60/3 . . . . .	2008979
c. 230/50/1 . . . . .	000007753
d. 460/60/3 . . . . .	000008020
20 <b>Compressor Compartment Wiring Harness (Not shown)</b>	
a. Air-cooled . . . . .	000008257
b. Water-cooled . . . . .	000008258
c. Remote Air-cooled . . . . .	000008259
21 <b>Electrical Noise Filter Wiring Harness</b>	
a. 460/60/3 . . . . .	000005500

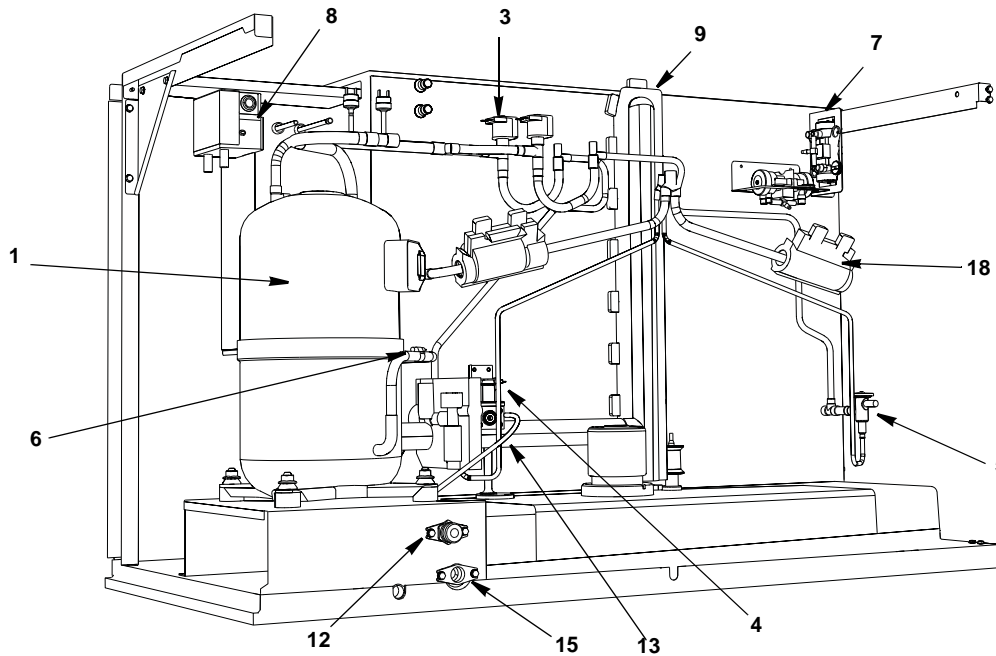
# i1400 EVAPORATOR COMPARTMENT - COMMON COMPONENTS



## DESCRIPTION

	DESCRIPTION	PART NO.
1	<b>Evaporator Assembly</b>	
	a. Dice Cube . . . . .	000010423
	b. Half Dice Cube . . . . .	000010424
2	<b>Water Pump</b>	
	a. 230V/60 Hz 1/3PH . . . . .	8252109
	b. 230/50/1 . . . . .	2007389
3	<b>Water Level Probe.</b>	000007052
	a. Wire, control box to probe (Not shown). . . . .	000007724
	b. Holder . . . . .	000007053
	c. Screw (Mount Water Level Probe Holder) . . . . .	5202099
4	Ice Thickness Control Probe . . . . .	000008660
5	Splash Shield Assembly . . . . .	000010428
6	Ice Damper Assembly . . . . .	000008110
7	<b>Magnetic Bin Switch.</b>	000007888
	a. Wiring Harness . . . . .	000007410
8	Water Distribution Tube Assembly . . . . .	7603193
	a. O-rings (Back of Distribution Assembly) . . . . .	5004649
9	Water Trough . . . . .	000009112
10	Foodzone Seal Panel . . . . .	000008253
11	Evaporator Top Filler Panel . . . . .	000008805
	a. Stainless Steel Clamp . . . . .	000008847
	b. Clamp Screw . . . . .	5202099
12	Evaporator Top Frame Assembly . . . . .	000010430
13	Evaporator Bottom Frame Assembly . . . . .	000010431
14	LCD Display . . . . .	000006728
15	Touch Pad with Housing . . . . .	000007926
16	LCD Wiring Harness (Not shown) . . . . .	000007737
17	Touch Pad/Housing Mounting Bracket . . . . .	000008091
18	Front Panel LCD Frame	
	a. With Key Guard . . . . .	000008090
	b. Without Key Guard . . . . .	000008089
	c. Display Cover (hides the display completely) . . . . .	K00433
<b>Miscellaneous – Brackets, Screws, etc.</b>		
19	Screw, (Water Distribution Tube Mounting) Each . . . . .	5004799
	a. O-ring . . . . .	5004629
20	Screw, #12-16 x 0.687 Used to Mount Evaporator (Each) . . . . .	5004619
21	Water Pump Base O-ring . . . . .	5004659
22	Water Pump Outlet O-ring . . . . .	5004679
23	Support Bracket . . . . .	000008710
24	Angled Support Bracket . . . . .	000008712

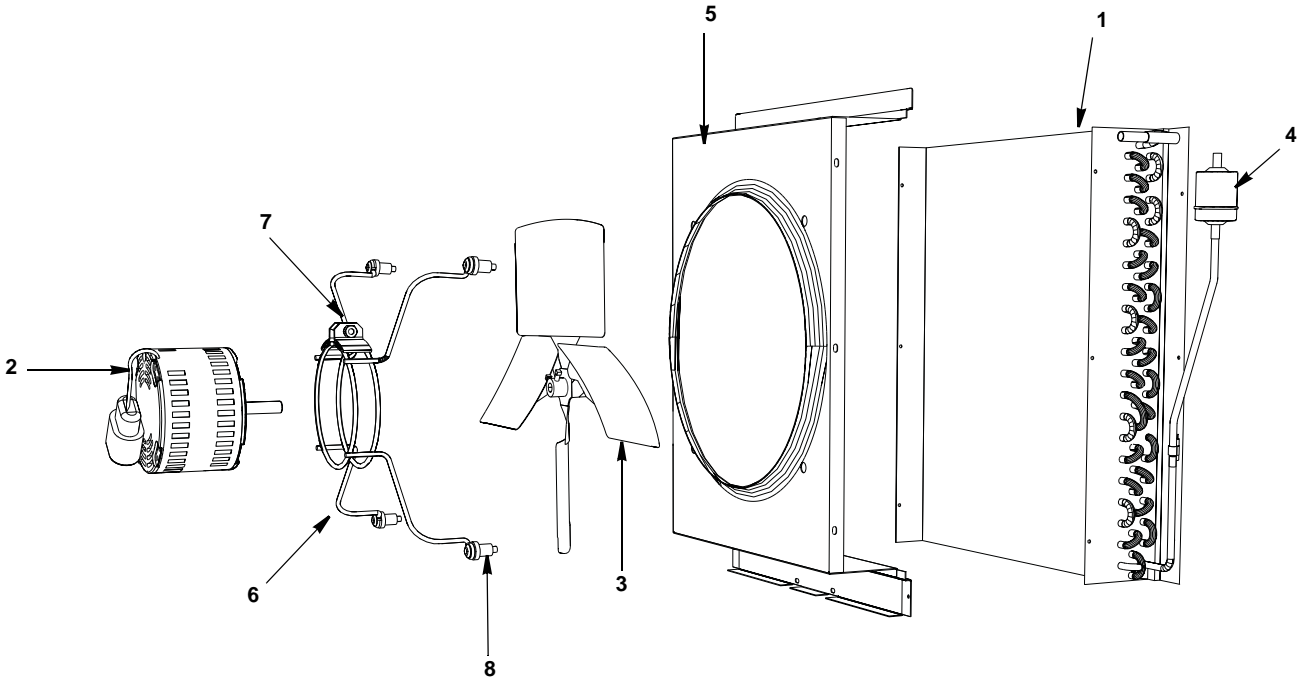
# i1400 REFRIGERATION COMPARTMENT – COMMON PARTS



## DESCRIPTION

			<b>PART NO.</b>
1	<b>Compressor</b>		
	a. 208-230V/60 Hz/1 Ph .....		000008441
	b. 208-230V/60 Hz/3 Ph .....		000008442
	c. 230V/50 Hz/1 Ph .....		000008443
	d. 460V/60 Hz/3 Ph .....		000008444
	e. Molded Plug .....		000005176
2	<b>Water Dump Valve (with bracket)</b>		
	a. Dump Valve, 208-230V/50-60 Hz .....		000001768
	b. Mounting Bracket .....		6058459
	c. Dump Valve Tubing 3.25 inches .....		4420383
3	<b>Harvest Valve</b>		
	a. Harvest Valve Including 208-230V/50-60 Hz Electrical Coil .....		000007017
	b. Harvest Valve 208-230V Coil Only Danfoss .....		000005157
4	<b>Water Inlet Valve</b>		
	a. Water Inlet Valve Including 208-230V/50-60 Hz Coil .....		000007966
	b. Water Inlet Valve Bracket .....		000008582
5	<b>Expansion Valve</b>		
	a. Expansion Valve Body Insulation Boot .....		7603243
	b. Expansion Valve Bulb Insulation Boot .....		4013299
6	<b>Thermistors with Spring Clips</b> .....		000002719
7	<b>Air Assist</b>		
	a. 230V with brackets .....		000007223
	b. Manifold Tee (Air Pump Tubing Outlet) .....		4011739
	c. Bracket .....		000006489
	d. Nozzle .....		3001453
	a. LuminIce Bulb .....		K00425
	b. LuminIce Wiring Harness .....		000007409
	c. Bulkhead Fitting 2.25" .....		000007990
	d. Bulkhead Fitting 2.75" .....		000008269
8	<b>LuminIce</b> .....		
	a. LuminIce Bulb .....		K00434
	b. LuminIce Wiring Harness .....		K00425
	c. Bulkhead Fitting 2.25" .....		000007409
	d. Bulkhead Fitting 2.75" .....		000007990
	e. Bulkhead Fitting 2.75" .....		000008269
9	<b>Insulated Tube</b> (vinyl tubing from distribution tube to water pump & dump valve) .....		000003407
	a. Clamp 0.859/0.989 ID .....		5650609
	b. Clamp 0.799/0.899 ID .....		5650709
10	<b>Vinyl Tubing</b> 0.625 ID (dump valve to drain adapter) .....		000001382
	a. Insulation .....		6038831
	b. Clamp .....		5650709
11	<b>Heat Exchanger</b> .....		000009316
<b>Miscellaneous – Brackets, Screws, etc.</b>			
12	<b>Water Inlet Wing Adapter</b> .....		8706093
	a. Adapter Plastic Fitting .....		1360961
13	<b>Water Inlet Valve Tubing</b> .....		4010439
14	<b>Connector Water Inlet Valve</b> .....		1360989
15	<b>Water Drain Wing Adapter</b> .....		8706133
16	<b>Compressor Mounting</b>		
	a. Base .....		6065909
	b. Rubber Grommet .....		† 8503069
	c. Sleeve .....		8503949
	d. Bolt .....		5004819
	e. Nut .....		5004829
17	<b>Clamp, Expansion Valve Bulb</b> .....		5650529
18	<b>Copper Bulb Strap</b> .....		3000503
19	<b>Screw, #10-24 x 0.50</b> .....		5202069

# i1400 REFRIGERATION COMPARTMENT – AIR-COOLED



## DESCRIPTION

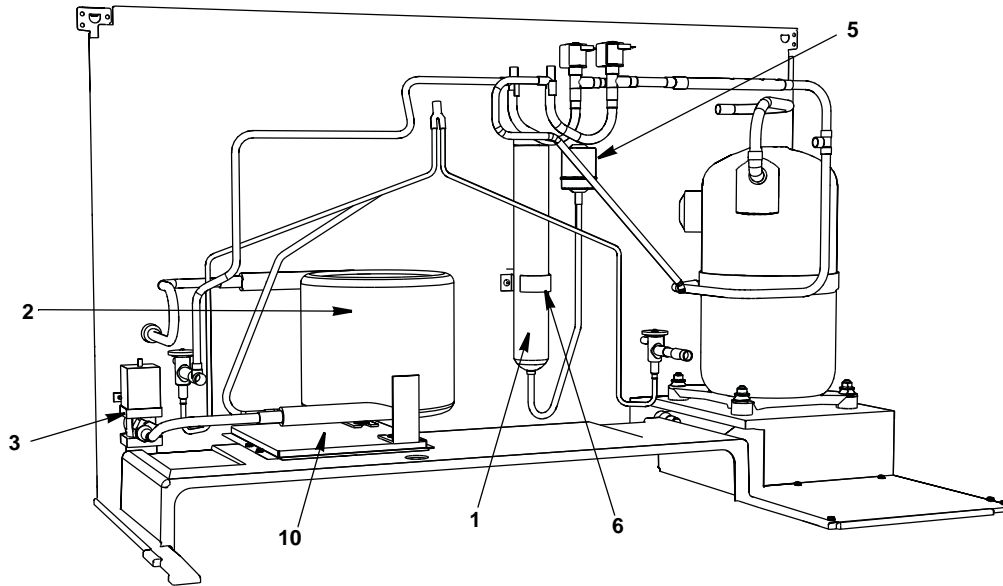
	<b>DESCRIPTION</b>	<b>PART NO.</b>
1	Air Condenser . . . . .	8851283
2	Fan Motor (208-230V/60 Hz or 230V/50 Hz) . . . . .	7626733
3	Fan Blade . . . . .	2416113
4	Drier . . . . .	8930279

## Miscellaneous – Brackets, Screws, etc.

5	Fan Shroud . . . . .	6068499
6	Fan Motor Bracket . . . . .	3006823
7	Fan Motor Mounting	
	a. Screw . . . . .	† 5033589
	b. Lockwasher . . . . .	† 5545109
	c. Hexnut . . . . .	† 5429529
8	Fan Bracket Mounting	
	a. Screw . . . . .	5032389
	b. Lockwasher . . . . .	† 5545109
	c. Flatwasher . . . . .	† 5573059
	d. Rubber Wellnut . . . . .	† 5429559
9	Screw, #10-24 x 0.50 . . . . .	† 5202069

† Refer to Cross Reference Guide

## i1400 REFRIGERATION COMPARTMENT – Water-cooled



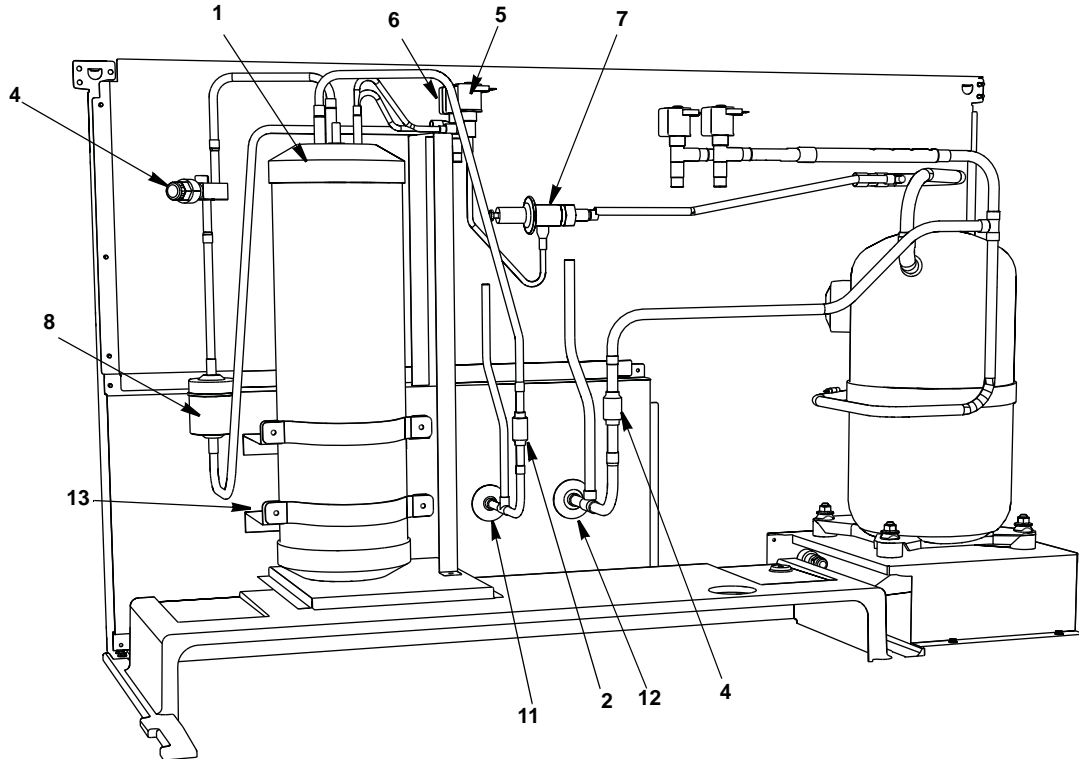
### DESCRIPTION

	<b>DESCRIPTION</b>	<b>PART NO.</b>
1	Receiver .....	7620923
2	Water-cooled Condenser .....	000001508
3	Water Regulating Valve .....	8372123
4	Condenser Water Drain Female Wing Adapter .....	8706083
5	Drier .....	8930279

### Miscellaneous – Brackets, Screws, etc.

6	Receiver Strap .....	6000541
7	Elbow 0.50 MF x 0.375 MPT .....	5002249
8	Screw, #10-24 x 0.50 .....	5202069
9	Washer .....	5573419
10	Base, Water Condenser/Receiver .....	6066849

## i1400 REFRIGERATION COMPARTMENT – REMOTE



### DESCRIPTION

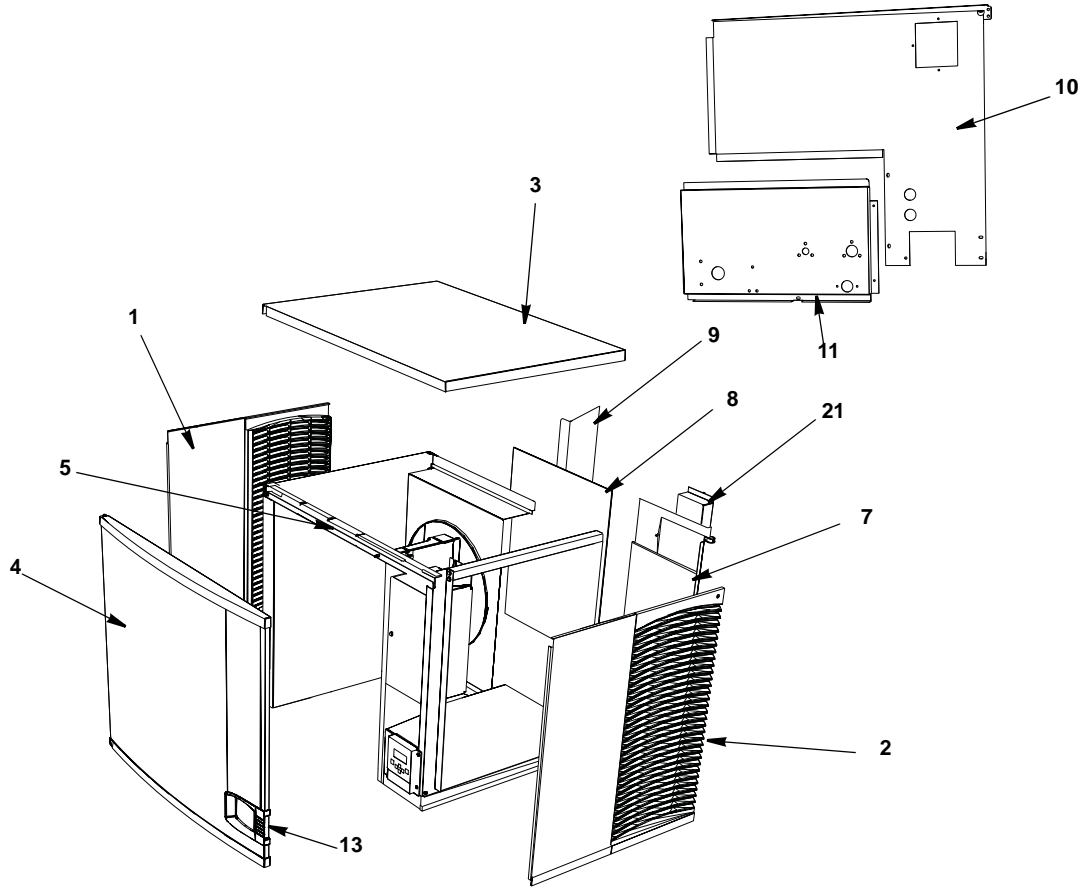
	DESCRIPTION	PART NO.
1	Receiver . . . . .	7629583
2	Magni-Check Valve . . . . .	† 8373149
3	Check Valve . . . . .	† 8373159
4	Refrigeration Service Valve . . . . .	† 8373169
	a. Cap for Refrigeration Service Valve . . . . .	5650759
5	<b>Harvest Pressure Regulating Solenoid (HPR) Valve</b>	
	a. HPR Valve Including 208-230V/50-60 Hz Electrical Coil (Danfoss) . . . . .	000007034
	b. HPR Valve 208-230V/50-60 Hz Coil Only Danfoss . . . . .	000005157
6	<b>Liquid Line Solenoid (LLS) Valve</b>	
	a. LLS Valve Including 208-230V/50-60 Hz Electrical Coil (Danfoss) . . . . .	000007026
	b. LLS Valve 208-230V/50-60 Hz Coil Only Danfoss . . . . .	000005157
7	Harvest Pressure Regulating Valve (HPR) . . . . .	† 8367793
8	Drier . . . . .	8930279
9	Coupling – Male, 5/8-18 . . . . .	† 8360343
10	Coupling – Male, 1-1/6-12 . . . . .	† 8360353

### Miscellaneous – Brackets, Screws, etc.

11	Coupling Mounting Flange for 5/8-18 . . . . .	8360053
12	Coupling Mounting Flange for 1-1/16-12 . . . . .	8360063
13	Receiver Mounting	
	a. Bracket . . . . .	6000561
	b. Strap . . . . .	6307214
	c. Support Bracket . . . . .	000006702
	d. Base . . . . .	6066849
	e. Screw, #10-24 x 0.50 . . . . .	† 5202069

† Refer to Cross Reference Guide

# i1400 PANELS

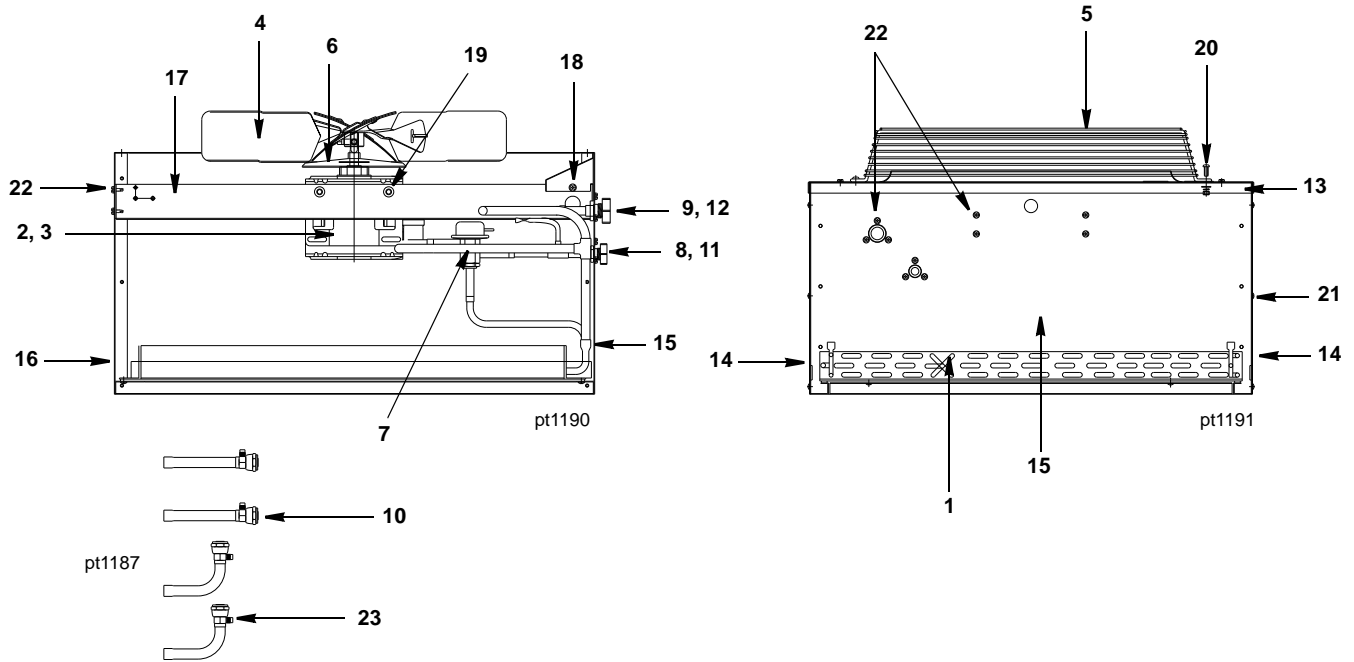


**DESCRIPTION**

	<b>PART NO.</b>
1 Left Side Panel .....	000005224
2 Right Side Panel .....	000005222
3 Top Cover .....	000008537
a. Bracket .....	000009932
4 Front Panel Assembly .....	000008081
a. Top Endcap .....	000008082
b. Bottom Endcap .....	000008083
5 Front Top Support .....	000010052
Cover .....	000009113
Mounting Screw Left Side 8-32 x 1 .....	5005379
Mounting Screw Right Side 10-24 x 0.50 .....	5005099
6 Back Coupling Panel, Drain/Water Connection (Compressor Base) .....	6065909
<b>Air-cooled Back Panels</b>	
7 Back Panel with Electrical Connection Box, Air-cooled Models .....	000008264
8 Air Filter .....	4040243
9 Air Baffle Assembly .....	000008266
<b>Water-cooled &amp; Remote Air-cooled Back Panels</b>	
10 Back Panel with Electrical Connection Box, .....	6069709
11 Back Coupling Panel, Water-cooled/Remote Connections .....	6066829
12 Drain Fitting .....	8706083
<b>Miscellaneous – Brackets, Screws, etc.</b>	
13 Front Panel LCD Frame .....	000008090
a. With Key Guard .....	000008089
b. Without Key Guard .....	K00433
c. Display Cover (hides the display completely) .....	5004899
14 Door Screw .....	000008978
15 Bottom Door Frame .....	5005379
a. Mounting Screw Left Side 8-32 x 1 PHIL .....	5202099
b. Mounting Screw Right Side 10-24 x 0.50 PHIL .....	000007900
16 Front Panel Mounting Bracket .....	5026739
a. Mounting Screw 8-32 x 0.50 Phil .....	6068659
17 Left Corner Post - Back .....	6068649
18 Left Top Channel .....	000008752
19 Right Corner Post - Front .....	000008715
20 Right Top Channel .....	000008715
<b>21 Electrical Box on Rear of Ice Machine</b>	
a. Box .....	6067289
b. Box Cover .....	6067299
c. Terminal Block 3 Pole .....	2006143
d. Groundscrew #10-24 x 0.50 .....	5202169



# JC1395 REMOTE CONDENSER



## DESCRIPTION

DESCRIPTION	PART NO.
1 Air Condenser . . . . .	8850903
2 Fan Motor (208-230V/50-60 Hz/1 Ph) . . . . .	† 7629413
3 Fan Motor Run Capacitor (Emerson) . . . . .	8504583
3 Fan Motor Run Capacitor (Magnatec) . . . . .	No Longer Available
4 Fan Blade . . . . .	2416113
5 Fan Guard . . . . .	3400643
6 Rain Slinger . . . . .	2415053
7 Head Pressure Control . . . . .	000004070
8 Coupling – Male, 5/8-18 . . . . .	† 8360343
9 Coupling – Male, 1-1/6-12 . . . . .	† 8360353
10 Female Line Set Coupling Kit (Sold as Finished Goods Sales Kit) . . . . .	Sales K0129

## Miscellaneous – Brackets, Screws, etc.

11 Coupling Mounting Flange (for 5/8-18) . . . . .	8360053
12 Coupling Mounting Flange (for 1-1/16-12) . . . . .	8360063
13 Top Cover . . . . .	6017891
14 Panel – Side . . . . .	† 6017901
15 Panel – Rear . . . . .	6017911
16 Panel – Front . . . . .	† 6017921
17 Fan Motor Mounting Bracket . . . . .	† 6017681
18 Electrical Box Cover . . . . .	† 6017761
19 Fan Motor Mounting Screw (5/16-18 x 5/8) . . . . .	† 5035659
a. Fan Motor Mounting Flatwasher . . . . .	† 5573099
b. Fan Motor Mounting Lockwasher . . . . .	† 5573139
c. Fan Motor Mounting Hexnut . . . . .	5429759
20 Fan Guard Mounting Screw (1/4-20 x 5/8) . . . . .	† 5033459
a. Fan Guard Mounting Flatwasher . . . . .	† 5573049
b. Fan Guard Mounting Lockwasher . . . . .	† 5545119
c. Fan Guard Mounting Hexnut . . . . .	† 5429529
21 Panel/Condenser Mounting Screw (#8 x 1/2) . . . . .	† 5121539
a. Panel/Condenser Mounting Lockwasher . . . . .	† 5544599
22 Screw (#10-24 x 0.62) . . . . .	† 5202059
23 Valve Cores (used in line sets) . . . . .	7626843
24 Legs (Not shown) . . . . .	† 6017691

**INTENTIONALLY LEFT BLANK**