



Ice Machine Parts List for Series i1000 Models

iD1002A

iY1004A

iD1003W

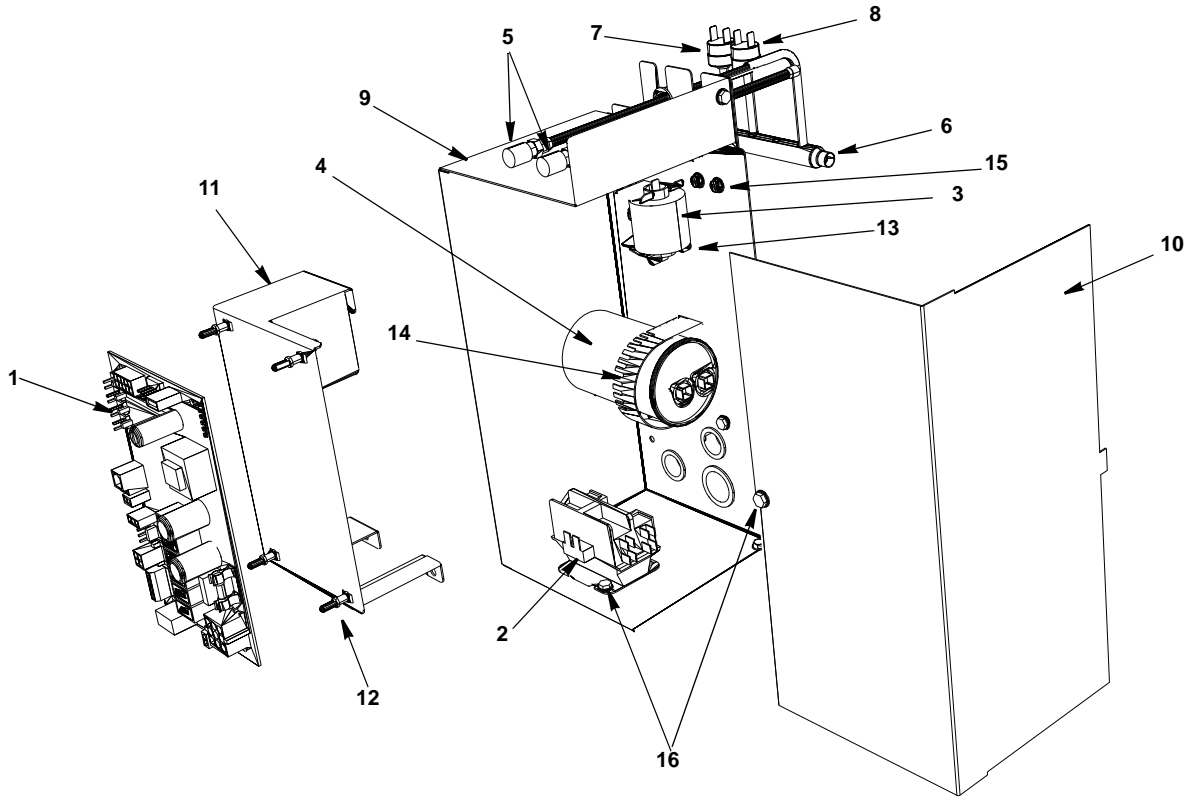
iY1005W

iD1092N

iY1094N

JC0995

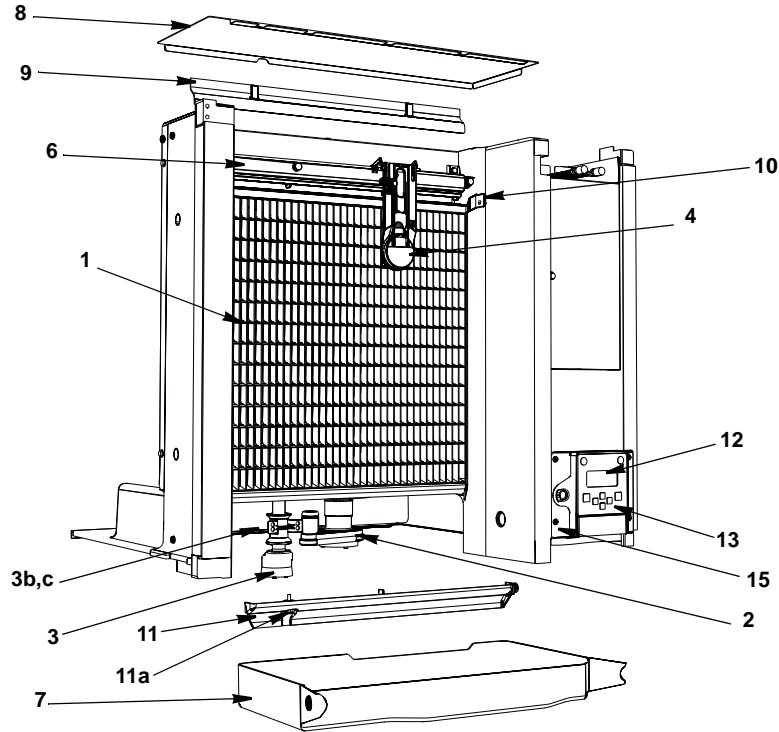
i1000 CONTROL BOX



DESCRIPTION

DESCRIPTION	PART NO.
1 Control Board (for use with all voltages)	000008309
a. 8 amp Ceramic Fuse – Mounted on Control Board	000009181
2 Contactor	
a. 208-230V/60 Hz/1ph or 230V/50 Hz/1ph	2006599
b. 208-230V/60 Hz/3ph	2006619
3 PTCR Compressor Starter	8504993
4 Compressor Run Capacitor	
a. 208-230V/60 Hz/1ph	8503933
b. 208-230V/50 Hz/1ph	000001395
5 Refrigeration Service Valve Assembly	8373263
6 Manifold Strainer	8251049
a. Bracket	6058571
7 High Pressure Cut-out (Auto Reset)	2001243
8 Fan Cycling Control	† 2001273
Miscellaneous – Brackets, Screws, etc.	
9 Control Box	000008279
10 Control Box Cover	000010421
11 Control Board Mounting Bracket	000007564
12 Control Board Mounting Supports	4302253
13 PTCR Compressor Starter Mounting Bracket	8505013
14 Capacitor Mounting Strap	6024953
15 Screws, #10-24 x 0.50 Ground	5202169
a. Star Washer	5573209
16 Screw, #10-24 x 0.50	5202069
17 Lockwashers	5573209
18 Control Box Bushings	
a. Large (1)	2500019
b. Small (4)	2501409
19 Control Box Wiring Harness (Not shown)	
a. 230/60/1	000007179
b. 230/60/3	000007181
c. 230/50/1	000007180
d. 460/60/3	000008020
e. Harvest Air Assist Pump	2007439
20 Compressor Compartment Wiring Harness (Not shown)	
a. Air-cooled	000007178
b. Water-cooled	000007176
c. Remote Air-cooled	000007175
21 Electrical Noise Filter Wiring Harness	
a. 460/60/3	000005500

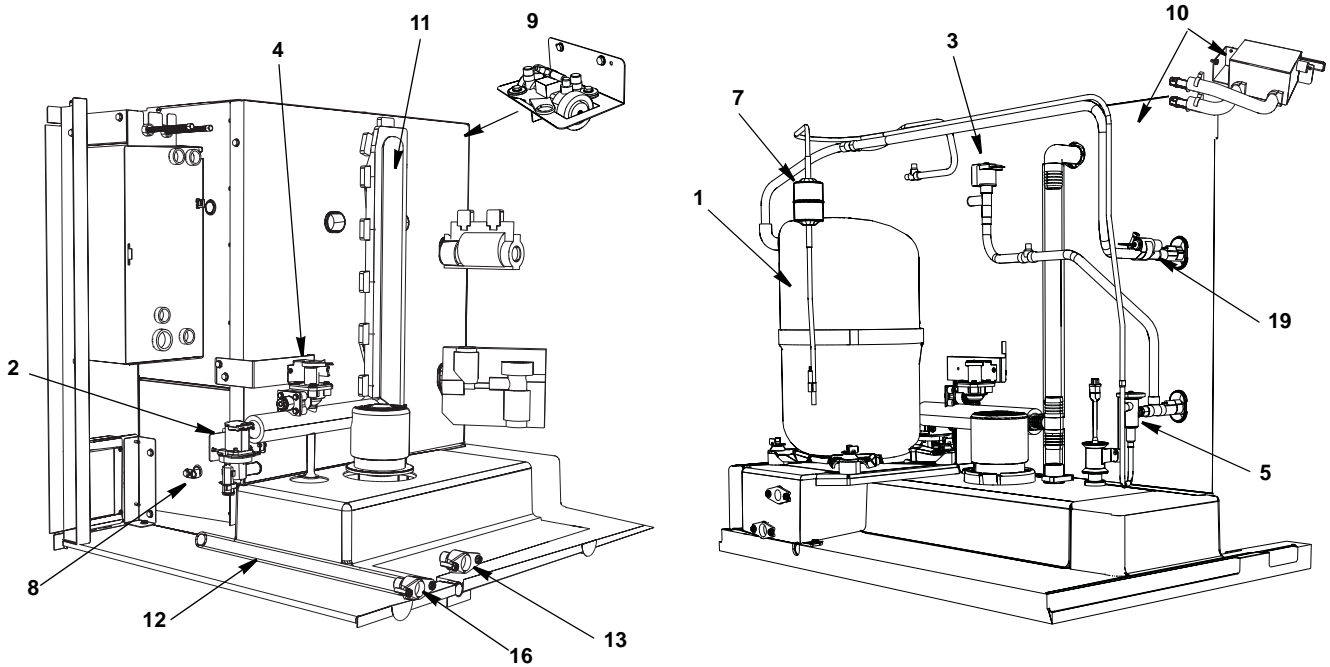
i1000 EVAPORATOR COMPARTMENT - COMMON COMPONENTS



DESCRIPTION

	DESCRIPTION	PART NO.
1	Evaporator Assembly	
	a. Dice Cube	7602283
	b. Half Dice Cube	7602273
2	Water Pump	
	a. 230V/60 Hz 1/3PH	8251139
	b. 230/50/1	8252709
3	Water Level Probe.	
	a. Wire, control box to probe (Not shown)	000007052
	b. Holder	000007724
	c. Screw (Mount Water Level Probe Holder)	000007053
		5202099
4	Ice Thickness Control Probe	00008660
5	Water Curtain (Not shown)	4010989
6	Water Distribution Tube Assembly	7602193
	a. O-rings (Back of Distribution Assembly)	5004649
7	Water Trough	4003609
8	Foodzone Seal Panel	00009055
9	Evaporator Top Filler Panel	4008469
	a. Stainless Steel Clamp	6063339
	b. Clamp Screw	5202099
10	Evaporator Top Frame Assembly	7602203
11	Water Diverter	7602213
	a. Thumbscrew	5305123
12	LCD Display	00006728
13	Touch Pad with Housing	000007926
14	LCD Wiring Harness (Not shown)	000007737
15	Touch Pad/Housing Mounting Bracket	00006697
16	Front Panel LCD Frame	
	a. With Key Guard	00006647
	b. Without Key Guard	00006564
	c. Display Cover (hides the display completely)	K00433
17	Ice Deflector (Not shown)	00006700
Miscellaneous – Brackets, Screws, etc.		
18	Screw, (Water Distribution Tube Mounting) Each	5004799
	a. O-ring	5004629
19	Screw, #12-16 x 0.687 Used to Mount Evaporator (Each)	5004619
20	Water Pump Base O-ring	5004659
21	Water Pump Outlet O-ring	5004679

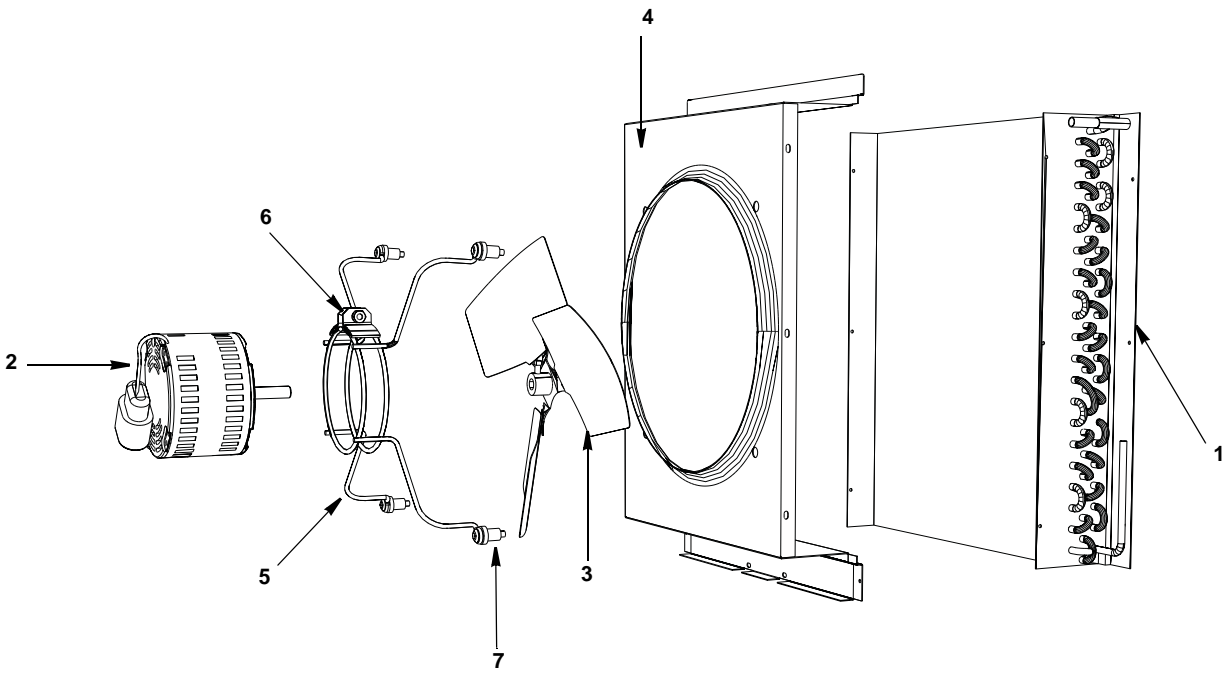
i1000 REFRIGERATION COMPARTMENT – COMMON PARTS



DESCRIPTION

		PART NO.
1	Compressor	
	a. 208-230V/60 Hz/1 Ph	000007748
	b. 208-230V/60 Hz/3 Ph	000007749
	c. 230V/50 Hz/1 Ph	000007750
	d. Molded Plug	000005176
2	Water Dump Valve (with bracket)	
	a. Dump Valve, 208-230V/50-60 Hz	000001768
	b. Mounting Bracket	6058459
	c. Dump Valve Tubing 3.25 inches	4420383
3	Harvest Valve	
	a. Harvest Valve Including 208-230V / 50-60 Hz Electrical Coil	000007015
	b. Harvest Valve 208-230V Coil Only Danfoss	000005157
4	Water Inlet Valve	
	a. Water Inlet Valve Including 208-230V/ 50-60 Hz Coil	000007966
	b. Water Inlet Valve Bracket	000007594
5	Expansion Valve	
	a. Expansion Valve Body Insulation Boot	7602253
	b. Expansion Valve Bulb Insulation Boot	4000363
6	Thermistors with Spring Clips	4007203
7	Drier	000008310
8	Magnetic Bin Switch	8930259
	a. Wiring Harness	000007888
9	Air Assist	000007410
	a. 230V with brackets	000007223
	b. Manifold Tee (Air Pump Tubing Outlet)	4011739
	c. Bracket	000006489
	d. Nozzle	3001453
10	LuminIce	K00424
	a. LuminIce Bulb	K00425
	b. LuminIce Wiring Harness	000007409
	c. Bulkhead Fitting 2.25"	000007990
	d. Bulkhead Fitting 2.75"	000008269
11	Insulated Tube (vinyl tubing from distribution tube to water pump & dump valve)	000003406
	a. Clamp 0.859/0.989 ID	5650603
	b. Clamp 0.799/0.899 ID	5650703
12	Vinyl Tubing 0.625 ID (dump valve to drain adapter)	000001382
	a. Insulation	6038831
	b. Clamp	5650709
Miscellaneous – Brackets, Screws, etc.		
13	Water Inlet Wing Adapter	8706093
	a. Adapter Plastic Fitting	1360961
14	Water Inlet Valve Tubing	4010439
15	Connector Water Inlet Valve	1360989
16	Water Drain Wing Adapter	8706133
17	Compressor Mounting	
	a. Base	6061709
	b. Rubber Grommet	† 8503069
	c. Sleeve	8503949
	d. Bolt	5004819
	e. Nut	5004829
18	Clamp, Expansion Valve Bulb	5650529
19	Copper Bulb Strap	3000503
20	Screw, #10-24 x 0.50	5202069

i1000 Refrigeration Compartment – Air-cooled



DESCRIPTION

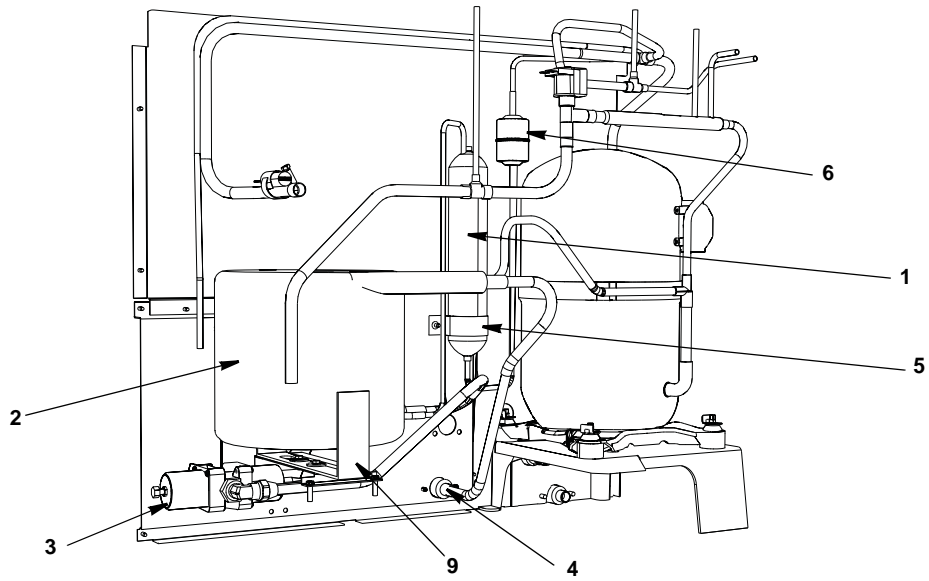
	DESCRIPTION	PART NO.
1	Air Condenser	8252399
2	Fan Motor (208-230V/60 Hz or 230V/50 Hz)	000003033
3	Fan Blade	2416123

Miscellaneous – Brackets, Screws, etc.

4	Fan Shroud	6058119
5	Fan Motor Bracket	3006843
6	Fan Motor Mounting	
	a. Screw	† 5033589
	b. Lockwasher	† 5545109
	c. Hexnut	† 5429529
7	Fan Bracket Mounting	
	a. Screw	5032389
	b. Lockwasher	† 5545109
	c. Flatwasher	† 5573059
	d. Rubber Wellnut	† 5429559
8	Screw, #10-24 x 0.50	† 5202069

† Refer to Cross Reference Guide

i1000 REFRIGERATION COMPARTMENT – Water-cooled



DESCRIPTION

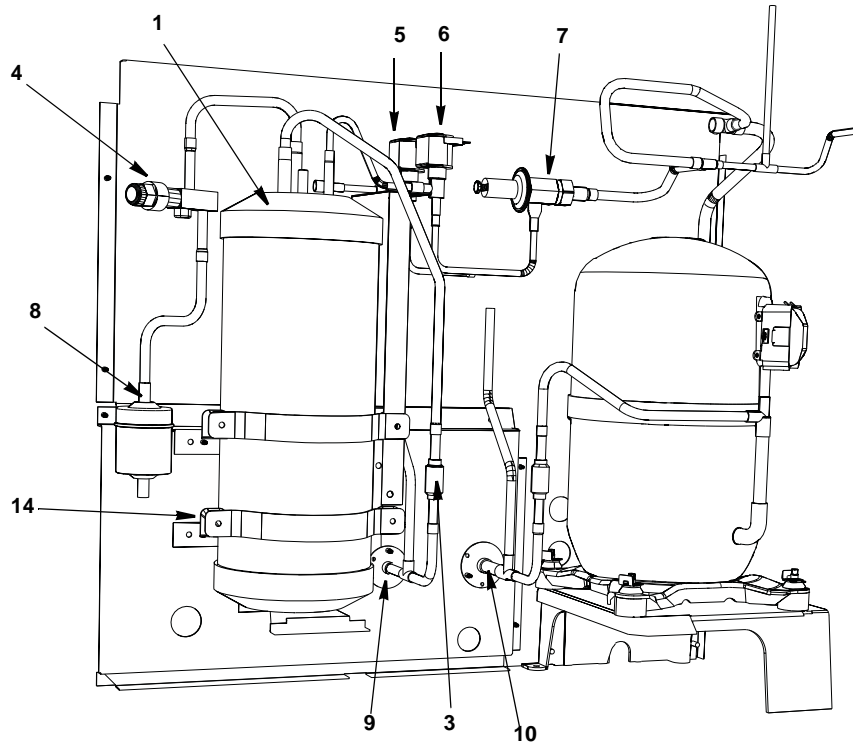
	PART NO.
1 Receiver	000008893
2 Water-cooled Condenser	† 000001507
3 Water Regulating Valve	000007546
4 Condenser Water Drain Female Wing Adapter	8706083

Miscellaneous – Brackets, Screws, etc.

5 Receiver Strap	6000541
6 Elbow 0.50 MF x 0.375 MPT	5002249
7 Screw, #10-24 x 0.50	5202063
8 Washer	5573419
9 Base, Water Condenser/Receiver	6058659

† Refer to Cross Reference Guide

i1000 REFRIGERATION COMPARTMENT – REMOTE



DESCRIPTION

PART NO.

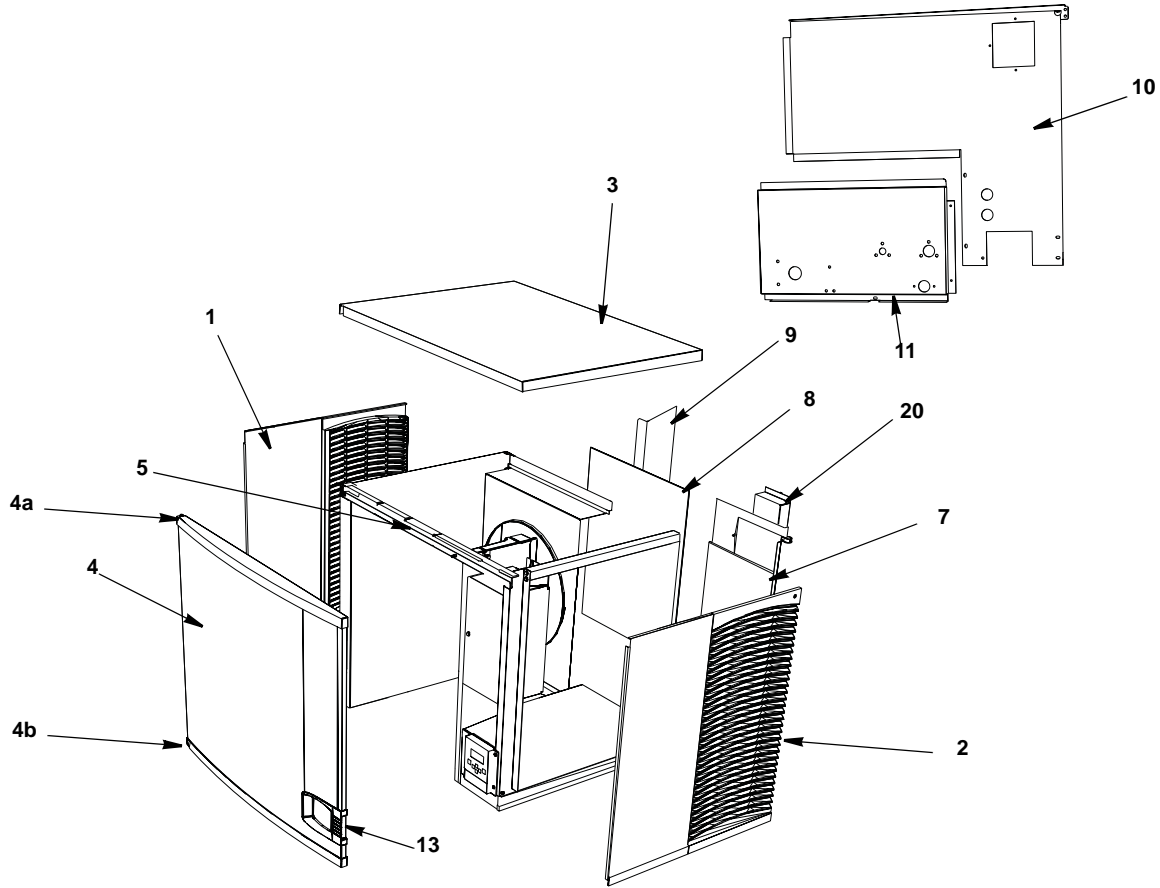
1	Receiver	7629573
2	Drier	8930279
3	Magni-Check Valve	† 8373149
4	Refrigeration Service Valve	† 8373169
	a. Cap for Refrigeration Service Valve	5650759
5	Harvest Pressure Regulating Solenoid (HPR) Valve	
	a. HPR Valve Including 208-230V / 50-60 Hz Electrical Coil (Danfoss)	000007034
	b. HPR Valve 208-230V / 50-60 Hz Coil Only Danfoss	000005157
6	Liquid Line Solenoid (LLS) Valve	
	a. LLS Valve Including 208-230V / 50-60 Hz Electrical Coil (Danfoss)	000007032
	b. LLS Valve 208-230V / 50-60 Hz Coil Only Danfoss	000005157
7	Harvest Pressure Regulating Valve (HPR)	† 8367793
8	Drier	8930279
9	Coupling – Male, 5/8-18	† 8360343
10	Coupling – Male, 1-1/6-12	† 8360353

Miscellaneous – Brackets, Screws, etc.

11	Coupling Mounting Flange for 5/8-18	8360053
12	Coupling Mounting Flange for 1-1/16-12	8360063
13	Drier Support Bracket	5650619
14	Receiver Mounting	
	a. Bracket	6000561
	b. Strap	6307214
	c. Support Bracket	000006721
	d. Base	6058659
	e. Screw, #10-24 x 0.50	† 5202069

† Refer to Cross Reference Guide

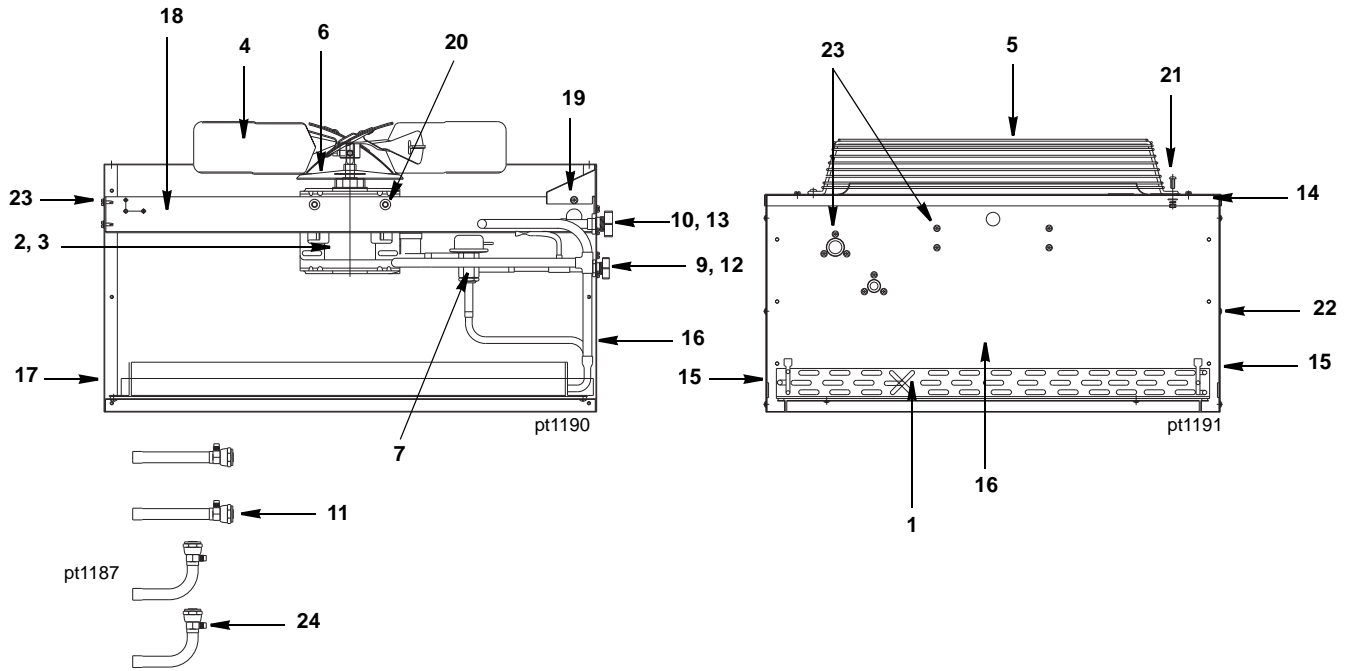
i1000 PANELS



DESCRIPTION

1	Left Side Panel	00005224
2	Right Side Panel	00005222
3	Top Cover	00006699
4	Front Panel Assembly	00006578
	a. Top Endcap	00006538
	b. Bottom Endcap	00006539
5	Front Top Support	00010051
	Mounting Screw Left Side 8-32 x 1	5005379
	Mounting Screw Right Side 10-24 x 0.50	5005099
6	Back Coupling Panel, Drain/Water Connection (Compressor Base)	6061709
Air-cooled Back Panels		
7	Back Panel with Electrical Connection Box, Air-cooled Models	00007868
8	Air Filter	3005559
9	Air Baffle Assembly	00007502
Water-cooled & Remote Air-cooled Back Panels		
10	Back Panel with Electrical Connection Box	00007870
11	Back Coupling Panel, Water-cooled/Remote Connections	6061739
12	Drain Fitting	8706083
Miscellaneous – Brackets, Screws, etc.		
13	Front Panel LCD Frame	
	a. With Key Guard	00006647
	b. Without Key Guard	00006564
	c. Display Cover (hides the display completely)	K00433
14	Door Screw	5004899
15	Bottom Door Frame	7602263
	a. Mounting Screw Left Side 8-32 x 1 PHIL	5005379
	b. Mounting Screw Right Side 10-24 x 0.50 PHIL	5202099
16	Left Door Pivot Leaf Hinge (Top or Bottom)	3005579
	a. Mounting Screw 8-32 x 1 PHIL	5005379
17	Left Top Channel	6068649
18	Right Corner Post	6061779
19	Right Top Channel	6062579
20	Electrical Box on Rear of Ice Machine	
	a. Box with Cover	Included in Back Panel Assembly
	b. Terminal Block 3 Pole	2006143
	c. Groundscrew #10-24 x 0.50	5202169

JC995 Remote Condenser



DESCRIPTION

	DESCRIPTION	PART NO.
1	Air Condenser	† 8850629
2	Fan Motor (208-230V / 50-60 Hz/1 Ph)	† 7629413
3	Fan Motor Run Capacitor (Emerson)	8504583
4	Fan Blade	2416113
5	Fan Guard	3400643
6	Rain Slinger	2415053
7	Head Pressure Control	000002369
8	Fan Cycle Control	000007580
9	Coupling – Male, 5/8-18	† 8360343
10	Coupling – Male, 1-1/6-12	† 8360353
11	Female Line Set Coupling Kit (Sold as Finished Goods Sales Kit)	..Sales K0129

Miscellaneous – Brackets, Screws, etc.

12	Coupling Mounting Flange (for 5/8-18)	8360053
13	Coupling Mounting Flange (for 1-1/16-12)	8360063
14	Top Cover	† 6017751
15	Panel – Side	† 6017741
16	Panel – Rear	† 6017731
17	Panel – Front	† 6017721
18	Fan Motor Mounting Bracket	† 6017681
19	Electrical Box Cover	† 6017761
20	Fan Motor Mounting Screw (5/16-18 x 5/8)	† 5035659
	a. Fan Motor Mounting Flatwasher	† 5573099
	b. Fan Motor Mounting Lockwasher	† 5573139
	c. Fan Motor Mounting Hexnut	5429759
21	Fan Guard Mounting Screw (1/4-20 x 5/8)	† 5033459
	a. Fan Guard Mounting Flatwasher	† 5573049
	b. Fan Guard Mounting Lockwasher	† 5545119
	c. Fan Guard Mounting Hexnut	† 5429529
22	Panel/Condenser Mounting Screw (#8 x 1/2)	† 5121539
	a. Panel/Condenser Mounting Lockwasher	† 5544599
23	Screw (#10-24 x 1/2)	† 5202069
24	Valve Cores (used in line sets)	7626843
25	Legs (Not shown)	† 6017691

INTENTIONALLY LEFT BLANK