



Ice Machine Parts List for Series i-600 Models

iD0602A

iY0604A

iD0603W

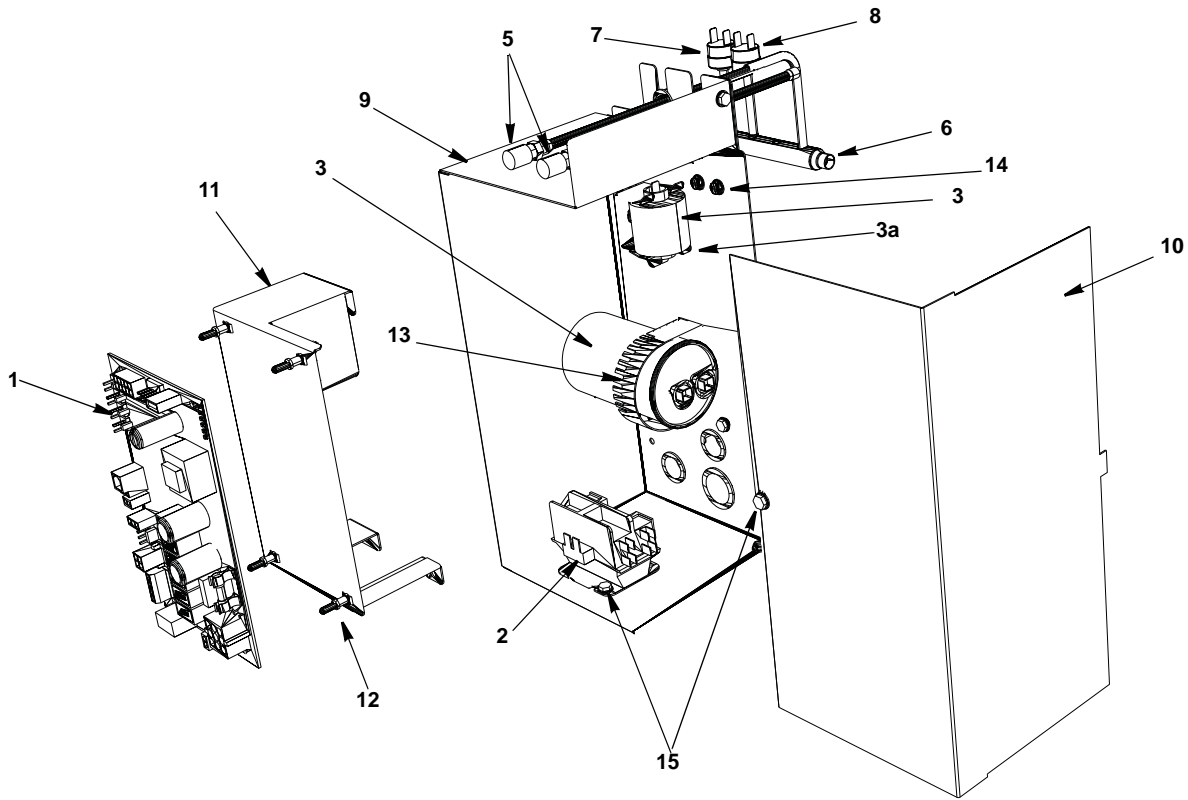
iY0605W

iD0692N

iY0694N

JC0895

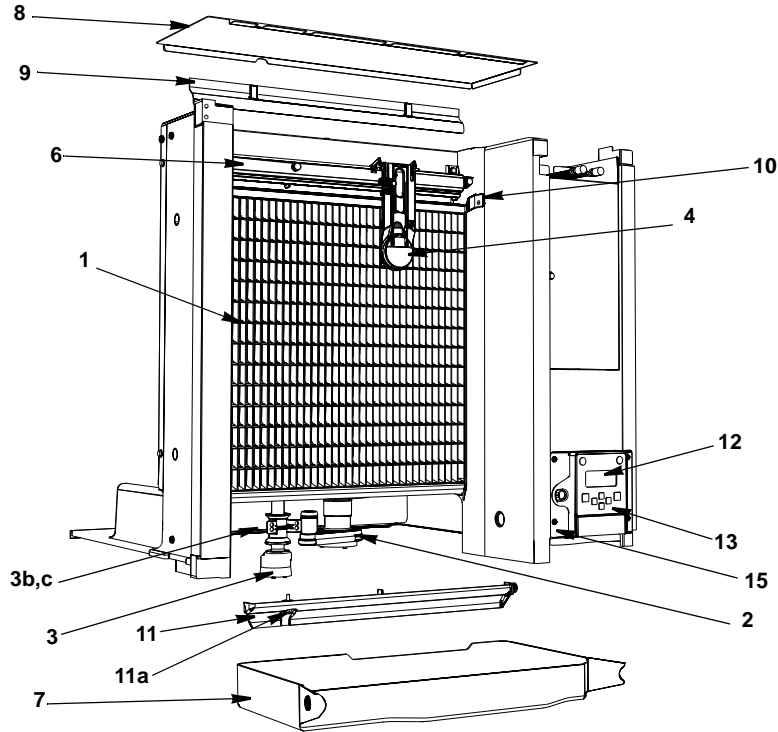
i600 CONTROL BOX



DESCRIPTION

	PART NO.
1 Control Board (for use with all voltages)	000008309
a. 8 amp Ceramic Fuse – Mounted on Control Board.	000009181
2 Contactor	
a. 208-230V/60 Hz/1ph or 230V/50 Hz/1ph	20-0659-9
3 PTCR Compressor Starter	85-0499-3
a. Bracket	85-0501-3
4 Compressor Run Capacitor	
a. 208-230V/50-60 Hz/1ph	85-0393-3
5 Refrigeration Service Valve Assembly	83-7326-3
6 Manifold Strainer	82-5104-9
a. Bracket	605857-1
7 High Pressure Cut-out (Auto Reset)	20-0124-3
8 Fan Cycling Control	† 20-0126-3
Miscellaneous – Brackets, Screws, etc.	
9 Control Box	000008279
10 Control Box Cover	000007569
11 Control Board Mounting Bracket	000007564
12 Control Board Mounting Supports	43-0225-3
13 Capacitor Mounting Strap	602495-3
14 Screws, #10-24 x .50 Ground	52-0216-9
a. Star Washer	55-7320-9
15 Screw, #10-24 x .50	52-0206-9
16 Lockwashers	55-7320-9
17 Control Box Bushings	
a. Large (1)	25-0001-9
b. Small (4)	25-0140-9
18 Control Box Wiring Harness (Not shown)	
a. 230/60/1	000007179
b. 230/50/1	000007180
19 Compressor Compartment Wiring Harness (Not shown)	
a. Air-cooled	000007185
b. Water-cooled	000007177
c. Remote Air-cooled	000007184

i600 EVAPORATOR COMPARTMENT - COMMON COMPONENTS

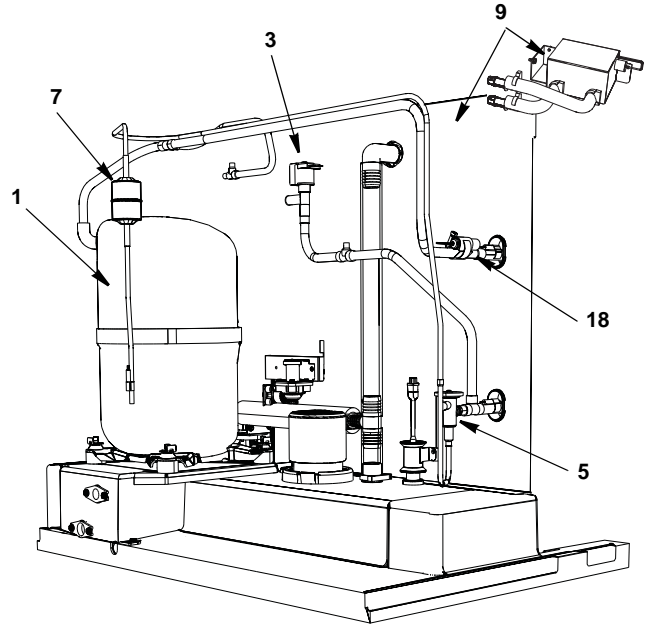
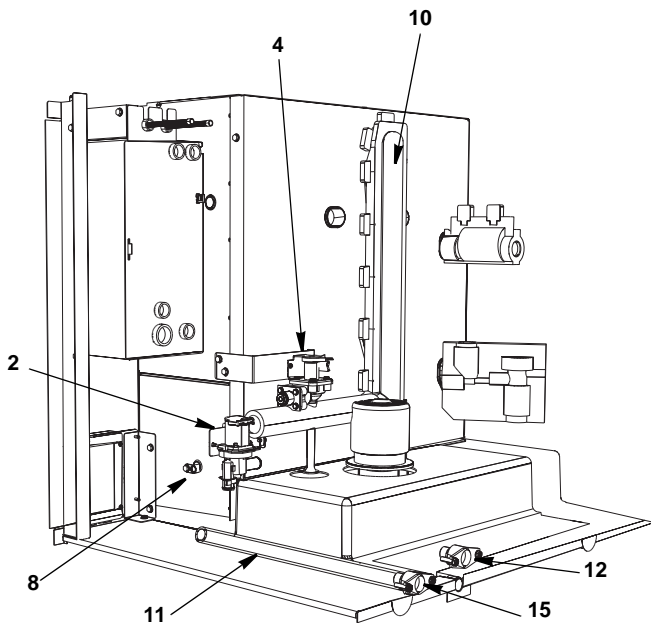


DESCRIPTION

PART NO.

1	Evaporator Assembly	
	a. Dice Cube	76-0283-9
	b. Half Dice Cube	76-0284-9
2	Water Pump	
	a. 230V/60 Hz 1/3PH	20-0739-9
	b. 230/50/1	82-5210-9
3	Water Level Probe.	000007052
	a. Wire, control box to probe (Not shown)	000007099
	b. Holder	000007053
	c. Screw (Mount Water Level Probe Holder)	52-0209-9
	Ice Thickness Control Probe	000008660
4	Water Curtain (Not shown)	40-1097-9
5	Water Distribution Tube Assembly	76-0219-3
	a. O-Rings (Back of Distribution Assembly)	50-0464-9
6	Water Trough	40-0360-9
7	Foodzone Seal Panel	000007613
8	Evaporator Top Filler Panel	40-0846-9
	a. Stainless Steel Clamp	606333-9
	b. Clamp Screw	52-0209-9
9	Evaporator Top Frame Assembly	76-0220-3
10	Water Diverter	76-0221-3
	a. Thumbscrew	53-0512-3
11	LCD Display	000006728
12	Touch Pad with Housing	000007926
13	LCD Wiring Harness (Not shown)	000007737
14	Touch Pad/Housing Mounting Bracket	000006697
15	Front Panel LCD Frame	
	a. With Key Guard	000006647
	b. Without Key Guard	000006564
	c. Display Cover (hides the display completely)	K00433
16	Ice Deflector (Not shown)	000006700
Miscellaneous – Brackets, Screws, etc.		
17	Screw, (Water Distribution Tube Mounting) Each	50-0479-9
	a. O-Ring	50-0462-9
18	Screw, #12-16 x .687 Used to Mount Evaporator (Each)	50-0461-9
19	Water Pump Base O-Ring	50-0465-9
20	Water Pump Outlet O-Ring	50-0467-9

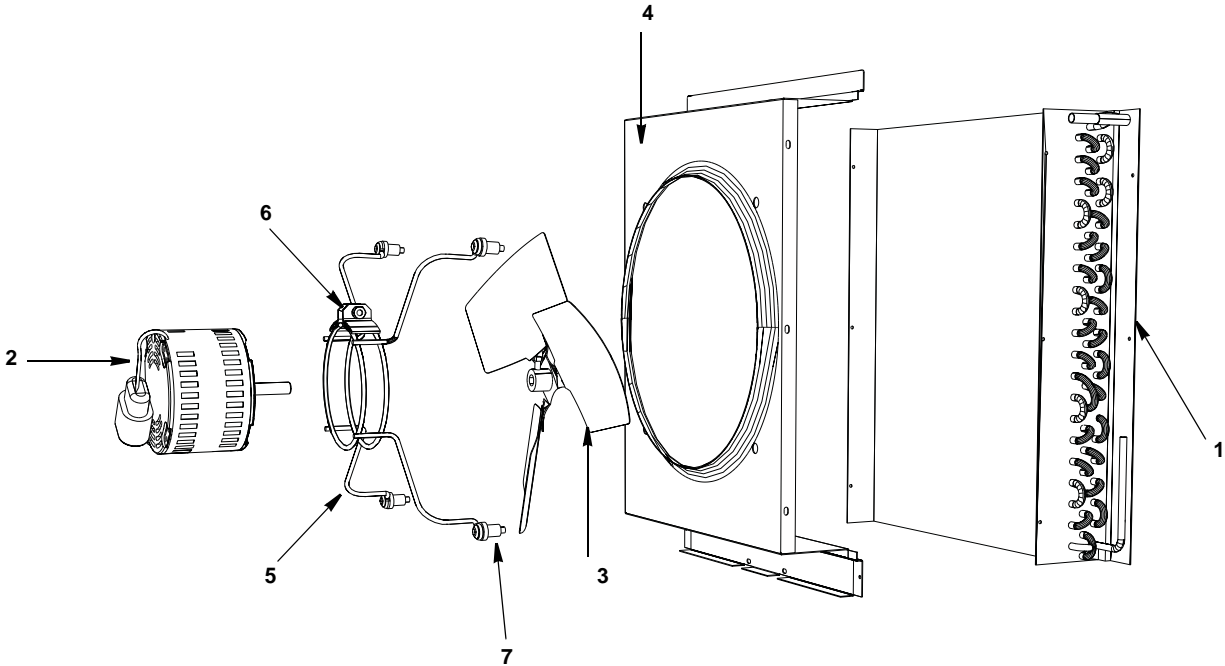
i600 REFRIGERATION COMPARTMENT – COMMON PARTS



DESCRIPTION

	DESCRIPTION	PART NO.
1	Compressor	
	a. 208-230V/60 Hz/1 Ph	76-0291-3
	b. 220V/50 Hz/1 Ph	76-0292-3
	c. Molded Plug	20-0623-3
2	Water Dump Valve (with bracket)	
	a. 208-230V/50-60 Hz	000001768
	b. Mounting Bracket	605845-9
	c. Dump Valve Tubing 3.25 inches	44-2038-3
3	Harvest Valve	
	a. Harvest Valve Including 208/230V 50/60 Hz Electrical Coil	000007019
	b. Harvest Valve 208/230V Coil Only Danfoss	000005157
4	Water Inlet Valve	
	a. Water Inlet Valve Including 208-230V/50-60 Hz Coil	000007966
	b. Water Inlet Valve Bracket	000007594
5	Expansion Valve	
	a. Air-cooled	76-0158-3
	a. Water-cooled & Remote	76-0019-3
	a. Expansion Valve Body Insulation Boot	40-0036-3
	b. Expansion Valve Bulb Insulation Boot	40-0720-3
6	Thermistors with Spring Clips	000008310
7	Drier	
	a. Air & Water-cooled	89-3025-9
	b. Remote	89-3027-9
8	Magnetic Bin Switch	000007888
	a. Wiring Harness	000007410
9	LuminIce	K00424
	a. LuminIce Bulb	K00425
	b. LuminIce Wiring Harness	000007409
	c. Bulkhead Fitting 2.25"	000007990
	d. Bulkhead Fitting 2.75"	000008269
10	Insulated Tube (vinyl tubing from distribution tube to water pump & dump valve)	000003405
	a. Clamp 0.859/0.989 ID	56-5060-3
	b. Clamp 0.799/0.899 ID	56-5070-3
11	Vinyl Tubing 0.625 ID (dump valve to drain adapter)	000001382
	a. Insulation	603883-1
	b. Clamp	56-5070-9
Miscellaneous – Brackets, Screws, etc.		
12	Water Inlet Wing Adapter	87-0609-3
	a. Adapter Plastic Fitting	13-6096-1
13	Water Inlet Valve Tubing	40-1043-9
14	Connector Water Inlet Valve	13-6098-9
15	Water Drain Wing Adapter	87-0613-3
16	Compressor Mounting	
	a. Base	606170-9
	b. Rubber Grommet	† 85-0306-9
	c. Sleeve	85-0394-9
	d. Bolt	50-0481-9
	e. Nut	50-0482-9
17	Clamp, Expansion Valve Bulb	56-5052-9
18	Copper Bulb Strap	30-0050-3
19	Screw, #10-24 x .50	52-0206-9

i600 Refrigeration Compartment – Air-Cooled



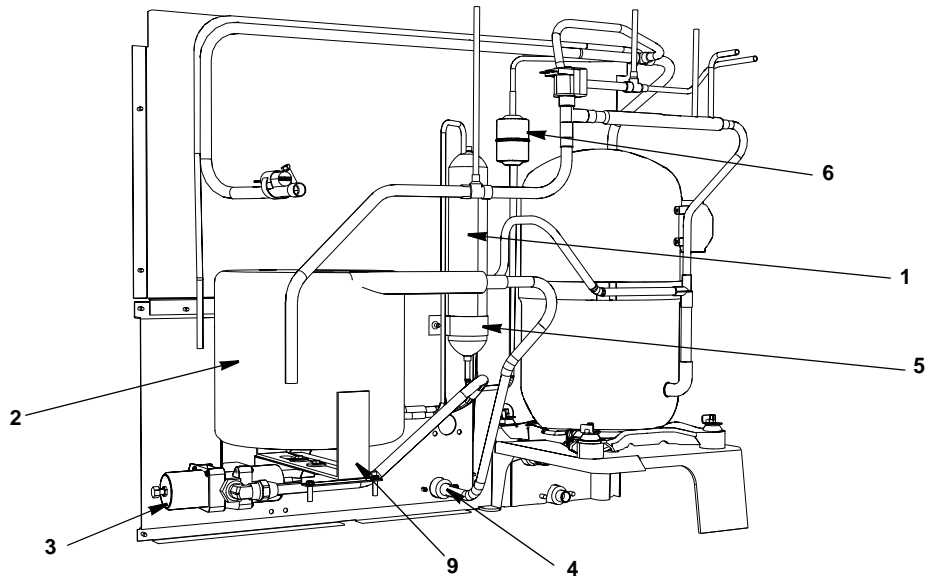
DESCRIPTION

	DESCRIPTION	PART NO.
1	Air Condenser	82-5294-9
2	Fan Motor	
	a. 208-230V/60 Hz or 230V/50 Hz	000002315
3	Fan Blade.....	24-1617-3

Miscellaneous – Brackets, Screws, etc.

4	Fan Shroud	000002485
5	Fan Motor Bracket	606186-9
6	Fan Motor Mounting Screw	† 50-3358-9
	a. Fan Motor Mounting Lockwasher	† 55-4510-9
	b. Fan Motor Mounting Hexnut	† 54-2952-9
7	Fan Bracket Mounting	
	a. Screw	50-3238-9
	b. Lockwasher.....	† 55-4510-9
	c. Flatwasher	† 55-7305-9
	d. Rubber Wellnut	† 54-2955-9
8	Screw, #10-24 x .50	† 52-0206-9

i600 REFRIGERATION COMPARTMENT – WATER-COOLED



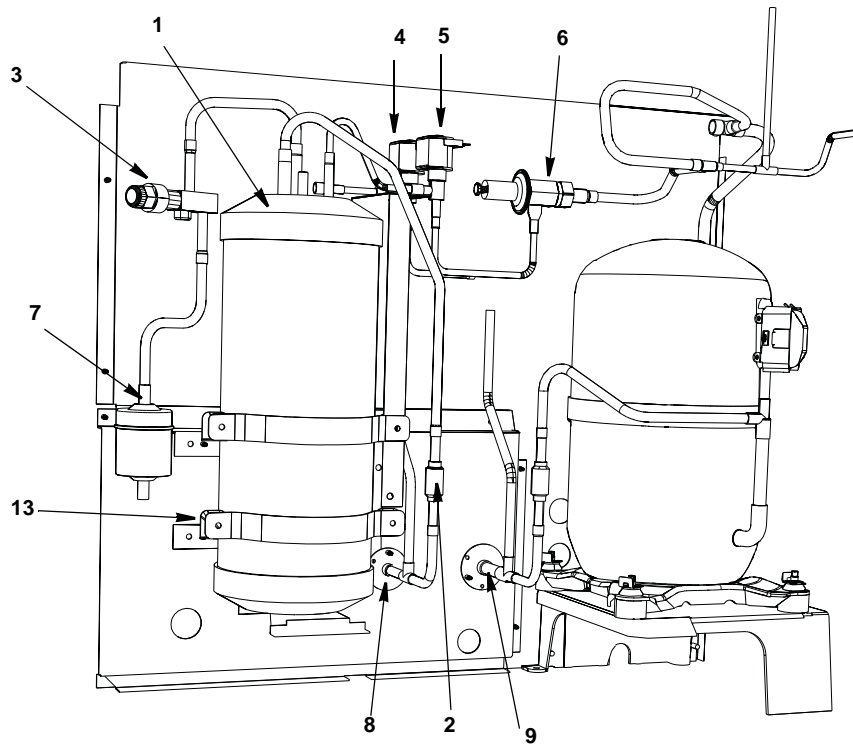
DESCRIPTION

	PART NO.
1 Receiver	12-0003-1
2 Water-cooled Condenser	82-5303-9
3 Water Regulating Valve	82-5282-9
a. Bracket	000007695
4 Condenser Water Drain Female Wing Adapter	87-0608-3

Miscellaneous – Brackets, Screws, etc.

5 Receiver Strap	600054-1
6 Elbow 3/8 MF x 3/8 MPT	50-0215-9
7 Screw, #10-24 x .50	52-0206-3
8 Washer	55-7341-9
9 Base, Water Condenser/Receiver	605865-9

i600 REFRIGERATION COMPARTMENT – REMOTE



DESCRIPTION

PART NO.

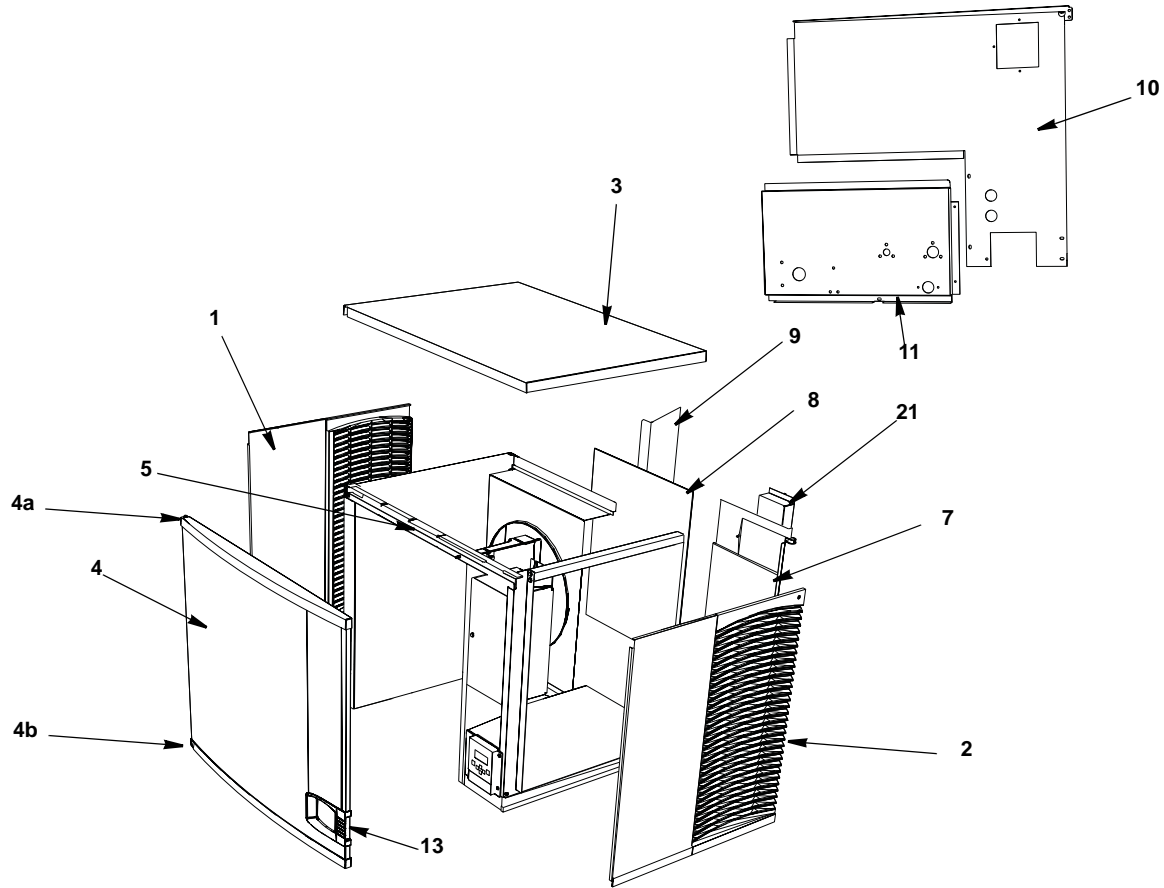
1	Receiver	82-5058-3
2	Magni-Check Valve	† 83-7314-9
3	Refrigeration Service Valve	† 83-7316-9
	a. Cap for Refrigeration Service Valve	56-5075-9
4	Harvest Pressure Regulating Solenoid (HPR) Valve	
	a. HPR Valve Including 230V 50-60 Hz Electrical Coil (Danfoss)	000007034
	b. HPR Valve 230V 50-60 Hz Coil Only Danfoss	000005157
5	Liquid Line Solenoid (LLS) Valve	
	a. LLS Valve Including 230V 50-60 Hz Electrical Coil (Danfoss)	000007032
	b. LLS Valve 230V 50-60 Hz Coil Only Danfoss	000005157
6	Harvest Pressure Regulating Valve (HPR)	† 83-6779-3
7	Drier	89-3027-9
8	Coupling – Male, 5/8-18	† 83-6034-3
9	Coupling – Male, 1-1/6-12	† 83-6035-3

Miscellaneous – Brackets, Screws, etc.

10	Coupling Mounting Flange for 5/8-18	83-6005-3
11	Coupling Mounting Flange for 1-1/16-12	83-6006-3
12	Drier Support Bracket	56-5061-9
13	Receiver Mounting	
	a. Bracket (between receiver and panel)	600056-1
	b. Strap	630721-4
	c. Support Bracket	000006721
	d. Base	605865-9
	e. Screw, #10-24 x .50	† 52-0206-9

† Refer to Cross Reference Guide

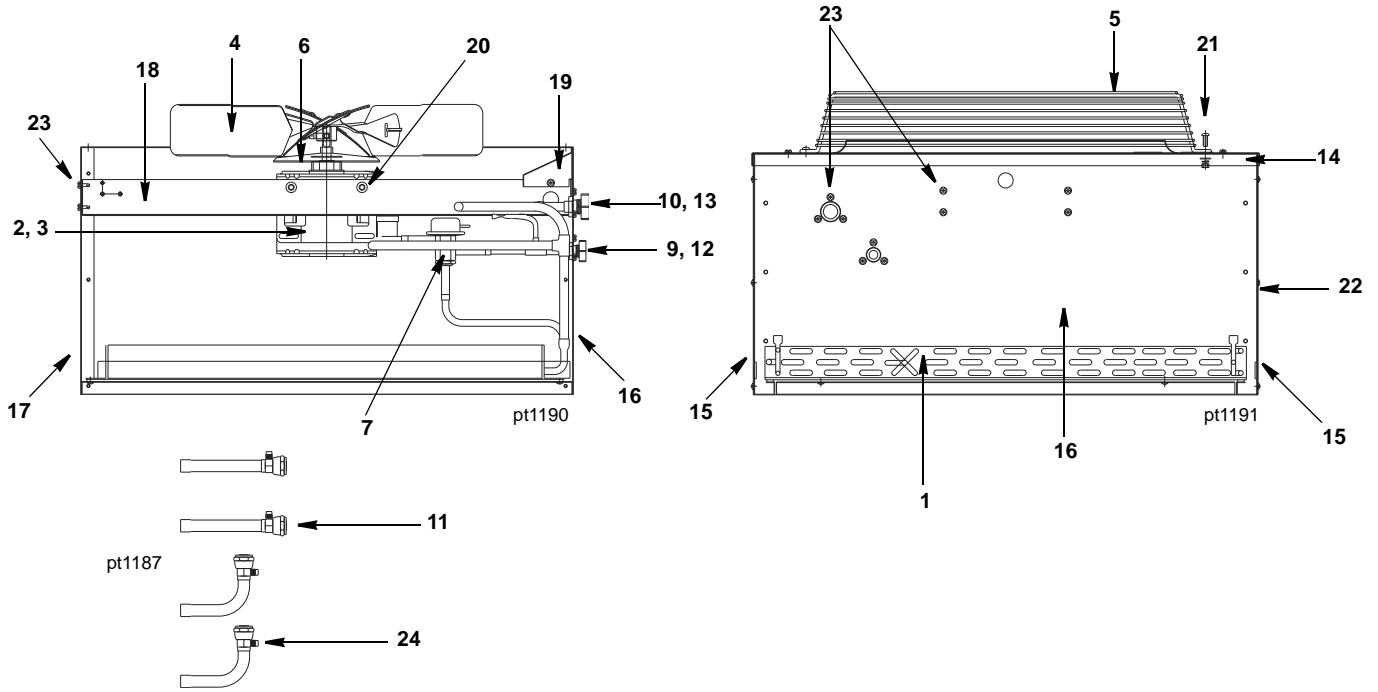
i600 PANELS



DESCRIPTION

	PART NO.
1 Left Side Panel	00005217
2 Right Side Panel	00005215
3 Top Cover	00006699
4 Front Panel Assembly	00006577
a. Top Endcap	00006538
b. Bottom Endcap	00006539
5 Front Top Support	00006730
Mounting Screw Left Side 8-32 x 1	50-0537-9
Mounting Screw Right Side 10-24 x 0.50	50-0509-9
6 Back Coupling Panel, Drain/Water Connection (Compressor Base)	606170-9
Air-Cooled Back Panels	
7 Back Panel with Electrical Connection Box, Air-cooled Models	606595-9
8 Air Filter	30-0568-9
9 Air Baffle Assembly	00007314
Water-Cooled & Remote Air-Cooled Back Panels	
10 Back Panel with Electrical Connection Box	607207-1
11 Back Coupling Panel, Water-Cooled/Remote Connections	606173-9
12 Drain Fitting	87-0608-3
Miscellaneous – Brackets, Screws, etc.	
13 Front Panel LCD Frame	00006647
a. With Key Guard	00006564
b. Without Key Guard	K00433
c. Display Cover (hides the display completely)	50-0489-9
14 Door Screw	76-0226-3
15 Bottom Door Frame	50-0537-9
a. Mounting Screw Left Side 8-32 x 1 PHIL	52-0209-9
b. Mounting Screw Right Side 10/24 x 0.50 PHIL	30-0557-9
16 Left Door Pivot Leaf Hinge (Top or Bottom)	50-0537-9
a. Mounting Screw 8-32 x 1 PHIL	606864-9
17 Left Top Channel	606257-9
18 Right Top Channel	606293-9
19 Left Corner Post	606292-9
20 Right Corner Post	606292-9
21 Electrical Box on Rear of Ice Machine	Included in Back Panel Assembly
a. Box with Cover	20-0614-3
b. Terminal Block 3 Pole	52-0216-9
c. Groundscrew #10-24 x 0.50	

JC0895 REMOTE CONDENSER



DESCRIPTION

	PART NO.
1 Air Condenser	† 88-5062-9
2 Fan Motor (208-230V 50/60 Hz/1 Ph)	† 76-2941-3
3 Fan Motor Run Capacitor (Emerson)	85-0458-3
3 Fan Motor Run Capacitor (Magnatec)	No Longer Available
4 Fan Blade	24-1611-3
5 Fan Guard	34-0064-3
6 Rain Slinger	24-1505-3
7 Head Pressure Control	000004070
8 Terminal Block	000008040
9 Coupling – Male, 5/8-18	† 83-6034-3
10 Coupling – Male, 1-1/6-12	† 83-6035-3
11 Female Line Set Coupling Kit (Sold as Finished Goods Sales Kit)	Sales K0129

Miscellaneous – Brackets, Screws, etc.

12 Coupling Mounting Flange (for 5/8-18)	83-6005-3
13 Coupling Mounting Flange (for 1-1/16-12)	83-6006-3
14 Top Cover	† 601775-1
15 Panel – Side	† 601774-1
16 Panel – Rear	† 601773-1
17 Panel – Front	† 601772-1
18 Fan Motor Mounting Bracket	† 601768-1
19 Electrical Box Cover	† 601776-1
20 Fan Motor Mounting Screw (5/16-18 x 5/8)	† 50-3565-9
a. Fan Motor Mounting Flatwasher	† 55-7309-9
b. Fan Motor Mounting Lockwasher	† 55-7313-9
c. Fan Motor Mounting Hexnut	54-2975-9
21 Fan Guard Mounting Screw (1/4-20 x 5/8)	† 50-3345-9
a. Fan Guard Mounting Flatwasher	† 55-7304-9
b. Fan Guard Mounting Lockwasher	† 55-4511-9
c. Fan Guard Mounting Hexnut	† 54-2952-9
22 Panel/Condenser Mounting Screw (#8 x 1/2)	† 51-2153-9
a. Panel/Condenser Mounting Lockwasher	† 55-4459-9
23 Screw (#10-24 x 1/2)	† 52-0206-9
24 Valve Cores (used in linesets)	76-2684-3
25 Legs (Not shown) (4 Req.)	† 601769-1

† Refer to Cross Reference Guide