



Ice Machine Parts List for Series i450 Models

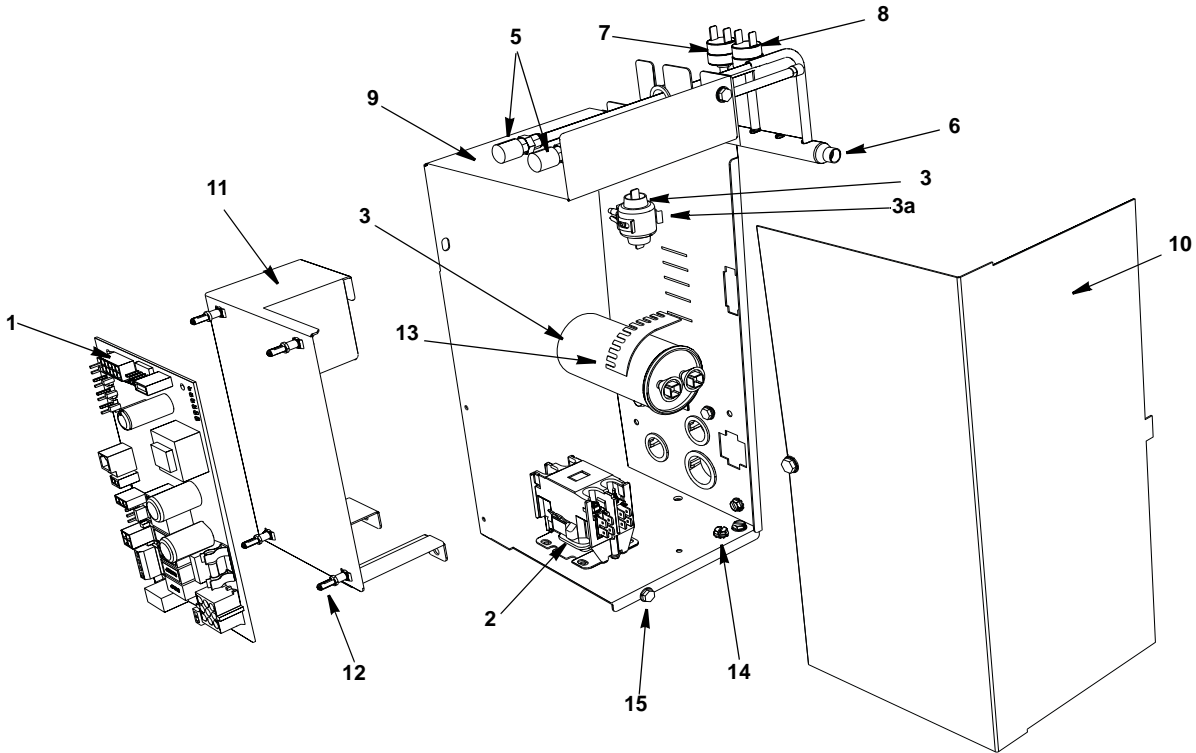
iD0452A

iY0454A

iD0453W

iY0455W

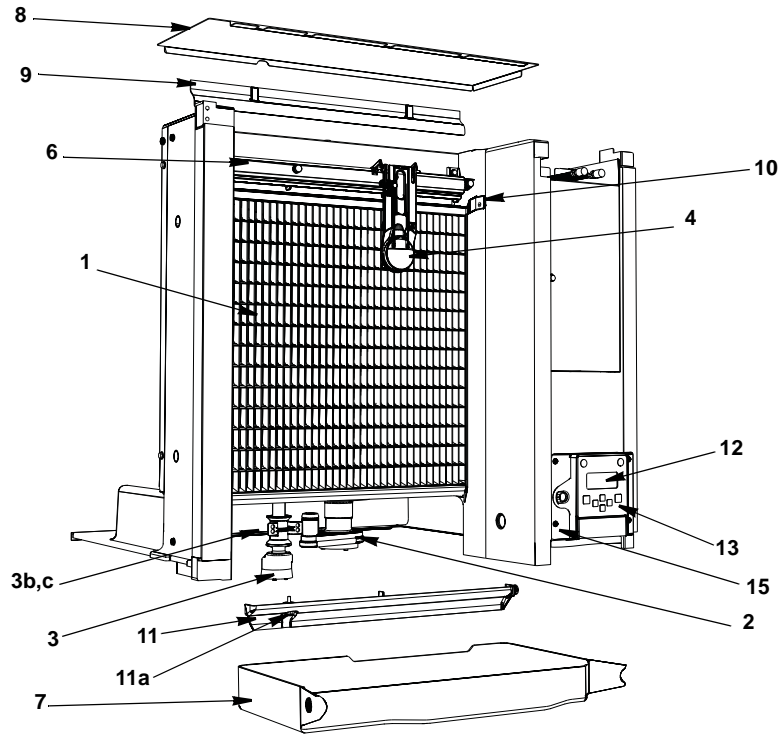
i450 CONTROL BOX



DESCRIPTION

DESCRIPTION	PART NO.
1 Control Board (for use with all voltages)	000008309
a. 8 amp Ceramic Fuse – Mounted on Control Board	000009181
2 Contactor	
a. 115V/60 Hz/1ph	2006589
b. 208-230V/60 Hz/1ph or 230V/50 Hz/1ph	2006599
3 PTCR Compressor Starter	8505003
a. Bracket	8505023
4 Compressor Run Capacitor	
a. 115V/60 Hz/1ph	2010133
b. 208-230V/60 Hz/1ph	000007675
c. 208-230V/50 Hz/1ph	8504003
5 Refrigeration Service Valve Assembly	8373263
6 Manifold Strainer	000008364
a. Bracket	6058571
7 High Pressure Cut-out (Auto Reset)	2001243
8 Fan Cycling Control	† 2001263
Miscellaneous – Brackets, Screws, etc.	
9 Control Box	000008279
10 Control Box Cover	000010421
11 Control Board Mounting Bracket	000007564
12 Control Board Mounting Supports	4302253
13 Capacitor Mounting Strap	6024953
14 Screws, #10-24 x 0.50 Ground.	5202169
a. Star Washer	5573209
15 Screw, #10-24 x 0.50	5202069
16 Lockwashers	5573209
17 Control Box Bushings	
a. Large (1)	2500019
b. Small (4)	2501409
18 Control Box Wiring Harness (Not shown)	
a. 115/60/1	000007696
b. 230/60/1	000007179
c. 230/60/3	000007181
d. 230/50/1	000007180
19 Compressor Compartment Wiring Harness (Not shown)	
a. Air-cooled	000007185
b. Water-cooled	000007177

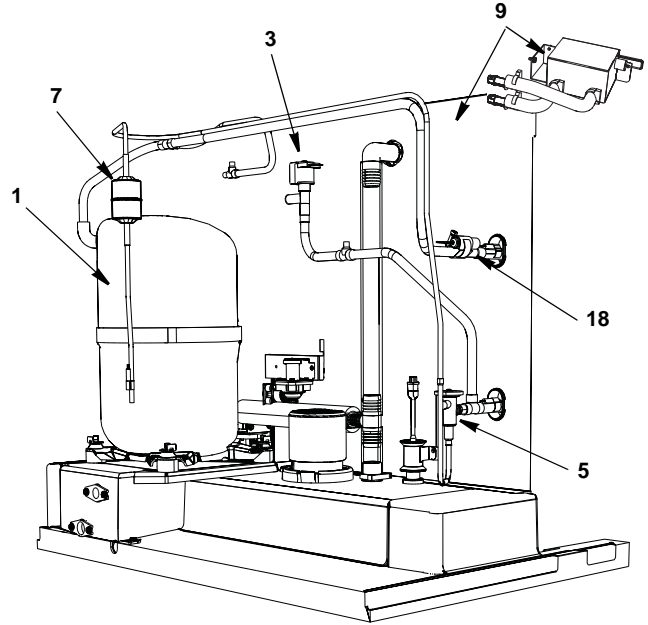
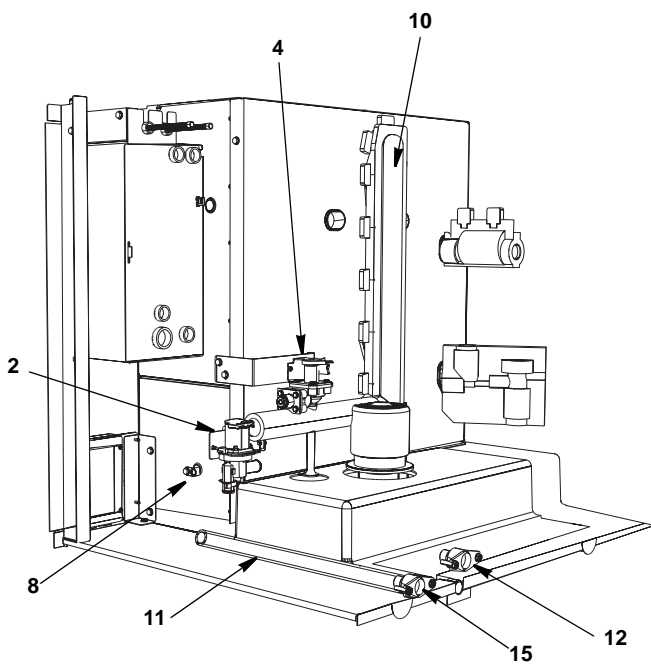
i450 EVAPORATOR COMPARTMENT - COMMON COMPONENTS



DESCRIPTION

	DESCRIPTION	PART NO.
1	Evaporator Assembly	
	a. Dice Cube	7602879
	b. Half Dice Cube	7602889
2	Water Pump	
	a. 115V/60 Hz 1PH	2008929
	b. 230V/60 Hz 1/3PH	2008939
	c. 230/50/1	2008949
3	Water Level Probe.	000007052
	a. Wire, control box to probe (Not shown).	000007099
	b. Holder	000007053
	c. Screw (Mount Water Level Probe Holder)	5202099
4	Ice Thickness Control Probe.	000008660
5	Water Curtain (Not shown)	4011189
6	Water Distribution Tube Assembly	7602789
	a. O-rings (Back of Distribution Assembly)	5004649
7	Water Trough	000002106
8	Foodzone Seal Panel	000009055
9	Evaporator Top Filler Panel	4008469
	a. Stainless Steel Clamp	6063339
	b. Clamp Screw.	5202099
10	Evaporator Top Frame Assembly	7602799
11	Water Diverter.	7602213
	a. Thumbscrew	5305123
12	LCD Display	000006728
13	Touch Pad with Housing	000007926
14	LCD Wiring Harness (Not shown).	000007737
15	Touch Pad/Housing Mounting Bracket	000006697
16	Front Panel LCD Frame	
	a. With Key Guard.	000006647
	b. Without Key Guard	000006564
	c. Display Cover (hides the display completely)	K00433
Miscellaneous – Brackets, Screws, etc.		
17	Screw, (Water Distribution Tube Mounting) Each	5004799
	a. O-ring	5004629
18	Screw, #12-16 x 0.687 Used to Mount Evaporator (Each)	5004619
19	Water Pump Base O-ring	5004659
20	Water Pump Outlet O-ring	5004679

i450 REFRIGERATION COMPARTMENT – COMMON PARTS



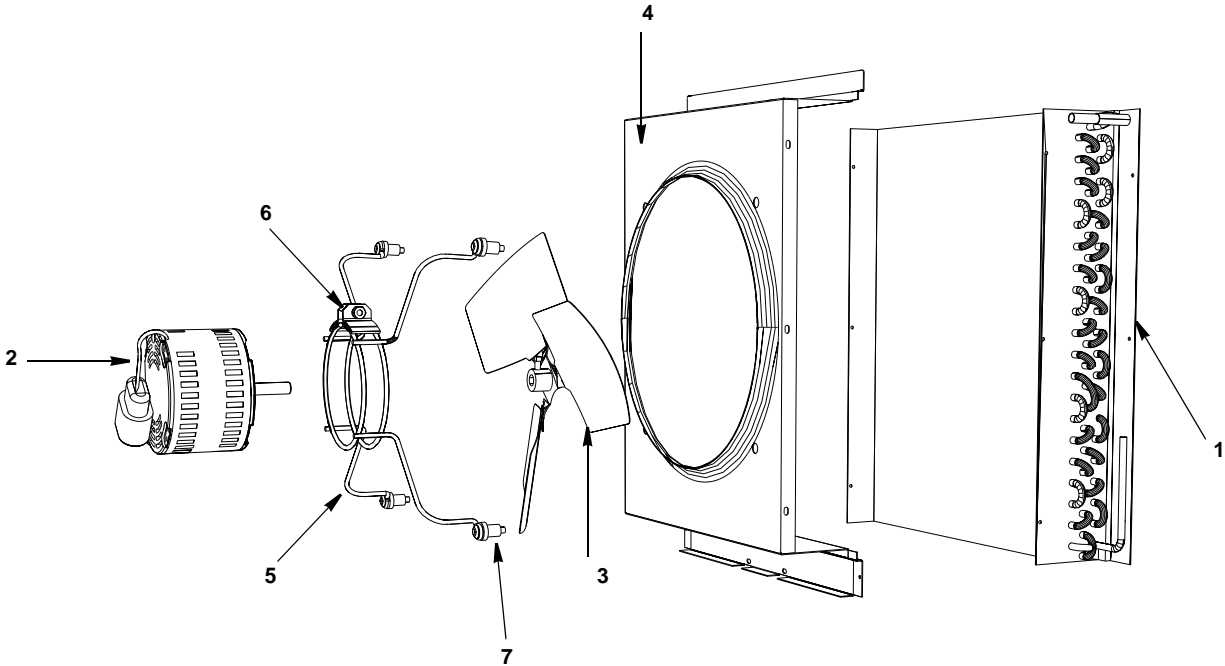
DESCRIPTION

PART NO.

1 Compressor		
a. 115V/60 HZ/1 Ph.	000008740	
b. 208-230V/60 Hz/1 Ph	000008741	
c. 230V/50 Hz/1 Ph.	000008742	
2 Water Dump Valve (with bracket)		
a. 115V/60Hz.	000001767	
a. 208-230V/50-60 Hz.	000001768	
b. Mounting Bracket	6058459	
c. Dump Valve Tubing 3.25 inches	4420383	
3 Harvest Valve		
a. Harvest Valve Including 115V/60 Hz Electrical Coil	000007029	
b. Harvest Valve 115V Coil Only Danfoss	000005156	
c. Harvest Valve Including 208-230V/50-60 Hz Electrical Coil	000007028	
d. Harvest Valve 208-230V Coil Only Danfoss	000005157	
4 Water Inlet Valve		
a. Water Inlet Valve Including 115V/60 Hz Coil	000007965	
b. Water Inlet Valve Including 208-230V/50-60 Hz Coil	000007966	
c. Water Inlet Valve Bracket	000007594	
5 Expansion Valve		
a. Expansion Valve Body Insulation Boot	7602903	
b. Expansion Valve Bulb Insulation Boot.	4000363	
6 Thermistors with Spring Clips		
7 Drier		
8 Magnetic Bin Switch		
a. Wiring Harness	000008310	
9 LuminIce		
a. LuminIce Bulb	8930259	
b. LuminIce Wiring Harness	000007888	
c. Bulkhead Fitting 2.25"	000007410	
d. Bulkhead Fitting 2.75"	K00424	
10 Insulated Tube (vinyl tubing from distribution tube to water pump & dump valve)		
a. Clamp 0.859/0.989 ID	K00425	
b. Clamp 0.799/0.899 ID	000007409	
11 Vinyl Tubing 0.625 ID (dump valve to drain adapter)		
a. Insulation	000007990	
b. Clamp	000008269	
Miscellaneous – Brackets, Screws, etc.		
12 Water Inlet Wing Adapter		
a. Adapter Plastic Fitting	000003405	
13 Water Inlet Valve Tubing		
14 Connector Water Inlet Valve		
15 Water Drain Wing Adapter		
16 Compressor Mounting		
a. Base	5650603	
b. Rubber Grommet	5650703	
c. Sleeve	000001382	
d. Bolt	6038831	
e. Nut	5650709	
17 Clamp, Expansion Valve Bulb		
18 Copper Bulb Strap		
19 Screw, #10-24 x 0.50		
	8706093	
	1360961	
	4010439	
	1360989	
	8706133	
	6061709	
	† 8503069	
	8503949	
	5004819	
	5004829	
	5650529	
	3000503	
	5202069	

† Refer to Cross Reference Guide

i450 Refrigeration Compartment – Air-cooled



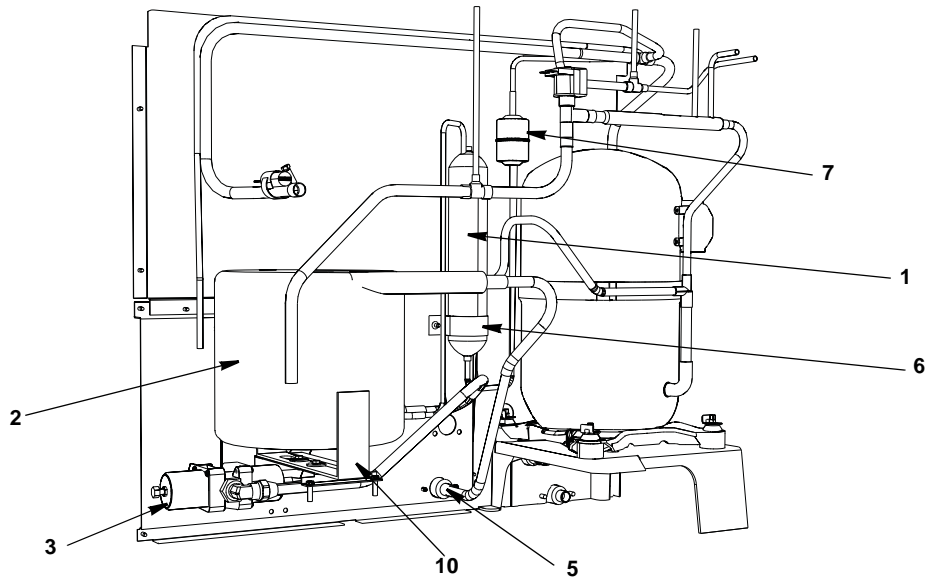
DESCRIPTION

	DESCRIPTION	PART NO.
1	Air Condenser	8252129
2	Fan Motor	
	a. 115V/60 Hz	2412929
	b. 208-230V/60 Hz or 230V/50 Hz	2412939
3	Fan Blade.....	2416203

Miscellaneous – Brackets, Screws, etc.

4	Fan Shroud	6061689
5	Fan Motor Bracket	6061869
6	Fan Motor Mounting Screw	† 5033589
	a. Fan Motor Mounting Lockwasher	† 5545109
	b. Fan Motor Mounting Hexnut	† 5429529
7	Fan Bracket Mounting	
	a. Screw	5032389
	b. Lockwasher.....	† 5545109
	c. Flatwasher	† 5573059
	d. Rubber Wellnut	† 5429559
8	Screw, #10-24 x 0.50	† 5202069

i450 REFRIGERATION COMPARTMENT – Water-cooled

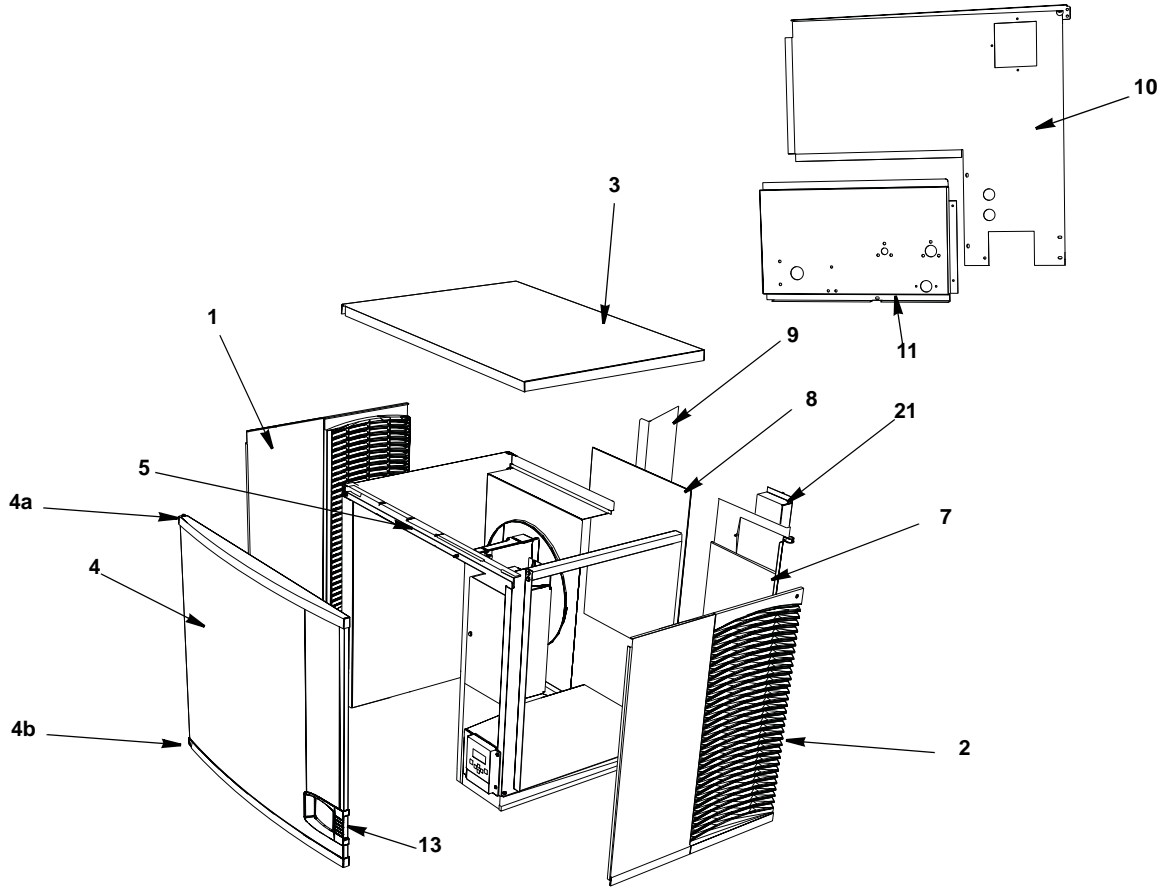


DESCRIPTION

	PART NO.
1 Receiver	000008892
2 Water-cooled Condenser	000000046
3 Water Regulating Valve	000007546
a. Bracket	000007695
4 High Pressure Water Regulating Valve.	000007514
a. Bracket	000007518
b. Panel	000008482
5 Condenser Water Drain Female Wing Adapter	8706083
Miscellaneous – Brackets, Screws, etc.	
6 Receiver Strap	6000541
7 Elbow 3/8 MF x 3/8 MPT	5002159
8 Screw, #10-24 x 0.50	5202063
9 Washer	5573419
10 Base, Water Condenser/Receiver	6058659

† Refer to Cross Reference Guide

i450 PANELS



DESCRIPTION

DESCRIPTION	PART NO.
1 Left Side Panel	00005217
2 Right Side Panel	00005215
3 Top Cover	00006699
4 Front Panel Assembly	00006577
a. Top Endcap	00006538
b. Bottom Endcap	00006539
5 Front Top Support	00010051
Mounting Screw Left Side 8-32 x 1	5005379
Mounting Screw Right Side 10-24 x 0.50	5005099
6 Back Coupling Panel, Drain/Water Connection (Compressor Base)	6061709
Air-cooled Back Panels	
7 Back Panel with Electrical Connection Box, Air-cooled Models	6062039
8 Air Filter	3005939
9 Air Baffle Assembly	00007314
Water-cooled & Remote Air-cooled Back Panels	
10 Back Panel with Electrical Connection Box	6072071
11 Back Coupling Panel, Water-cooled/Remote Connections	6061739
12 Drain Fitting	8706083
Miscellaneous – Brackets, Screws, etc.	
13 Front Panel LCD Frame	
a. With Key Guard	00006647
b. Without Key Guard	00006564
c. Display Cover (hides the display completely)	K00433
14 Door Screw	5004899
15 Bottom Door Frame	7602263
a. Mounting Screw Left Side 8-32 x 1 PHIL	5005379
b. Mounting Screw Right Side 10-24 x 0.50 PHIL	5202099
16 Left Door Pivot Leaf Hinge (Top or Bottom)	3005579
a. Mounting Screw 8-32 x 1 PHIL	5005379
17 Left Top Channel	6068649
18 Right Top Channel	6062579
19 Left Corner Post	6062939
20 Right Corner Post	6062929
21 Electrical Box on Rear of Ice Machine	
a. Box with Cover	Included in Back Panel Assembly
b. Terminal Block 3 Pole	2006143
c. Groundscrew #10-24 x 0.50	5202169

INTENTIONALLY LEFT BLANK