



Ice Machine Parts List for Series i322 Models

iD0322A

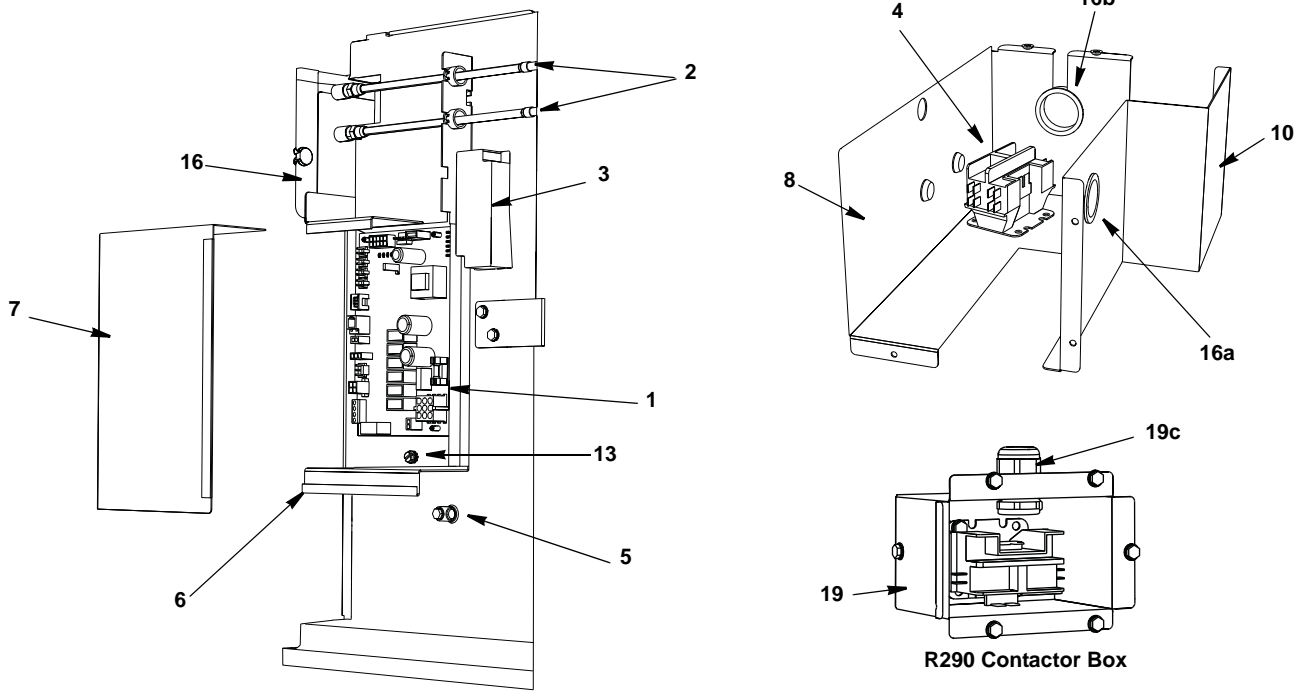
iY0324A

iD0323W

iY0325W

iYP0324A

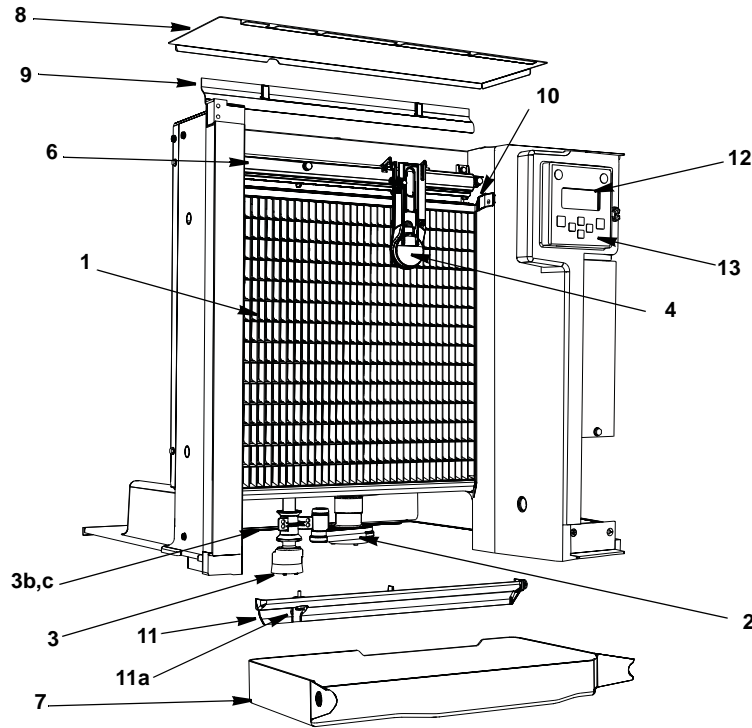
i322 CONTROL BOX



DESCRIPTION

			PART NO.
1	Control Board (for use with all voltages)	000008309	
a.	8 amp Ceramic Fuse – Mounted on Control Board	000009181	
2	Refrigeration Service Valve Assembly	8373263	
3	Luminice Power Supply	K00424	
4	Contactor		
a.	115V/60 Hz/1ph	2006589	
b.	208-230V/60 Hz/1ph.	2006599	
5	Magnetic Bin Switch	000007888	
a.	Wiring Harness	000007410	
Miscellaneous – Brackets, Screws, etc.			
6	Control Board Box	000009213	
7	Control Board Box Cover	000009228	
8	Start Components Box	000008623	
9	Start Components Box Top Cover	6069681	
10	Start Components Box Side Cover	000008620	
11	Control Board Mounting Supports	4302253	
12	Capacitor Mounting Brackets	5005303	
a.	R290 230V/50 Hz/1ph	6021601	
13	Screws, #10-24 x 0.50 Ground.	5202169	
a.	Star Washer	5573209	
14	Screw, #10-24 x 0.50	5202069	
15	Lockwashers	5573209	
16	Control Box Bushings		
a.	0.5" - pack of 6	2502189	
b.	1" - pack of 4	2500019	
c.	1.5" - pack of 2	2500139	
17	Control Box Wiring Harness (Not shown)		
a.	115/60/1	000007842	
b.	230/60/1	000007843	
c.	230/50/1	000007844	
d.	R290 230V/50 Hz/1ph to Control Board	000009996	
e.	R290 230V/50 Hz/1ph to Start Components.	000009951	
18	Compressor Compartment Wiring Harness (Not shown)	2008763	
19	R290 Contactor Box	000009209	
a.	Box Cover	000009210	
b.	Mounting Bracket	000009239	
c.	Liquid Tight Cord Grip	000009229	
d.	R290 230V/50 Hz/1ph Contactor Wiring Harness	000009262	
e.	R290 230V/50 Hz/1ph Terminal Blocks	2004603	
20	R290 230V/50 Hz/1ph Compressor Wiring Harness	00010086	

i322 EVAPORATOR COMPARTMENT - COMMON COMPONENTS

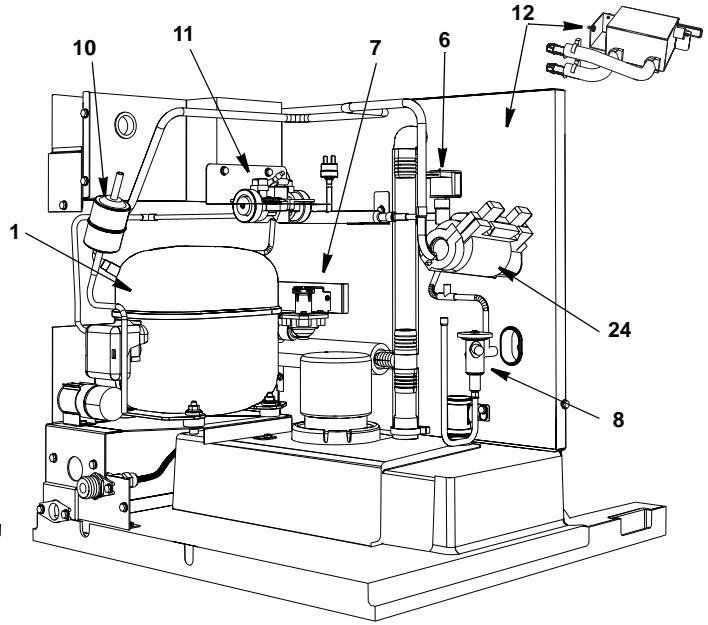
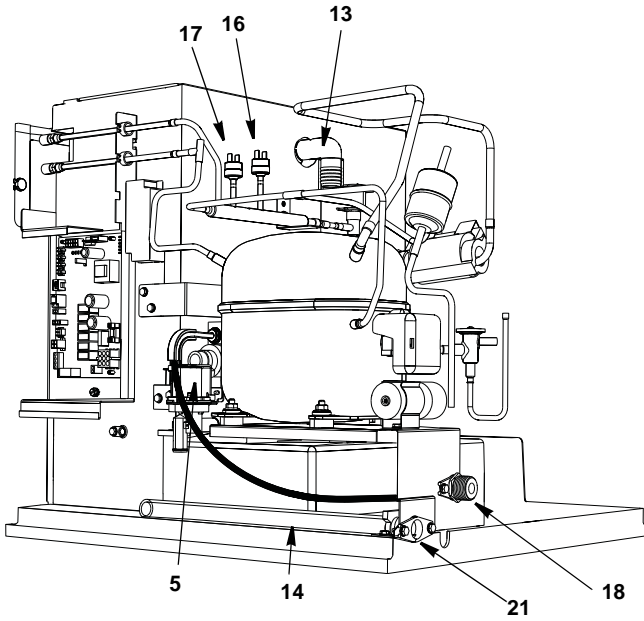


DESCRIPTION

PART NO.

1	Evaporator Assembly	
	a. Dice Cube	7602879
	b. Half Dice Cube	7602889
2	Water Pump	
	a. 115V/60 Hz 1PH	2008929
	b. 230V/60 Hz 1/3PH	2008939
	c. 230V/50 Hz 1PH	2008949
	d. R290 230V/50 Hz 1PH	2008929
3	Water Level Probe	00007052
	a. Wire, control box to probe (Not shown)	00007099
	b. Holder	00007053
	c. Screw (Mount Water Level Probe Holder)	5202099
4	Ice Thickness Control Probe	00008660
5	Water Curtain (Not shown)	4011189
6	Water Distribution Tube Assembly	7602789
	a. O-rings (Back of Distribution Assembly)	5004649
7	Water Trough	4009149
8	Foodzone Seal Panel	00009188
9	Evaporator Top Filler Panel	6065389
	a. Stainless Steel Clamp	6063339
	b. Clamp Screw	5202099
10	Evaporator Top Frame Assembly	7602799
11	Water Diverter	7602213
	a. Thumbscrew	5305123
12	LCD Display	00006728
13	Touch Pad with Housing	00008064
14	LCD Wiring Harness (Not shown)	00007828
15	Touch Pad/Housing Mounting Bracket	00006697
16	Front Panel LCD Frame	
	a. With Key Guard	00007046
	b. Without Key Guard	00007047
	c. Display Cover (hides the display completely)	K00433
Miscellaneous – Brackets, Screws, etc.		
17	Screw, (Water Distribution Tube Mounting) Each	5004799
	a. O-ring	5004629
18	Screw, #12-16 x 0.687 Used to Mount Evaporator (Each)	5004619
19	Water Pump Base O-ring	5004659
20	Water Pump Outlet O-ring	5004679

i322 REFRIGERATION COMPARTMENT – COMMON PARTS



DESCRIPTION

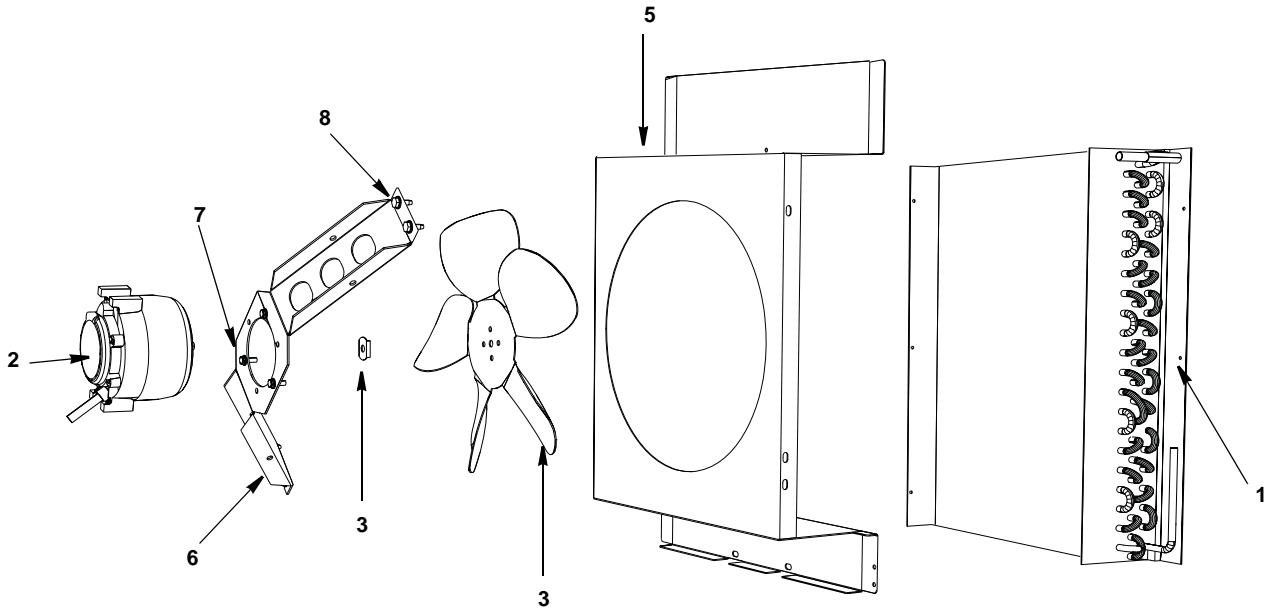
PART NO.

1 Compressor		
a. 115V/60 Hz/1ph	7601343
b. 208-230V/50-60 Hz/1ph	7601353
c. R290 230V/50 Hz/1ph	000009257
d. R290 230V/50 Hz/1ph Compressor Terminal Cover	000009259
2 Start Relay		
a. 115V/60 Hz/1ph	8251033
b. 208-230V/50-60 Hz/1ph	2002243
c. R290 230V/50 Hz/1ph	000009258
d. Cover	8251013
3 Run Capacitor R290 230V/50 Hz/1ph Only	000009194
4 Start Capacitor		
a. 115V/60 Hz/1ph	8251023
b. 208-230V/50-60 Hz/1ph	8504433
c. R290 230V/50 Hz/1ph	000009195
5 Water Dump Valve (with bracket)		
a. 115V/60 Hz	000001767
b. 208-230V/50-60 Hz	000001768
c. R290 230V/50 Hz/1ph	000001767
d. Mounting Bracket	6058459
e. Dump Valve Tubing 3.25 inches	4420383
6 Harvest Valve		
a. Harvest Valve Including 115V/60 Hz Electrical Coil	000007035
b. Harvest Valve 115V Coil Only Danfoss	000005156
c. Harvest Valve Including 208-230V/50-60 Hz Electrical Coil	000007034
d. Harvest Valve 208-230V Coil Only Danfoss	000005157
7 Water Inlet Valve		
a. Water Inlet Valve Including 115V/60 Hz Coil	000000375
b. Water Inlet Valve Including 208-230V/50-60 Hz Coil	000000376
c. Water Inlet Valve Bracket	000007594
8 Expansion Valve		
a. R290 230V/50 Hz/1ph	7602893
b. Expansion Valve Body Insulation Boot	000009954
c. Expansion Valve Bulb Insulation Boot	4000363
	4007203
9 Thermistors with Spring Clips	000008310
10 Drier	8930259
11 Air Assist		
a. 115V with brackets	000007222
b. 230V with brackets	000007223
c. Manifold Tee (Air Pump Tubing Outlet)	4011739
d. Bracket	000006489
e. Nozzle	3001453
12 LuminIce		
a. LuminIce Bulb	K00424
b. Bulkhead Fitting 2.25"	K00425
c. Bulkhead Fitting 2.75"	000007990
	000008269
13 Insulated Tube (vinyl tubing from distribution tube to water pump & dump valve)	000003404
a. Clamp 0.859/0.989 ID	5650603
b. Clamp 0.799/0.899 ID	5650703
14 Vinyl Tubing 0.625 ID (dump valve to drain adapter)	000001382
a. Insulation	6038831
b. Clamp	5650709
15 Manifold Strainer	000008364
a. Bracket	6058571
16 High Pressure Cut-out (Auto Reset)	2001243
a. R290 230V/50 Hz/1ph	000008876
17 Fan Cycle Control		
a. R290 230V/50 Hz/1ph	2001263
	000008877

Miscellaneous – Brackets, Screws, etc.

18	Water Inlet Wing Adapter	8706093
	a. Adapter Plastic Fitting	1360961
19	Water Inlet Valve Tubing	4010439
	a. Elbow Tube	000000288
20	Connector Water Inlet Valve	1360989
21	Water Drain Wing Adapter	8706133
22	Compressor Mounting	
	a. Base	6060269
	b. Rubber Grommet	† 8503069
	c. Sleeve	8503949
	d. Bolt	5004819
	e. Nut	5004829
23	Clamp, Expansion Valve Bulb	5650529
24	Copper Bulb Strap	3000503
25	Screw, #10-24 x 0.50	5202069

i322 REFRIGERATION COMPARTMENT – Air-cooled



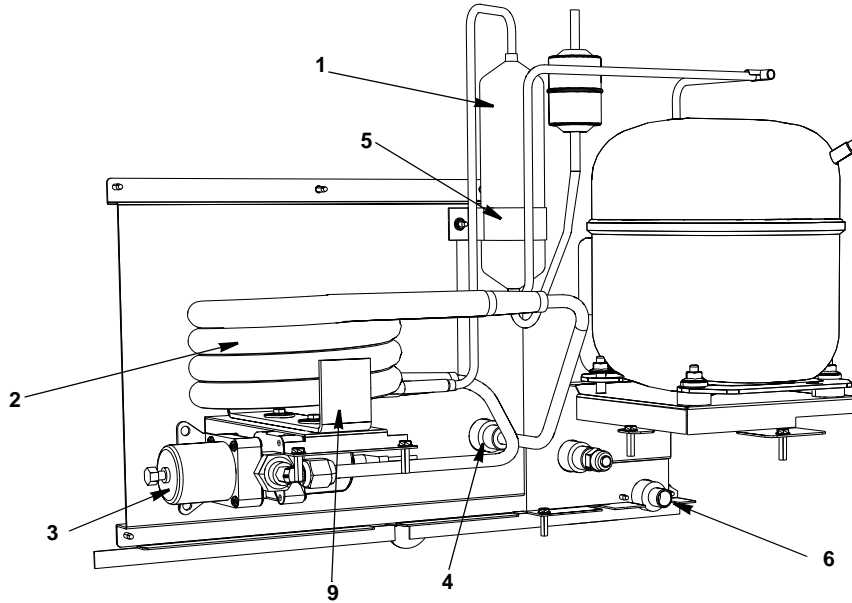
DESCRIPTION

	DESCRIPTION	PART NO.
1	Air Condenser.....	8252129
	a. R290 230V/50 Hz/1ph.....	000008871
	b. R290 230V/50 Hz/1ph Air Condenser Mounting Plates (2).....	000009060
2	Fan Motor	
	a. 115V/60 Hz.....	2412813
	b. 208-230V/60 Hz or 230V/50 Hz.....	2412823
3	Fan Blade.....	2416223
4	Speed Nut.....	5475073

Miscellaneous – Brackets, Screws, etc.

5	Fan Shroud.....	6065469
	a. R290 230V/50 Hz/1ph.....	000009009
6	Fan Motor Bracket.....	6027431
7	Fan Motor Mounting Screw.....	5025599
8	Fan Bracket Mounting Screw.....	5202069
9	Shroud & Condenser Screws, #10-24 x 0.50.....	5202069

i322 REFRIGERATION COMPARTMENT – Water-cooled



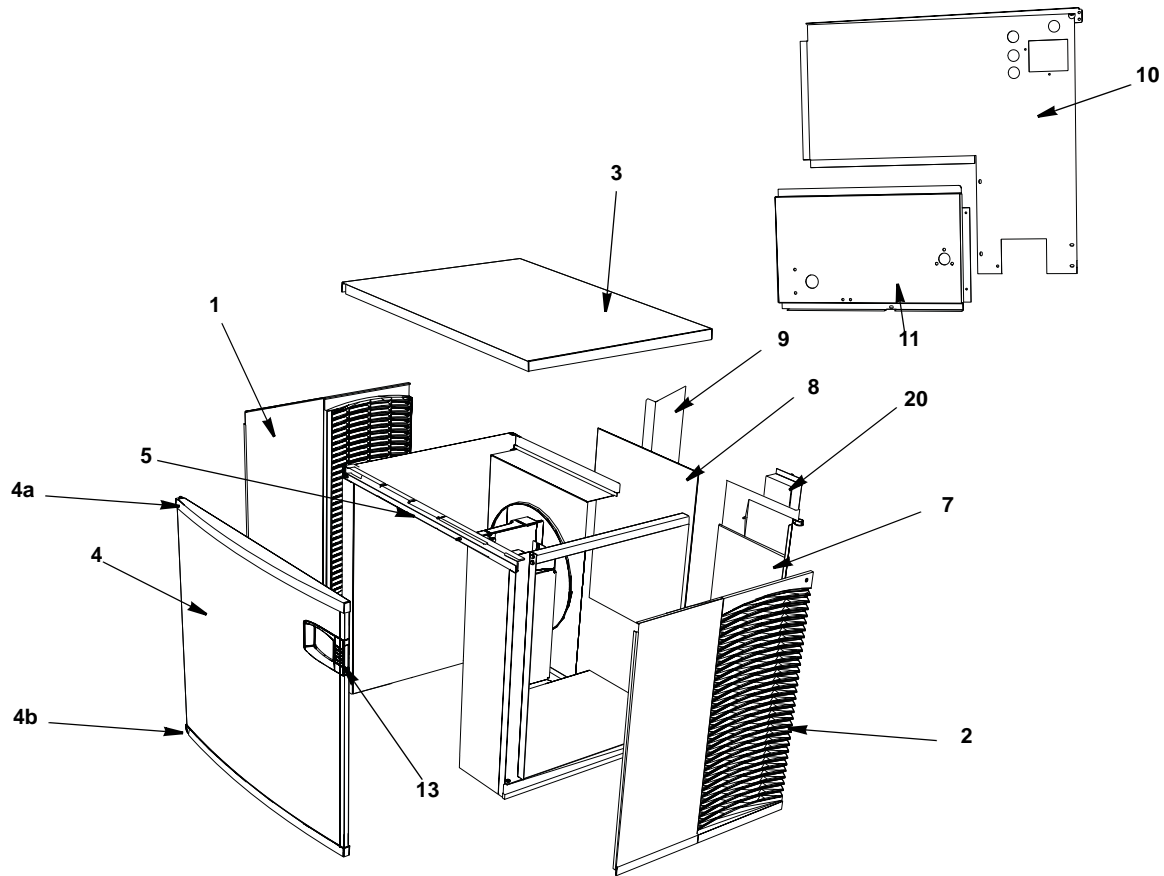
DESCRIPTION

	PART NO.
1 Receiver	000008892
2 Water-cooled Condenser	000000045
3 Water Regulating Valve	000007546
4 Condenser Water Drain Female Wing Adapter	8706083

Miscellaneous – Brackets, Screws, etc.

5 Receiver Strap	6000541
6 Elbow 3/8 MF x 3/8 MPT	5002159
7 Screw, #10-24 x 0.50	5202063
8 Washer	5573419
9 Base, Water Condenser/Receiver	6058659

i322 PANELS



DESCRIPTION

	PART NO.
1 Left Side Panel	000005217
2 Right Side Panel	000005215
3 Top Cover	000007768
4 Front Panel Assembly	000006579
a. Top Endcap	000006560
b. Bottom Endcap	000006565
5 Front Top Support	000010050
Mounting Screw Left Side 8-32 x 1	5005379
Mounting Screw Right Side 10-24 x 0.50	5005099
6 Back Coupling Panel, Drain/Water Connection (Compressor Base)	6060269
Air-cooled Back Panels	
7 Back Panel with Electrical Connection Box, Air-cooled Models	000008621
a. R290 230V/50 Hz/1ph.	000009014
8 Air Filter	3005699
a. R290 230V/50 Hz/1ph.	000009076
9 Air Baffle Assembly	000007314
Water-cooled Back Panels	
10 Back Panel with Electrical Connection Box,	000008622
11 Back Coupling Panel, Water-cooled	000008022
12 Drain Fitting	8706083
Miscellaneous – Brackets, Screws, etc.	
13 Front Panel LCD Frame	000007046
a. With Key Guard	000007047
b. Without Key Guard	K00433
c. Display Cover (hides the display completely)	5004899
14 Door Screw	7602829
15 Bottom Door Frame	5005379
a. Mounting Screw Left Side 8-32 x 1 PHIL	5202099
b. Mounting Screw Right Side 10-24 x 0.50 PHIL	3005579
16 Left Door Pivot Leaf Hinge (Top or Bottom)	5005379
a. Mounting Screw 8-32 x 1 PHIL	6068649
17 Left Top Channel	6071451
18 Right Top Channel	6062939
19 Left Corner Post	
20 Electrical Box on Rear of Ice Machine	
a. Box with Cover	Included in Back Panel Assembly
b. Terminal Block 1 Pole	2006599
c. Groundscrew #10-24 x 0.50	5202169