



Ice Machine Parts List for Series EC080 Models

ECG080A

ECG080W

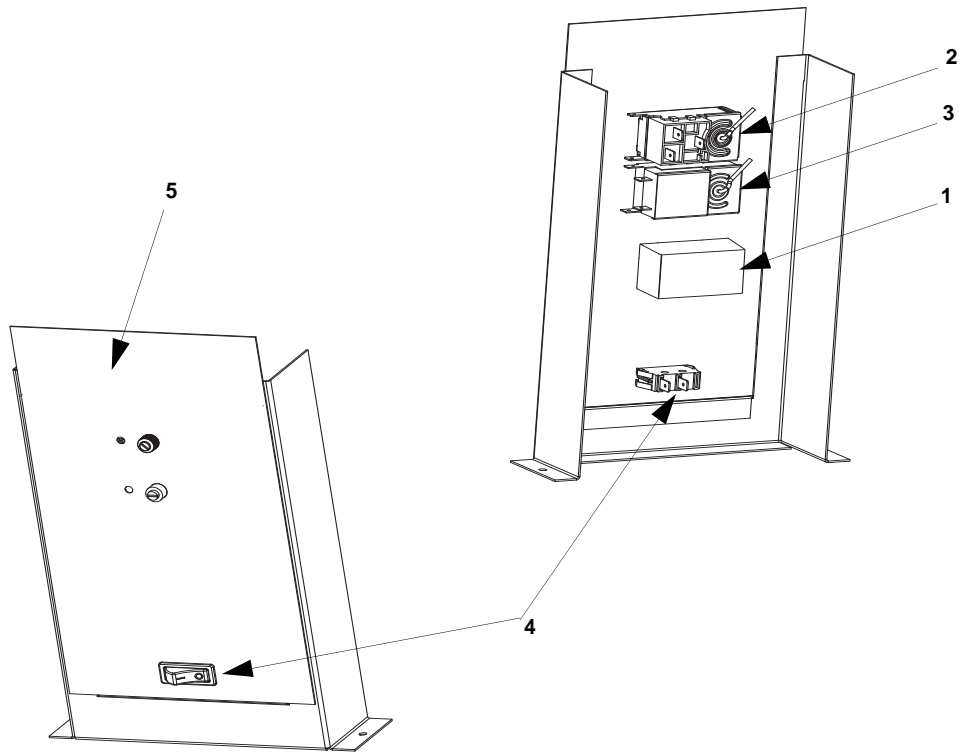
ECS080A

ECS080W

ECM080A

ECM080W

EC80 CONTROL BOX



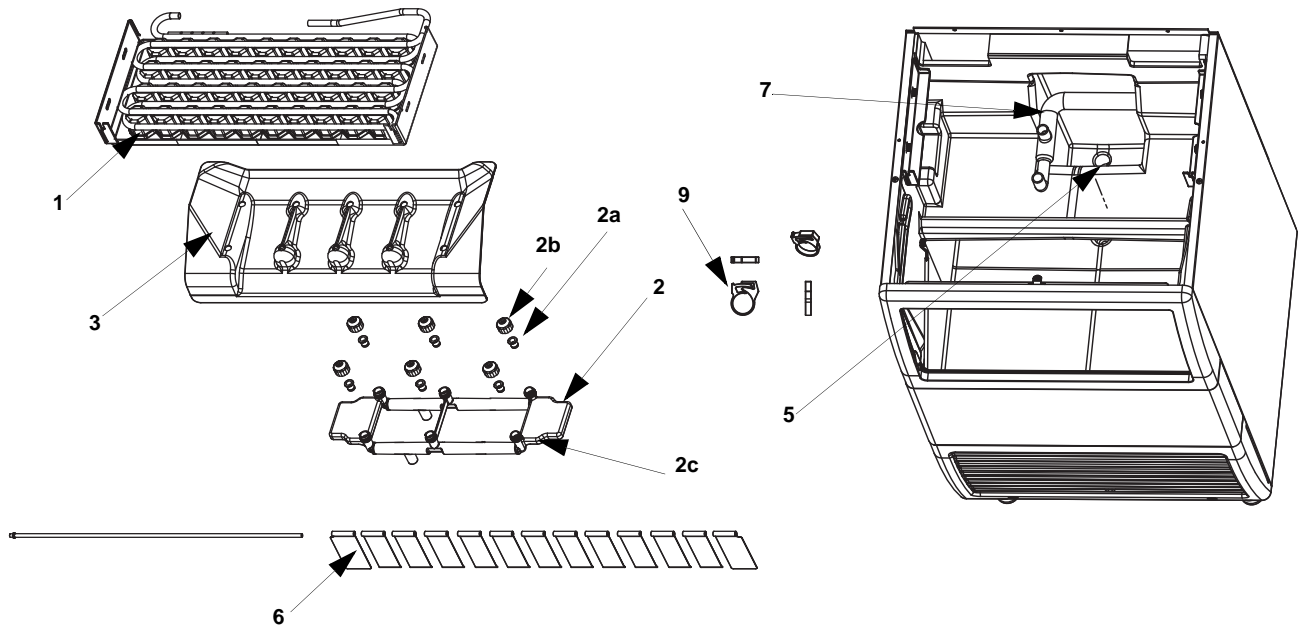
DESCRIPTION

	DESCRIPTION	PART NO.
1	SCR Timer	040000879
2	Evaporator Thermostat	
	a. Mini/Standard	20-0927-9
	b. Large	20-0883-3
3	Bin Thermostat	20-0914-9
4	Toggle Switch	20-0670-9
5	Control Box Cover	607199-9

Miscellaneous – Brackets, Screws, etc.

6	Bolt	50-0561-9
7	Nut	50-0451-9
8	Washer	50-0494-9
9	Ground Screw	52-0232-3

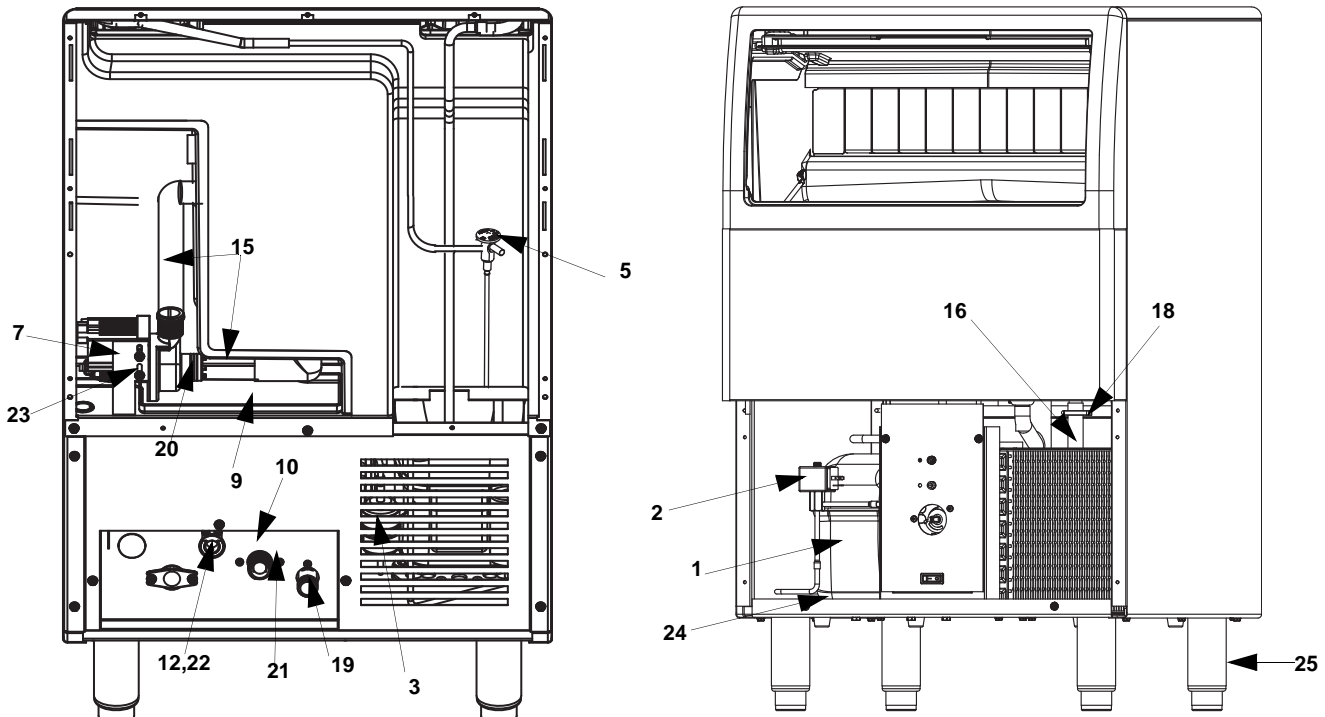
EC80 EVAPORATOR ASSEMBLY



DESCRIPTION

	DESCRIPTION	PART NO.
1	Evaporator Assembly	
a.	Large	30-0645-9
b.	Mini	30-0649-3
c.	Standard	30-0644-9
2	Spray Bar Assembly	76-0349-3
a.	Insert (each)	40-0877-9
b.	Cap (each)	40-0876-9
c.	O-ring	50-0463-9
3	Ice Ramp	40-1357-9
4	Evaporator Housing Assembly(not shown)	40-1396-9
5	Standpipe Assembly	
a.	Standpipe	40-1519-9
b.	Plug	40-1036-9
6	Curtain Assembly	
a.	Paddle (each uses 16 per machine)	40-0882-9
b.	Rod	30-0621-9
Miscellaneous – Brackets, Screws, etc.		
7	Tubing (Water Pump Out)	000000959
8	Drain Screen	40-1493-9
9	Spray Bar Clamp	50-0508-9
10	Water Inlet Diverter	60-7248-1

EC80 REFRIGERATION COMPARTMENT – COMMON PARTS



DESCRIPTION

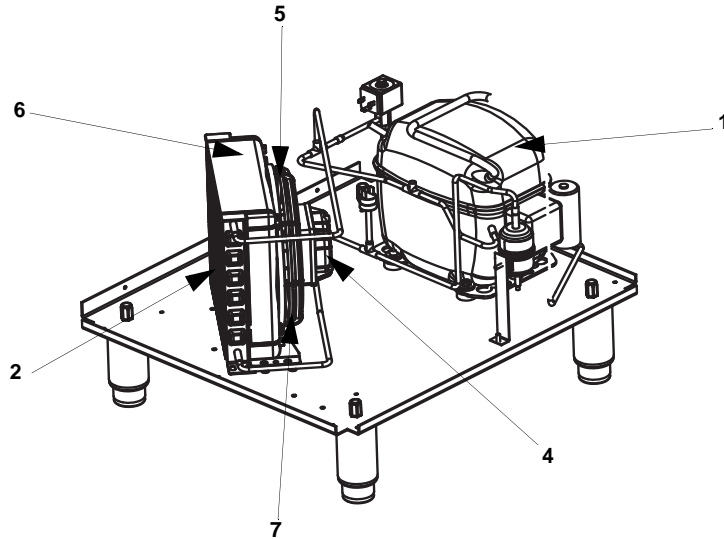
DESCRIPTION	PART NO.
1 Compressor	
a. Danfoss 230/50-60/1 Ph.	82-5321-9
Start Relay	82-5108-3
Start Capacitor	82-5109-3
b. Danfoss 115/60/1 Ph	040000166
Start Relay	82-5103-3
Start Capacitor	82-5102-3
2 Hot Gas Valve	
a. Hot Gas Valve(230/50-60/1)	76-0346-3
Hot Gas Valve Coil Only(230/50-60/1)	000002049
b. Hot Gas Valve(115/60/1)	040000244
Hot Gas Valve Coil Only(115/60/1)	000002048
3 Line Drier	82-5334-3
4 Bin Thermostat Tube	30-0622-3
5 Expansion Valve	76-0347-3
a. Clamp	56-5052-9
6 Insulation	
a. TXV Boot	40-0040-3
b. TXV Bulb	40-0720-3
c. Copper Strap	30-0083-3
d. Drive Clamp	56-5052-9
7 Water Pump	
a. 220V/50 Hz	040000040
b. 220V/60 Hz	040000041
c. 115V/60 Hz	000000660
d. Bracket	000000794
e. Water Pump Housing Assembly	40-1347-3
8 Evaporator Water Inlet Fitting	40-1116-9
9 Condensate Tray	40-1348-9
10 Water Inlet Valve	
a. 230V/50-60 Hz	000000888
b. 115V/60 Hz	000000890
c. Mylar Shield	000000827
11 Power Cord 230/50/1 (not shown,Except China)	20-3302-3
Power Cord 230/50/1 (not shown,Only in China)	20-0839-3
Power Cord 115/60/1 (not shown)	000000335
12 Terminal Block	20-0668-9
13 Wiring Harness, Toggle Switch	20-0977-3
14 Wiring Harness, Main	000001181

EC80 REFRIGERATION COMPARTMENT – COMMON PARTS CONTINUED

Miscellaneous – Brackets, Screws, etc.

15	Vinyl Tubing	
	a. Pump to Spray Bar	000000959
	b. Sump to Pump	000000960
16	Bin Drain Tube	000000193
17	Water Supply Hose	44-2140-3
18	Drain Line Clamp	50-0510-9
19	Drain Fitting Barbed	40-1128-9
20	Water Pump Inlet/Outlet Clamp	56-5066-9
21	Screw 7 x 7 mm (mounts water inlet valve)	50-0442-9
22	Screw 4 x 13 mm (mounts terminal block)	50-0485-9
23	Screw 5 x 13 mm (mounts water pump)	50-0502-9
24	Compressor Mounting	
	a. Compressor Mounting Retainer	56-4826-9
	b. Compressor Clevis Pin 1/4" x 1"	37-1210-9
	c. Compressor Hairpin Clip	56-4828-9
	d. Compressor Sleeve	50-0090-9
	e. Compressor Rubber Gromet	50-0089-9
	f. Compressor Washer	50-0097-9
25	Leg	50-0525-9
26	Restrictor	20-0823-9
27	Tubing (water inlet valve to evaporator)	40-0902-9

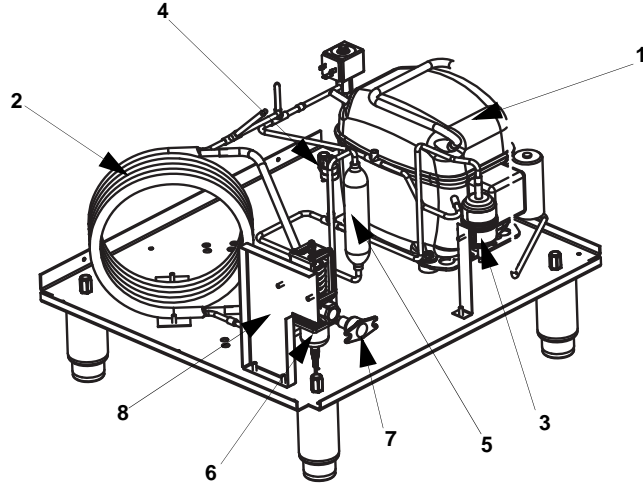
EC80 REFRIGERATION COMPARTMENT – AIR-COOLED



DESCRIPTION

	PART NO.
1 Compressor (Refer to COMMON PARTS Page)	Page EC80-4
2 Air Condenser	82-5284-3
3 Baffle - Air Condenser	
a. Rear Baffle	30-0623-9
b. Front Baffle	30-0626-9
c. Left Side Baffle	30-0666-9
4 Fan Motor	
a. 230V-50/60 Hz	20-0021-9
b. 115V/60 Hz	20-0022-3
5 Fan Blade	30-0565-9
Miscellaneous – Brackets, Screws, etc.	
6 Fan Shroud	606619-9
7 Fan Motor Mounting Bracket	606620-9
8 Screw Hex 5 x 31 mm (bracket to shroud)	50-0449-9
9 Screw Hex (motor to bracket)	50-0551-3

EC80 REFRIGERATION COMPARTMENT – WATER-COOLED

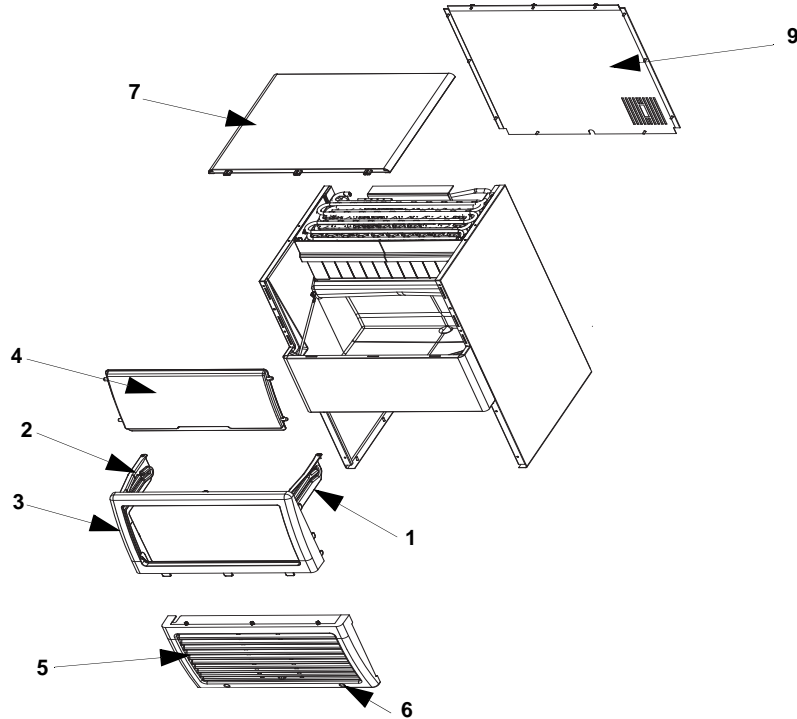


DESCRIPTION

PART NO.

1	Compressor (Refer to COMMON PARTS Page)	Page EC80-4
2	Water Condenser	82-5340-9
3	Liquid Line Drier	82-5215-9
4	HPCO	20-0124-3
5	Receiver	82-5251-9
6	Water Regulating Valve	83-7210-3
	a. Coupling 3/8 F x 3/8 NPT	83-3202-3
Miscellaneous – Brackets, Screws, etc.		
7	Adapter 1/2 NPTF	87-0610-3
8	Drier Bracket	605605-1
9	Water Regulating Valve Bracket	606897-9
	a. Screw Hex 5 x 13 mm	50-0449-9

EC80 PANELS



Door – Gray

1	Right Hand Track	40-1360-9
2	Left Hand Track	40-1361-9
3	Frame	40-1371-9
4	Door Assembly	40-1383-9
5	Grill	40-1367-9
6	Screws (5 x 13 mm)	50-0449-9
7	Top Cover	76-0350-3
8	Top Support Frame	60-6533-1
9	Back Panel	60-6512-9
10	Front Panel	76-0348-3
11	Rear Utility Panel	000000194

Door – Blue

1	Right Hand Track	40-1362-9
2	Left Hand Track	40-1363-9
3	Frame	40-1372-9
4	Door Assembly	40-1384-9
5	Grill	40-1368-9
6	Screws (5 x 13 mm)	50-0449-9
7	Top Cover	76-0350-3
8	Top Support Frame	60-6533-1
9	Back Panel	60-6512-9
10	Front Panel	76-0348-3
11	Rear Utility Panel	000000194

Door - Light Gray

1	Right Hand Track	40-1364-9
2	Left Hand Track	40-1365-9
3	Frame	40-1373-9
4	Door Assembly	40-1385-9
5	Grill	40-1369-9
6	Screws (5 x 13 mm)	50-0449-9
7	Top Cover	76-0350-3
8	Top Support Frame	60-6533-1
9	Back Panel	60-6512-9
10	Front Panel	76-0348-3
11	Rear Utility Panel	000000194