



Ice Machine Parts List for Series EC040 Models

ECG040A

ECG040W

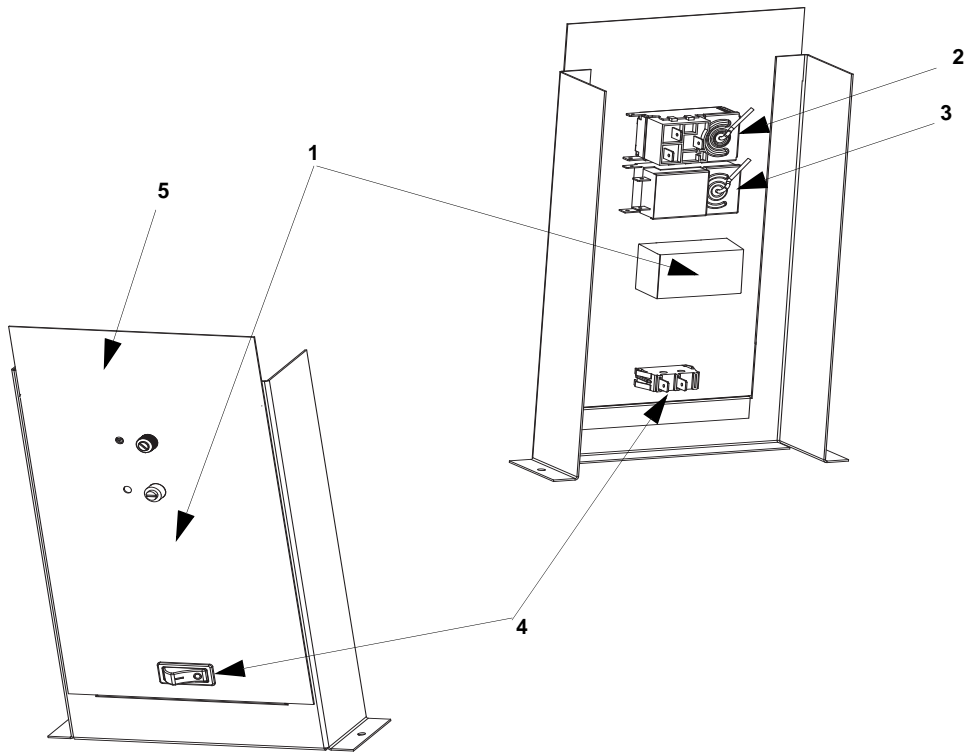
ECS040A

ECS040W

ECM040A

ECM040W

EC40 CONTROL BOX



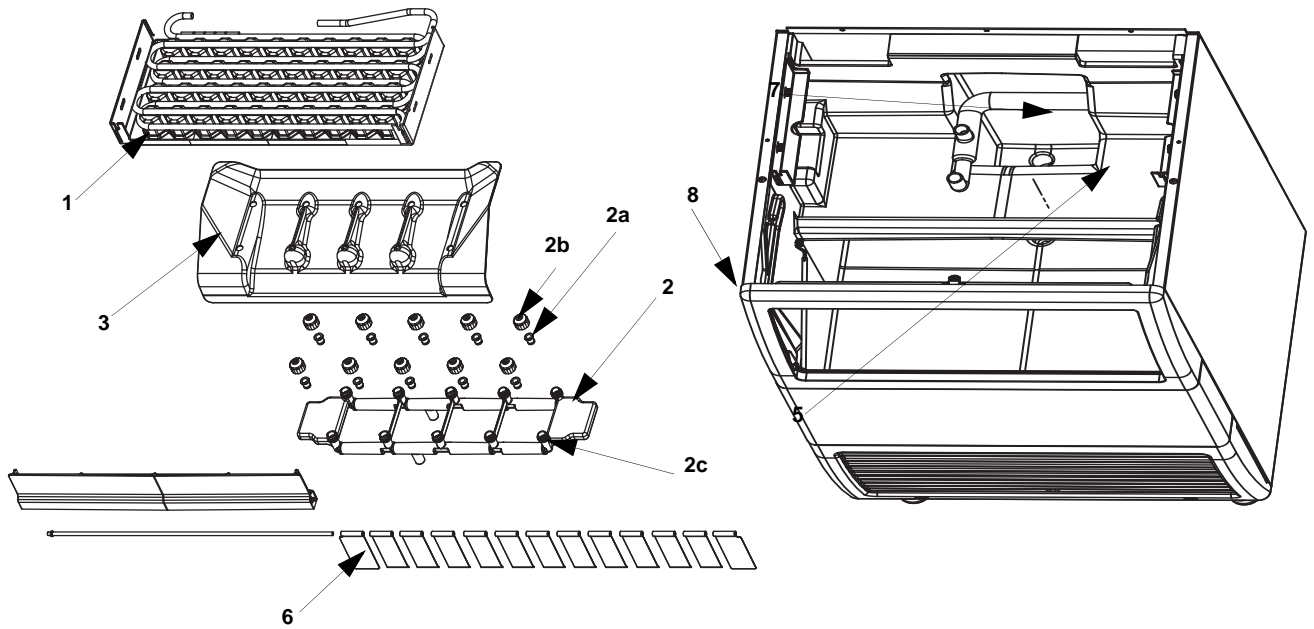
DESCRIPTION

	DESCRIPTION	PART NO.
1	Mechanical Timer(Up to SN 061253493)	20-0664-9
	SCR Timer(After SN 061253493)	040000879
2	Evaporator Thermostat	20-0883-3
3	Bin Thermostat	20-0914-9
4	Toggle Switch	20-0670-9
5	Control Box Cover	60-5599-9

Miscellaneous – Brackets, Screws, etc.

6	Screw, 7 x 30 mm	50-0443-9
7	Screw (Mount control box/cover to cabinet)	50-0449-9
8	Wiring Harness, Main	000001181
9	Wiring Harness, Toggle Switch	20-0977-3

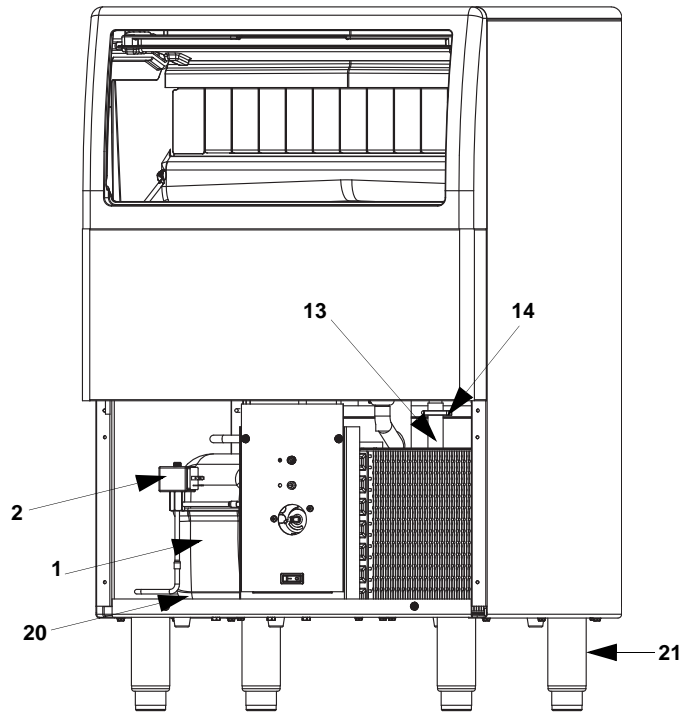
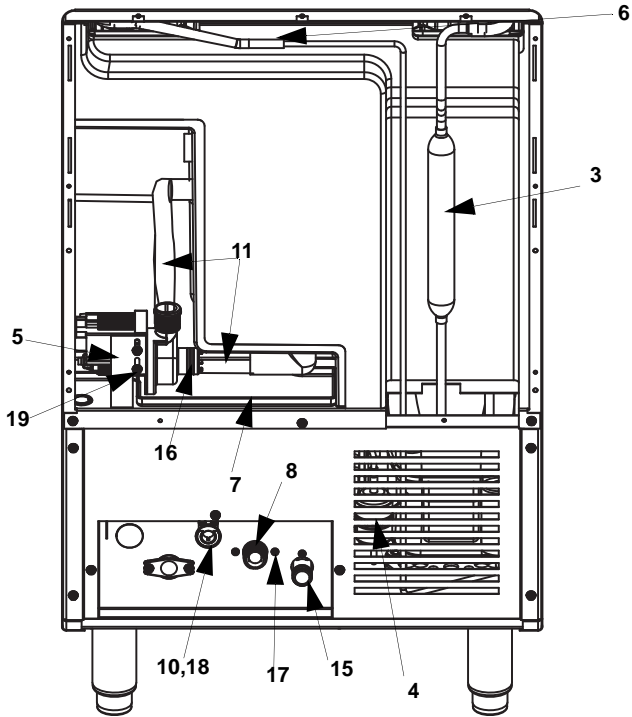
EC40 EVAPORATOR ASSEMBLY



DESCRIPTION

		PART NO.
1	Evaporator Assembly	
	a. Large	76-0234-3
	a. Standard	76-0235-3
	b. Mini	76-0236-3
2	Spray Bar Assembly	76-0237-3
	a. Insert (each)	40-0877-9
	b. Cap (each)	40-0876-9
	c. O-ring	50-0463-9
3	Ice Ramp	40-1103-9
4	Evaporator Housing Assembly(not shown)	40-1020-1
5	Standpipe Assembly	
	a. Standpipe	40-1037-9
	b. Plug	40-1036-9
6	Curtain Assembly	
	a. Paddle (Each uses 12 per machine)	40-1258-9
	b. Rod	30-0455-9
	c. Hanger	40-1127-9
Miscellaneous – Brackets, Screws, etc.		
7	Tubing (Water Pump Out)	000000943
8	Spray Bar Clamp	50-0508-9
9	Water Inlet Diverter	60-7248-1
10	Pump Inlet Screen	40-1493-9
11	Water Supply Hose	000001220

EC40 REFRIGERATION COMPARTMENT – COMMON PARTS

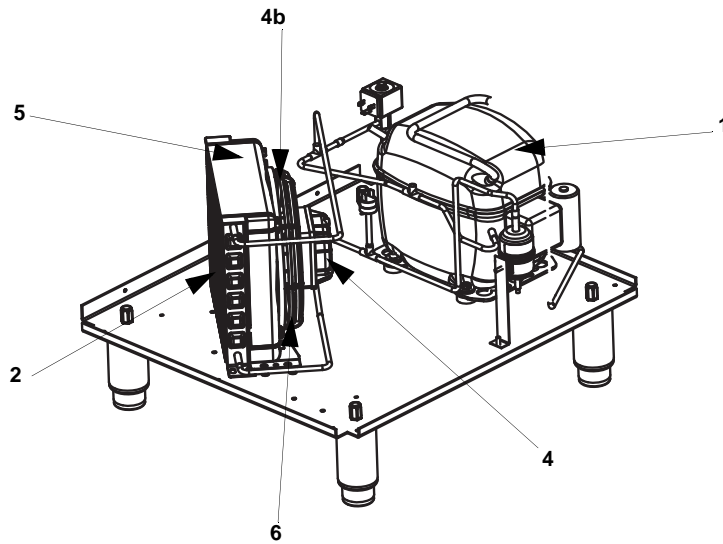


DESCRIPTION

PART NO.

1 Compressor		
a. Up to SN 050752034 and the SN 31000673 & SN31000674, and After SN 310015292	Danfoss 230/50-60/1 Ph Start Relay	76-0238-3
	Start Capacitor	20-0609-9
	Overload Protector	20-0606-9
b. From SN 050752035 to SN 310015273	Embraco 230/50-60/1 Ph Start Relay	82-5364-3
	Start Capacitor	20-1007-3
	Overload Protector	20-1009-3
2 Hot Gas Valve		
a. Hot Gas Valve 230/50-60/1	Hot Gas Valve Coil Only 230/50-60/1	76-0239-3
		000001144
3 Cap Tube Assembly		76-0240-3
4 Line Drier		82-5216-9
5 Water Pump		
a. 230V/50 Hz		040000038
b. 230V/60 Hz		040000039
c. Bracket		000000794
6 Evaporator Water Inlet Fitting		40-1116-9
7 Condensate Tray		40-0875-9
8 Water Inlet Valve		
a. 230V/50-60 Hz		000000887
b. Mylar Shield		000000827
9 Power Cord 230/50/1 (not shown, Except China)		20-3302-3
Power Cord 220/50/1 (not shown, Only in China)		20-0839-3
10 Terminal Block		20-0668-9
Miscellaneous – Brackets, Screws, etc.		
11 Vinyl Tubing		
a. Pump to Spray Bar		000000943
b. Sump to Pump		000000942
12 Water Inlet Tubing .375 ID (not shown)		40-0902-9
13 Bin Drain Tube		000000195
14 Drain Line Clamp		50-0510-9
15 Drain Fitting Barbed		40-1128-9
16 Water Pump Inlet/Outlet Clamp		50-0508-9
17 Screw 7 x 7 mm (mounts water inlet valve)		50-0442-9
18 Screw 4 x 13 mm (mounts terminal block)		50-0485-9
19 Screw 5 x 13 mm (mounts water pump)		50-0502-9
20 Compressor Mounting		
a. Compressor Mounting Retainer		56-4826-9
b. Compressor Clevis Pin 1/4" x 1"		37-1210-9
c. Compressor Hairpin Clip		56-4828-9
d. Compressor Sleeve		50-0090-9
e. Compressor Rubber Gromet		50-0089-9
f. Compressor Washer		50-0097-9
21 Leg		50-0525-9

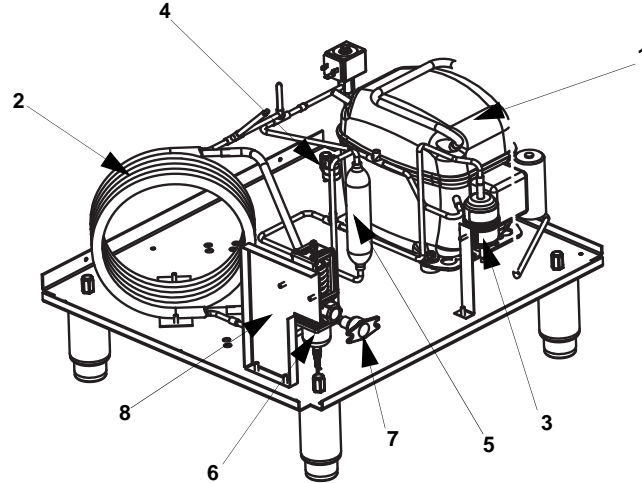
EC40 REFRIGERATION COMPARTMENT – AIR-COOLED



DESCRIPTION

	PART NO.
1 Compressor (Refer to COMMON PARTS Page)	Page EC40-4
2 Air Condenser	88-5135-9
3 Baffle - Air Condenser	30-0564-9
4 Fan Motor	
a. 230V/50 Hz	20-0021-9
b. Fan Blade	30-0565-9
Miscellaneous – Brackets, Screws, etc.	
5 Fan Shroud	60-2938-9
6 Fan Motor Mounting Bracket	60-6174-9
7 Screw Hex 5 x 31 mm (bracket to shroud)	50-0449-9
8 Screw Php 7 x 7 mm (motor to bracket)	50-0442-9
9 Lockwasher	50-0523-9

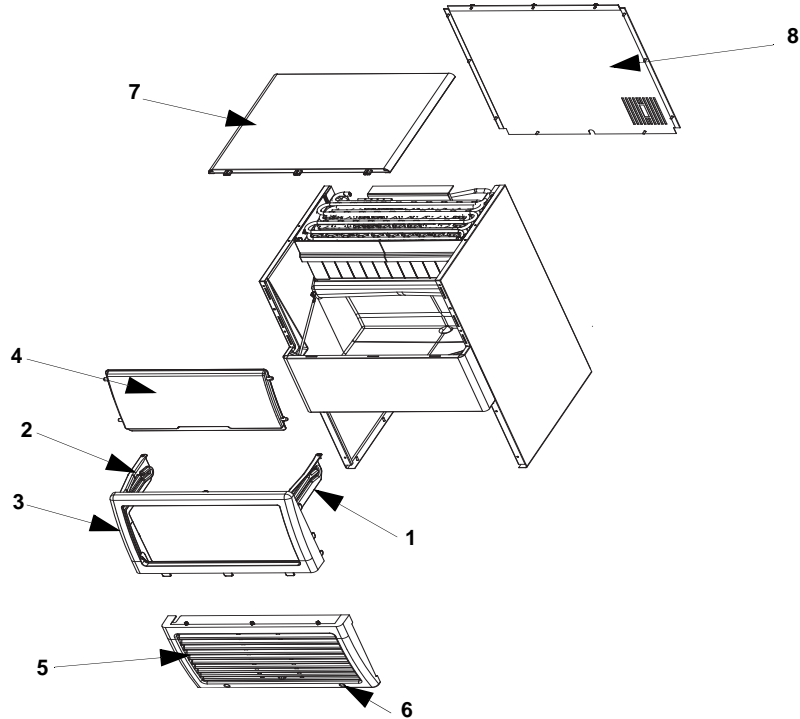
EC40 REFRIGERATION COMPARTMENT – WATER-COOLED



DESCRIPTION

	PART NO.
1 Compressor (Refer to COMMON PARTS Page)	Page EC40-4
2 Water Condenser	82-5252-9
3 Liquid Line Drier	82-5216-9
4 HPCO	20-0683-9
5 Receiver	82-5251-9
6 Water Regulating Valve	82-5272-9
a. Coupling 3/8 F x 3/8 NPT	83-3202-3
Miscellaneous – Brackets, Screws, etc.	
7 Adapter 1/2 NPTF	87-0610-3
8 Bracket	605603-9

EC40 PANELS



Door – Gray

1	Right Hand Track	40-0867-9
2	Left Hand Track	40-0868-9
3	Frame	40-0883-9
4	Door Assembly	40-0919-9
5	Grill	40-0872-9
6	Grill Screws (5 x 13 mm)	50-0449-9
7	Top Cover	60-5601-9
8	Back Panel	60-5604-9
9	Rear Utility Panel	000001154

Door – Blue

1	Right Hand Track	40-0925-9
2	Left Hand Track	40-0926-9
3	Frame	40-0928-9
4	Door Assembly	40-0922-9
5	Grill	40-0927-9
6	Grill Screws (5 x 13 mm)	50-0449-9
7	Top Cover	60-5601-9
8	Back Panel	60-5604-9
9	Rear Utility Panel	000001154

Door – Light Gray

1	Right Hand Track	40-0932-9
2	Left Hand Track	40-0933-9
3	Frame	40-0936-9
4	Door Assembly	40-0937-9
5	Grill	40-0934-9
6	Grill Screws (5 x 13 mm)	50-0449-9
7	Top Cover	60-5601-9
8	Back Panel	60-5604-9
9	Rear Utility Panel	000001154