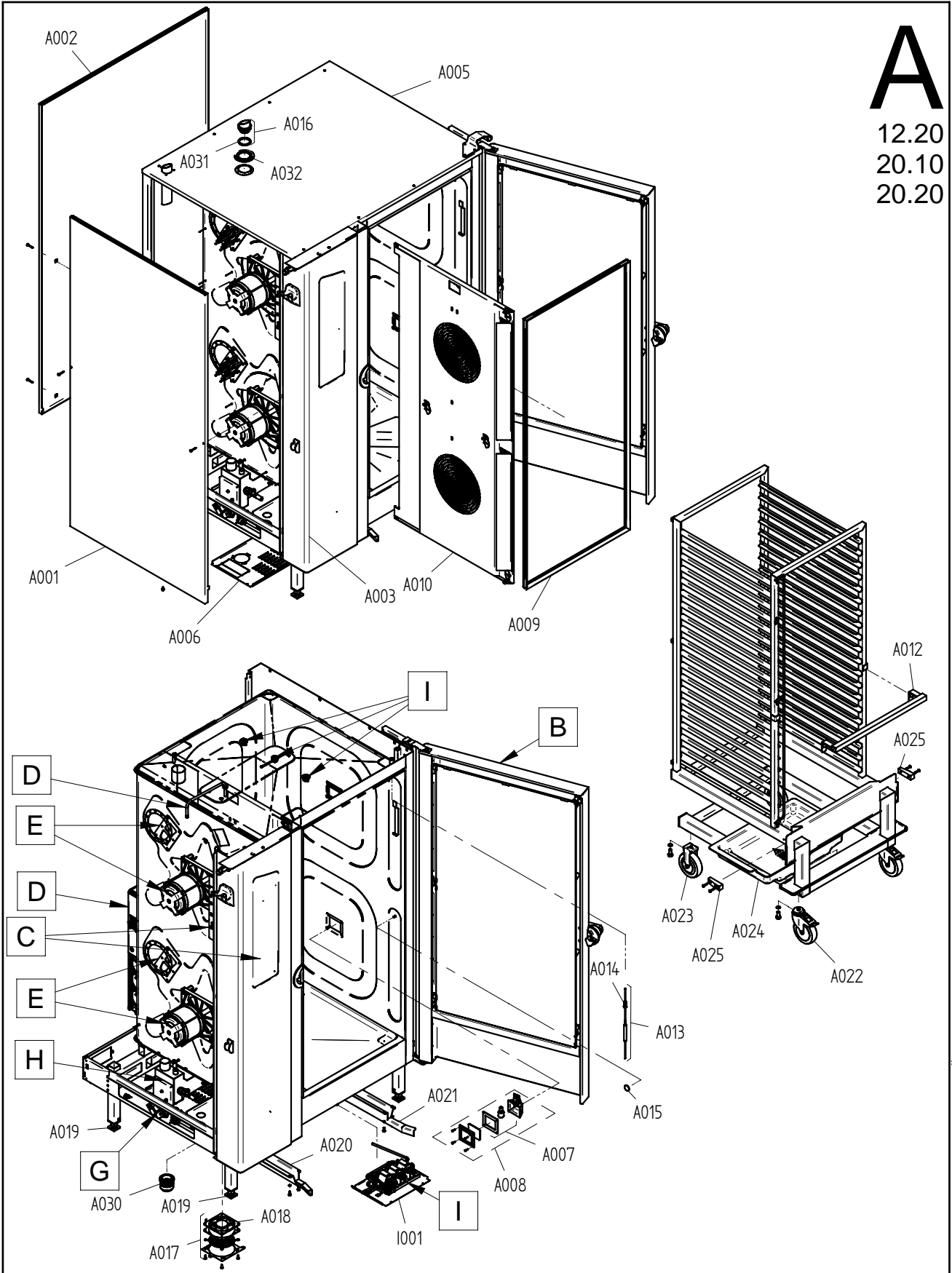


Ersatzteilzeichnung Außengehäuse Standgeräte P3 Spare part drawing outer casing floor units P3

ETZ A - AG 567 P3 1 / 1

A
12.20
20.10
20.20



Art. Nr. 9825277_00 | 14.7.2009 | Änderungen vorbehalten! Changes excepted!

gültig ab / valid from:	Vorgängerversion / previous version:
gültig bis / valid to:	Nachfolgeversion / follow-up version:

Enodis
Talstraße 35
D- 82436 Egfling | Germany

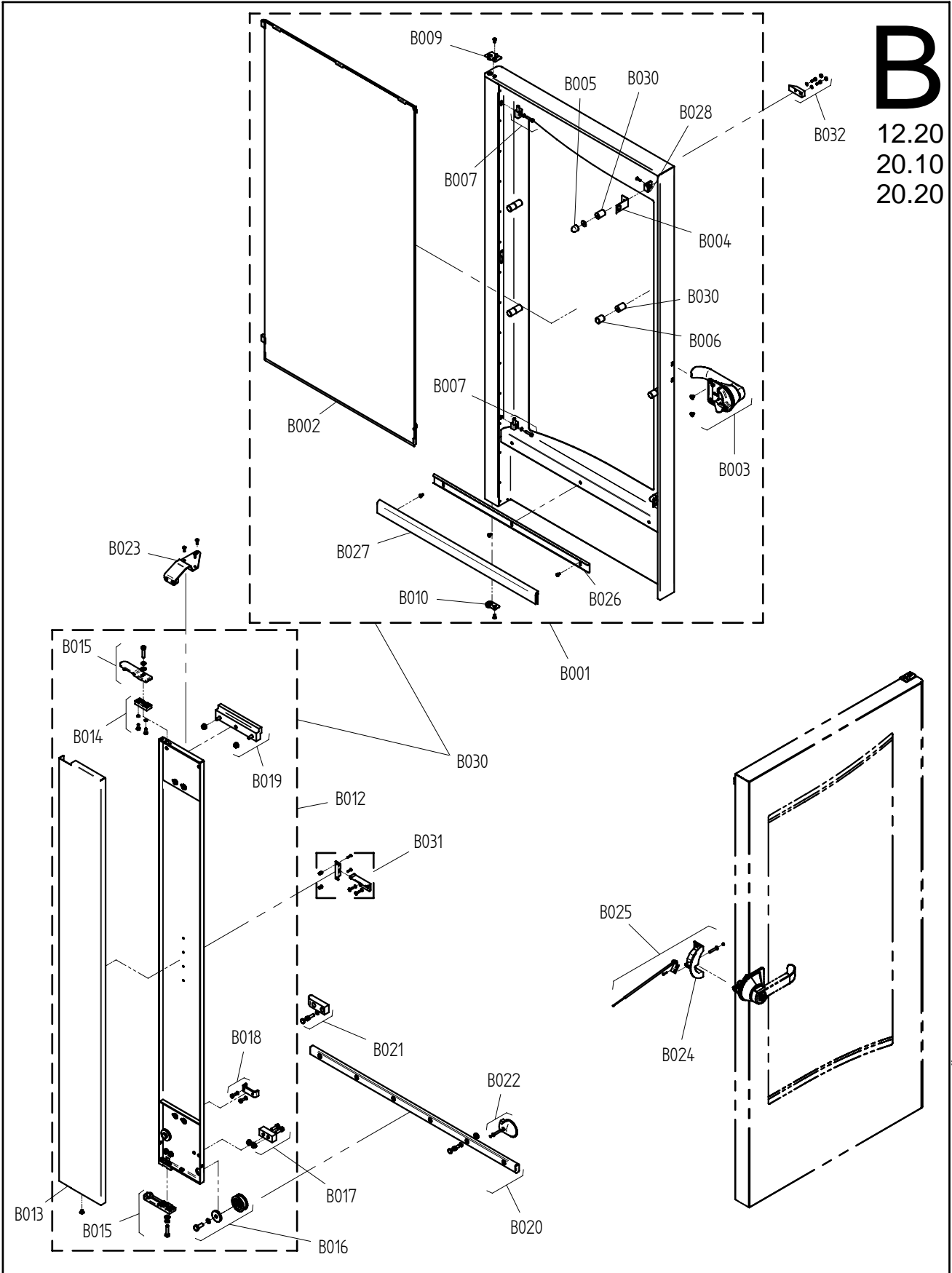
Tel. +49(0)8847/67-0
Fax +49(0)8847/414
info@hotairsteamer.com



Ersatzteilzeichnung Tür Standgeräte P3 Spare part drawing door floor units P3

ETZ B - Tür 567 P3 1 / 1

B
12.20
20.10
20.20



Art. Nr. 9825281_00 | 14.7.2009 | Änderungen vorbehalten! Changes excepted!

gültig ab / valid from:	Vorgängerversion / previous version:
gültig bis / valid to:	Nachfolgeverson / follow-up version:

Enodis
Talstraße 35
D- 82436 Egfling | Germany

Tel. +49(0)8847/67-0
Fax +49(0)8847/414
info@hotairsteamer.com

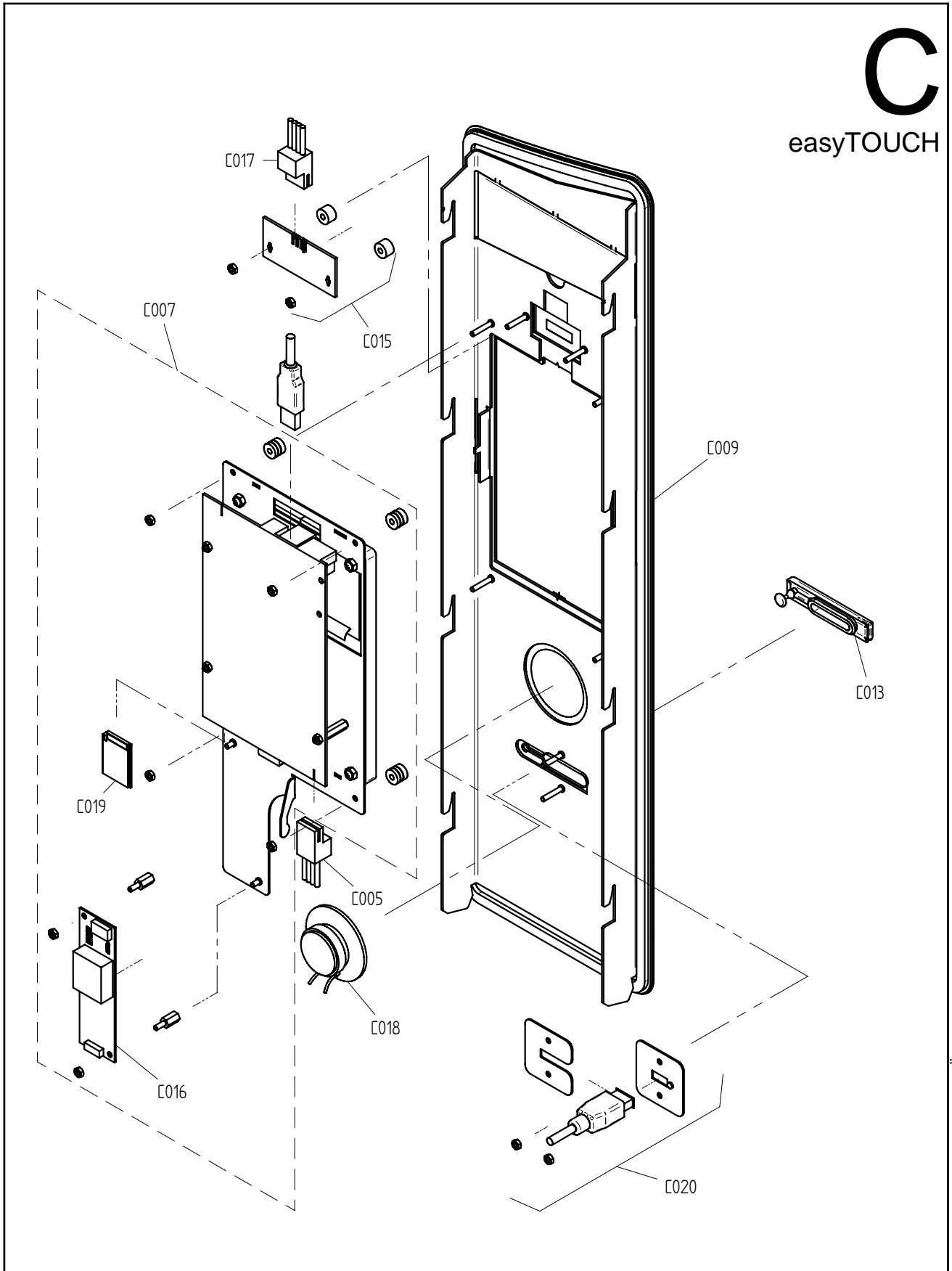


Ersatzteilzeichnung Bedienblende easyTOUCH P3 Spare part drawing operating panel easyTOUCH P3

ETZ C - BM ET P3 1 / 1

C

easyTOUCH



Art. Nr. 9825285_00 | 14.7.2009 | Änderungen vorbehalten! Changes excepted!

gültig ab / valid from:	Vorgängerversion / previous version:
gültig bis / valid to:	Nachfolgeversion / follow-up version:

Enodis
Talstraße 35
D- 82436 Egfling | Germany

Tel. +49(0)8847/67-0
Fax +49(0)8847/414
info@hotairsteamer.com

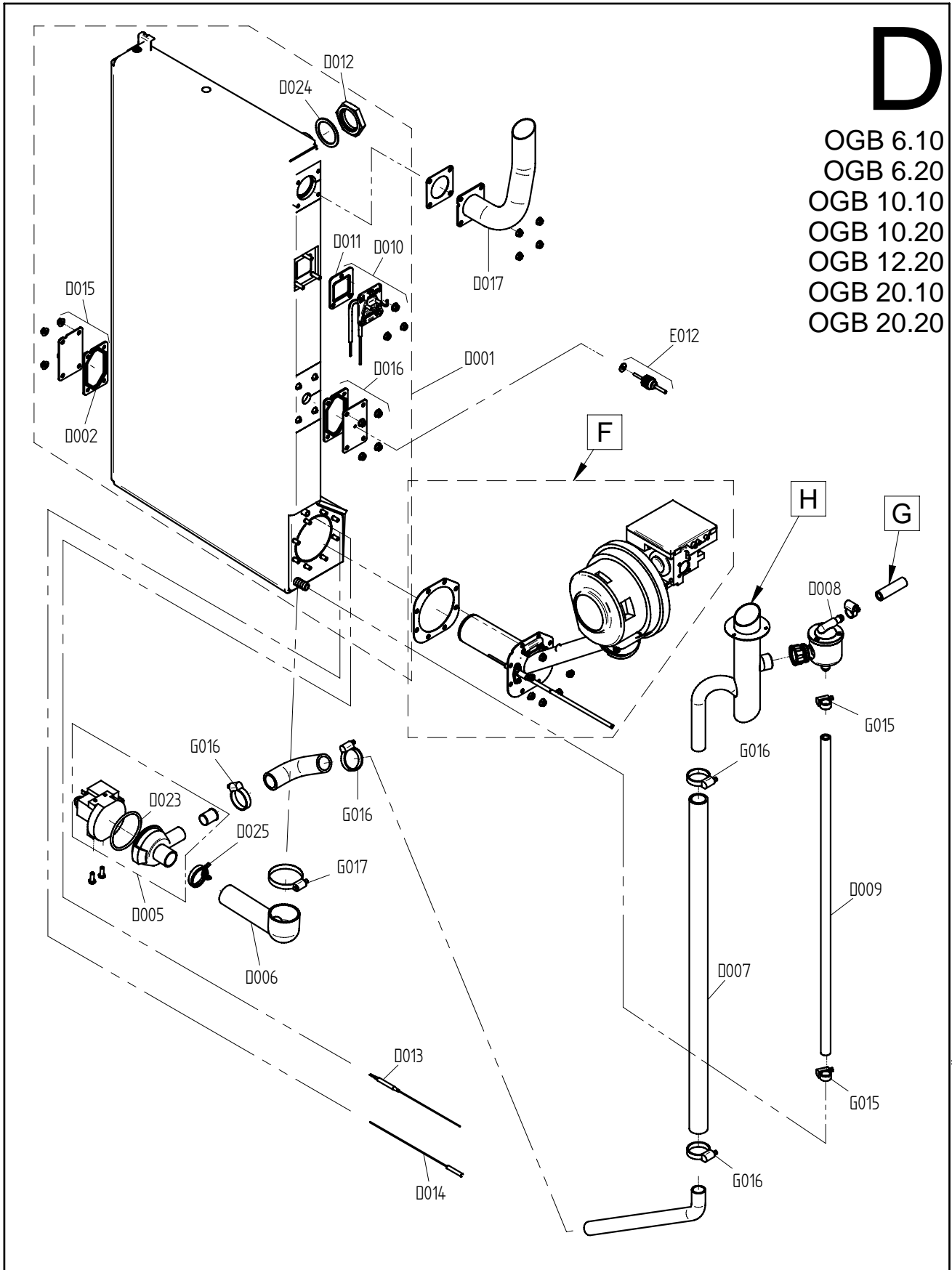


Ersatzteilzeichnung Gas-Dampferzeuger P3 Spare part drawing gas steam generator P3

ETZ D - DE GB P3 1 / 1

D

OGB 6.10
OGB 6.20
OGB 10.10
OGB 10.20
OGB 12.20
OGB 20.10
OGB 20.20



Art. Nr. 9825291_00 | 14.7.2009 | Änderungen vorbehalten! Changes excepted!

gültig ab / valid from:	Vorgängerversion / previous version:
gültig bis / valid to:	Nachfolgeversion / follow-up version:

Enodis
Talstraße 35
D- 82436 Egfling | Germany

Tel. +49(0)8847/67-0
Fax +49(0)8847/414
info@hotairsteamer.com

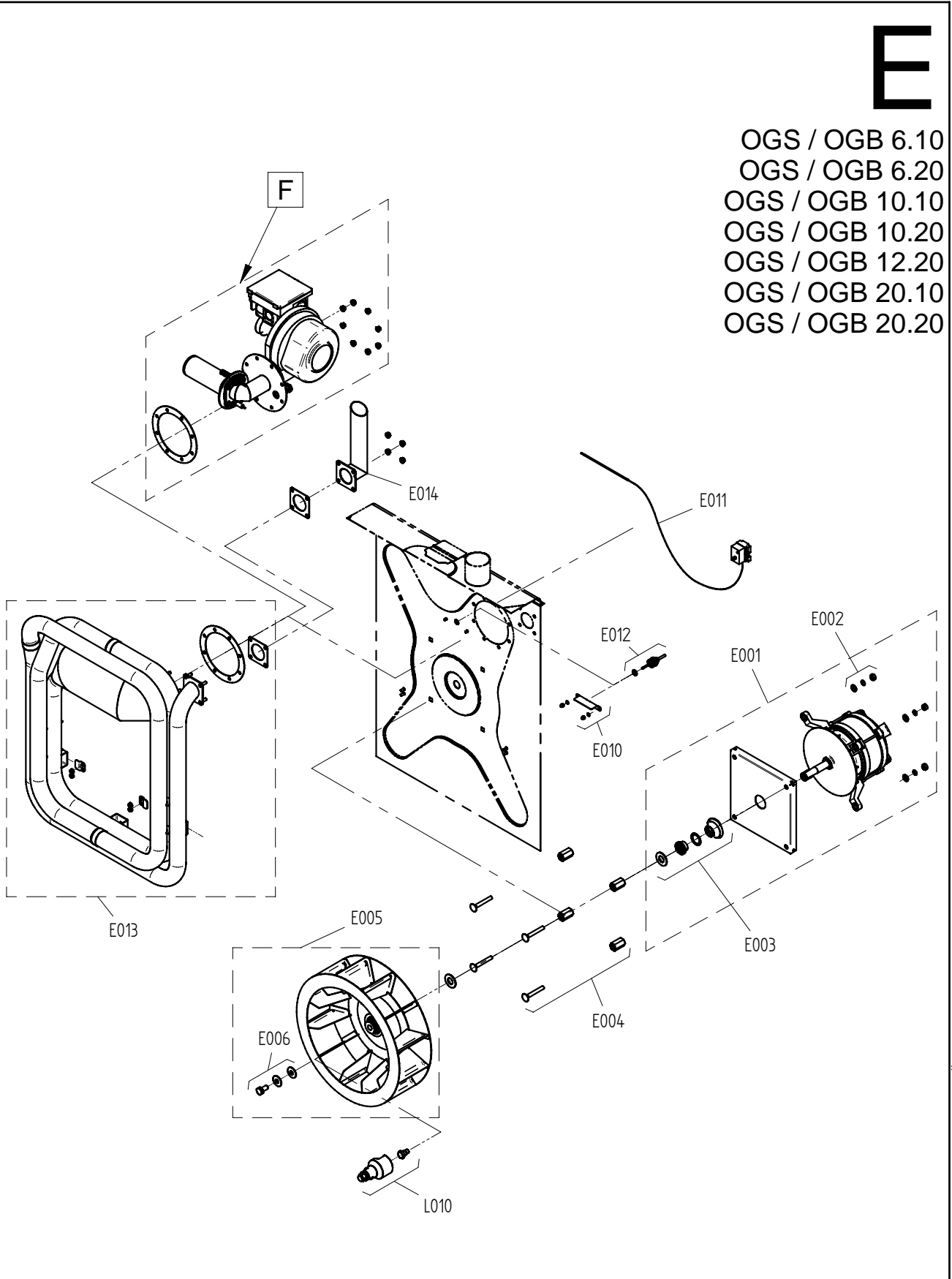


Ersatzteilzeichnung Heissluffterzeugung Gas P3
Spare part drawing gas heating system P3

ETZ E - HL-Heizung GAS P3 1 / 1

E

OGS / OGB 6.10
OGS / OGB 6.20
OGS / OGB 10.10
OGS / OGB 10.20
OGS / OGB 12.20
OGS / OGB 20.10
OGS / OGB 20.20



Art. Nr. 9825297_00 | 14.7.2009 | Änderungen vorbehalten! Changes excepted!

gültig ab / valid from:	Vorgängerversion / previous version:
gültig bis / valid to:	Nachfolgeversion / follow-up version:

Enodis
Talstraße 35
D- 82436 Egfling | Germany

Tel. +49(0)8847/67-0
Fax +49(0)8847/414
info@hotairsteamer.com

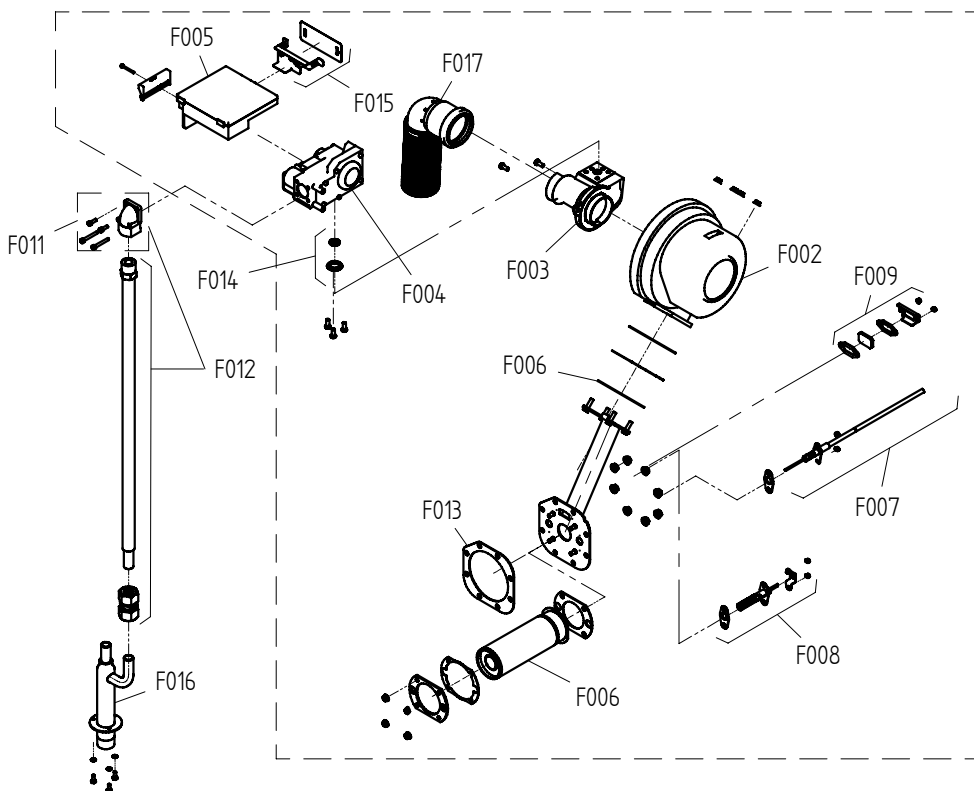
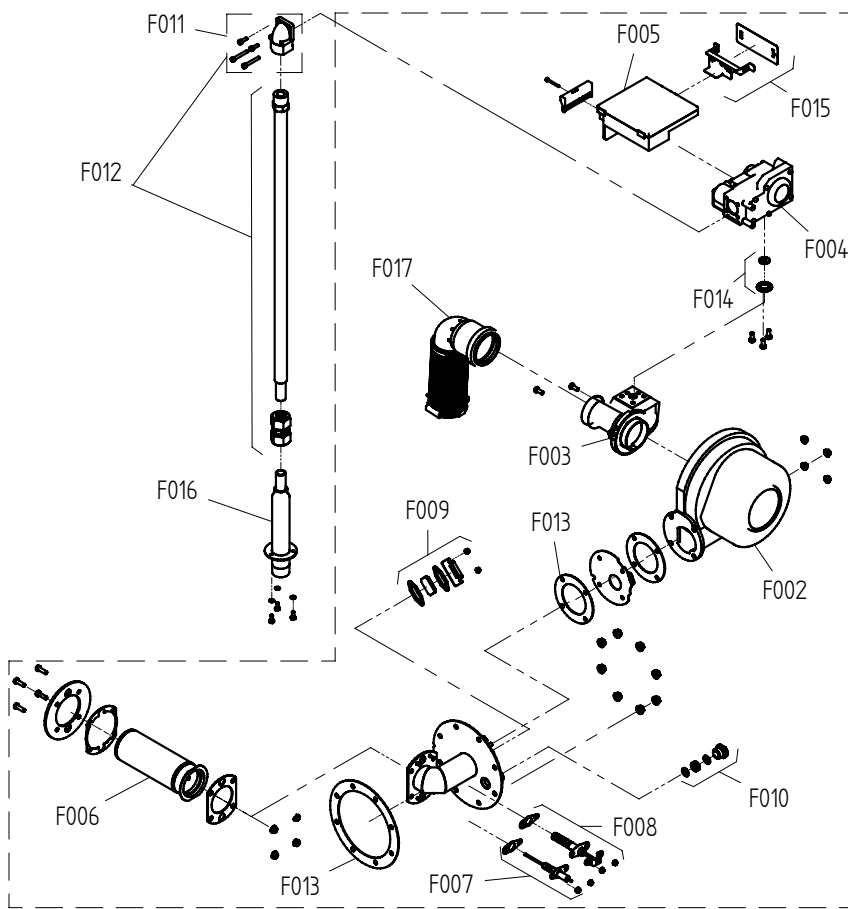


Ersatzteilzeichnung Gas Brenneinheit P3 Spare part drawing gas burner unit P3

ETZ F - Brenneinheit GAS P3 1 / 1

F

Heissluftheizung /
hot air heating
OGS / OGB 6.10
OGS / OGB 6.20
OGS / OGB 10.10
OGS / OGB 10.20
OGS / OGB 12.20
OGS / OGB 20.10
OGS / OGB 20.20



Dampferzeuger /
steam generator
OGB 6.10
OGB 6.20
OGB 10.10
OGB 10.20
OGB 12.20
OGB 20.10
OGB 20.20

Art. Nr. 9825300_00 | 14.7.2009 | Änderungen vorbehalten! Changes excepted!

gültig ab / valid from:
gültig bis / valid to:

Vorgängerversion / previous version:
Nachfolgeversion / follow-up version:

Enodis
Talstraße 35
D- 82436 Egfling | Germany

Tel. +49(0)8847/67-0
Fax +49(0)8847/414
info@hotairsteamer.com

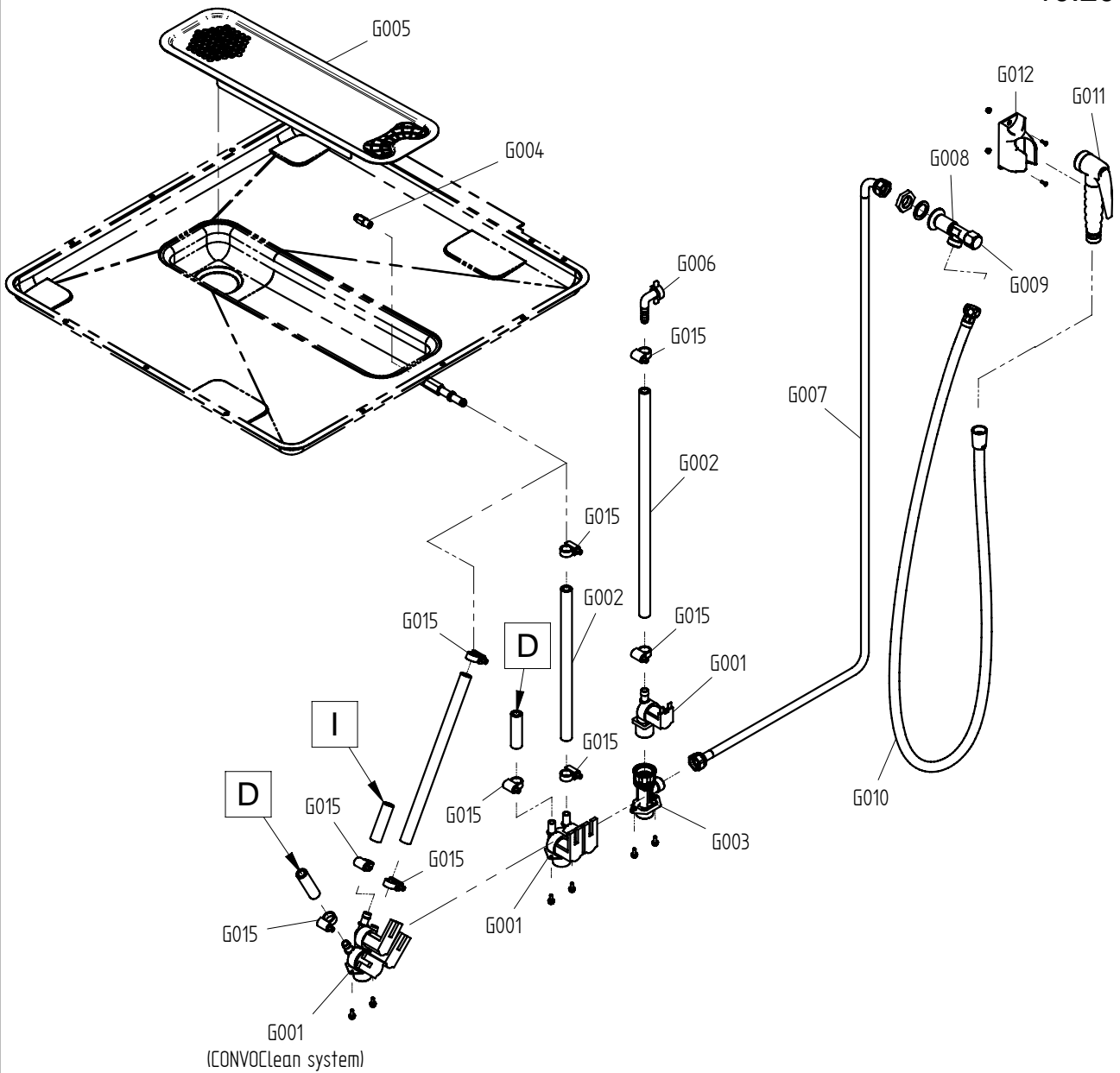


Ersatzteilzeichnung Wasserversorgung Tischgeräte P3
Spare part drawing water supply tabletop units P3

ETZ G - WV P3 1 / 1

G

6.10
6.20
10.10
10.20



Art. Nr. 9825301_00 | 14.7.2009 | Änderungen vorbehalten! Changes excepted!

gültig ab / valid from:
gültig bis / valid to:

Vorgängerversion / previous version:
Nachfolgeverson / follow-up version:

Enodis
Talstraße 35
D- 82436 Eglfing | Germany

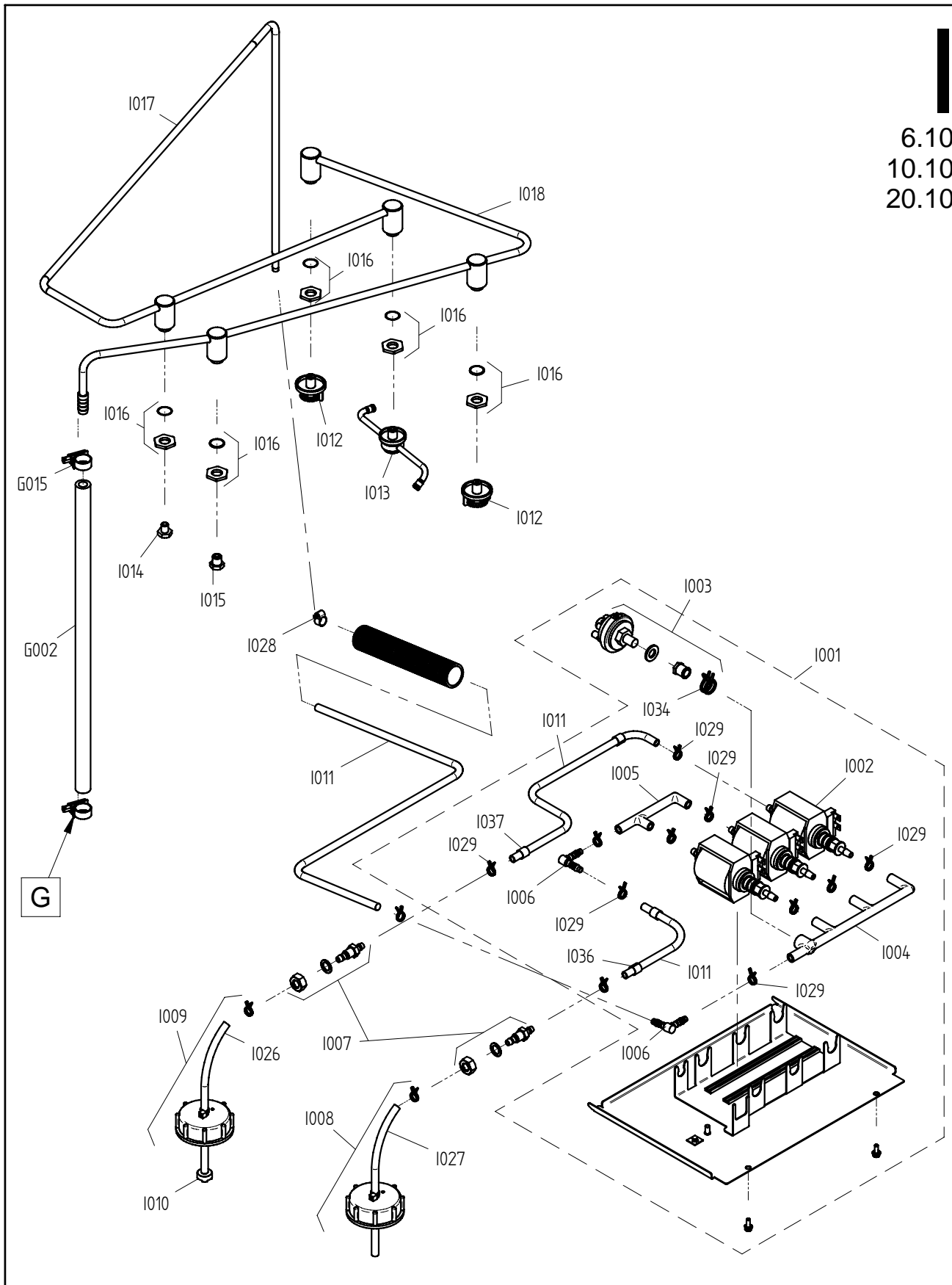
Tel. +49(0)8847/67-0
Fax +49(0)8847/414
info@hotairsteamer.com



Ersatzteilzeichnung CONVOClean system P3 Spare part drawing CONVOClean system P3

ETZ I - CC 136 P3 1 / 1

6.10
10.10
20.10



Art. Nr. 9825311_00 | 14.7.2009 | Änderungen vorbehalten! Changes excepted!

gültig ab / valid from:	Vorgängerversion / previous version:
gültig bis / valid to:	Nachfolgeversion / follow-up version:

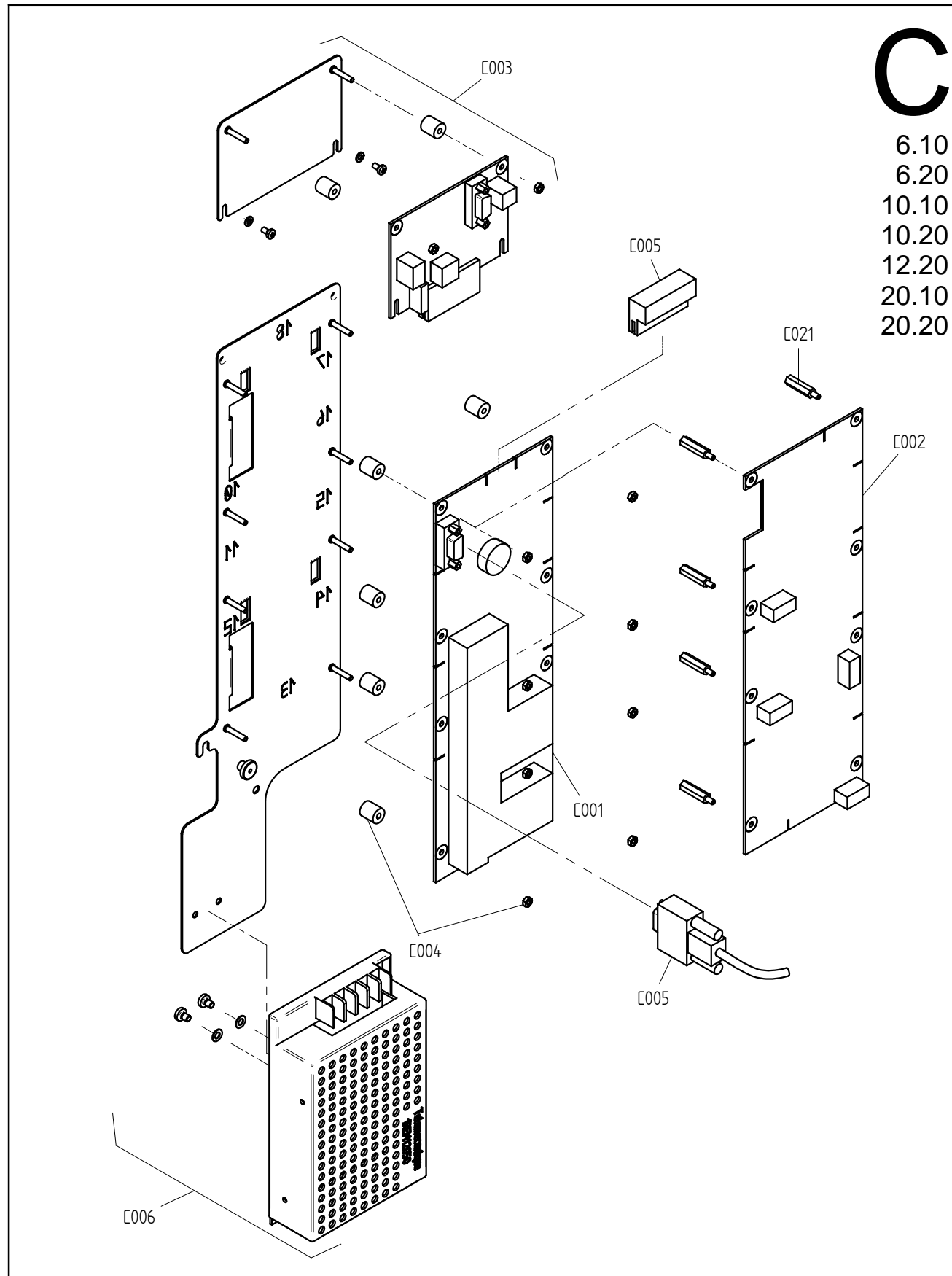
Enodis
Talstraße 35
D- 82436 Egfling | Germany

Tel. +49(0)8847/67-0
Fax +49(0)8847/414
info@hotairsteamer.com



Ersatzteilzeichnung Steuerung P3 Spare part drawing control boards P3

ETZ C - SM GM NT kpl P3 1 / 1



gültig ab / valid from: 12.02.2010	Vorgängerversion / previous version: 9825282
gültig bis / valid to:	Nachfolgeversion / follow-up version:

Enodis
Talstraße 35
D- 82436 Eglfing | Germany

Tel. +49(0)8847/67-0
Fax +49(0)8847/414
info@hotairsteamer.com



Art. Nr. 9825326_00 | 09.03.2010 | Änderungen vorbehalten! Changes excepted!

A001	- 2117416	- Left side panel 20.10 P3
A002	- 2117456	- Rear panel OGB 20.10
A003	- 2115446	- Front section 20.10 P3
A004	- 2114636	- Rear left corner section 20.10/20.20 P3
A005	- 2115466	- Cover OGB 20.10
A006	- 2119229	- Condenser cover OGB 6.10/10.10/20.10 P3
A007	- 2618779	- 230V 25W light bulb set with seal
A008	- 2618780	- Oven-compartment light set including reflector
A009	- 7011003	- Door hygienic plug-in gasket 20.10 P3
A010	- 2218111	- Suction panel OEB/OGB 20.10
A012	- 3315244	- Handle for loading trolley 20.10 P3
A013	- 5013001	- Multipoint core temperature sensor with screw connection P3
A014	- 6015026	- Seal for core temperature sensor P3
A015	- 2004035	- Cable holder for core temperature sensor
A016	- 2608962	- Low pressure cutout P3
A017	- 2216090	- Secondary fan P3 with fixing accessories
A018	- 5018040	- Secondary fan P3
A019	- 6014042	- Appliance foot for P3 free-standing appliances, adjustable height
A020	- 2115479	- Left wheel-in rail 20.10 P3
A021	- 2115478	- Right wheel-in rail 20.10 P3
A022	- 6014051	- Fixed castor for loading trolley P3
A023	- 6014052	- Swivel castor for loading trolley with brake function P3
A024	- 3015000	- Condensate collecting tray for loading trolley 20.10 P3
A025	- 2004234	- Wheel-in ramp for loading trolley P3
A029	- 7003066	- Gasket 9x3mm
A030	- 5016001K	- Cable gland M25
A031	- 6005068	- 44x5 mm seal for low pressure cutout P3
A032	- 6005427	- Grommet, diameter 83 (DG 60)
B001	- 2520416	- Door assembly 20.10 P3
B003	- 2525040	- Door handle P3 Hygienic antibacterial w.fixing accessories
B004	- 6015249	- Catch for interior door of free-standing appliances P3
B005	- 2014005	- Silicon door clip P3
B006	- 6015200	- Door spacer P3
B009	- 2014007	- Hinge plate for top of door P3
B010	- 2014003	- Hinge plate for bottom of door P3
B012	- 2614804	- Slide panel assembly for disappearing door 20.10/20.20 P3
B013	- 2123274	- Slide panel cover for disappearing door 20.10/20.20 P3
B014	- 2619152	- Catch block on slide panel for disappearing door P3 with fixing accessories
B015	- 2523667	- Top and bottom hinge arm P3 with fixing accessories
B016	- 2619141	- Guide roller for disappearing door P3 with fixing accessories
B017	- 2619156	- Retaining block for disappearing door P3 with fixing accessories
B018	- 2619153	- Door stop for disappearing door P3 with fixing accessories
B019	- 2619154	- Support bar for disappearing door P3 with fixing accessories
B020	- 2619140	- Guide rail for disappearing door 6.20/10.20/12.20/20.20 P3 with fix.access.
B021	- 2619155	- Guide strip for disappearing door P3 with fixing accessories
B022	- 2117280	- Buffer for disappearing door P3 with fixing accessories
B023	- 2614750	- Guide fixing bracket for door on free-standing appliances P3
B024	- 2216070	- Door catch block P3 with fixing accessories
B025	- 2518798	- Door contact switch OES mini
B026	- 2514386	- Channel for crosswise door gasket 20.10 P3
B027	- 7011000	- Crosswise door gasket 20.10 P3
B028	- 6015204	- Brace for door on free-standing appliances P3
B029	- 6015201	- Door spacer pin P3
B030	- 2619147	- slide panel 20.10 P3 including guide rail and fixing accessories
B033	- 6002056	- Plastic plug for door latch
C001	- 5019406	- 5010 controller for SM control module P3
C002	- 5019402	- 5010 controller for GM gas module P3
C004	- 2618785	- Fixing accessories for controller P2 P3 OES mini
C005	- 5009304	- Connecting cable between control module and operating module P2 P3
C005	- 5019322	- Data cable between easyTOUCH operating module and control module P3
C006	- 2619973	- Retrofit kit for supply module (P2, P3, OES mini)
C007	- 2126353	- 7010 controller for easyTOUCH LED operating module P3 and OES mini
C009	- 2126350	- easyTOUCH LED "CONVOTHERM" front panel OEB/OGB
C013	- 6016521	- Plug-in cover for USB port easyTOUCH
C015	- 2119918	- easyTOUCH main switch with fixing accessories
C017	- 5019323	- Power cable for easyTOUCH operating module
C018	- 5019327	- Loudspeaker for 7000 controller easyTOUCH
C019	- 4008099	- Memory card for easyTOUCH operating module
C020	- 2119921	- USB port for 7000 controller easyTOUCH with fixing accessories
C021	- 8014000	- Spacer pin M3 20 mm
D001	- 2317313	- Steamgenerator assembly OGB 10.20/20.10/20.20 exc.burner unit,fixg.access.
D002	- 6015023	- Gasket for immersion heater P3
D005	- 5008079K	- Steam-generator emptying pump 200/240V with fixing accessories
D006	- 6015100K	- Right-angle drain pipe for steam generator P3 with fixing accessories

D007 - 7012018 - Steam-generator downpipe P3
 D008 - 6016500 - Return-flow protection for steam generator P3
 D009 - 7012086 - 1/2" pipe for filling the steam generator P3
 D010 - 5019000K - Dual-level sensor P3 with fixing accessories
 D011 - 6015040 - Gasket for dual-level sensor P3
 D012 - 6015207 - Hexagonal nut R1 1/2" for steam-generator screw coupling
 D013 - 5016003 - Thermal-cutout thermocouple for gas steam generator P3
 D014 - 5019004 - Thermal cutout for gas steam generator P3 (135°C)
 D015 - 2314968K - Inspection flange for gas steam generator P3 with fixing accessories
 D016 - 2314974K - Inspection flange for gas steam generator, threaded, P3 with fixing access.
 D017 - 2012212 - Gas flue pipe for steam generator OGB 20.10/20.20 insulated
 D024 - 6015022 - Gasket 60x48.5x2 (1 1/2") for steam generator P3
 D025 - 8009057 - Wire clip 36 mm
 E001 - 2617286 - Motor 6.10/6.20/10.10/20.10 P3 all voltages
 E002 - 2617294 - Set of fixing parts for motor and fan P3
 E003 - 2617295 - Set of seals for motor shaft P3
 E004 - 2625109 - Set of motor pins P3
 E005 - 2619958 - Fan wheel, diameter 350 mm P3
 E006 - 2617293 - Set of fan fixing parts P3
 E011 - 5001041 - Oven thermal cutout (340°C)
 E012 - 5016014K - Thermocouple sensor P3 / OES mini
 E013 - 2623208 - ConvectorexchangerOGS20.10 ex. burner unit, with fixing accessories
 E014 - 2012205 - Gas flue pipe for convector OGS/OGB 20.10 insulated
 F001 - 2625982 - Burnerunit assembly for convectorOGS/OGB10.10/20.10with fixing accessories
 F002 - 5018001 - Burner fan RG148 230V P3
 F002 - 5018000 - Burner fan RG128 230V P3
 F003 - 6016000 - Venturi 40kW P3
 F003 - 6016001 - Venturi 56kW P3
 F004 - 6016010 - Gas valve 230V P3
 F005 - 6016021 - Automatic firing device 230V (S4575B 3066)
 F006 - 2010014 - Burner Ø50M150 20kW P3
 F006 - 2010015 - Burner Ø63M210 40kW P3
 F007 - 2617320 - Monitoring electrode OGS/OGB with fixing accessories
 F008 - 2617321 - Incandescence ignition electrode, short, OGS/OGB with fixing accessories
 F008 - 2617322 - Incandescence ignition electrode, long, OGS/OGB with fixing accessories
 F009 - 2617323 - Burner inspection window P3 with fixing accessories
 F010 - 2625120 - Burner cable gland with seal OGS/OGB
 F011 - 2625121 - Gas pipe connecting bracket P3 with fixing accessories
 F012 - 2616517 - Gas pipe 780mm long P3 with fixing accessories
 F012 - 2616518 - Gas pipe 1550mm long P3 with fixing accessories
 F012 - 2616516 - Gas pipe 580mm long P3 with fixing accessories
 F013 - 2618162 - Set of gaskets for burner 30-40kW P3
 F013 - 2618161 - Set of gaskets for burner 12-20kW P3
 F014 - 2615313 - Butane-propane gas conversion set G30/G31 P3
 F014 - 2615315 - LPG P gas conversion set (Japan) P3
 F014 - 2615312 - Natural gas conversion set E/G20 P3
 F015 - 2618140K - Connector protective sheet f. automatic firing deviceP3with mountg. bracket
 F016 - 2010070 - Triple gas connection R3/4" P3
 F017 - 2615346 - Straight air intake pipe for burner P3
 F017 - 2615343 - Right-angle air intake pipe for burner P3
 F018 - 2625986 - Burner-unit assembly for steam generator OGB 20.10 with fixing accessories
 G001 - 5001059 - Single solenoid valve, straight 220/240V
 G001 - 5011000 - Triple solenoid valve, straight 220/240V
 G002 - 7002033 - Hot water pipe 3/8"
 G003 - 5011003 - Water supply T-connector 2x3/4" 1x1/2" P3
 G004 - 2013002 - Dehumidifier nozzle P3
 G005 - 2216796 - Demoisturising tray cover P3
 G006 - 6015215 - Right-angle pipe connector 3/8" with washer
 G007 - 2016113 - Pipeline for hand-shower connection 20.10/20.20 P3
 G008 - 6014003 - Angle valve for hand shower 1/2" P3
 G009 - 6014006 - Rotary cap for angle valve 1/2" P3
 G010 - 7012073 - Hand-shower hose 20.10/20.20 P3
 G011 - 6005005 - Hand-shower hose, free-standing appliances P3
 G012 - 2002042 - Hand-shower holder, free-standing appliances P3
 G015 - 6006086 - Hose clip 12-22mm
 G016 - 6006087 - Hose clip 25-40mm
 G017 - 6006089 - Hose clip 40-60mm
 G043 - 6015030 - Gasket chimney HL 6.10/6.20/10.10/20.10 P3
 H001 - 2012110K - Condenser for free-standing appliances P3 with fixing accessories
 H002 - 6015000 - Condenser seal P3
 H003 - 2425112 - Fixing parts for condenser P3
 H006 - 2016007K - Bypass measuring pipe P3 with fixing accessories
 H007 - 2016005K - Bypass pipe 20.10 P3 with fixing accessories
 H008 - 2217281 - Bypass cover P3 with fixing accessories
 H009 - 2012103 - Condenser quenching nozzle P3

H010 - 7012005 - Air outlet tube OEB/OGB 20.20 bottom P3
H010 - 7012009 - Air outlet tube OGB 20.10 bottom P3
H011 - 2124581K - Air-outlet pipe end20.10/20.20/OES/OGS6.10/6.20/10.10/10.20 +fix.access.
H012 - 2114301K - Air-outlet pipe center OEB/OGB 20.10/20.20 with fixing accessories
H015 - 4007087 - Heat-resistant cable tie, 140x3.6mm
I001 - 2114508 - Floor cover panel for appliances without CONVOClean system P3
I001 - 2617250 - Cleaner pump unit 230V free-standing appliances P3
I002 - 5018028 - Cleaner pump CONVOClean system P3 / OES mini
I003 - 2619149 - Pressure switch CONVOClean system 12.20/20.10/20.20 P3
I004 - 6014000 - 3-way pipe connector CONVOClean system P3
I005 - 6014001 - 2-way pipe connector CONVOClean system cleaner P3
I006 - 6005414 - Right-angle pipe connector 6mm
I007 - 2619150 - Partition screw connection CONVOClean system P3 / OES mini, 2 off
I008 - 2617594 - Suction pipe, ConvoClean with suction lance P3
I009 - 2617598 - Suction pipe ,ConvoCare with suction lance P3
I010 - 3007061 - Dirt filter for CONVOCare P3 / OES mini
I011 - 7012302 - EPDM pipe 6x2mm
I012 - 2611010 - Sprinkler nozzle, CONVOClean system P3 / OES mini
I013 - 2611184 - Armature nozzle, CONVOClean system P3
I014 - 2623282 - Set of cleaning nozzles, CONVOClean system P3 / OES mini
I015 - 6005413 - Water nozzle, CONVOClean system P3
I016 - 2625117 - Screw connection for pipes on cover (sealing washer and nut)
I017 - 2016122 - Cleaner pipe, CONVOClean system 20.10 P3
I018 - 2016020 - Water pipe, CONVOClean system 6.10/10.10/20.10 P3
I028 - 6006122 - Hose clip 7-11mm
I029 - 8009058 - Wire clip 10mm
I032 - 6019100 - Adhesive label, cleaner connection P3
I034 - 8019010 - Wire clip 16 mm
I036 - 6019109 - CONVOClean adhesive label
I037 - 6019111 - CONVOCare adhesive label
K002 - 5018027K - Fan safety grill 120 mm, with fixing accessories
L004 - 7004008 - Loctite type 243e threadlocker
L005 - 7004013 - Threadlocker
L006 - 7004020 - Silicon adhesive E 43
L007 - 7014005 - Copper paste
L009 - 7014004 - Aluminum insulating adhesive tape P3
L010 - 7015200 - Fan removal tool P3 with accessories
L011 - 7004018 - OKS 1120 lubricant

A001	- 2117416	- Seitenwand links 20.10 P3
A002	- 2117456	- Rückwand OGB 20.10
A003	- 2115446	- Frontteil 20.10 P3
A004	- 2114636	- Eckteil hinten links 20.10/20.20 P3
A005	- 2115466	- Decke OGB 20.10
A006	- 2119229	- Abdeckung Kondensator OGB 6.10/10.10/20.10 P3
A007	- 2618779	- Set Glühlampe 230V 25W mit Dichtung
A008	- 2618780	- Set Garraumleuchte komplett mit Reflektor
A009	- 7011003	- Hygienesteckdichtung Tür 20.10 P3
A010	- 2218111	- Ansaugblech OEB/OGB 20.10
A012	- 3315244	- Griff für Beschickungswagen 20.10 P3
A013	- 5013001	- Mehrpunkt-Kerntemperaturfühler mit Verschraubung P3
A014	- 6015026	- Dichtung für Kerntemperaturfühler P3
A015	- 2004035	- Halterung für Kerntemperaturfühlerkabel
A016	- 2608962	- Unterdrucksicherung P3
A017	- 2216090	- Zusatzlüfter P3 mit Montagematerial
A018	- 5018040	- Zusatzlüfter P3
A019	- 6014042	- Gerätefuß für P3 Standgeräte, höhenverstellbar
A020	- 2115479	- Einfahrschiene links 20.10 P3
A021	- 2115478	- Einfahrschiene rechts 20.10 P3
A022	- 6014051	- Bockrolle für Beschickungswagen P3
A023	- 6014052	- Lenkrolle für Beschickungswagen mit Stoppfunktion P3
A024	- 3015000	- Kondensatauffangwanne Beschickungswagen 20.10 P3
A025	- 2004234	- Einfahrkeil für Beschickungswagen P3
A029	- 7003066	- Dichtungsband 9x3mm
A030	- 5016001K	- Kabelverschraubung M25
A031	- 6005068	- Dichtung 44x5 mm für Unterdrucksicherung P3
A032	- 6005427	- Membrantülle Durchm. 83 (DG 60)
B001	- 2520416	- Tür 20.10 kompl. P3
B003	- 2525040	- Türgriff P3 Hygienisch Antibakteriel m.Montageteile
B004	- 6015249	- Verschlussklammer Innentür Standgeräte P3
B005	- 2014005	- Silikonfeder Tür P3
B006	- 6015200	- Abstandhalter Tür P3
B009	- 2014007	- Scharnierplatte für Türoberseite P3
B010	- 2014003	- Scharnier-Rastplatte für Türunterseite P3
B012	- 2614804	- Schlittenplatte Verschwindetür 20.10/20.20 kompl. P3
B013	- 2123274	- Verkleidung SchlittenplatteVerschwindetür 20.10/20.20 P3
B014	- 2619152	- Rasterklotz Schlittenplatte Verschwindetür P3 mit Montagematerial
B015	- 2523667	- Scharnierarm oben und unten P3 mit Montagematerial
B016	- 2619141	- Führungsrolle Verschwindetür P3 mit Montagematerial
B017	- 2619156	- Sicherungsklotz Verschwindetür P3 mit Montagematerial
B018	- 2619153	- Türanschlag Verschwindetür P3 mit Montagematerial
B019	- 2619154	- Stützleiste Verschwindetür P3 mit Montagematerial
B020	- 2619140	- Führungsschiene Verschwindetür6.20/10.20/12.20/20.20P3 mit Montagematerial
B021	- 2619155	- Führungsleiste Verschwindetür P3 mit Montagematerial
B022	- 2117280	- Anschlagpuffer Verschwindetür P3 mit Montagematerial
B023	- 2614750	- Führungsbügel Tür Standgeräte P3
B024	- 2216070	- Türkloben P3 mit Montagematerial
B025	- 2518798	- Türkontaktschalter OES mini
B026	- 2514386	- Trägerprofil für Querdichtung Tür 20.10 P3
B027	- 7011000	- Querdichtung Tür 20.10 P3
B028	- 6015204	- Gegenhalter Tür Standgeräte P3
B029	- 6015201	- Distanzbolzen Tür P3
B030	- 2619147	- Schlittenplatte 20.10 P3 mit Führungsschiene und Montagematerial
B033	- 6002056	- Abdeckkappe für Drehhebelverschluß
C001	- 5019406	- Steuerung 5010 Steuermodul SM P3
C002	- 5019402	- Steuerung 5010 Gasmodul GM P3
C004	- 2618785	- Montagezubehör für Steuerung P2 P3 OES mini
C005	- 5019322	- Datenkabel Bedienmodul easyTOUCH - Steuermodul P3
C005	- 5009304	- Verbindungskabel Steuermodul - Bedienmodul P2 P3
C006	- 2619973	- Nachrüstset Versorgungsmodul (P2, P3, OES mini)
C007	- 2126353	- Steuerung 7010 Bedienmodul easyTOUCH LED P3 und OES mini
C009	- 2126350	- Frontblende OEB/OGB easyTOUCH LED "CONVOTHERM"
C013	- 6016521	- Verschlussstopfen für USB-Anschluss easyTOUCH
C015	- 2119918	- Hauptschalter easyTOUCH mit Montagematerial
C017	- 5019323	- Versorgungskabel für Bedienmodul easyTOUCH
C018	- 5019327	- Lautsprecher für Steuerung 7000 easyTOUCH
C019	- 4008099	- Speicher-Karte für Bedienmodul easyTOUCH
C020	- 2119921	- USB-Anschluss für Steuerung 7000 easyTOUCH mit Montagematerial
C021	- 8014000	- Abstandsbolzen M3 20 mm
D001	- 2317313	- DampferzeugerOGB10.20/20.10/20.20kompl.ohne Brennerinheit mit Montagemat.
D002	- 6015023	- Flachdichtung für Tauchheizkörper P3
D005	- 5008079K	- Dampferzeuger-Entleerungspumpe 200/240V mit Montagematerial
D006	- 6015100K	- Ablaufwinkel für Dampferzeuger P3 mit Montagematerial

D007 - 7012018 - Dampferzeuger-Ablaufschlauch P3
 D008 - 6016500 - Rücksaugicherung für Dampferzeuger P3
 D009 - 7012086 - Schlauch 1/2" für Dampferzeuger-Befüllung P3
 D010 - 5019000K - Doppelniveausonde mit Montagematerial P3
 D011 - 6015040 - Dichtung für Doppelniveausonde P3
 D012 - 6015207 - Sechskantmutter R1 1/2" für Dampferzeugerverschraubung
 D013 - 5016003 - STB-Thermoelementfühler für Gas Dampferzeuger P3
 D014 - 5019004 - Sicherheitstemperaturbegrenzer für Gas-Dampferzeuger P3 (135°C)
 D015 - 2314968K - Inspektionsflansch für Gas-Dampferzeuger P3 mit Montagematerial
 D016 - 2314974K - Inspektionsflansch für Gas-Dampferzeuger mit GewindeP3 inkl.Montagematerial
 D017 - 2012212 - Abgasstutzen Dampferzeuger OGB 20.10/20.20 isoliert
 D024 - 6015022 - Flachdichtung 60x48,5x2 (1 1/2") für Dampferzeuger P3
 D025 - 8009057 - Drahtschelle 36 mm
 E001 - 2617286 - Motor 6.10/6.20/10.10/20.10 P3 alle Spannungen
 E002 - 2617294 - Set Motorbefestigung und Lüfterradbefestigung P3
 E003 - 2617295 - Set Motorwellendichtung P3
 E004 - 2625109 - Set Motorbolzen P3
 E005 - 2619958 - Lüfterrad Durchm. 350 mm P3
 E006 - 2617293 - Set Lüfterradbefestigung P3
 E011 - 5001041 - Garraum-Sicherheitstemperaturbegrenzer (340°C)
 E012 - 5016014K - Thermoelementfühler P3 / OES mini
 E013 - 2623208 - Heißluft-Wärmetauscher OGS 10.10/20.10 ohne Brenneinheit, mit
 E014 - 2012205 - Abgasstutzen Heißluft OGS/OGB 20.10 isoliert
 F001 - 2625982 - Brenneinheit Heißluft OGS/OGB 10.10/20.10 kompl. mit Montagematerial
 F002 - 5018000 - Brennergebläse RG128 230V P3
 F002 - 5018001 - Brennergebläse RG148 230V P3
 F003 - 6016000 - Venturi 40kW P3
 F003 - 6016001 - Venturi 56kW P3
 F004 - 6016010 - Gasventil 230V P3
 F005 - 6016021 - Feuerungsautomat 230V (S4575B 3066)
 F006 - 2010014 - Brenner Ø50M150 20kW P3
 F006 - 2010015 - Brenner Ø63M210 40kW P3
 F007 - 2617320 - Überwachungselektrode OGS/OGB mit Montagematerial
 F008 - 2617321 - Glühzündelektrode kurz OGS/OGB mit Montagematerial
 F008 - 2617322 - Glühzündelektrode lang OGS/OGB mit Montagematerial
 F009 - 2617323 - Schauglas Brenner P3 mit Montagematerial
 F010 - 2625120 - Kabeldurchführung Brenner mit Dichtung OGS/OGB
 F011 - 2625121 - Anschlusswinkel Gasschlauch P3 mit Montagematerial
 F012 - 2616518 - Gasschlauch 1550mm lang P3 mit Montagematerial
 F012 - 2616516 - Gasschlauch 580mm lang P3 mit Montagematerial
 F012 - 2616517 - Gasschlauch 780mm lang P3 mit Montagematerial
 F013 - 2618161 - Dichtungssatz für Brenner 12-20kW P3
 F013 - 2618162 - Dichtungssatz für Brenner 30-40kW P3
 F014 - 2615312 - Gas-Umrüstset auf Erdgas E/G20 P3
 F014 - 2615313 - Gas-Umrüstset auf Butan-Propan G30/G31 P3
 F014 - 2615315 - Gas-Umrüstset auf LPG P (Japan) P3
 F015 - 2618140K - Steckerschutzfolie für Feuerungsautomat P3 mit Montagebügel
 F016 - 2010070 - Dreifachgasanschluß R3/4" P3
 F017 - 2615346 - Luftansaugstrecke Brenner gerade P3
 F017 - 2615343 - Luftansaugstrecke Brenner gewinkelt P3
 F018 - 2625986 - Brenneinheit Dampferzeuger OGB 20.10 kompl. mit Montagematerial
 G001 - 5001059 - Einfachmagnetventil gerade 220/240V
 G001 - 5011000 - Dreifachmagnetventil gerade 220/240V
 G002 - 7002033 - Heisswasserschlauch 3/8"
 G003 - 5011003 - T-Verbindungsstück WA 2x3/4" 1x1/2" P3
 G004 - 2013002 - Entfeuchtungsdüse P3
 G005 - 2216796 - Entfeuchtungswannen-Abdeckung P3
 G006 - 6015215 - Winkel-Schlauchanschluss 3/8" m. Dichtung
 G007 - 2016113 - Rohrleitung für Handbrauseanschluss 20.10/20.20 P3
 G008 - 6014003 - Eckventil für Handbrause 1/2" P3
 G009 - 6014006 - Drehkappe für Eckventil 1/2" P3
 G010 - 7012073 - Handbrauseschlauch 20.10/20.20 P3
 G011 - 6005005 - Handbrause Standgeräte P3
 G012 - 2002042 - Aufhängung Handbrause Standgeräte P3
 G015 - 6006086 - Schlauchbinder 12-22mm
 G016 - 6006087 - Schlauchbinder 25-40mm
 G017 - 6006089 - Schlauchbinder 40-60mm
 G043 - 6015030 - Dichtung Kamin HL 6.10/6.20/10.10/20.10 P3
 H001 - 2012110K - Kondensator Standgeräte P3 mit Montagematerial
 H002 - 6015000 - Dichtung Kondensator P3
 H003 - 2425112 - Befestigungsmaterial für Kondensator P3
 H006 - 2016007K - Bypassmeßrohr P3 mit Montagematerial
 H007 - 2016005K - Bypassleitung 20.10 P3 mit Montagematerial
 H008 - 2217281 - Bypassabdeckung P3 mit Montagematerial
 H009 - 2012103 - Ablöschdüse Kondensator P3

H010 - 7012005 - Abluftschlauch OEB/OGB 20.20 unten P3
H010 - 7012009 - Abluftschlauch OGB 20.10 unten P3
H011 - 2124581K - Abluftstutzen20.10/20.20/OES/OGS6.10/6.20/10.10/10.20 mit Montagematerial
H012 - 2114301K - Abluftrohr mitte OEB/OGB 20.10/20.20 mit Montagematerial
H015 - 4007087 - Kabelbinder hitzebeständig, 140x3,6mm
I001 - 2114508 - Bodenabdeckung für Geräte ohne CONVOClean system P3
I001 - 2617250 - Reinigerpumpeneinheit 230V Standgeräte P3
I002 - 5018028 - Reinigerpumpe CONVOClean system P3 / OES mini
I003 - 2619149 - Druckschalter CONVOClean system 12.20/20.10/20.20 P3
I004 - 6014000 - Schlauchanschluss CONVOClean system 3fach P3
I005 - 6014001 - Schlauchanschluss CONVOClean system Reiniger 2fach P3
I006 - 6005414 - Winkel-Schlauchverbindungsstutzen 6mm
I007 - 2619150 - Schottverschraubung CONVOClean system P3 / OES mini, 2 Stück
I008 - 2617594 - Saugschlauch ConvoClean mit Ansauglanze P3
I009 - 2617598 - Saugschlauch ConvoCare mit Ansauglanze P3
I010 - 3007061 - Schmutzsieb für CONVOCare P3 / OES mini
I011 - 7012302 - EPDM-Schlauch 6x2mm
I012 - 2611010 - Sprinklerdüse CONVOClean system P3 / OES mini
I013 - 2611184 - Rotordüse CONVOClean system P3
I014 - 2623282 - Set Reinigerdüsen CONVOClean system P3 / OES mini
I015 - 6005413 - Wasserdüse CONVOClean system P3
I016 - 2625117 - Verschraubung für Rohrleitungen an Decke (Dichtung und Mutter)
I017 - 2016122 - Rohrleitung Reiniger CONVOClean system 20.10 P3
I018 - 2016020 - Rohrleitung Wasser CONVOClean system 6.10/10.10/20.10 P3
I028 - 6006122 - Schlauchbinder 7-11mm
I029 - 8009058 - Drahtschelle 10mm
I032 - 6019100 - Aufkleber Reinigeranschluss P3
I034 - 8019010 - Drahtschelle 16 mm
I036 - 6019109 - Kennzeichnungsaufkleber CONVOClean
I037 - 6019111 - Kennzeichnungsaufkleber CONVOCare
K002 - 5018027K - Lüfterschutzgitter 120 mm mit Montagematerial
L004 - 7004008 - Sicherungsmittel Loctite Typ 243e
L005 - 7004013 - Schraubensicherungslack
L006 - 7004020 - Silikonkleber E 43
L007 - 7014005 - Kupferpaste
L009 - 7014004 - Alu-Klebeband für Isolierung P3
L010 - 7015200 - Abzieher für Lüfterrad P3 mit Zubehör
L011 - 7004018 - Schmiermittel OKS 1120

A001	- 2117416	- Paroi latérale gauche 20.10 P3
A002	- 2117456	- Panneau arrière OGB 20.10
A003	- 2115446	- Partie avant 20.10 P3
A004	- 2114636	- Angle arrière gauche 20.10/20.20 P3
A005	- 2115466	- Plafond OGB 20.10
A006	- 2119229	- Capot condenseur OGB 6.10/10.10/20.10 P3
A007	- 2618779	- Kit lampe à incandescence 230V 25W avec joint
A008	- 2618780	- Kit voyant d'enceinte de cuisson complet avec réflecteur
A009	- 7011003	- Joint d'étanchéité emboité porte 20.10 P3
A010	- 2218111	- Tôle d'aspiration OEB/OGB 20.10
A012	- 3315244	- Poignée pour chariot d'enfournement 20.10 P3
A013	- 5013001	- Capteur de température à cœur multipoint avec presse-étoupe P3
A014	- 6015026	- Joint pour capteur de température à cœur P3
A015	- 2004035	- Support pour câble du capteur de température à cœur
A016	- 2608962	- Limiteur de dépression P3
A017	- 2216090	- Ventilateur d'appoint P3 avec sujétions de montage
A018	- 5018040	- Ventilateur d'appoint P3
A019	- 6014042	- Pied d'appareil pour appareils sur pieds P3, réglable en hauteur
A020	- 2115479	- Rail gauche 20.10 P3
A021	- 2115478	- Rail droit 20.10 P3
A022	- 6014051	- Roulette pour chariot d'enfournement P3
A023	- 6014052	- Roulette orientable pour chariot d'enfournement avec fonction arrêt P3
A024	- 3015000	- Bac de collecte condensation chariot d'enfournement 20.10 P3
A025	- 2004234	- Tasseau de centrage du chariot d'enfournement P3
A029	- 7003066	- Joint-ruban 9x3 mm
A030	- 5016001K	- Presse-étoupe M25
A031	- 6005068	- Joint 44x5 mm pour limiteur de dépression P3
A032	- 6005427	- Diam. passe-tube 83 (DG 60)
B001	- 2520416	- Porte 20.10 compl. P3
B003	- 2525040	- Poignée de porte P3 avec sujétions de montage
B004	- 6015249	- Loquet de fermeture porte intérieure appareils sur pieds P3
B005	- 2014005	- Amortisseur silicone porte P3
B006	- 6015200	- Ecarteur porte P3
B009	- 2014007	- Plaque de charnière pour face supérieure porte P3
B010	- 2014003	- Plaque de charnière à encliqueter pour face inférieure porte P3
B012	- 2614804	- Plaque glissière porte escamotable 20.10/20.20 compl. P3
B013	- 2123274	- Habillage plaque glissière porte escamotable 20.10/20.20 P3
B014	- 2619152	- Cale d'encliquetage plaque glissière porte escamot.P3 +sujétions de montage
B015	- 2523667	- Bras de charnière haut et bas P3 avec sujétions de montage
B016	- 2619141	- Galet de guidage porte escamotable P3 avec sujétions de montage
B017	- 2619156	- Cale de sécurité Porte escamotable P3 avec sujétions de montage
B018	- 2619153	- Butée de porte Porte escamotable P3 avec sujétions de montage
B019	- 2619154	- Baguette d'appui Porte escamotable P3 avec sujétions de montage
B020	- 2619140	- Rail de guidage Porte escamot.6.20/10.20/12.20/20.20P3 +sujétions de mont.
B021	- 2619155	- Barrette de guidage Porte escamotable P3 avec sujétions de montage
B022	- 2117280	- Tampon de butée Porte escamotable P3 avec sujétions de montage
B023	- 2614750	- Etrier de guidage Porte Appareils sur pieds P3
B024	- 2216070	- Gâche de porte P3 avec sujétions de montage
B025	- 2518798	- Contact porte OES mini
B026	- 2514386	- Profilé dormant pour joint transversal Porte 20.10 P3
B027	- 7011000	- Joint transversal Porte 20.10 P3
B028	- 6015204	- Contre-support Porte Appareils sur pieds P3
B029	- 6015201	- Boulon entretoise Porte P3
B030	- 2619147	- plaque glissière 20.10 P3 avec rail de guidage et sujétions de mont.
B033	- 6002056	- Chape pour poignée béquille
C001	- 5019406	- Commande 5010 Module de commande SM P3
C002	- 5019402	- Commande 5010 Module à gaz GM P3
C004	- 2618785	- Accessoires de montage pour commande P2 P3 OES mini
C005	- 5009304	- Câble de liaison Module de commande - Module de service P2 P3
C005	- 5019322	- Câble de données Module de service easyTOUCH - Module de commande P3
C006	- 2619973	- Kit d'adaptation Module d'alimentation (P2, P3, OES mini)
C007	- 2126353	- Commande 7010 Module de service easyTOUCH LED P3 et OES mini
C009	- 2126350	- Face avant OEB/OGB easyTOUCH LED "CONVOTHERM"
C013	- 6016521	- Clapet de fermeture pour connexion USB easyTOUCH
C015	- 2119918	- Interrupteur général easyTOUCH avec accessoires de montage
C017	- 5019323	- Câble d'alimentation pour module de service easyTOUCH
C018	- 5019327	- Haut-parleur pour commande 7000 easyTOUCH
C019	- 4008099	- Carte mémoire pour module de service easyTOUCH
C020	- 2119921	- Connexion USB pour commande 7000 easyTOUCH avec accessoires de montage
C021	- 8014000	- Boulon entretoise M3 20 mm
D001	- 2317313	- GénérateurvapeurOGB10.20/20.10/20.20compl.sans unité brûl.,access.de mont.
D002	- 6015023	- Joint plat pour élément chauffant plongeur P3
D005	- 5008079K	- Pompe de vidange du générateur de vap.200/240V avec accessoires de montage
D006	- 6015100K	- Cornière d'écoulement pour générateur de vapeurP3 avec accessoires de mont.

D007 - 7012018 - Tuyau d'écoulement pour générateur de vapeur P3
 D008 - 6016500 - Sécurité anti-retour d'eau par siphonage, pour générateur de vapeur P3
 D009 - 7012086 - Tuyau 1/2" pour remplissage du générateur de vapeur P3
 D010 - 5019000K - Capteur double niveau avec accessoires de montage P3
 D011 - 6015040 - Joint pour capteur double niveau P3
 D012 - 6015207 - Ecrou hexagonal R1 1/2" pour raccord du générateur de vapeur
 D013 - 5016003 - Capteur thermocouple LTS pour générateur de vapeur GAS P3
 D014 - 5019004 - Limiteur de temp. de sécurité pour générateur de vapeur à gaz P3 (135 °C)
 D015 - 2314968K - Bride de contrôle p. générateur de vap.à gaz P3 avec access. de montage
 D016 - 2314974K - Bride de contrôle p.générateur de vap.à gaz +filetage P3 +access.montage
 D017 - 2012212 - Conduite d'échappement générateur de vapeur OGB 20.10/20.20 isolé
 D024 - 6015022 - Joint plat 60x48,5x2 (1 1/2") pour générateur de vapeur P3
 D025 - 8009057 - Collier de câble 36 mm
 E001 - 2617286 - Moteur 6.10/6.20/10.10/20.10 P3 toutes tensions
 E002 - 2617294 - Kit fixation moteur et fixation ventilateur P3
 E003 - 2617295 - Kit garniture d'arbre moteur P3
 E004 - 2625109 - Jeu de boulons moteur P3
 E005 - 2619958 - Diam. ventilateur 350 mm P3
 E006 - 2617293 - Kit fixation ventilateur P3
 E011 - 5001041 - Limiteur de température de sécurité de l'enceinte de cuisson (340°C)
 E012 - 5016014K - Capteur thermocouple P3 / OES mini
 E013 - 2623208 - Echangeur thermique air pulsé OGS20.10 ss unité brûleur,+ access.de montage
 E014 - 2012205 - Conduite d'échappement d'air pulsé OGS/OGB 20.10 isolée
 F001 - 2625982 - Unité brûleur air pulsé OGS/OGB 10.10/20.10 compl. +accessoires de montage
 F002 - 5018001 - Ventilateur brûleur RG148 230V P3
 F002 - 5018000 - Ventilateur brûleur RG128 230V P3
 F003 - 6016000 - Venturi 40 kW P3
 F003 - 6016001 - Venturi 56 kW P3
 F004 - 6016010 - Vanne gaz 230V P3
 F005 - 6016021 - Automatisation d'allumage 230V (S4575B 3066)
 F006 - 2010015 - Brûleur Ø63M210 40 kW P3
 F006 - 2010014 - Brûleur Ø50M150 20 kW P3
 F007 - 2617320 - Electrode de surveillance OGS/OGB avec accessoires de montage
 F008 - 2617321 - Electrode d'auto-allumage courte OGS/OGB avec accessoires de montage
 F008 - 2617322 - Electrode d'auto-allumage longue OGS/OGB avec accessoires de montage
 F009 - 2617323 - Voyant brûleur P3 avec accessoires de montage
 F010 - 2625120 - Passe-fil brûleur avec joint OGS/OGB
 F011 - 2625121 - Coude de raccordement tuyau gaz P3 avec accessoires de montage
 F012 - 2616516 - Tuyau de gaz longueur 580 mm P3 avec accessoires de montage
 F012 - 2616517 - Tuyau de gaz longueur 780 mm P3 avec accessoires de montage
 F012 - 2616518 - Tuyau de gaz longueur 1 550 mm P3 avec accessoires de montage
 F013 - 2618161 - Garniture d'étanchéité pour brûleur 12-20 kW P3
 F013 - 2618162 - Garniture d'étanchéité pour brûleur 30-40 kW P3
 F014 - 2615313 - Kit d'adaptation gaz à butane-propane G30/G31 P3
 F014 - 2615315 - Kit d'adaptation gaz à GPL P (Japon) P3
 F014 - 2615312 - Kit d'adaptation gaz à gaz naturel E/G20 P3
 F015 - 2618140K - Film de protec.de connecteur p.automatisme d'allumageP3 +étrier de montage
 F016 - 2010070 - Raccordement gaz triple R3/4" P3
 F017 - 2615346 - Tube d'admission d'air brûleur droit P3
 F017 - 2615343 - Tube d'admission d'air brûleur coudé P3
 F018 - 2625986 - Unité brûleur Générateur vapeurOGB20.10 compl. avec accessoires de montage
 G001 - 5011000 - Electrovanne triple droite 220/240V
 G001 - 5001059 - Electrovanne simple droite 220/240V
 G002 - 7002033 - Tuyau d'eau chaude 3/8"
 G003 - 5011003 - Raccord en T alimentation eau 2x3/4" 1x1/2" P3
 G004 - 2013002 - Buse de déshumidification P3
 G005 - 2216796 - Couvercle pour bacs de déshumidification P3
 G006 - 6015215 - Raccord coudé pour tuyau 3/8" avec joint
 G007 - 2016113 - Tuyau pour raccordement douchette 20.10/20.20 P3
 G008 - 6014003 - Vanne d'angle pour douchette 1/2" P3
 G009 - 6014006 - Capot pivotant pour vanne d'angle 1/2" P3
 G010 - 7012073 - Tuyau pour douchette 20.10/20.20 P3
 G011 - 6005005 - Douchette appareils sur pieds P3
 G012 - 2002042 - Accroche douchette appareils sur pieds P3
 G015 - 6006086 - Collier de tube 12-22 mm
 G016 - 6006087 - Collier de tube 25-40 mm
 G017 - 6006089 - Collier de tube 40-60 mm
 G043 - 6015030 - Joint cheminée HL 6.10/6.20/10.10/20.10 P3
 H001 - 2012110K - Condenseur appareils sur pieds P3 avec accessoires de montage
 H002 - 6015000 - Joint condenseur P3
 H003 - 2425112 - Matériel de fixation pour condenseur P3
 H006 - 2016007K - Tube de mesurage en dérivation P3 avec accessoires de montage
 H007 - 2016005K - Ligne de dérivation 20.10 P3 avec accessoires de montage
 H008 - 2217281 - Capot pour dérivation P3 avec accessoires de montage
 H009 - 2012103 - Buse d'extinction condenseur P3

H010 - 7012009 - Tuyau d'extraction d'air OGB 20.10 en bas P3
H010 - 7012005 - Tuyau d'extraction d'air OEB/OGB 20.20 en bas P3
H011 - 2124581K - Manchon d'évac.d'air20.10/20.20/OES/OGS6.10/6.20/10.10/10.20 +access.mont.
H012 - 2114301K - Tuyau d'évacuation d'air milieuOEB/OGB 20.10/20.20 +accessoires de montage
H015 - 4007087 - Collier de câble résistant à la chaleur, 140x3,6mm
I001 - 2617250 - Unité pompe à nettoyant 230V appareils sur pieds P3
I001 - 2114508 - Couvre-sol pour appareils sans système CONVOClean P3
I002 - 6018028 - Pompe à nettoyant système CONVOClean P3 / OES mini
I003 - 2619149 - Pressostat système CONVOClean 12.20/20.10/20.20 P3
I004 - 6014000 - Raccord pour tuyau système CONVOClean triple P3
I005 - 6014001 - Raccord pour tuyau Nettoyant système CONVOClean double P3
I006 - 6005414 - Manchon de raccordement de tube, coudé 6 mm
I007 - 2619150 - Traversée de cloison système CONVOClean P3 / OES mini, 2 unités
I008 - 2617594 - Tuyau d'aspiration ConvoClean avec lance d'aspiration P3
I009 - 2617598 - Tuyau d'aspiration ConvoClean avec lance d'aspiration P3
I010 - 3007061 - Crépine à impuretés pour CONVOCare P3 / OES mini
I011 - 7012302 - Tuyau EPDM 6x2 mm
I012 - 2611010 - Bec d'arroseur système CONVOClean P3 / OES mini
I013 - 2611184 - Buse du rotor système CONVOClean P3
I014 - 2623282 - Kit buses de nettoyage système CONVOClean P3 / OES mini
I015 - 6005413 - Buse à eau système CONVOClean P3
I016 - 2625117 - Raccord pour tuyaux au plafond (joint et écrou)
I017 - 2016122 - Tuyau de nettoyant système CONVOClean 20.10 P3
I018 - 2016020 - Tuyau d'eau système CONVOClean 6.10/10.10/20.10 P3
I028 - 6006122 - Collier pour tuyau 7-11 mm
I029 - 8009058 - Collier de câble 10 mm
I032 - 6019100 - Autocollant raccordement pour nettoyant P3
I034 - 8019010 - Collier de câble 16 mm
I036 - 6019109 - Autocollant d'identification CONVOClean
I037 - 6019111 - Autocollant d'identification CONVOCare
K002 - 5018027K - Grille de protection de ventilateur 120 mm avec matériel de fixation
L004 - 7004008 - Produit de protection Loctite Type 243e
L005 - 7004013 - Laque de protection des vis
L006 - 7004020 - Colle silicone E 43
L007 - 7014005 - Pâte à cuivre
L009 - 7014004 - Ruban adhésif alu pour isolation P3
L010 - 7015200 - Arrache-moyeux pour roue de ventilateur P3 avec accessoires
L011 - 7004018 - Lubrifiant OKS 1120