



**Ice Machine Parts List for
Series S 30" Dispensers Models**

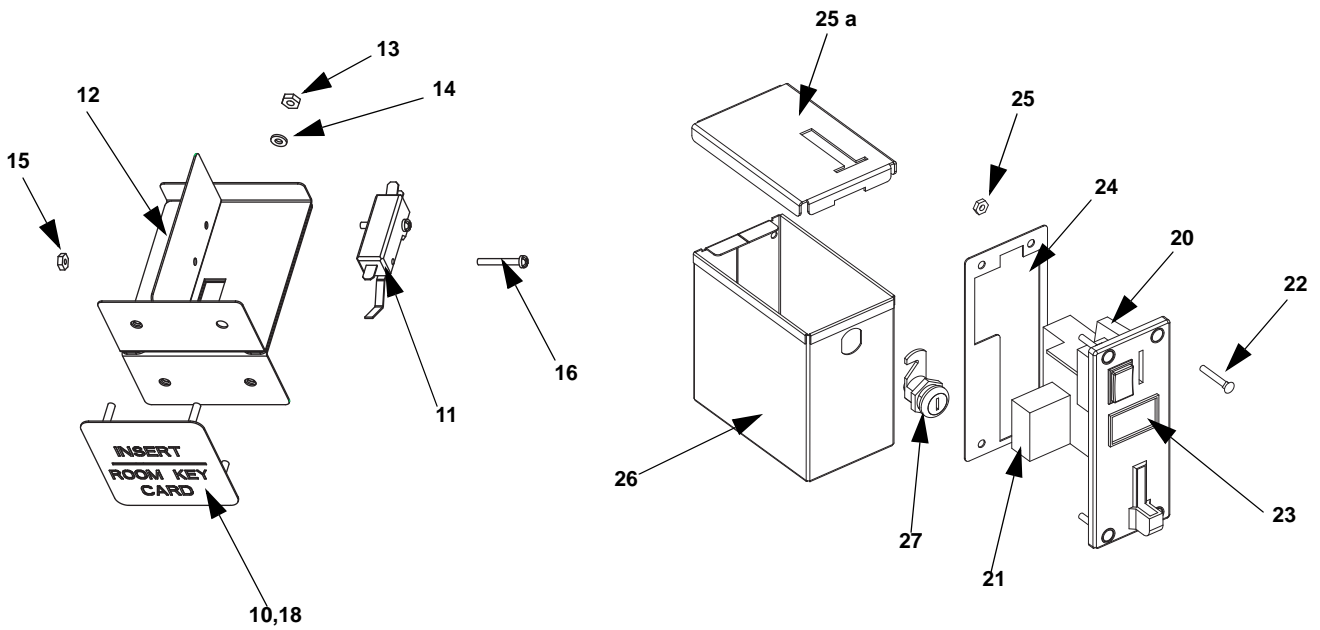
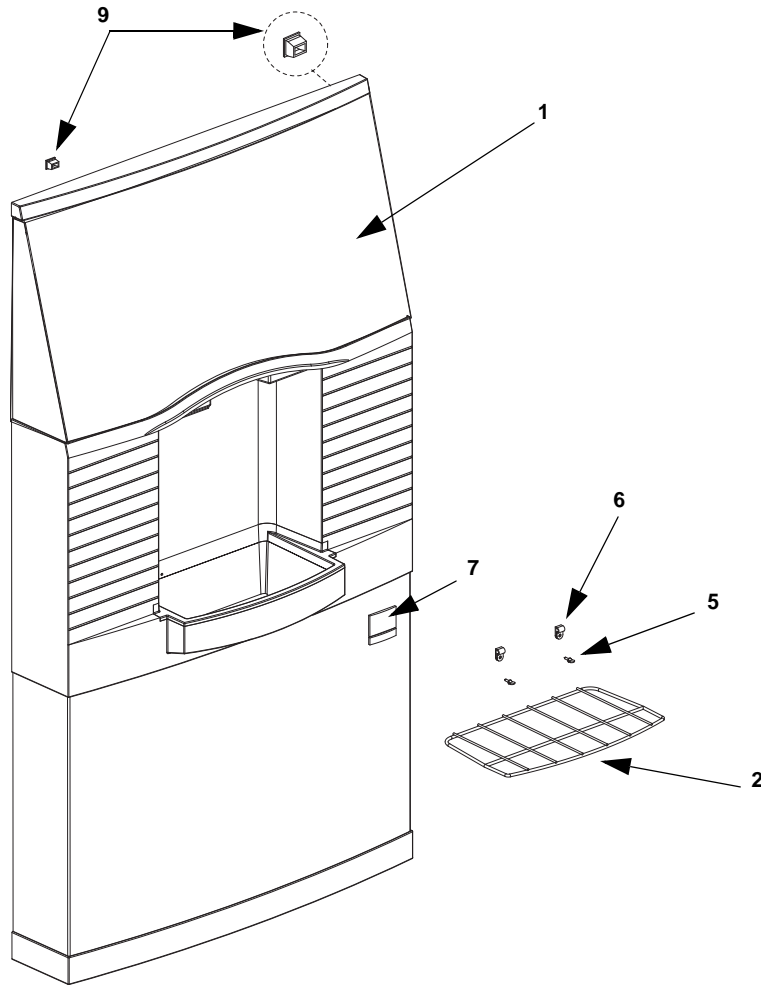
SFA-291

SRA-340

SPA-310

SCA-330

SPA-310, SRA-340, SFA-291, SCA-330 DOOR ASSEMBLY



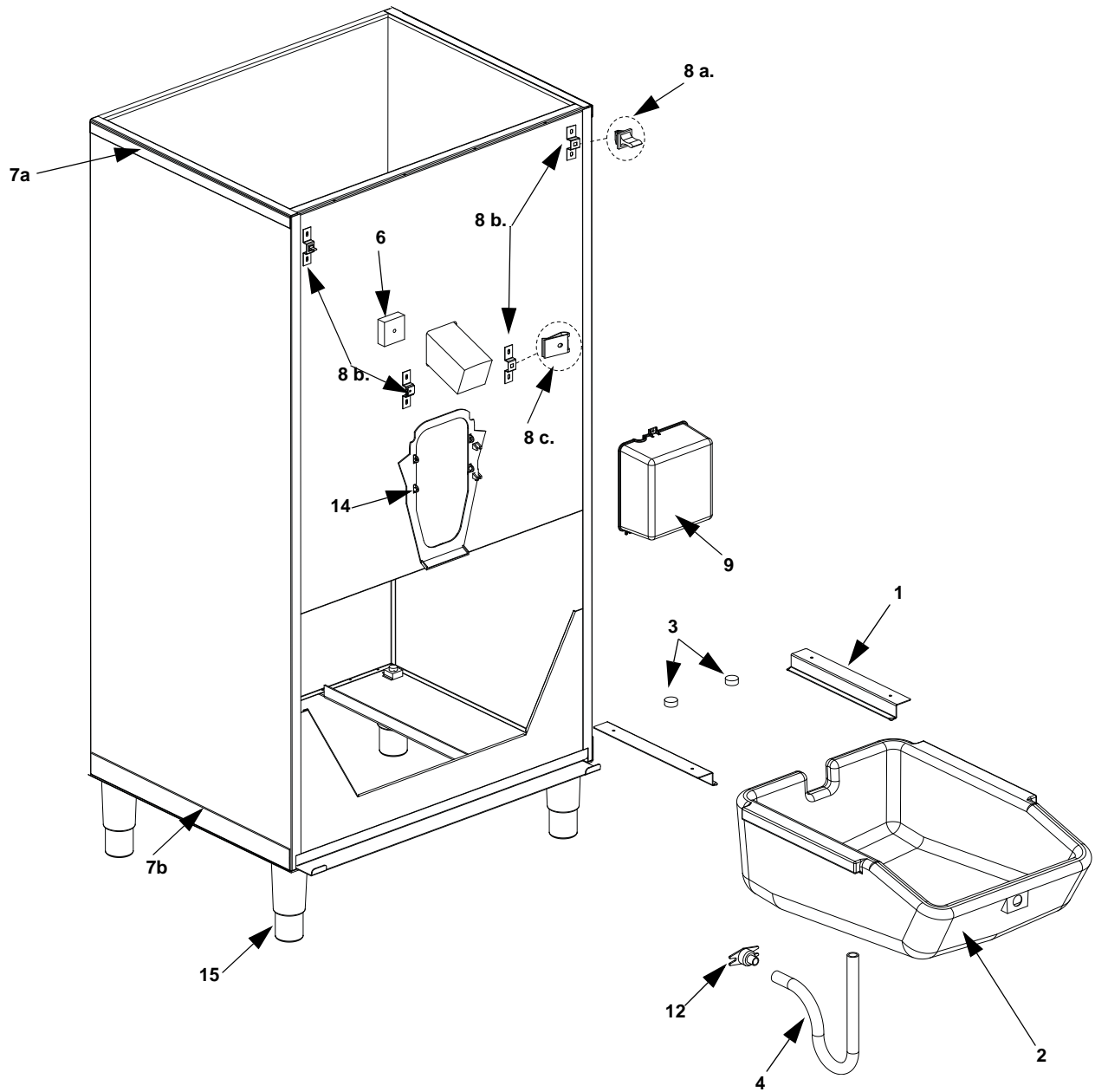
Updated: 6/05

SPA-310, SRA-340, SFA-291, SCA-330 DOOR ASSEMBLY, CONTINUED

DESCRIPTION	PART NO.	
	New Part	Old Part
1 Main Door Assembly		
a. SPA-310 Rocking Chute	5029751	000000198
b. SCA-330 Coin Chute	5030872	000000200
c. SRA-340 Room Card	5030873	000000201
d. SFA-291 Push Button Glass Fill	5030874	000000199
e. Upper Door Panel	5029542	000000218
f. Lower Door Panel	5029543	000000219
2 Wire Grill	5029519	000000208
3 Water Fill Valve (not shown).	202-FN-SLB-B	000000209
a. Bracket Water Fill Valve	5011281	000000210
b. Arm	516-06	000000558
c. Lever Retainer Clip	517-00	000001024
d. Water Inlet Fitting	13-6096-1	
e. Water Inlet Wing Adapter	87-0609-3	
4 Wiring Harness		
a. 115V	5029448	000000213
b. 220V	5029447	000000214
SPA-310, SRA-340, SFA-291, Miscellaneous – Brackets, Screws, etc.		
5 Thumbscrew 8 x 1/2" type A	5008075	97-5008-3
6 Clamp 1/4" Grid Black	5007667	97-5009-3
7 Label Manitowoc Logo	same	81-3001-3
a. Snowflake Logo	same	81-3000-3
8 Carton Assembly (without pallet)	5007538	97-5063-3
a. Carton Pallet	5008373	
9 Door Attachment Fastener Latch	00217721	000000211
SRA-340		
10 Plate Front	5008271	97-5080-3
11 Switch.	5008269	97-5081-3
12 Bracket.	5008270	97-5082-3
13 Nut 8-32 Hex SS	0902103	97-5083-3
14 Washer Star #8 SS.	0901915	97-5084-3
15 Nut 6-32 Kept HH SS.	88000087	97-5085-3
16 Screw 6-32 x 1" SS PH RH MS	0900901	97-5086-3
17 Wiring Harness (not shown).	5008594	000000212
18 Insert Card Label	5008455	97-5088-3
19 Wiring Diagram Label (SRA-340) (not shown)		
a. 115V	5029412	000000228
b. 220/240V.	5029428	000000255
SCA-330		
20 Coin Mechanism with Microswitch	5008313	97-5056-3
21 Timer, Coin Mechanism 115V	5008325	97-5057-3
Timer, Coin Mechanism 230V	5009453	97-5060-3
22 Bolt Carriage 8-32 x 1" Black.	5008370	97-5078-3
23 Coin Mechanism Label.	5009899	97-5076-3
24 Plate	5008379	97-5077-3
25 Nut Kept 42	00201803	97-5074-3
26 Coin Box.	5030562	000000215
a. Coin Box Cover.	5030561	000000216
27 Box Lock		97-5073-3

Updated: 2/11

SPA-310, SRA-340, SFA-291, SCA-330 CABINET ASSEMBLY



Updated: 6/09

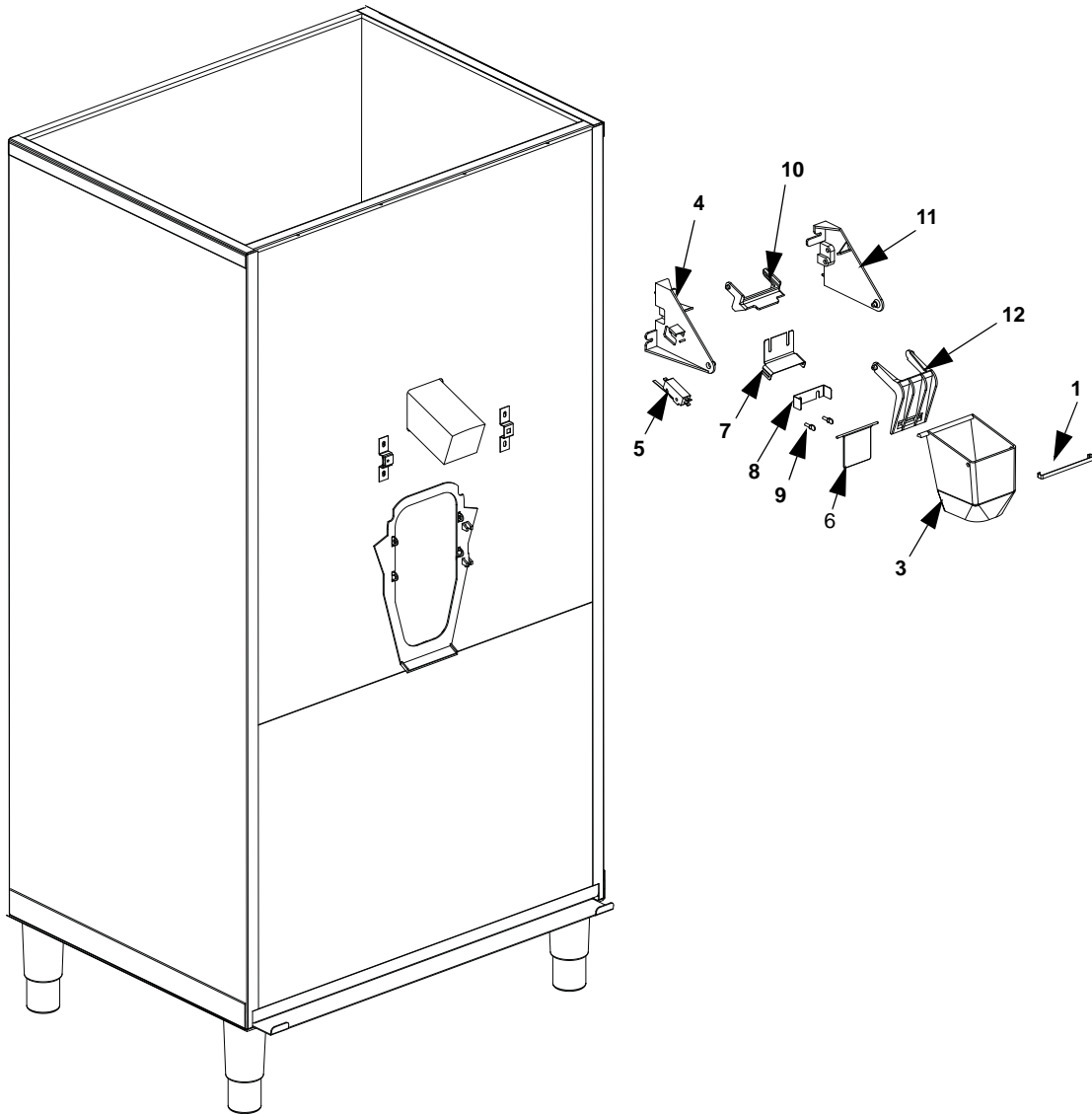
SPA-310, SRA-340, SFA-291, SCA-330 CABINET ASSEMBLY, CONTINUED

DESCRIPTION	PART NO.	
	New Part	Old Part
SPA-310, SRA-340, SFA-291, SCA-330 Drain Pan Assembly		
1 Bracket Drainpan Support	5029691	000000223
2 Drain Pan Assembly	5029307	000000225
3 Drain Pan Stops	5014120	NA
4 Tubing Drain w/Insulation	5010341	000000226
a. Drain Strainer.	5013878	NA
SPA-310, SRA-340, SFA-291, SCA-330 Electrical		
5 Timer Agitation	020000222	97-5027-3
6 Label Wiring Diagram	5029412	000000228
SPA-310, SRA-340, SFA-291, SCA-330 Miscellaneous – Brackets, Screws, etc.		
7 Trim Decorative		
a. Top	5029523	000000229
b. Bottom	5029522	000000256
8 Front Door Attachment		
a. Fastener Strike	00217722	000000230
b. Bracket Strike	5029694	000000231
c. Clip	0900240	000000232
9 Electrical Box		
a. 60 Hz	5028992	000000233
b. 50 Hz	5008115	000000234
10 Electrical Box Cover	5008116	000000235
11 Cord Electrical (not shown).	5008642	97-5033-3
12 Fitting 1/2" Brass.	same	87-0608-3
13 Baffle (not shown).	same	K00346
14 Motor Pin Retaining Bracket	5010220	† 97-5065-9
15 Legs	5030236	000000236

Updated: 6/09

† Refer to Cross Reference Guide

**SPA-310, SRA-340, SFA-291, SCA-330 ROCKING CHUTE ASSEMBLY
BEFORE SERIAL NUMBER 610065954**



DESCRIPTION

PART NO.

New Part

Old Part

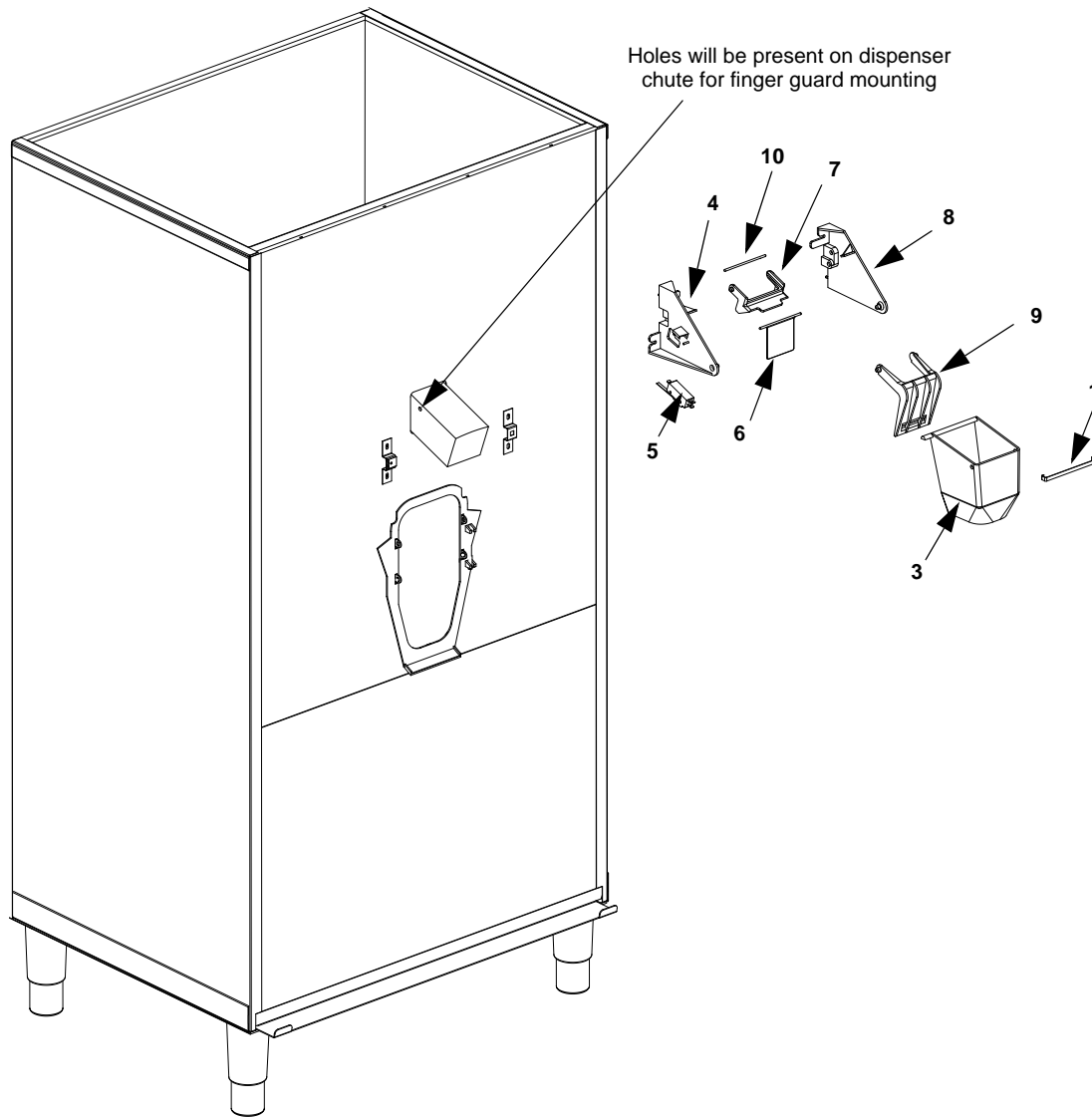
ROCKING CHUTE ASSEMBLY

1	Bracket Rocking Chute Outer	5031384	97-5011-3
2	Label "Push For Ice".	5008636	00000243
3	Rocking Chute	5007355	97-5013-3
4	Bracket Rocking Chute Door Left Hand - Kit includes both sides	020002673	97-5014-3
5	Microswitch	1000703	97-5015-3
6	Door Finger Guard	5011788	00000220
7	Retainer Guard.	5011956	00000221
8	Retainer Door.	5008112	97-5018-3
9	Screw #8-32 x 1/2" Knurl w/o Slot	5008402	00000222
10	Lock Rocking Chute Door	5002509	97-5020-3
11	Bracket Rocking Chute Door Right Hand - Kit includes both sides	020002673	97-5021-3
12	Door Rocking Chute.	5002508	97-5022-3

Updated: 4/09

† Refer to Cross Reference Guide

**SPA-310, SRA-340, SFA-291, SCA-330 ROCKING CHUTE ASSEMBLY
AFTER SERIAL NUMBER 610065954**



Holes will be present on dispenser chute for finger guard mounting

DESCRIPTION

PART NO.

ROCKING CHUTE ASSEMBLY

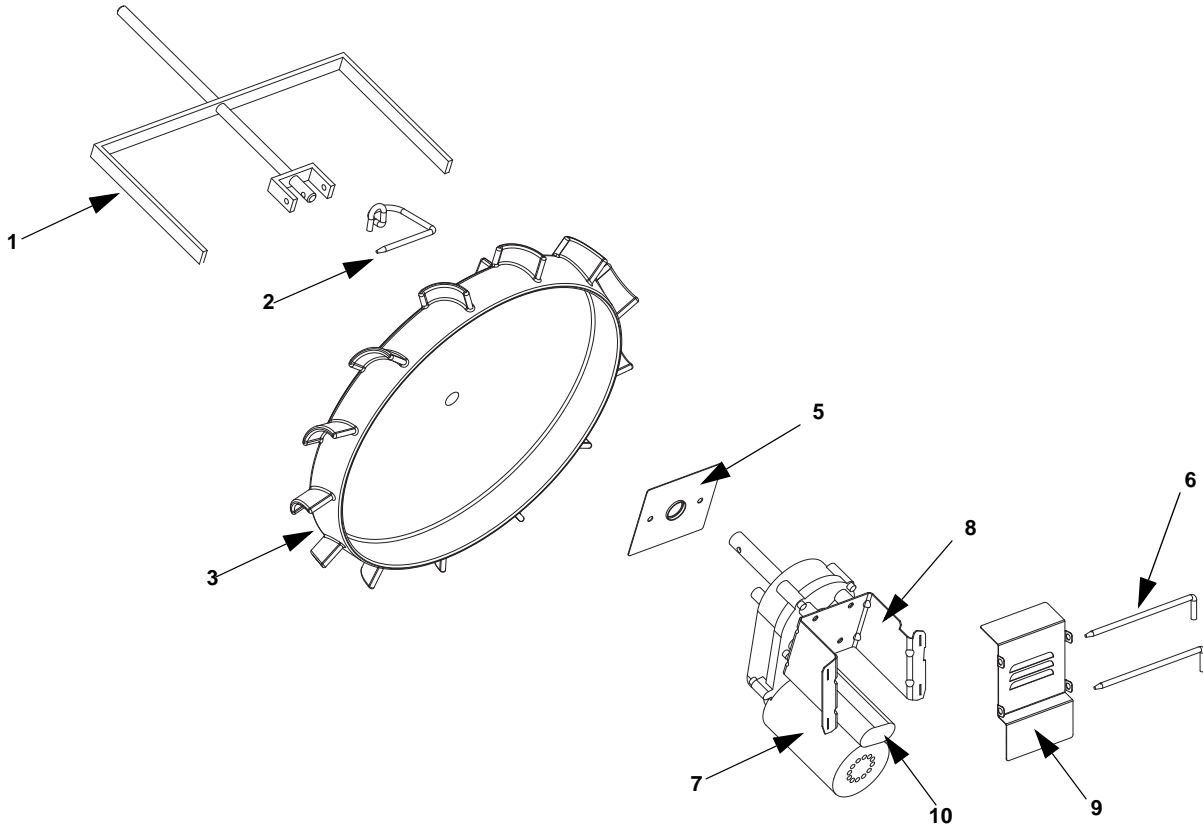
	New Part	Old Part
1 Bracket Rocking Chute Outer	5031384	97-5011-3
2 Label "Push For Ice"	5008636	000000243
3 Rocking Chute	5007355	97-5013-3
4 Bracket Rocking Chute Door Left Hand - Kit includes both sides	020002673	97-5014-3
5 Microswitch	1000703	97-5015-3
6 Door Finger Guard	020002334	NA
7 Lock Rocking Chute Door	5002509	97-5020-3
8 Bracket Rocking Chute Door Right Hand - Kit includes both sides	020002673	97-5021-3
9 Door Rocking Chute	5002508	97-5022-3
10 Door Rod	020002389	NA

Updated: 4/09

† Refer to Cross Reference Guide

SPA-310, SRA-340, SFA-291, SCA-330 PADDLE WHEEL ASSEMBLY

Before Serial Number 610050961



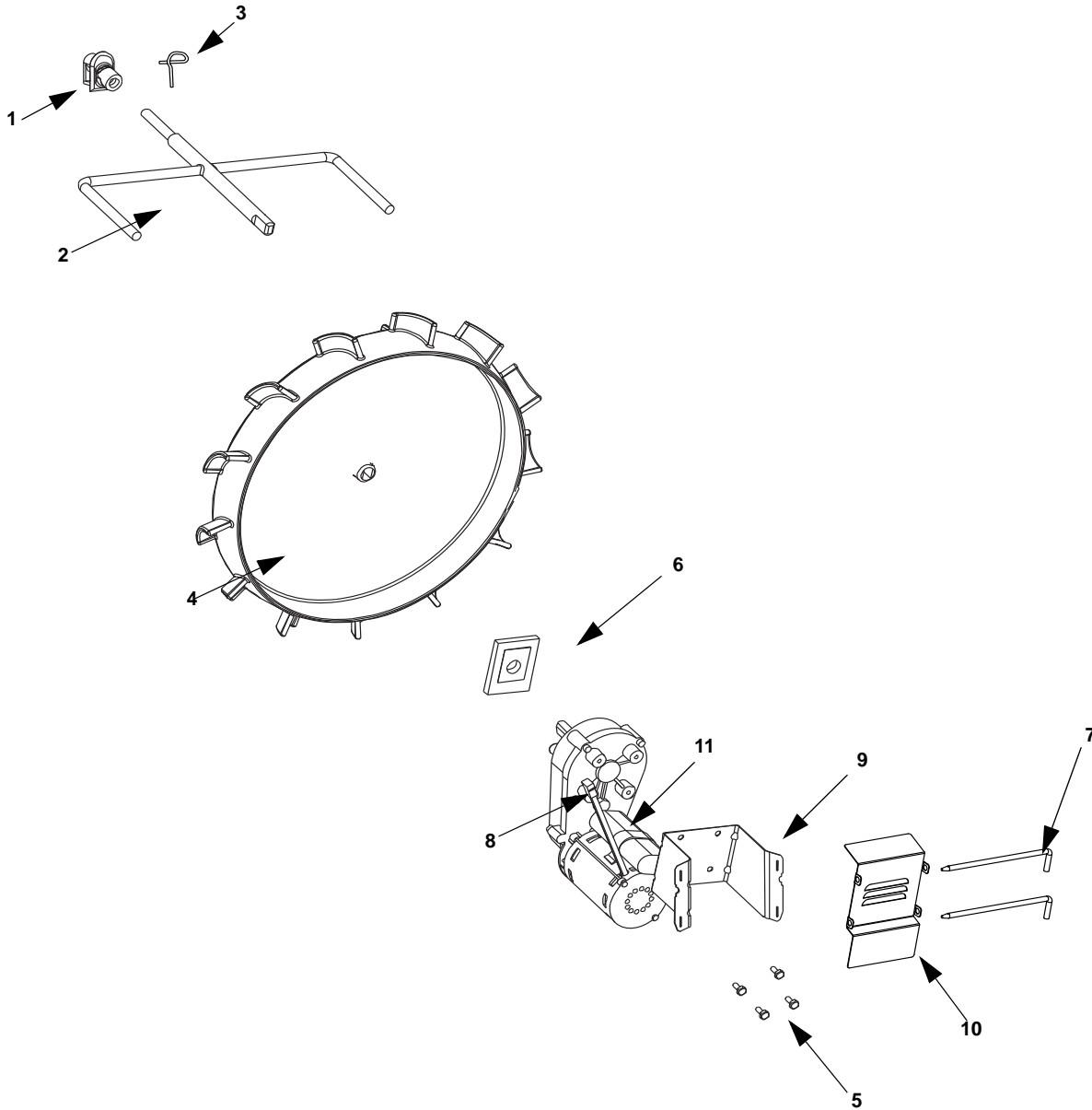
DESCRIPTION

PART NO.

	New Part	Old Part
1 Agitator	5009560	97-5037-3
2 Pin 9.75 SS Agitator Removal	5010452	00000237
3 Paddle Wheel	2601415	00000238
4 Bolt 1/4 -20 x 5/8" SS HHCS	0900601	97-5040-3
5 Motor Insulator	5030254	00000239
6 Pin Retaining	4140023	97-5043-3
7 Motor/Reducer AO-62 (115V/60 Hz)	5000868	97-5044-3
7a Motor/Reducer AO-62 (220/240V, 50/60 Hz)	5000869	97-5055-3
8 Motor Mount	5001776	97-5045-3
9 Gearbox Shield	No Longer Available	
10 Capacitor 4 MF 440 VAC	5008398	97-5058-3
10a Capacitor 120V	5008877	97-5061-3
11 Mushroom Bushing (not shown)	0101702	97-5036-3

SPA-310, SRA-340, SFA-291, SCA-330 PADDLE WHEEL ASSEMBLY

After Serial Number 610050961



DESCRIPTION

PART NO.

1	Mushroom Bushing.....	020001418
2	Agitator.....	020001419
3	Pin 9.75 SS Agitator Removal.....	020002668
4	Paddle Wheel.....	020001423
5	Bolt 1/4 -20 x 5/8" SS HHCS.....	0900601
6	Motor Insulator.....	020001424
7	Pin Retaining.....	41-4002-3
8	Motor/Reducer AO-62	
	a. 115V/60 Hz.....	020001417
	b. 220-240V/50-60 Hz.....	020001517
9	Motor Mount.....	50-0177-6
10	Gearbox Shield.....	No Longer Available
11	Capacitor	
	a. 115v.....	020002950
	b. 230v.....	020002951

