



Ice Machine Parts List for Series S 22" Dispensers Models

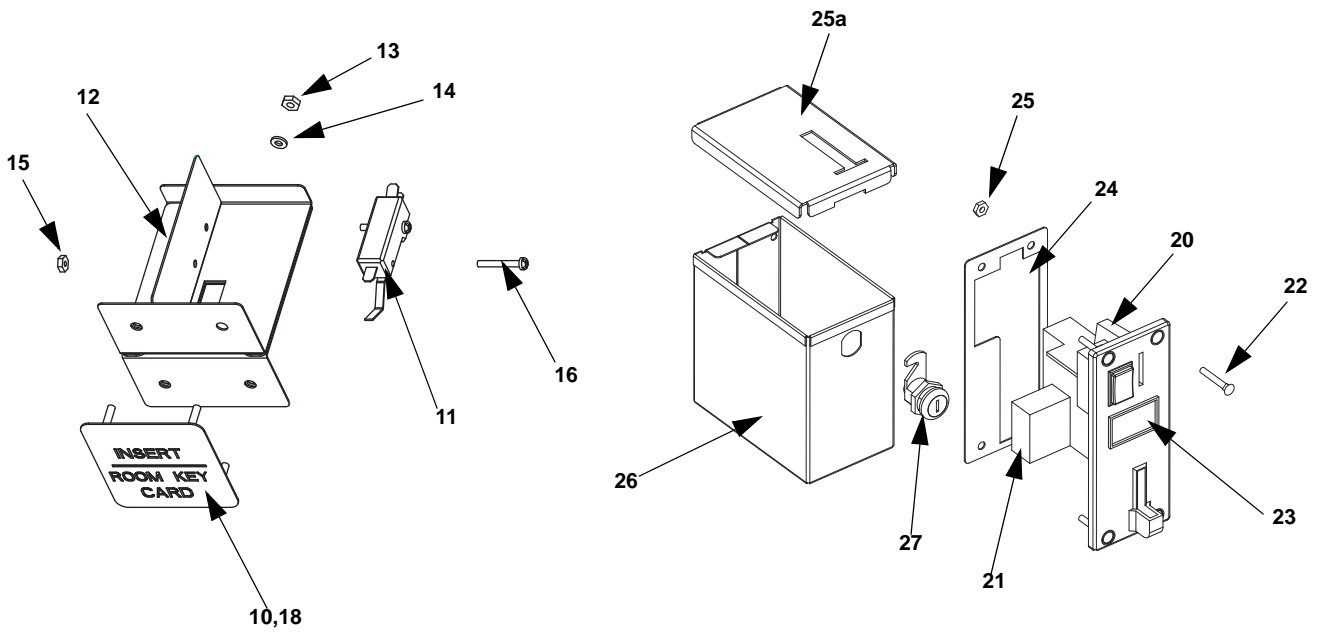
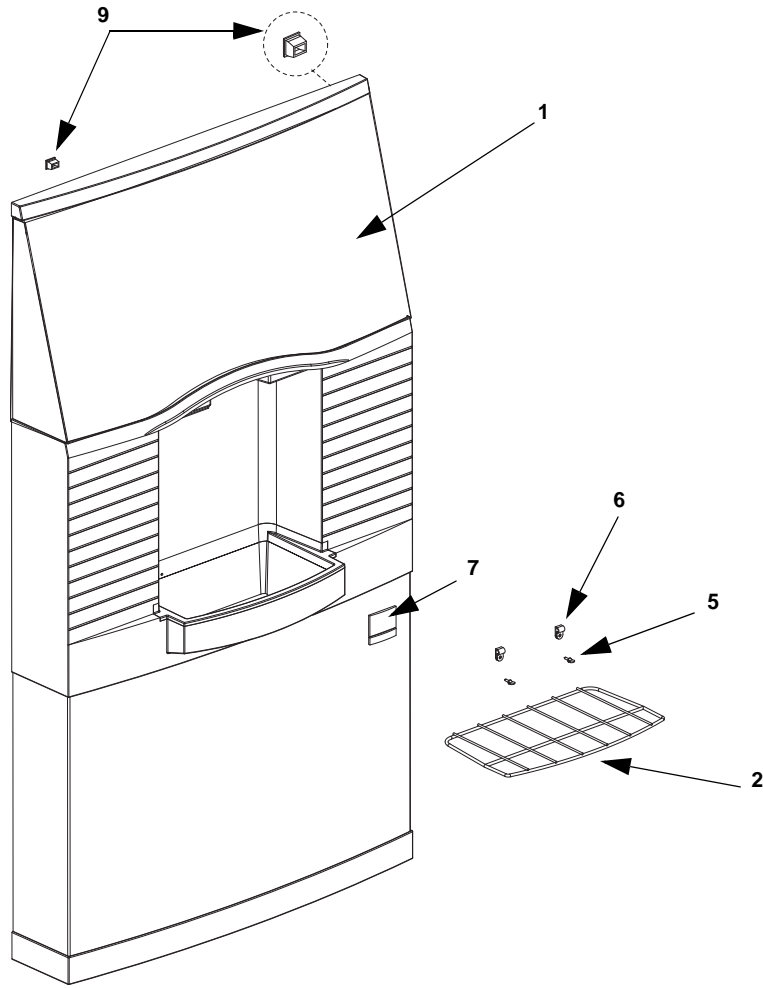
SPA-160

SRA-164

SCA-163

SFA-191

SPA-160, SRA-164, SCA-163, SFA-191 DOOR ASSEMBLY

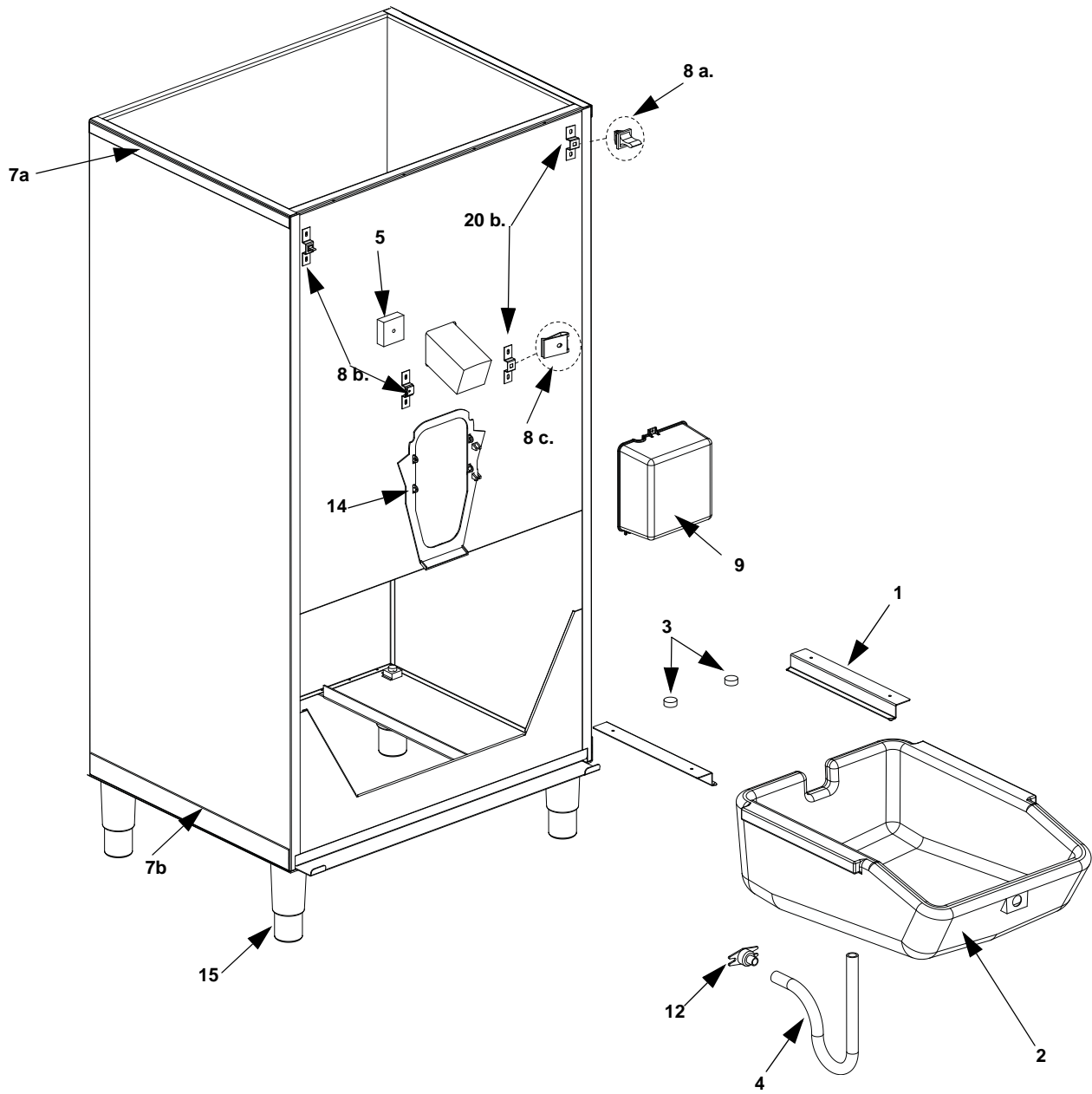


SPA-160, SRA-164, SCA-163, SFA-191 DOOR ASSEMBLY, CONTINUED

DESCRIPTION			PART NO.
		New Part	Old Part
1	Main Door Assembly		
	a. SPA-160 Rocking Chute	5030394	000000202
	b. SCA-163 Coin Chute	5030875	000000204
	c. SRA-164 Room Card	5030876	000000205
	d. SFA-191 Push Button Glass Fill	5030877	000000203
	e. Upper Door Panel	5030238	000000241
	f. Lower Door Panel	5030237	000000242
2	Wire Grill	5029519	000000208
3	Water Fill Valve (not shown)	202-FN-SLB-B	000000209
	a. Bracket Water Fill Valve	5011281	000000210
	b. Arm	516-06	000000558
	c. Lever Retainer Clip	517-00	000001024
	d. Water Inlet Fitting	13-6096-1	
	e. Water Inlet Wing Adapter	87-0609-3	
4	Wiring Harness		
	a. 115V	5029448	000000213
	b. 220V	5029447	000000214
SPA-160, SRA-164, SFA-191, Miscellaneous – Brackets, Screws, etc.			
5	Thumbscrew 8 x 1/2" type A	5008075	97-5008-3
6	Clamp 1/4" Grid Black	5007667	97-5009-3
7	Label Manitowoc Logo	same	81-3001-3
	a. Snowflake Logo	same	81-3000-3
8	Carton Assembly (without pallet)	5008131	97-5064-3
	a. Carton Pallet	5008132	
9	Door Attachment Fastener Latch	00217721	000000211
SRA-164			
10	Plate Front	5008217	97-5080-3
11	Switch	5008269	97-5081-3
12	Bracket	5008270	97-5082-3
13	Nut 8-32 Hex SS	0902103	97-5083-3
14	Washer Star #8 SS	0901915	97-5084-3
15	Nut 6-32 Kept HH SS	88000087	97-5085-3
16	Screw 6-32 x 1" SS PH RH MS	0900901	97-5086-3
17	Wiring Harness (not shown)	5008594	000000212
18	Insert Card Label	5008455	97-5088-3
19	Wiring Diagram Label (SRA-164) (not shown)		
	a. 115V	5029412	000000228
	b. 220/240V	5029428	000000255
SCA-163			
20	Coin Mechanism with Microswitch	5008313	97-5056-3
21	Timer, Coin Mechanism 115V	5008325	97-5057-3
	Timer, Coin Mechanism 230V	5009453	97-5060-3
22	Bolt Carriage 8-32 x 1" Black	5008370	97-5078-3
23	Coin Mechanism Label	5009899	97-5076-3
24	Plate	5008379	97-5077-3
25	Nut Kept 42	00201803	97-5074-3
26	Coin Box	5030562	000000215
	a. Coin Box Cover	5030561	000000216
27	Box Lock	same	97-5073-3

† Refer to Cross Reference Guide

SPA-160, SRA-164, SFA-291, SCA-163, SFA-191 CABINET ASSEMBLY

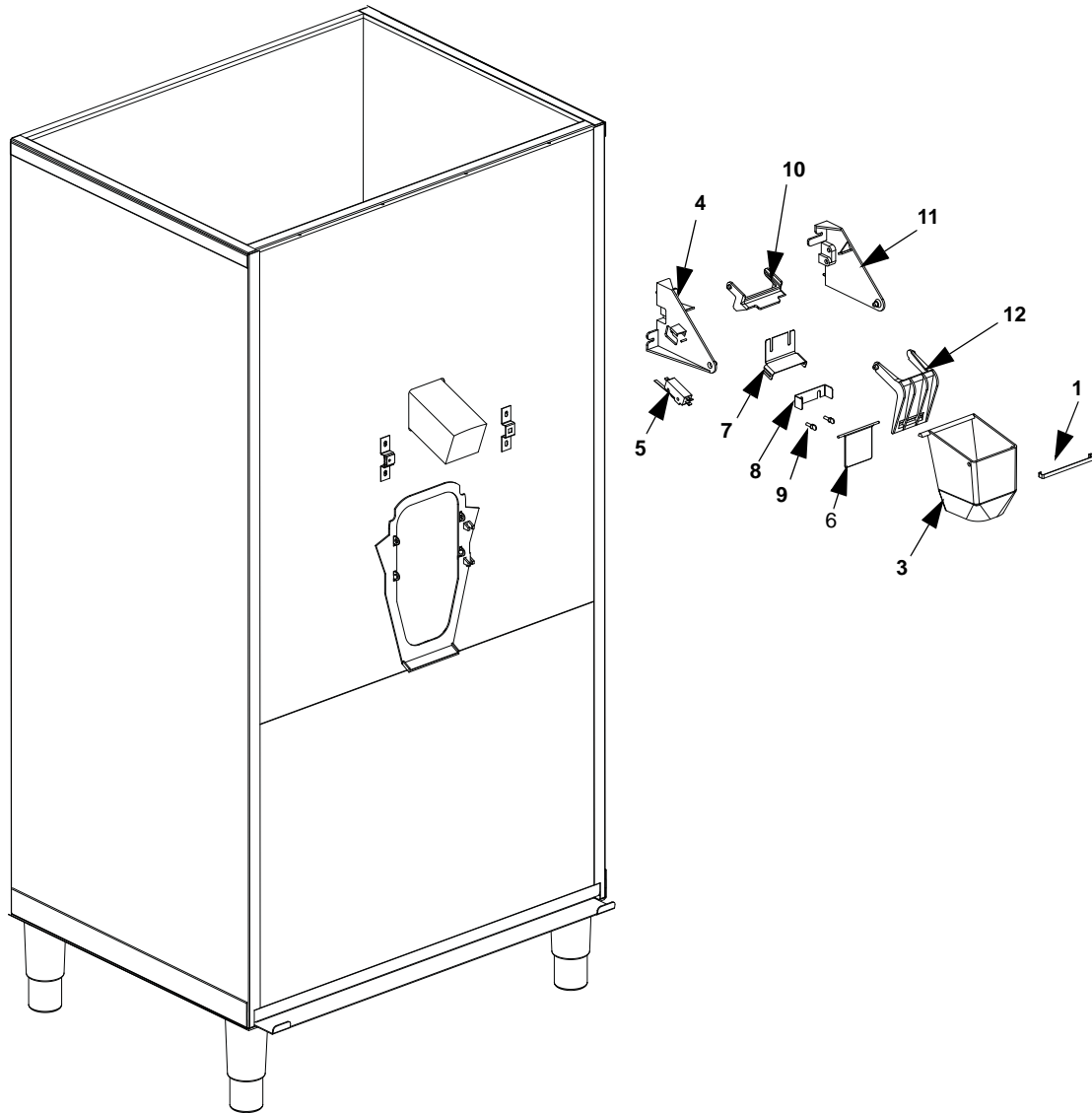


SPA-160, SRA-164, SCA-163, SFA-191 CABINET ASSEMBLY, CONTINUED

DESCRIPTION		PART NO.	
		New Part	Old Part
SPA-160, SRA-164, SFA-191, SCA-163 Drain Pan Assembly			
1	Bracket Drainpan Support	5029691	000000223
2	Drain Pan Assembly.....	5029307	000000225
3	Drain Pan Stops	5014120	NA
4	Tubing Drain w/Insulation.....	5010341	000000226
	a. Drain Strainer	5013878	NA
SPA-160, SRA-164, SFA-191, SCA-163 Electrical			
5	Timer Agitation	020000222	020000222
6	Label Wiring Diagram.....	5029412	000000228
SPA-160, SRA-164, SFA-191, SCA-163 Miscellaneous – Brackets, Screws, etc.			
7	Trim Decorative		
	a. Top	5029523	000000229
	b. Bottom.....	5029522	000000256
8	Front Door Attachment		
	a. Fastener Strike	00217722	000000230
	b. Bracket Strike	5029694	000000231
	c. Clip	0900240	000000232
9	Cover Electrical Box.....	5008116	97-5052-3
10	Box RC Electrical	5008115	97-5053-3
11	Cord Electrical (not shown)	5008642	000000244
12	Fitting 1/2" Brass	same	87-0608-3
13	Baffle (not shown)	same	K00348
14	Motor Pin Retaining Bracket	5010220	† 97-5065-9
15	Legs	5030236	000000236

† Refer to Cross Reference Guide

**SPA-160, SRA-164, SFA-291, SCA-163, SFA-191 ROCKING CHUTE ASSEMBLY
BEFORE SERIAL NUMBER 610065166**



DESCRIPTION

PART NO.

New Part

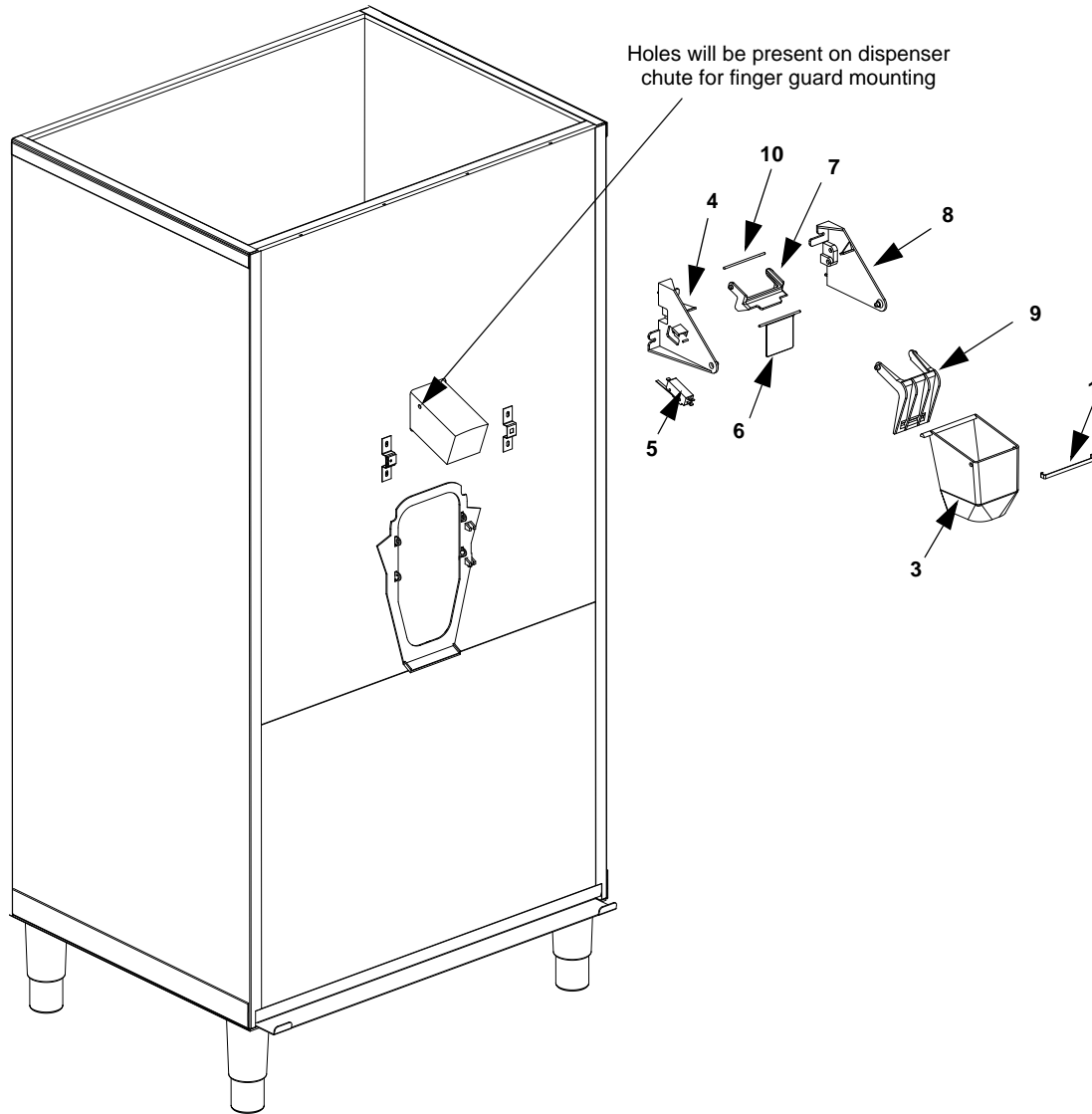
Old Part

ROCKING CHUTE ASSEMBLY

1	Bracket Rocking Chute Outer	5031384	95-5011-3
2	Label "Push For Ice"	5008636	00000243
3	Rocking Chute	5007355	97-5013-3
4	Bracket Rocking Chute Door Left Hand - Kit includes both sides	020002673	97-5014-3
5	Microswitch	1000703	97-5015-3
6	Door Finger Guard	5011788	00000220
7	Retainer Guard	5007662	97-5017-3
8	Retainer Door	5008112	97-5018-3
9	Screw #8-32 x 1/2" Knurl w/o Slot	5008402	00000222
10	Lock Rocking Chute Door	5002509	97-5020-3
11	Bracket Rocking Chute Door Right Hand - Kit includes both sides	020002673	97-5021-3
12	Door Rocking Chute	5002508	97-5022-3

† Refer to Cross Reference Guide

**SPA-160, SRA-164, SFA-291, SCA-163, SFA-191 ROCKING CHUTE ASSEMBLY
AFTER SERIAL NUMBER 610065166**



DESCRIPTION

PART NO.

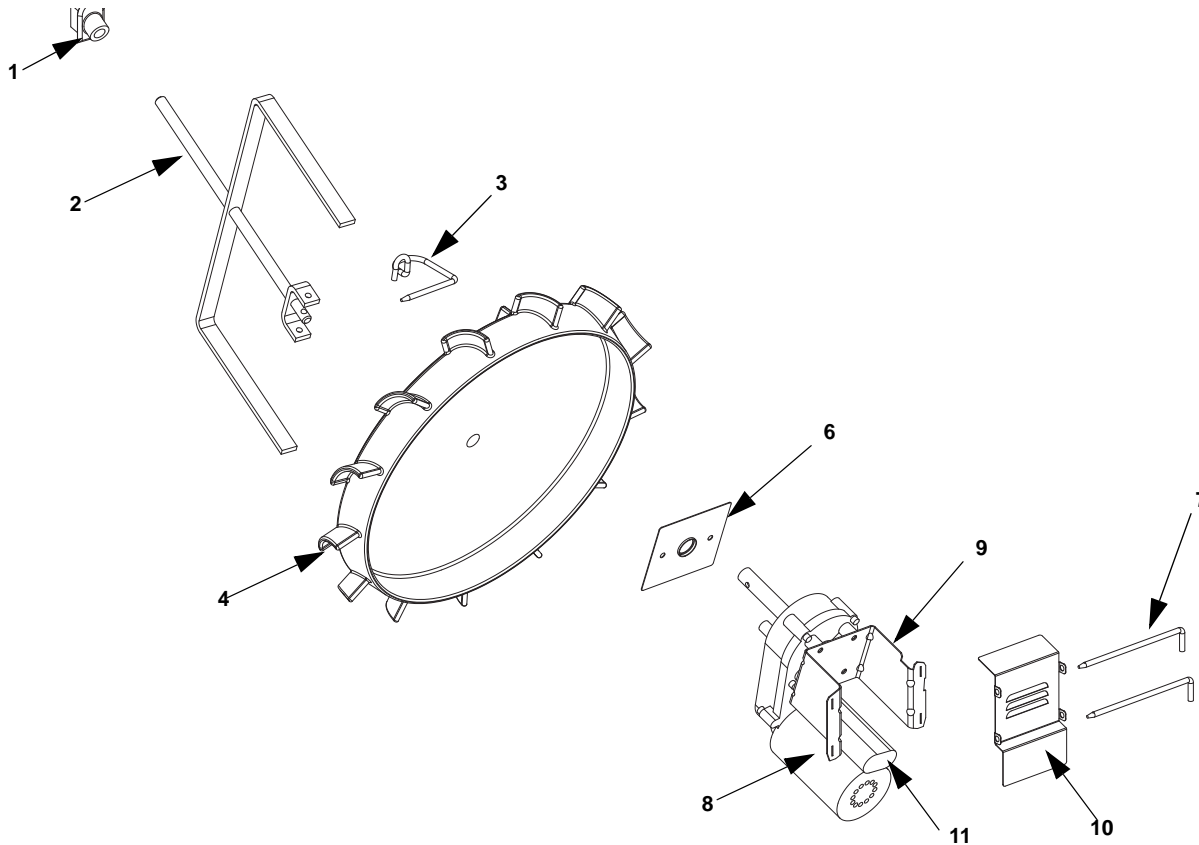
ROCKING CHUTE ASSEMBLY

		New Part	Old Part
1	Bracket Rocking Chute Outer	5031384	95-5011-3
2	Label "Push For Ice".	5008636	00000243
3	Rocking Chute	5007355	97-5013-3
4	Bracket Rocking Chute Door Left Hand - Kit includes both sides	020002673	97-5014-3
5	Microswitch	1000703	97-5015-3
6	Door Finger Guard	020002334	NA
7	Lock Rocking Chute Door	5002509	97-5020-3
8	Bracket Rocking Chute Door Right Hand - Kit includes both sides	020002673	97-5021-3
9	Door Rocking Chute.	5002508	97-5022-3
10	Door Rod	020002389	NA

† Refer to Cross Reference Guide

SPA-160, SRA-164, SFA-291, SCA-163, SFA-191 PADDLE WHEEL ASSEMBLY

Before Serial Number 610050366



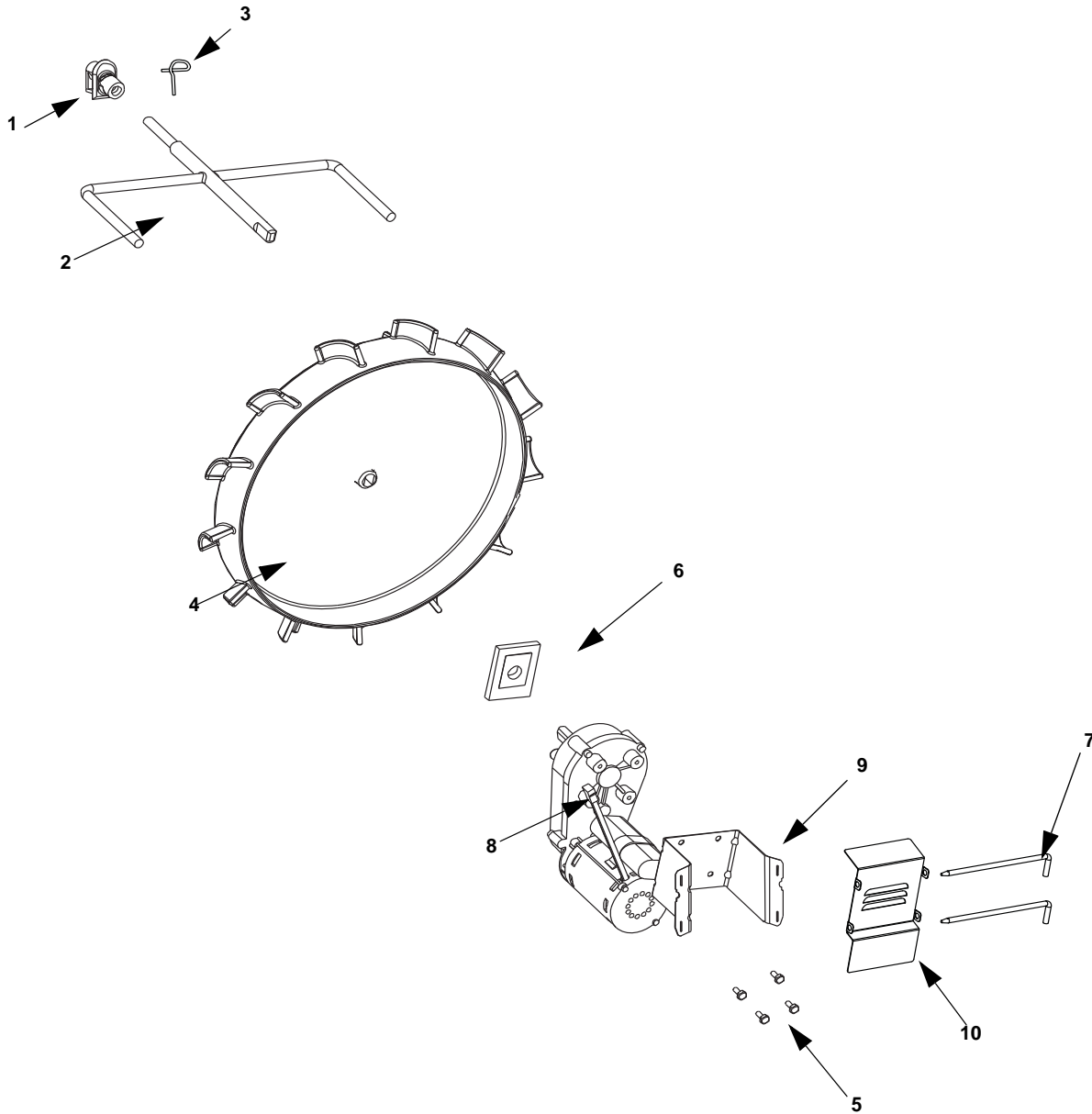
DESCRIPTION

PART NO.

		New Part	Old Part
1	Mushroom Bushing	0101702	97-5036-3
2	Agitator	5009529	97-5054-9
3	Pin 9.75 SS Agitator Removal	5010452	000000237
4	Paddle Wheel	2601415	000000238
5	Bolt 1/4 -20 x 5/8" SS HHCS	0900601	97-5040-3
6	Motor Insulator	5030254	000000239
7	Pin Retaining	4140023	97-5043-3
8	Motor/Reducer AO-62		
	a. 115V/60 Hz	5000868	97-5044-3
	b. 220-240V/50-60 Hz	5000869	97-5055-3
9	Motor Mount	5001776	97-5045-3
10	Gearbox Shield	No Longer Available	
11	Capacitor 4MFD 440 VAC	50-0839-8	97-5058-3
	a. Capacitor 120V	5008877	97-5061-3

SPA-160, SRA-164, SFA-291, SCA-163, SFA-191 PADDLE WHEEL ASSEMBLY

After Serial Number 610050366



DESCRIPTION

PART NO.

1	Mushroom Bushing	020001418
2	Agitator	020001420
3	Pin 9.75 SS Agitator Removal	020002668
4	Paddle Wheel	020001423
5	Bolt 1/4 -20 x 5/8" SS HHCS	0900601
6	Motor Insulator	020001424
7	Pin Retaining	41-4002-3
8	Motor/Reducer AO-62	
	a. 115V/60 Hz	020001417
	b. 220-240V/50-60 Hz.	020001517
9	Motor Mount	50-0177-6
10	Gearbox Shield	No Longer Available