



## **Ice Machine Parts List for Series S850 Models**

**SD0852A**

**SY0854A**

**SD0853W**

**SY0855W**

**SD0892N**

**SY0894N**

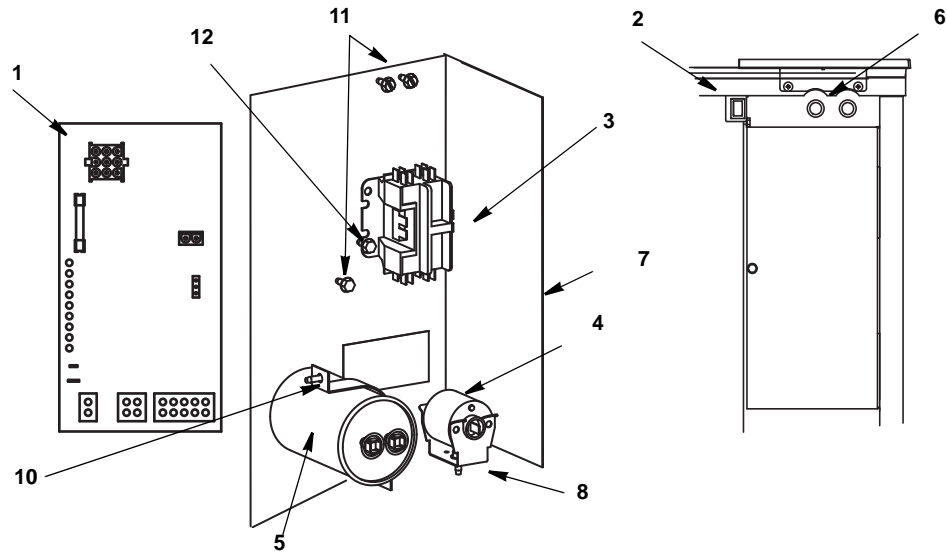
**SR0850A**

**JC0895**

**SR0851W**

**SR0890N**

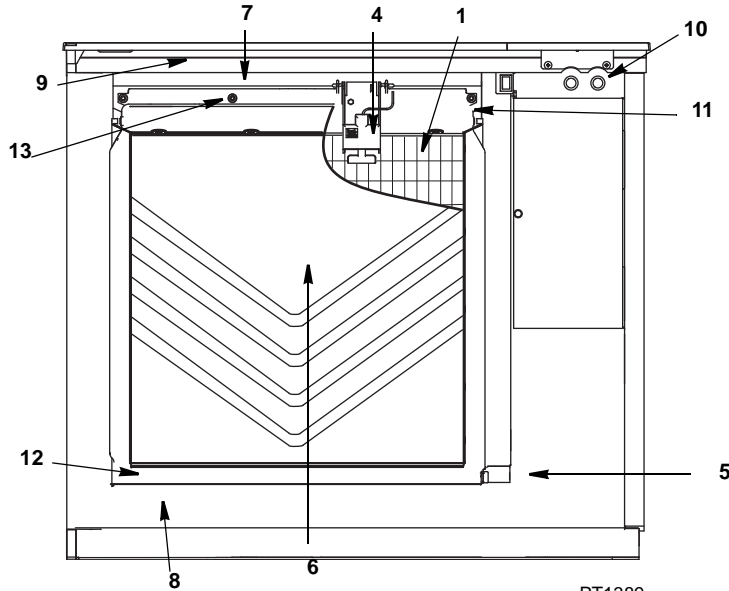
# S850 CONTROL BOX



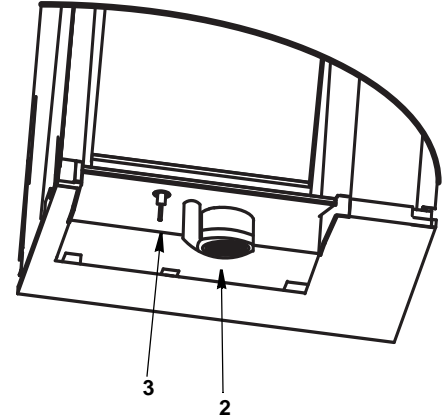
PT1388

1	Control Board (for use with all voltages) . . . . .	20-0619-9
	a. 7 Amp Fuse – Mounted on Control Board . . . . .	25-1100-3
2	<b>Toggle Switch</b> Only . . . . .	20-0793-9
	a. Toggle Switch Wiring Harness . . . . .	20-0807-9
	b. Toggle Switch Box . . . . .	40-1163-9
3	<b>Contactor</b>	
	a. 208-230V/60 Hz/1 Ph or 230V/50 Hz/1 Ph . . . . .	20-0659-9
	b. 208-230V/60 Hz/3 Ph . . . . .	20-0661-9
4	P.T.C.R. Compressor Starter . . . . .	85-0499-3
5	Compressor Run Capacitor 208-230V/50/60 Hz/1 Ph) . . . . .	85-0393-3
6	Refrigeration Service Valve Assembly . . . . .	83-7326-3
<b>Miscellaneous – Brackets, Screws, etc.</b>		
7	Control Box . . . . .	76-0214-3
	a. Control Box Cover (Not shown) . . . . .	76-0215-3
8	P.T.C.R. Compressor Starter Mounting Bracket . . . . .	85-0501-3
9	Control Board Mounting Supports (Not shown) . . . . .	43-0225-3
10	Capacitor Mounting Strap . . . . .	602495-3
11	Screw, #10-24 x .50 Ground . . . . .	52-0216-9
	a. Star Washer . . . . .	55-7320-9
12	Screw, #10-24 x .50 . . . . .	52-0206-9
13	Control Box Wiring Harness (Not shown)	
	a. 230/60/1 . . . . .	20-0734-9
	b. 230/60/3 . . . . .	20-0736-9
	c. 230/50/1 . . . . .	20-0735-9

## S850 EVAPORATOR COMPARTMENT



PT1389

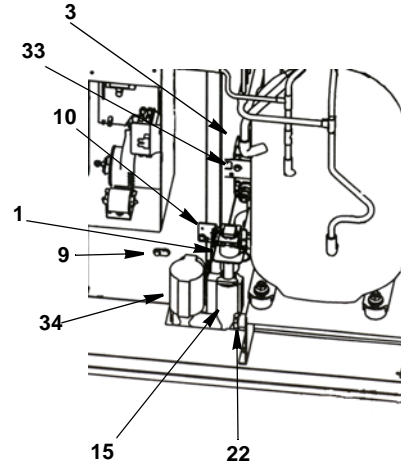
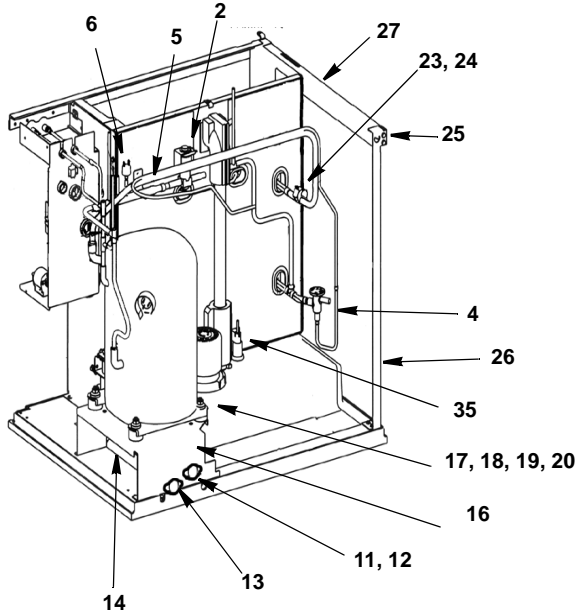


PT1390

### DESCRIPTION

	PART NO.
<b>1 Evaporator Assembly</b>	
a. Dice Cube . . . . .	76-0216-3
b. Half Dice Cube . . . . .	76-0217-3
c. Regular Cube . . . . .	76-0218-3
<b>2 Water Pump</b>	
a. 230V/60 Hz 1/3PH . . . . .	82-5113-9
b. 230/50/1 . . . . .	82-5270-9
<b>3 Water Level Probe</b> . . . . .	20-0654-9
a. Wire, control box to probe. . . . .	20-0798-9
<b>4 Ice Thickness Control Probe</b> . . . . .	20-0802-9
<b>5 Magnetic Bin Switch</b> . . . . .	20-0681-9
<b>6 Water Curtain</b> . . . . .	40-1098-9
<b>7 Water Distribution Assembly</b> . . . . .	76-0219-3
a. O-Rings (Back of Distribution Assembly) . . . . .	50-0464-9
<b>8 Water Trough</b> . . . . .	40-0360-9
<b>9 Evaporator Top Filler Panel</b> . . . . .	40-0846-9
a. Stainless Steel Clamp . . . . .	606333-9
b. Clamp Screw . . . . .	52-0209-3
<b>10 Access Valve</b> . . . . .	83-7326-3
<b>11 Evaporator Top Frame Assembly</b> . . . . .	76-0220-3
<b>12 Water Diverter</b> . . . . .	76-0221-3
a. Thumbscrew . . . . .	53-0512-3
<b>Miscellaneous – Brackets, Screws, etc.</b>	
<b>13 Screw, (Water Distribution Tube Mounting) Each</b> . . . . .	50-0479-9
a. O-Ring . . . . .	50-0462-9
<b>14 Screw, #12-16 x .687 (Used to Mount Evaporator) Each</b> . . . . .	50-0461-9
<b>15 Water Pump Base O-Ring</b> . . . . .	50-0465-9
<b>16 Water Pump Outlet O-Ring</b> . . . . .	50-0467-9
<b>17 Vinyl Tubing 0.625 ID (dump valve to drain adapter)</b> . . . . .	000001382
a. Insulation . . . . .	603883-1

## S850 REFRIGERATION COMPARTMENT – COMMON PARTS



### DESCRIPTION

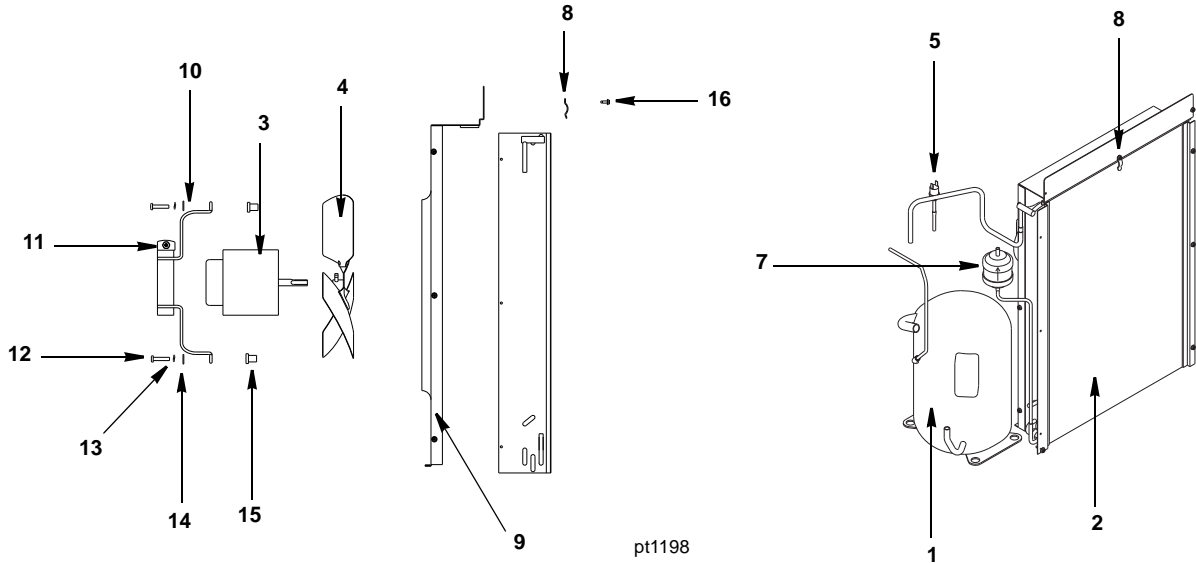
### PART NO.

1	Water Dump Valve	
	a. Dump Valve, 208-230V/50-60 Hz	000001768
	b. Dump Valve Rebuild Kit	No Longer Available
2	<b>Harvest Valve</b>	
	a. Harvest Valve Including 208/230V 50/60 Hz Electrical Coil	76-3012-1
	b. Harvest Valve 208/230V 50/60 Hz Coil Only Alco	† 24-0448-3
	c. Harvest Valve 208/230V Coil Only Danfoss	000005157
3	<b>Water Inlet Valve</b>	
	a. Water Inlet Valve Including 208-230V/50/60 Hz Coil	000007966
4	<b>Expansion Valve</b>	76-0225-3
	a. Expansion Valve Body Insulation Boot	40-0036-3
	b. Expansion Valve Bulb Insulation Boot	40-0720-3
5	Manifold Strainer (in front of hot gas valve)	82-5104-9
6	High Pressure Cut-out (Auto Reset)	20-0124-3
7	<b>Electrical Box on Rear of Ice Machine</b>	
	a. Box	Included in Back Panel Assembly
	b. Terminal Block 3 Pole	20-0614-3
	c. Groundscrew #10-24 x .50	52-0216-9
8	<b>Compressor Compartment Wiring Harness</b>	
	a. Water	20-0732-9
	b. Air	20-0731-9
	c. Remote	20-0733-9
9	Bin Switch	20-0681-9

**Miscellaneous – Brackets, Screws, etc.**

10	Dump Valve Mounting Bracket . . . . .	605845-9
11	Water Inlet Valve Wing Adapter . . . . .	87-0609-3
12	Water Inlet Valve Wing Adapter Plastic Fitting . . . . .	13-6096-1
13	Water Drain Female Wing Adapter . . . . .	87-0608-3
14	Water Drain Clear Tubing, .625 ID x 12 inches . . . . .	44-2038-3
15	Dump Valve Tubing (3.25 inches) . . . . .	44-2038-3
16	Compressor Mounting Base . . . . .	606170-9
17	Compressor Mounting Rubber Grommet . . . . . †	85-0306-9
18	Compressor Mounting Sleeve . . . . .	85-0394-9
19	Compressor Mounting Bolt . . . . .	50-0481-9
20	Compressor Mounting Nut . . . . .	50-0482-9
21	Compressor Wiring Harness (Not Shown) . . . . .	20-0623-9
22	Clamp, Water Drain . . . . .	56-5070-9
23	Clamp, Expansion Valve Bulb . . . . .	56-5052-9
24	Copper Bulb Strap . . . . .	30-0050-3
25	Screw, #10-24 x .50 . . . . .	52-0206-9
26	Left Corner Post . . . . .	606865-9
27	Left Top Channel . . . . .	606864-9
28	Right Corner Post (Not Shown) . . . . .	606177-9
29	Right Top Channel (Not Shown) . . . . .	606257-9
30	Insulated Tube (vinyl tubing from distribution tube to water pump & dump valve) . . . . .	000003406
	a. Clamp .859/.989 ID . . . . .	56-5060-3
	b. Clamp .799/.899 ID . . . . .	56-5070-3
31	Water Inlet Valve Tubing (Not Shown) . . . . .	40-1043-9
32	Connector (Water inlet valve) . . . . .	13-6098-9
33	Water Inlet Valve Bracket . . . . .	605845-9
34	<b>Check Valve Replacement</b> (includes water diverter, vinyl tubing & insulation) . . . . .	000002473
35	Holder, Water Level Probe . . . . .	20-0655-9
	a. Screw (mounts Water Level Probe Holder) . . . . .	52-0209-9

# S850 REFRIGERATION COMPARTMENT – AIR-COOLED



## DESCRIPTION

### 1 Compressor (After Serial Number 110683282)

a. 208-230V/60 Hz/1 Ph	000001736
b. 208-230V/60 Hz/3 Ph	000001737
c. 230V/50 Hz/1 Ph	000001738

### 1 Compressor (Before Serial Number 110683282)

a. 208-230V/60 Hz/1 Ph	76-0222-3
b. 208-230V/60 Hz/3 Ph	76-0223-3
c. 230V/50 Hz/1 Ph	76-0224-3

2 Air Condenser	82-5239-9
-----------------	-----------

3 Fan Motor (208-230V/60 Hz or 230V/50 Hz)	76-2672-3
--	-----------

4 Fan Blade	24-1612-3
-------------	-----------

5 Fan Cycling Control	† 20-0126-3
-----------------------	-------------

6 Air Filter (Not shown)	30-0555-9
--------------------------	-----------

7 Drier	89-3025-9
---------	-----------

### Miscellaneous – Brackets, Screws, etc.

8 Air Filter Clip	† 56-5069-9
-------------------	-------------

9 Fan Shroud	605811-9
--------------	----------

10 Fan Motor Mounting Bracket	30-0684-3
-------------------------------	-----------

11 Fan Motor Mounting Screw	† 50-3358-9
-----------------------------	-------------

a. Fan Motor Mounting Lockwasher	† 55-4510-9
----------------------------------	-------------

b. Fan Motor Mounting Hexnut	† 54-2952-9
------------------------------	-------------

12 Fan Bracket Mounting Screw	50-3238-9
-------------------------------	-----------

13 Fan Bracket Mounting Lockwasher	† 55-4510-9
------------------------------------	-------------

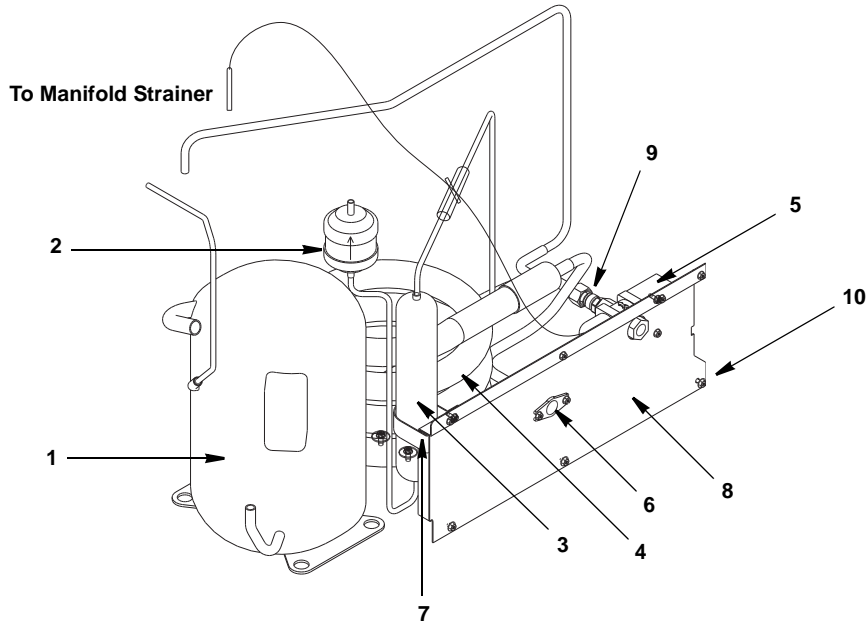
14 Fan Bracket Mounting Flatwasher	† 55-7305-9
------------------------------------	-------------

15 Fan Bracket Mounting Rubber Wellnut	† 54-2955-9
--	-------------

16 Screw, #10-24 x .50	† 52-0206-9
------------------------	-------------

† Refer to Cross Reference Guide

# S850 REFRIGERATION COMPARTMENT – WATER-COOLED



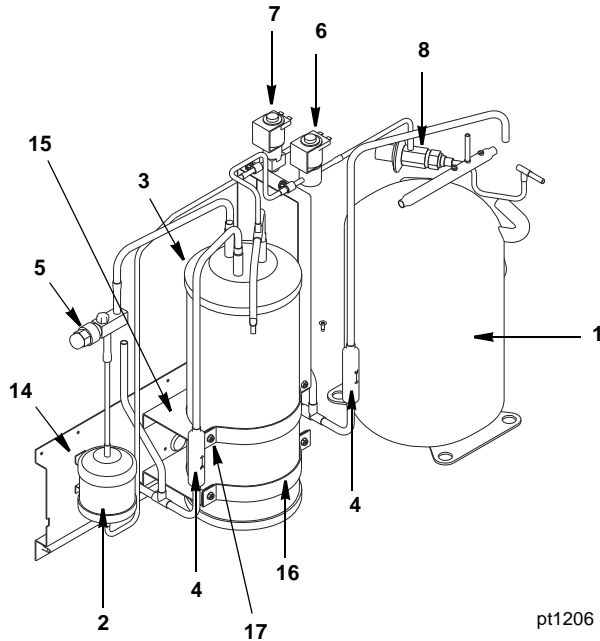
pt1200

## DESCRIPTION

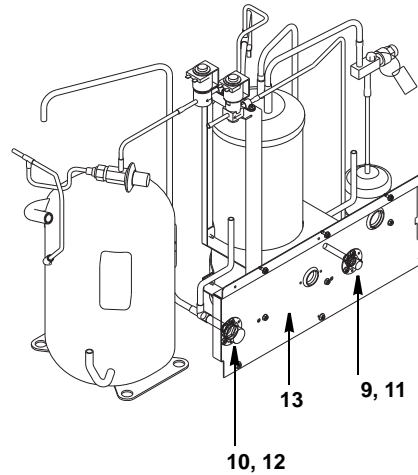
	PART NO.
<b>1 Compressor (After Serial Number 110683282)</b>	
a. 208-230V/60 Hz/1 Ph . . . . .	000001736
b. 208-230V/60 Hz/3 Ph . . . . .	000001737
c. 230V/50 Hz/1 Ph . . . . .	000001738
<b>1 Compressor (Before Serial Number 110683282)</b>	
a. 208-230V/60 Hz/1 Ph . . . . .	76-0222-3
b. 208-230V/60 Hz/3 Ph . . . . .	76-0223-3
c. 230V/50 Hz/1 Ph . . . . .	76-0224-3
2 Drier . . . . .	89-3025-9
3 Receiver . . . . .	89-0012-3
4 Water-Cooled Condenser . . . . .	† 000001507
5 Water Regulating Valve . . . . .	83-7206-9
6 Water Drain Female Wing Adapter . . . . .	87-0608-3
<b>Miscellaneous – Brackets, Screws, etc.</b>	
7 Receiver Strap . . . . .	600054-1
8 Back Panel . . . . .	606173-9
9 Elbow .50 MF x .375 MPT . . . . .	50-0224-9
10 Screw, #10-24 x .50 . . . . .	52-0206-3
11 Washer . . . . .	55-7341-9
12 Base, Water Condenser/Receiver . . . . .	605865-9

† Refer to Cross Reference Guide

## S850 REFRIGERATION COMPARTMENT – REMOTE



pt1206



pt1207

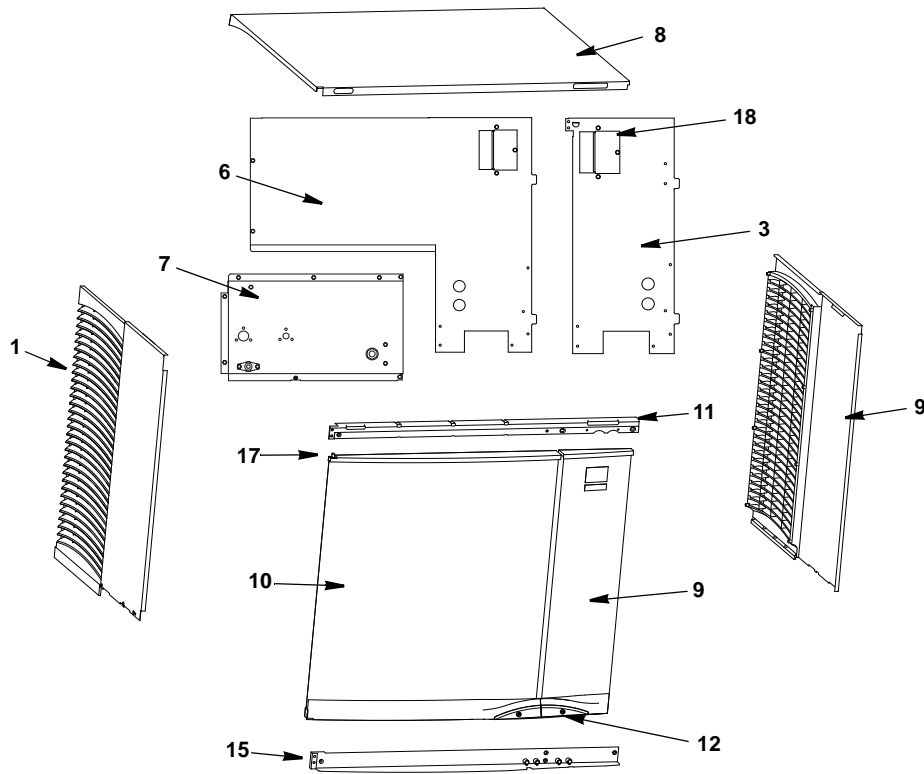
### DESCRIPTION

	<b>PART NO.</b>
<b>1 Compressor (After Serial Number 110682385)</b>	
a. 208-230V/60 Hz/1 Ph .....	000001736
b. 208-230V/60 Hz/3 Ph .....	000001737
c. 230V/50 Hz/1 Ph .....	000001738
<b>1 Compressor (Before Serial Number 110682385)</b>	
a. 208-230V/60 Hz/1 Ph .....	76-0222-3
b. 208-230V/60 Hz/3 Ph .....	76-0223-3
c. 230V/50 Hz/1 Ph .....	76-0224-3
<b>2 Drier</b> .....	89-3027-9
<b>3 Receiver</b> .....	89-0000-9
<b>4 Magni-Check Valve</b> .....	† 83-7314-9
<b>5 Refrigeration Service Valve</b> .....	† 83-7316-9
a. Cap for Refrigeration Service Valve .....	56-5075-9
<b>6 Harvest Pressure Regulating Solenoid (HPR) Valve</b>	
a. HPR Valve Including 208/230V 50/60 Hz Electrical Coil (Danfoss) .....	† 76-3006-1
b. HPR Valve 208/230V 50/60 Hz Coil Only Danfoss .....	000005157
<b>7 Liquid Line Solenoid (LLS) Valve</b>	
a. LLS Valve Including 208/230V 50/60 Hz Electrical Coil (Danfoss) .....	† 76-3008-1
b. LLS Valve 208/230V 50/60 Hz Coil Only Danfoss .....	000005157
<b>8 Harvest Pressure Regulating Valve (HPR)</b> .....	† 83-6779-3
<b>9 Coupling – Male, 5/8-18</b> .....	† 83-6034-3
<b>10 Coupling – Male, 1-1/6-12</b> .....	† 83-6035-3
<b>Miscellaneous – Brackets, Screws, etc.</b>	
<b>11 Coupling Mounting Flange for 5/8-18</b> .....	83-6005-3
<b>12 Coupling Mounting Flange for 1-1/16-12</b> .....	83-6006-3
<b>13 Back Panel</b> .....	606173-9
<b>14 Drier Support Bracket</b> .....	56-5061-9
<b>15 Receiver Mounting Bracket</b> .....	600056-1
<b>16 Receiver Mounting Strap</b> .....	630721-4
<b>17 Screw, #10-24 x .50</b> .....	† 52-0206-9
<b>18 Base (Receiver Mounting)</b> .....	605865-9

† Refer to Cross Reference Guide



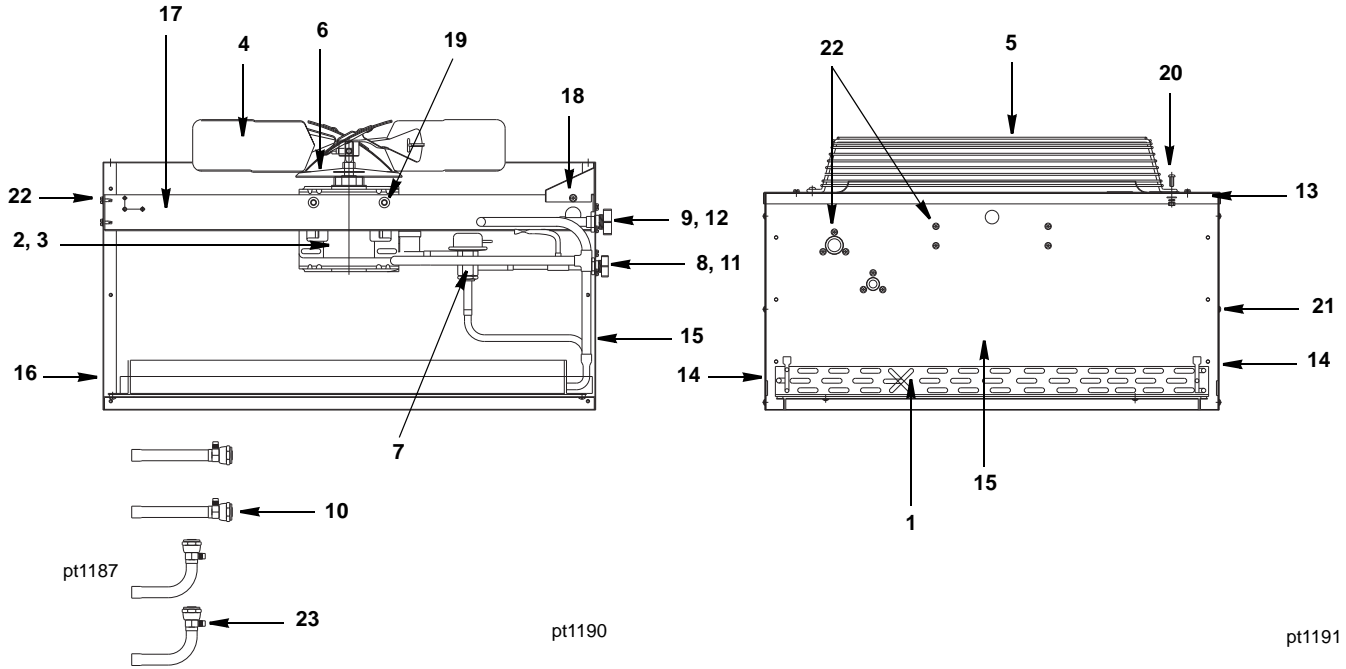
# S850 PANELS



## DESCRIPTION

	<b>PART NO.</b>
1 Left Side Panel .....	606055-9
2 Right Side Panel .....	606054-9
<b>Air-Cooled Back Panels)</b>	
3 Back Panel with Electrical Connection Box, Air-cooled Models .....	606169-9
4 Air Filter (Not Shown) .....	30-0555-9
5 Air Baffle (Not Shown) .....	605971-9
<b>Water-Cooled &amp; Remote Air-Cooled Back Panels)</b>	
6 Back Panel with Electrical Connection Box .....	605864-9
7 Back Coupling Panel, Water Connections .....	606173-9
<b>Aluminum Front Top Support on machine (replace all)</b>	
8 Top Cover .....	000006699
9 Right Door .....	607122-1
10 Left Door .....	607121-1
11 Front Top Support .....	000000295
Mounting Screw Left Side 8-32 x 1 .....	50-0537-9
Mounting Screw Right Side 10-24 x.50 .....	50-0509-9
<b>Plastic Front Top Support on machine (replace as needed)</b>	
8 Top Cover .....	000006699
9 Right Door .....	607122-1
10 Left Door .....	607121-1
11 Front Top Support .....	000000295
Mounting Screw Left Side 8-32 x 1 .....	50-0537-9
Mounting Screw Right Side 10-24 x.50 .....	50-0509-9
<b>Miscellaneous – Brackets, Screws, etc.</b>	
12 Right/Left Door Screw .....	50-0489-9
13 Left Door Endcaps	
a. Top .....	40-1511-3
b. Bottom .....	40-1512-3
14 Right Door Endcaps	
a. Top .....	40-1514-3
b. Bottom .....	40-1515-3
15 Bottom Door Frame .....	76-0226-3
a. Mounting Screw Left Side 8-32 x 1 PHIL .....	50-0537-9
b. Mounting Screw Right Side 10/24 x .50 PHIL .....	52-0209-9
16 Door Catch Bracket (RHD) .....	606236-9
a. Mounting Screw 8-32 x .50 Phil .....	50-2624-9
17 Left Door Pivot Leaf Hinge (Top or Bottom) .....	30-0557-9
a. Mounting Screw 8-32 x 1 PHIL .....	50-0537-9
18 Electrical Connection Box Cover .....	Included in Back Panel Assembly
19 Sachet Holder (inside left door) .....	40-0459-9
a. Screws .....	50-0479-9

# JC0895 REMOTE CONDENSER



## DESCRIPTION

	DESCRIPTION	PART NO.
1	Air Condenser . . . . .	† 88-5062-9
2	Fan Motor (208-230V 50/60 Hz/1 Ph) . . . . .	† 76-2941-3
3	Fan Motor Run Capacitor (Emerson) . . . . .	85-0458-3
3	Fan Motor Run Capacitor (Magnatec) . . . . .	No Longer Available
4	Fan Blade . . . . .	24-1611-3
5	Fan Guard . . . . .	34-0064-3
6	Rain Slinger . . . . .	24-1505-3
7	Head Pressure Control . . . . .	000004070
8	Coupling – Male, 5/8-18 . . . . .	† 83-6034-3
9	Coupling – Male, 1-1/6-12 . . . . .	† 83-6035-3
10	Female Line Set Coupling Kit (Sold as Finished Goods Sales Kit) . . . . .	Sales K0129

## Miscellaneous – Brackets, Screws, etc.

11	Coupling Mounting Flange (for 5/8-18) . . . . .	83-6005-3
12	Coupling Mounting Flange (for 1-1/16-12) . . . . .	83-6006-3
13	Top Cover . . . . .	† 601775-1
14	Panel – Side . . . . .	† 601774-1
15	Panel – Rear . . . . .	† 601773-1
16	Panel – Front . . . . .	† 601772-1
17	Fan Motor Mounting Bracket . . . . .	† 601768-1
18	Electrical Box Cover . . . . .	† 601776-1
19	<b>Fan Motor Mounting Screw</b> (5/16-18 x 5/8) . . . . .	† 50-3565-9
	a. Fan Motor Mounting Flatwasher . . . . .	† 55-7309-9
	b. Fan Motor Mounting Lockwasher . . . . .	† 55-7313-9
	c. Fan Motor Mounting Hexnut . . . . .	54-2975-9
20	<b>Fan Guard Mounting Screw</b> (1/4-20 x 5/8) . . . . .	† 50-3345-9
	a. Fan Guard Mounting Flatwasher . . . . .	† 55-7304-9
	b. Fan Guard Mounting Lockwasher . . . . .	† 55-4511-9
	c. Fan Guard Mounting Hexnut . . . . .	† 54-2952-9
21	<b>Panel/Condenser Mounting Screw</b> (#8 x 1/2) . . . . .	† 51-2153-9
	a. Panel/Condenser Mounting Lockwasher . . . . .	† 55-4459-9
22	Screw (#10-24 x 1/2) . . . . .	† 52-0206-9
23	Valve Cores (used in linesets) . . . . .	76-2684-3
24	Legs (Not shown) . . . . .	† 601769-1

† Refer to Cross Reference Guide