



Ice Machine Parts List for Series S600 Models

SD0602A

SY0604A

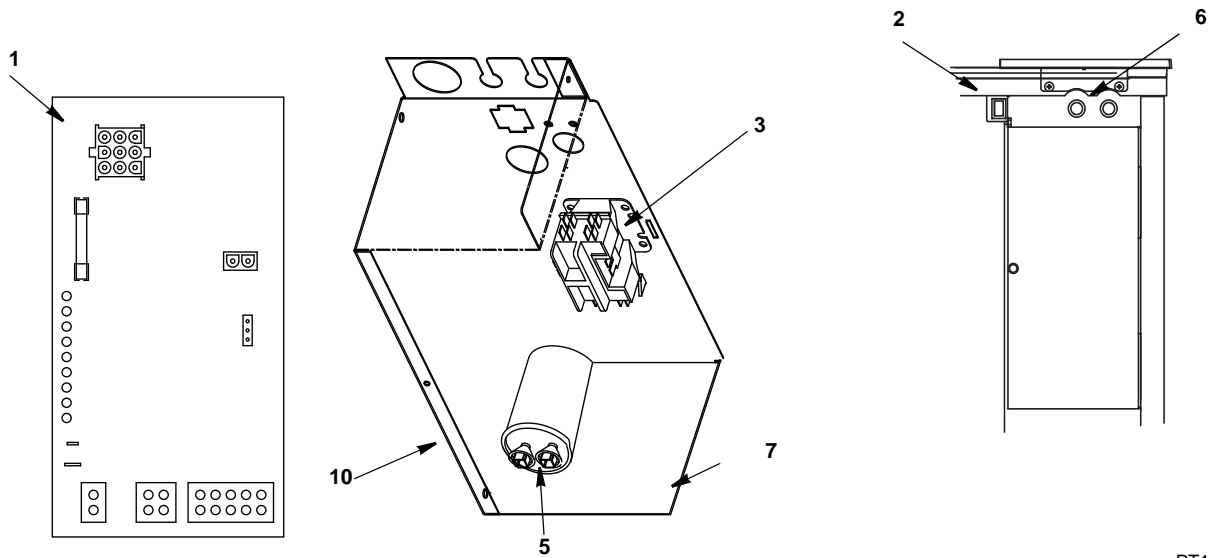
SD0603W

SY0605W

SD0692N

SY0694N

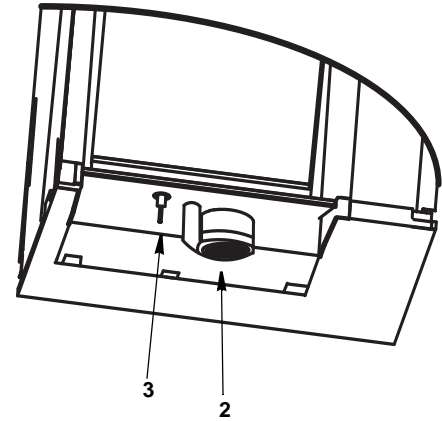
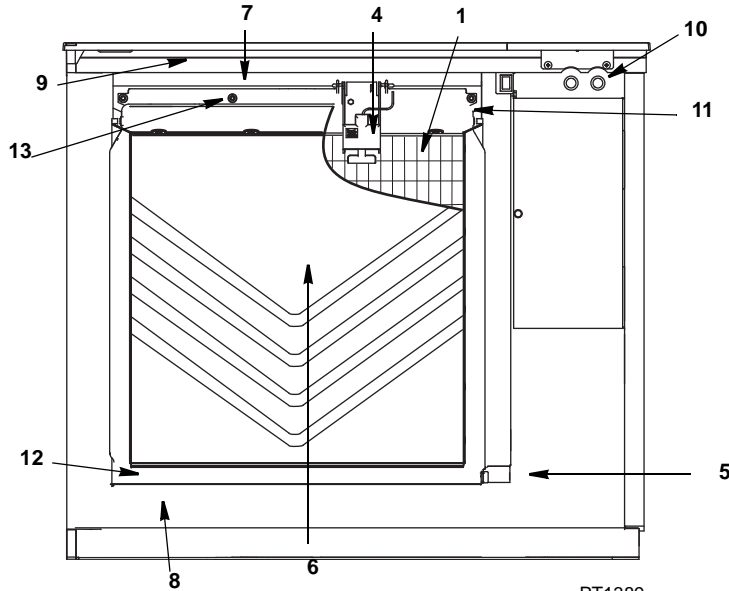
S600 CONTROL BOX



PT1388

1	Control Board (for use with all voltages)	20-0619-9
	a. 7 Amp Fuse – Mounted on Control Board	25-1100-3
2	Toggle Switch Only	20-0793-9
	a. Toggle Switch Wiring Harness	20-0807-9
	b. Toggle Switch Box	40-1163-9
3	Contactor	
	a. 208-230V/60 Hz/1 Ph or 230V/50 Hz/1 Ph	20-0659-9
4	P.T.C.R. Compressor Starter	85-0499-3
5	Compressor Run Capacitor	
	a. 208-230V/50/60 Hz/1 Ph)	85-0393-3
6	Refrigeration Service Valve Assembly	83-7326-3
Miscellaneous – Brackets, Screws, etc.		
7	Control Box	76-0214-3
	a. Control Box Cover (Not shown)	76-0215-3
8	P.T.C.R. Compressor Starter Mounting Bracket	85-0501-3
9	Control Board Mounting Supports (Not shown)	43-0225-3
10	Capacitor Mounting Strap	602495-1
11	Screw, #10-24 x .50 Ground	52-0216-9
	a. Star Washer	55-7320-9
12	Screw, #10-24 x .50	52-0206-9
13	Control Box Wiring Harness (Not shown)	
	a. 230/60/1	20-0731-9
	b. 230/50/1	20-0732-9

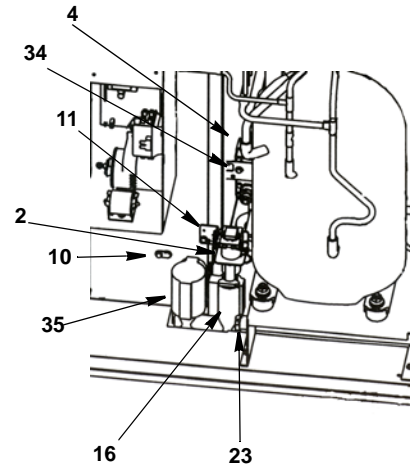
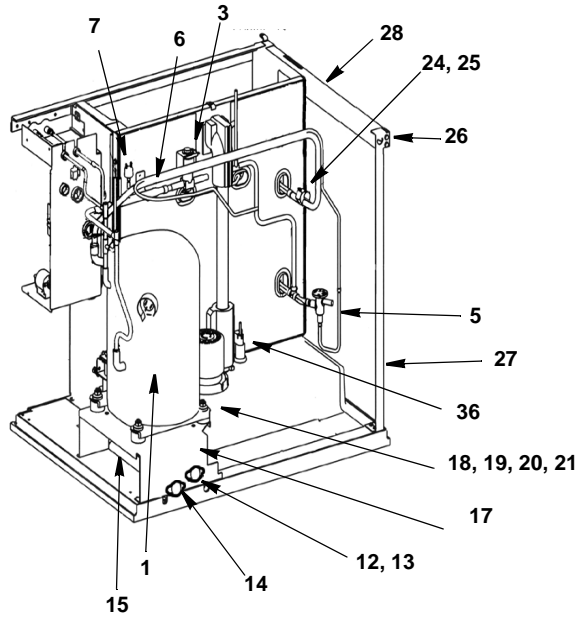
S600 EVAPORATOR COMPARTMENT



DESCRIPTION

		PART NO.
1	Evaporator Assembly	
	a. Dice Cube	76-0283-9
	b. Half Dice Cube	76-0284-9
	c. Regular Cube	76-0285-9
2	Water Pump	
	a. 230V/60/1 PH	20-0739-9
	b. 230V/50/1 PH	82-5210-9
3	Water Level Probe	20-0654-9
	a. Wire, control box to probe.	20-0798-9
4	Ice Thickness Control Probe	20-0802-9
5	Magnetic Bin Switch	20-0681-9
6	Water Curtain	40-1097-9
7	Water Distribution Assembly	76-0219-3
	a. O-Rings (Back of Distribution Assembly)	50-0464-9
8	Water Trough	40-0360-9
9	Evaporator Top Filler Panel	40-0846-9
	a. Filler Panel Bracket.	606333-9
	b. Bracket Screw.	52-0209-9
10	Access Valve	83-7326-3
11	Evaporator Top Frame Assembly	76-0220-3
12	Water Diverter	76-0221-3
	a. Thumbscrew	53-0512-3
Miscellaneous – Brackets, Screws, etc.		
13	Screw, (Water Distribution Tube Mounting) Each	50-0479-9
	a. O-Ring.	50-0462-9
14	Screw, #12-16 x .687 (Used to Mount Evaporator) Each	50-0461-9
15	Water Pump Base O-Ring	50-0465-9
16	Water Pump Outlet O-Ring	50-0467-9
17	Vinyl Tubing 0.625 ID (dump valve to drain adapter)	000001382
	a. Insulation.	603883-1

S600 REFRIGERATION COMPARTMENT – COMMON PARTS



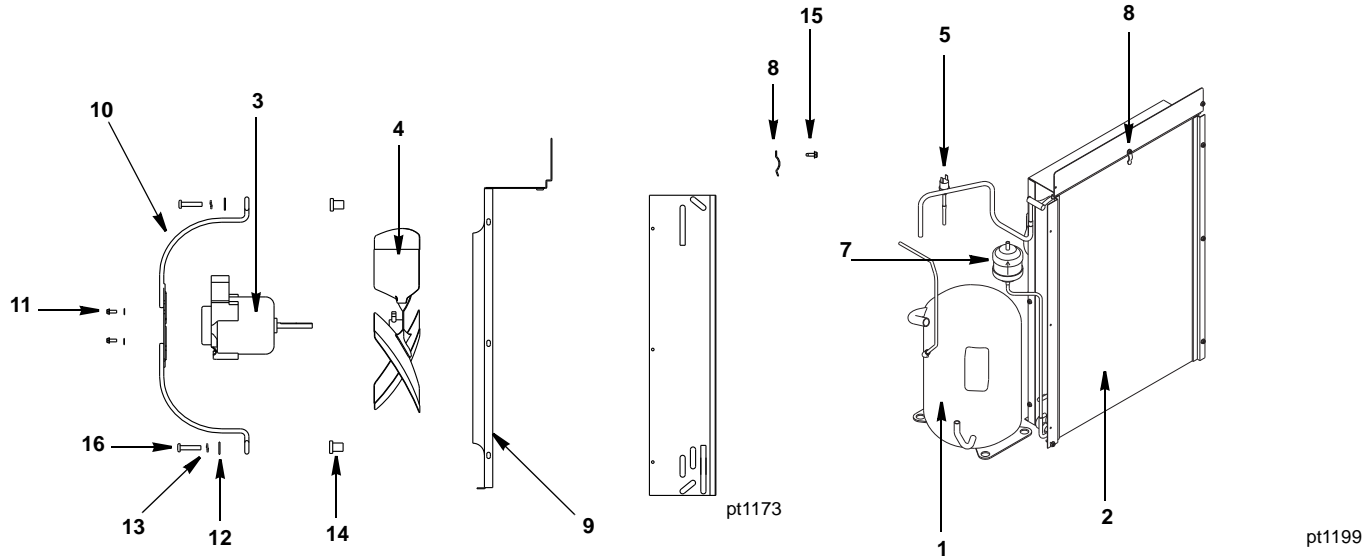
DESCRIPTION

		PART NO.
1	Compressor	
	a. 208-230V/60 Hz/1 Ph	76-0291-3
	b. 230V/50 Hz/1 Ph	76-0292-3
2	Water Dump Valve	
	a. 208-230V/50-60 Hz	000001768
	Dump Valve Rebuild Kit	No Longer Available
3	Harvest Valve Including Electrical Coil	
	a. 208-230V/50-60 Hz	76-3009-1
	Harvest Valve Coil Only	
	a. 208-230V/50-60 Hz	000005157
4	Water Inlet Valve with Coil	
	a. 208-230V/50/60 Hz	000007966
5	Expansion Valve	76-0158-3
	a. Expansion Valve Body Insulation Boot	40-0036-3
	b. Expansion Valve Bulb Insulation Boot	40-0720-3
6	Manifold Strainer (in front of hot gas valve)	82-5104-9
7	High Pressure Cut-out (Auto Reset)	20-0124-3
8	Electrical Box on Rear of Ice Machine	
	a. Box	Included in Back Panel Assembly
	b. Terminal Block 3 Pole	20-0614-3
	c. Groundscrew #10-24 x .50	52-0216-9
9	Compressor Compartment Wiring Harness	
	a. Water	20-0732-9
	b. Air	20-0731-9
	c. Remote	20-0733-9
10	Bin Switch	20-0681-9

Miscellaneous – Brackets, Screws, etc.

11	Dump Valve Mounting Bracket	605845-9
12	Water Inlet Valve Wing Adapter	87-0609-3
13	Water Inlet Valve Wing Adapter Plastic Fitting	13-6096-1
14	Water Drain Female Wing Adapter	87-0608-3
15	Water Drain Clear Tubing, .625 ID x 12 inches	44-2038-3
16	Dump Valve Tubing (3.25 inches)	44-2038-3
17	Compressor Mounting Base	606170-9
18	Compressor Mounting Rubber Grommet	† 85-0306-9
19	Compressor Mounting Sleeve	85-0394-9
20	Compressor Mounting Bolt	50-0481-9
21	Compressor Mounting Nut	50-0482-9
22	Compressor Wiring Harness (Not Shown)	20-0852-9
23	Clamp, Water Drain	56-5070-9
24	Clamp, Expansion Valve Bulb	56-5052-9
25	Copper Bulb Strap	30-0050-3
26	Screw, #10-24 x .50	52-0206-9
27	Left Corner Post	606293-9
28	Left Top Channel	606864-9
29	Right Corner Post (Not Shown)	606292-9
30	Right Top Channel (Not Shown)	606257-9
31	Insulated Tube (vinyl tubing from distribution tube to water pump & dump valve)	000003405
	a. Clamp .859/.989 ID	56-5060-3
	b. Clamp .799/.899 ID	56-5070-3
32	Water Inlet Valve Tubing (Not Shown)	40-1043-9
33	Connector (Water inlet valve)	13-6098-9
34	Water Inlet Valve Bracket	605845-9
35	Check Valve Replacement (includes water diverter, vinyl tubing & insulation)	000002473
36	Holder, Water Level Probe	20-0655-9
	a. Screw (mounts Water Level Probe Holder)	52-0206-9

S600 REFRIGERATION COMPARTMENT – AIR-COOLED



DESCRIPTION

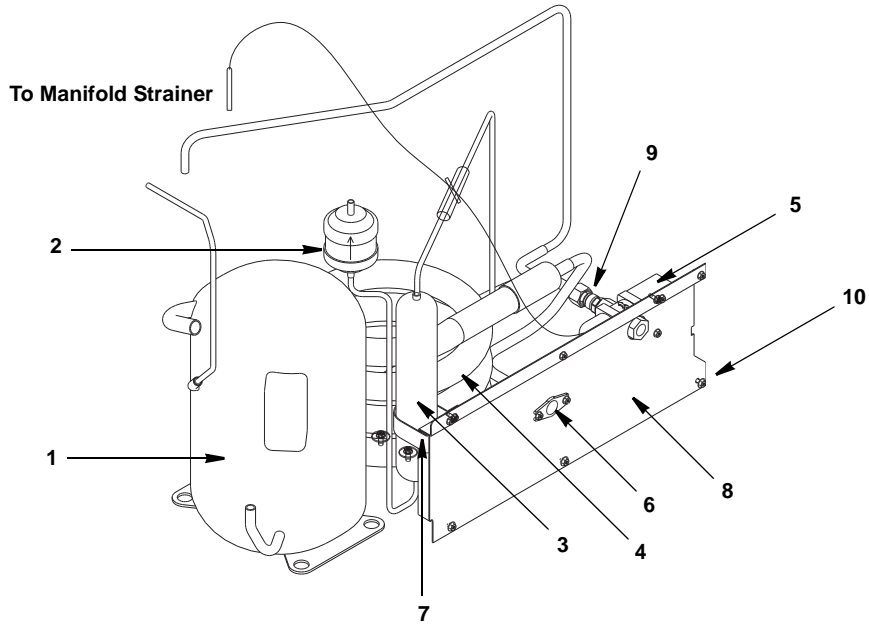
		PART NO.
1	Compressor (Refer to COMMON PARTS Page)	Page S600-4
2	Air Condenser	82-5294-3
3	Fan Motor	
	a. 208-230V/60 Hz or 230V/50 Hz	24-1293-9
4	Fan Blade	24-1617-3
5	Fan Cycling Control	20-0126-3
6	Air Filter (Not shown)	30-0568-9
7	Drier	89-3025-9

Miscellaneous – Brackets, Screws, etc.

8	Air Filter Clip	† 56-5069-9
9	Fan Shroud	606596-9
10	Fan Motor Mounting Bracket	606186-9
11	Fan Motor Mounting Screw	54-2913-9
12	Fan Bracket Mounting Lockwasher	† 55-4510-9
13	Fan Bracket Mounting Flatwasher	† 55-7305-9
14	Fan Bracket Mounting Rubber Wellnut	† 54-2955-9
15	Screw, #10-24 x .50	† 52-0206-9
16	Screw	50-3238-9

† Refer to Cross Reference Guide

S600 REFRIGERATION COMPARTMENT – WATER-COOLED



pt1200

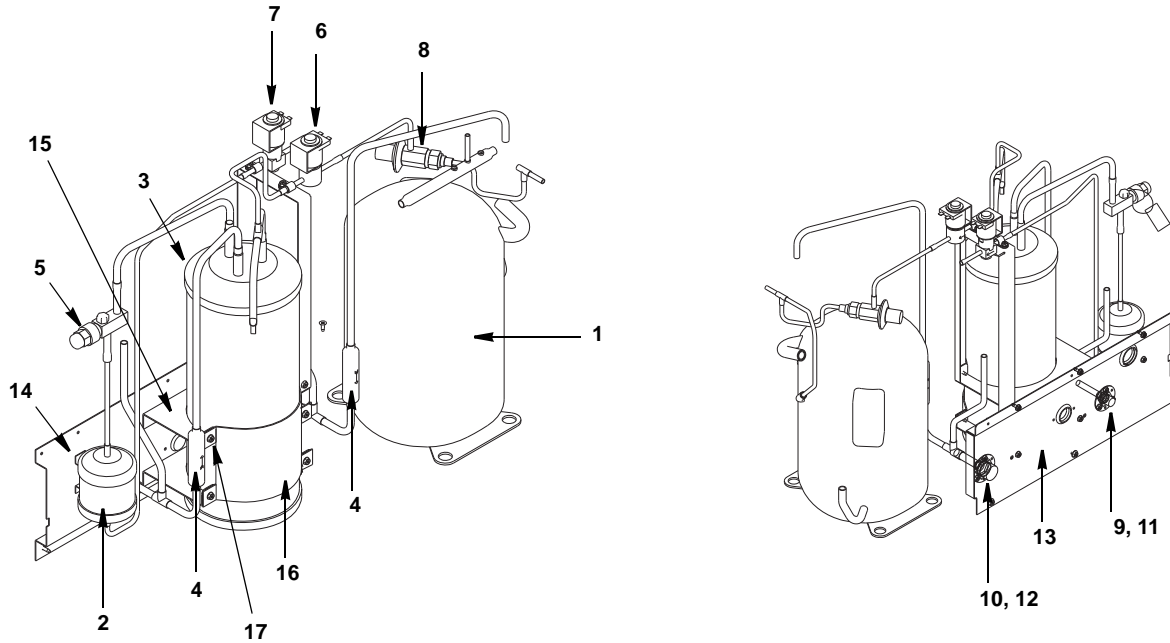
DESCRIPTION

	PART NO.
1 Compressor (Refer to COMMON PARTS Page)	Page S600-4
2 Drier	89-3025-9
3 Receiver	12-0003-1
4 Water-cooled Condenser	82-5303-9
5 Water Regulating Valve	83-7206-9
6 Water Drain Female Wing Adapter	87-0608-3

Miscellaneous – Brackets, Screws, etc.

7 Receiver Strap	600054-1
8 Back Panel	606173-9
9 Elbow .50 MF x .375 MPT	50-0224-9
10 Screw, #10-24 x .50	52-0206-9
11 Washer (mount water condenser	55-7341-9
12 Base, Water Condenser/Receiver	605865-9

S600 REFRIGERATION COMPARTMENT – REMOTE



DESCRIPTION

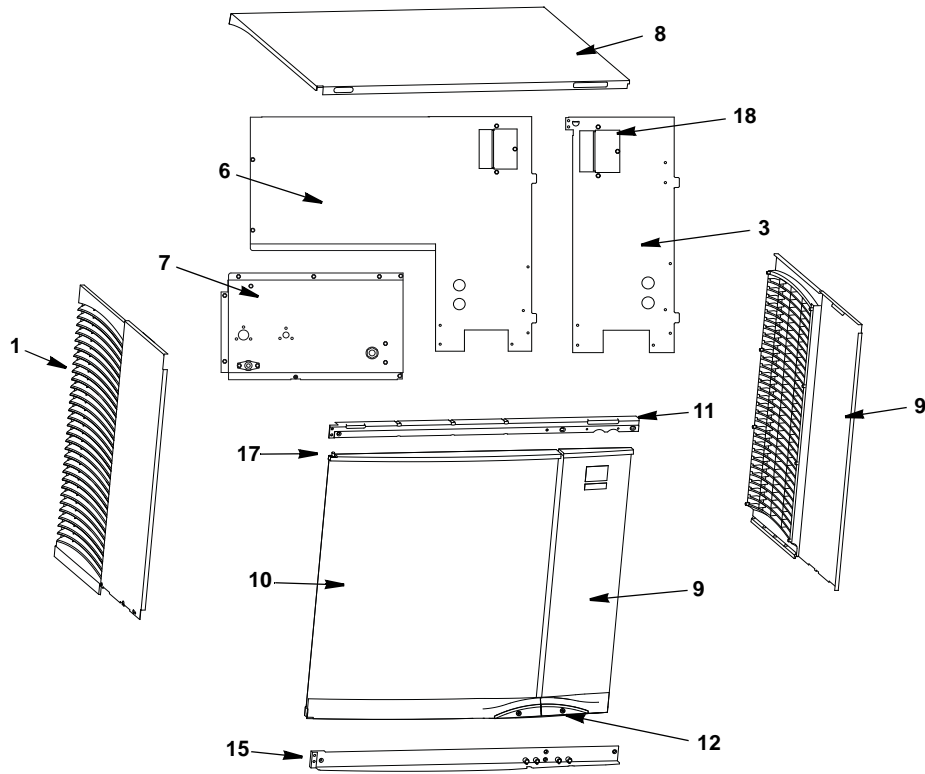
		PART NO.
1	Compressor (Refer to COMMON PARTS)	Page S600-4
2	Drier	89-3027-9
3	Receiver	82-5058-3
4	Magni-Check Valve.	† 83-7314-9
5	Refrigeration Service Valve	† 83-7316-9
	a. Cap for Refrigeration Service Valve	56-5075-9
6	Harvest Pressure Regulating Solenoid (HPR) Valve	
	a. HPR Valve Including 208/230V 50/60 Hz Electrical Coil (Danfoss).	† 76-3006-1
	b. HPR Valve 208/230V 50/60 Hz Coil Only Danfoss	000005157
7	Liquid Line Solenoid (LLS) Valve	
	a. LLS Valve Including 208/230V 50/60 Hz Electrical Coil (Danfoss)	† 76-3008-1
	b. LLS Valve 208/230V 50/60 Hz Coil Only Danfoss.	000005157
8	Harvest Pressure Regulating Valve (HPR)	† 83-6779-3
9	Coupling – Male, 5/8-18	† 83-6034-3
10	Coupling – Male, 1-1/6-12	† 83-6035-3

Miscellaneous – Brackets, Screws, etc.

11	Coupling Mounting Flange for 5/8-18	83-6005-3
12	Coupling Mounting Flange for 1-1/16-12	83-6006-3
13	Back Panel	606173-9
14	Drier Support Bracket	56-5061-9
15	Receiver Mounting Bracket.	606303-9
16	Receiver Mounting Strap	606314-9
17	Screw, #10-24 x .50	† 52-0206-9
18	Base (Receiver Mounting)	606304-9

† Refer to Cross Reference Guide

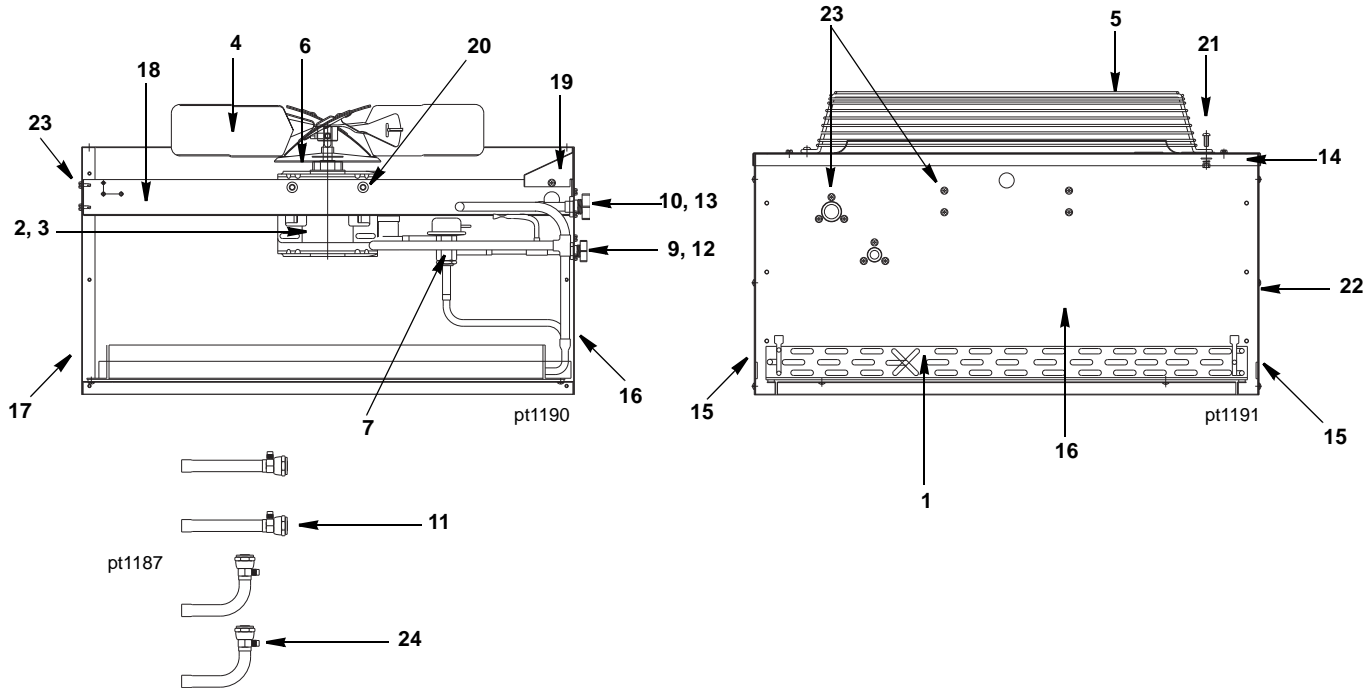
S600 PANELS



DESCRIPTION

	PART NO.
1 Left Side Panel	606053-9
2 Right Side Panel	606052-9
Air-Cooled Back Panels)	
3 Back Panel with Electrical Connection Box, Air-cooled Models	606595-9
4 Air Filter (Not Shown)	30-0568-9
5 Air Baffle (Not Shown)	606077-9
Water-Cooled Back Panels)	
6 Back Panel with Electrical Connection Box, Water-cooled Models	606605-9
7 Back Coupling Panel, Water Connections	606173-9
Aluminum Front Top Support on machine (replace all)	
8 Top Cover	000006699
9 Right Door	607166-1
10 Left Door	607165-1
11 Front Top Rail	000000295
Mounting Screw Left Side 8-32 x 1	50-0537-9
Mounting Screw Right Side 10-24 x.50	50-0509-9
Plastic Front Top Support on machine (replace as needed)	
8 Top Cover	000006699
9 Right Door	607166-1
10 Left Door	607165-1
11 Front Top Rail	000000295
Mounting Screw Left Side 8-32 x 1	50-0537-9
Mounting Screw Right Side 10-24 x.50	50-0509-9
Miscellaneous – Brackets, Screws, etc.	
12 Right/Left Door Screw	50-0489-9
13 Left Door Endcaps	
a. Top	40-1511-3
b. Bottom	40-1512-3
14 Right Door Endcaps	
a. Top	40-1514-3
b. Bottom	40-1515-3
15 Bottom Door Frame (Not Shown)	76-0226-3
a. Mounting Screw Left Side 8-32 x 1	50-0537-9
b. Mounting Screw Right Side 10 x 24 x .50 PHIL	52-0209-9
16 Door Catch Bracket (RHD)	606236-9
a. Mounting Screw 8-32 x .50 Phil	50-2624-9
17 Left Door Pivot Leaf Hinge (Top or Bottom)	30-0557-9
a. Mounting Screw 10-24 x .5 TCS-23 PHIL/FL	50-0537-9
18 Electrical Connection Box Cover	Included in Back Panel Assembly
19 Sachet Holder (Not Shown - Inside Left Door)	40-0459-3
a. Mounting Screws 8-32 x 3/8	50-0479-9
20 Top Air Discharge Kit Option (replaces standard top and side panels to discharge air out of top of machine)	K00379
a. Top Cover Only	000000480
b. Left Side Panel Only	606675-1
c. Right Side Panel Only	606676-1
d. Screws 10-24 x 1/2	52-0209-9

JC0895 REMOTE CONDENSER



DESCRIPTION

	PART NO.
1 Air Condenser	† 88-5062-9
2 Fan Motor (208-230V 50/60 Hz/1 Ph)	† 76-2941-3
3 Fan Motor Run Capacitor (Emerson)	85-0458-3
3 Fan Motor Run Capacitor (Magnatec)	No Longer Available
4 Fan Blade	24-1611-3
5 Fan Guard	34-0064-3
6 Rain Slinger	24-1505-3
7 Head Pressure Control	000004070
8 Terminal Block	000008040
9 Coupling – Male, 5/8-18	† 83-6034-3
10 Coupling – Male, 1-1/6-12	† 83-6035-3
11 Female Line Set Coupling Kit (Sold as Finished Goods Sales Kit)	Sales K0129

Miscellaneous – Brackets, Screws, etc.

12 Coupling Mounting Flange (for 5/8-18)	83-6005-3
13 Coupling Mounting Flange (for 1-1/16-12)	83-6006-3
14 Top Cover	† 601775-1
15 Panel – Side	† 601774-1
16 Panel – Rear	† 601773-1
17 Panel – Front	† 601772-1
18 Fan Motor Mounting Bracket	† 601768-1
19 Electrical Box Cover	† 601776-1
20 Fan Motor Mounting Screw (5/16-18 x 5/8)	† 50-3565-9
a. Fan Motor Mounting Flatwasher	† 55-7309-9
b. Fan Motor Mounting Lockwasher	† 55-7313-9
c. Fan Motor Mounting Hexnut	54-2975-9
21 Fan Guard Mounting Screw (1/4-20 x 5/8)	† 50-3345-9
a. Fan Guard Mounting Flatwasher	† 55-7304-9
b. Fan Guard Mounting Lockwasher	† 55-4511-9
c. Fan Guard Mounting Hexnut	† 54-2952-9
22 Panel/Condenser Mounting Screw (#8 x 1/2)	† 51-2153-9
a. Panel/Condenser Mounting Lockwasher	† 55-4459-9
23 Screw (#10-24 x 1/2)	† 52-0206-9
24 Valve Cores (used in linesets)	76-2684-3
25 Legs (Not shown) (4 Req.)	† 601769-1

† Refer to Cross Reference Guide