



## **Ice Machine Parts List for Series S420 Models**

**SD0422A**

**SY0424A**

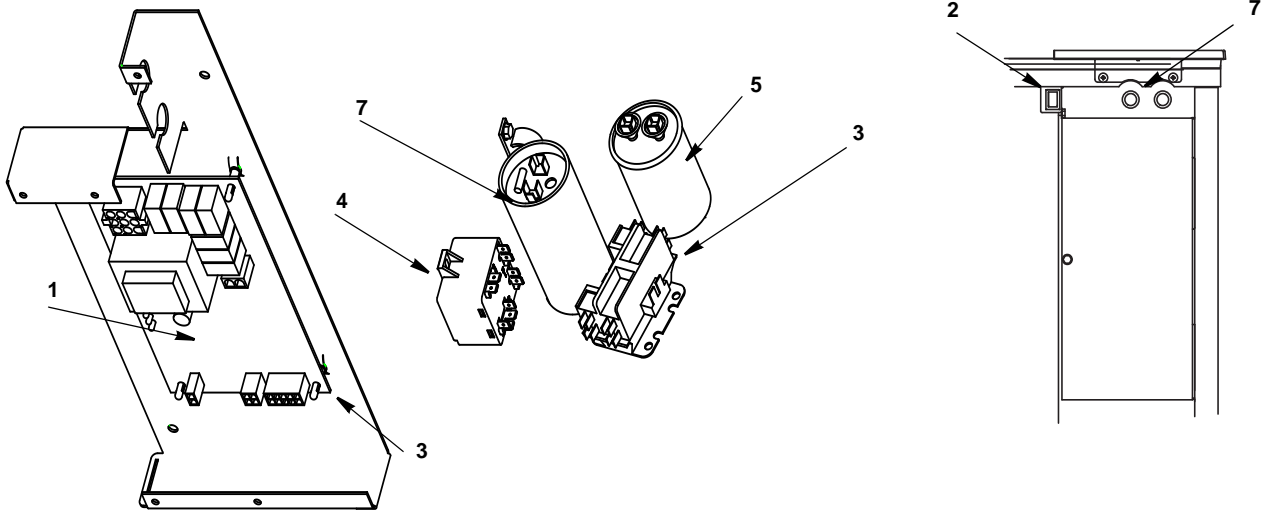
**SD0423W**

**SY0425W**

**SR0420A**

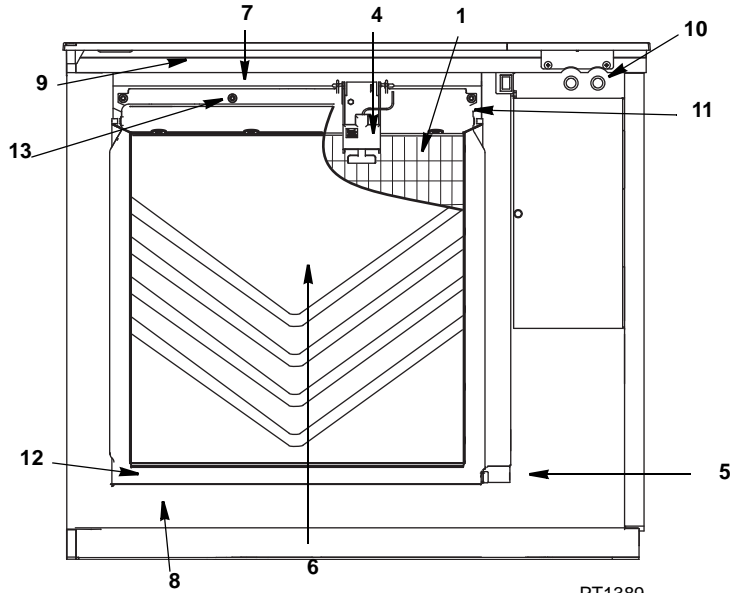
**SR0421W**

# S420 CONTROL BOX

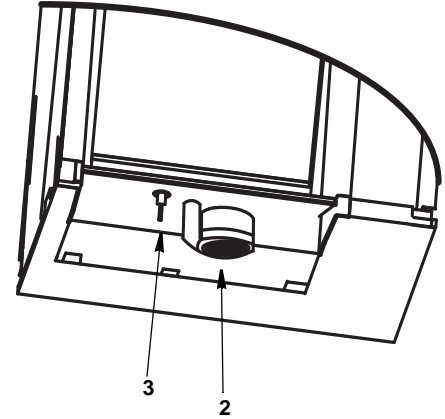


|   |   |           |
|---|---|-----------|
| 1   | <b>Control Board</b> (for use with all voltages) . . . . .                      | 20-0619-9 |
|   | a. 7 Amp Fuse – Mounted on Control Board . . . . .                              | 25-1100-3 |
| 2   | <b>Toggle Switch</b> Only . . . . .   | 20-0793-9 |
|   | a. Toggle Switch Wiring Harness . . . . .                                       | 20-0807-9 |
|   | b. Toggle Switch Box . . . . .  | 40-1163-9 |
| 3   | <b>Contactor</b>  |           |
|   | a. 115V/60 Hz/1 Ph. . . . .   | 20-0658-9 |
|   | b. 208-230V/60 Hz/1 Ph 230V/50 Hz/1 Ph . . . . .                                | 20-0659-9 |
| 4   | <b>Potential Start Relay</b>  |           |
|   | 115V/60 Hz/1 Ph. . . . .  | 20-0205-3 |
|   | 208-230V/50/60 Hz/1 Ph . . . . .  | 20-0792-9 |
|   | a. 60 cycle Only - Danfoss SC18MLX.3 - Before Serial Number 110667970 . . . . . | 20-0763-9 |
| 5   | <b>Compressor Run Capacitor</b>   |           |
|   | 115V/60 Hz/1 Ph. . . . .  | 20-1014-3 |
|   | 208-230V/50/60 Hz/1 Ph  |           |
|   | a. Danfoss SC15MLX.2 - Before Serial Number 110667970 . . . . .                 | 85-0400-3 |
|   | b. Danfoss SC18MLX.3 - Before Serial Number 110667970 . . . . .                 | 20-0949-3 |
|   | c. After Serial Number 110667970 . . . . .                                      | 85-0400-3 |
| 6   | <b>Start Capacitor</b>  |           |
|   | 115V/60 Hz/1 Ph. . . . .  | 85-0577-3 |
|   | 208-230V/50/60 Hz/1 Ph  |           |
|   | a. Before Serial Number 110667970 . . . . .                                     | 85-0370-3 |
|   | b. After Serial Number 110667970 . . . . .                                      | 85-0383-3 |
| 7   | <b>Refrigeration Service Valve Assembly</b> . . . . .                           | 83-7326-3 |
| <b>Miscellaneous – Brackets, Screws, etc.</b> |   |           |
| 8   | Control Box - control board (Not shown) . . . . .                               | 606390-9  |
|   | a. Control Box Side Cover (Not shown) . . . . .                                 | 76-0273-9 |
|   | b. Control Box Front Cover (Not shown) . . . . .                                | 76-0215-3 |
| 9   | Control Board Mounting Supports (Not shown) . . . . .                           | 43-0225-3 |
| 10  | Control Board Bushings . . . . .  | 25-0016-9 |
| 11  | Start Components Electrical Box . . . . .                                       | 606394-9  |
|   | a. Start Components Electrical Box Cover . . . . .                              | 76-0272-9 |
| 12  | Capacitor Mounting Strap . . . . .  | 50-0530-9 |
| 13  | Screw, #10-24 x .50 Ground. . . . .   | 52-0216-9 |
|   | a. Star Washer . . . . .  | 55-7320-9 |
| 14  | Screw, #10-24 x .50 . . . . .   | 52-0206-9 |
| 15  | Control Box Wiring Harness (Not shown)  |           |
|   | a. 115/60/1 . . . . .   | 20-0859-9 |
|   | b. 230/60/1 . . . . .   | 20-0860-9 |
|   | c. 230/50/1 . . . . .   | 20-0861-9 |

## S420 EVAPORATOR COMPARTMENT



PT1389

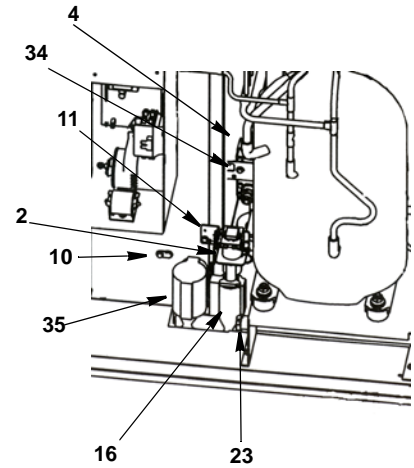
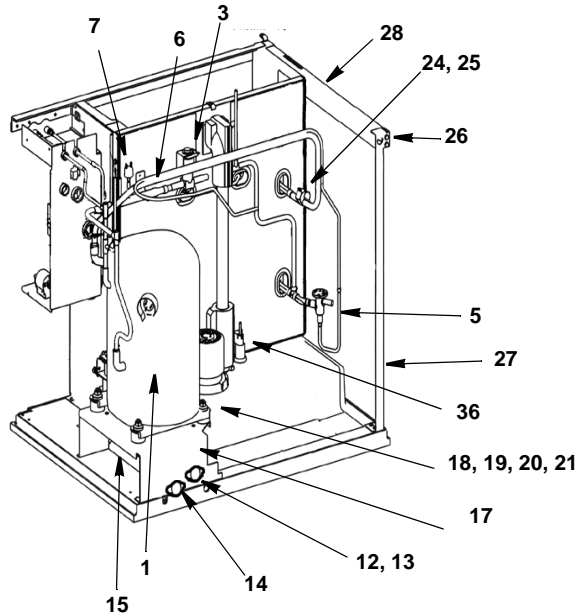


PT1390

### DESCRIPTION

|   |   | PART NO.  |
|---|---|-----------|
| 1   | <b>Evaporator Assembly</b>                                    |           |
|   | a. Dice Cube . . . . .  | 76-0276-9 |
|   | b. Half Dice Cube . . . . .                                   | 76-0275-9 |
|   | c. Regular Cube . . . . .                                     | 76-0274-9 |
| 2   | <b>Water Pump</b>   |           |
|   | a. 115V/60/1 PH . . . . .                                     | 20-0892-9 |
|   | b. 230V/60/1 PH . . . . .                                     | 20-0893-9 |
|   | c. 230V/50/1 PH . . . . .                                     | 20-0894-9 |
| 3   | Water Level Probe . . . . .                                   | 20-0654-9 |
|   | a. Wire, control box to probe. . . . .                        | 20-0798-9 |
| 4   | Ice Thickness Control Probe . . . . .                         | 20-0802-9 |
| 5   | Magnetic Bin Switch. . . . .                                  | 20-0681-9 |
| 6   | Water Curtain . . . . .                                       | 40-1118-9 |
| 7   | Water Distribution Assembly . . . . .                         | 76-0278-9 |
|   | a. O-Rings (Back of Distribution Assembly) . . . . .          | 50-0464-9 |
| 8   | Water Trough . . . . .  | 40-0914-9 |
| 9   | Evaporator Top Filler Panel . . . . .                         | 606538-9  |
|   | a. Filler Panel Bracket. . . . .                              | 606333-9  |
|   | b. Bracket Screw. . . . .                                     | 52-0209-3 |
| 10  | Access Valve . . . . .  | 83-7326-9 |
| 11  | Evaporator Top Frame Assembly . . . . .                       | 76-0279-9 |
| 12  | Water Diverter . . . . .                                      | 76-0277-9 |
|   | a. Thumbscrew . . . . .                                       | 53-0512-3 |
| <b>Miscellaneous – Brackets, Screws, etc.</b> |   |           |
| 13  | Screw, (Water Distribution Tube Mounting) Each . . . . .      | 50-0479-9 |
|   | a. O-Ring. . . . .  | 50-0462-9 |
| 14  | Screw, #12-16 x .687 (Used to Mount Evaporator) Each. . . . . | 50-0461-9 |
| 15  | Water Pump Base O-Ring . . . . .                              | 50-0465-9 |
| 16  | Water Pump Outlet O-Ring . . . . .                            | 50-0467-9 |
| 17  | Vinyl Tubing 0.625 ID (dump valve to drain adapter) . . . . . | 000001382 |
|   | a. Insulation. . . . .  | 603883-1  |

## S420 REFRIGERATION COMPARTMENT – COMMON PARTS



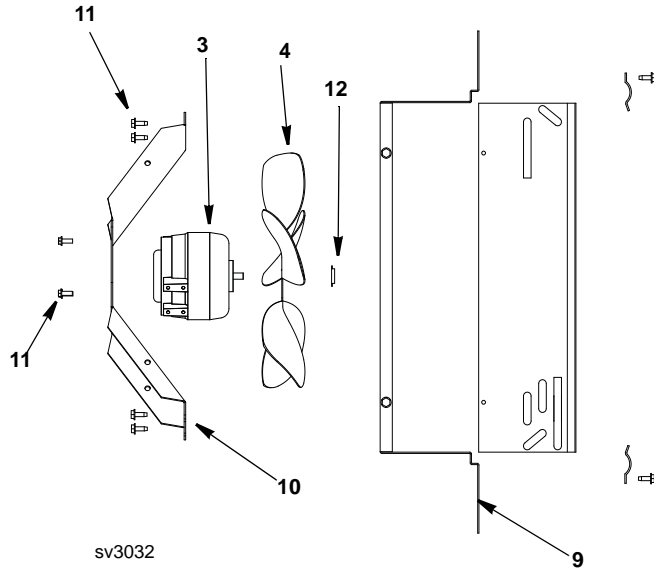
### DESCRIPTION

|    | DESCRIPTION                                       | PART NO.            |
|----|---|---------------------|
| 1  | <b>Compressor</b><br><b>115V/60 Hz/1 Ph</b>       |                     |
|    | a. Before Serial Number 110667970 . . . . .       | 76-0294-3           |
|    | Overload . . . . .                                | 82-5297-3           |
|    | b. After Serial Number 110667970 . . . . .        | 000003919           |
|    | Overload . . . . .                                | 82-5140-3           |
|    | <b>208-230V/60 Hz/1 Ph</b>                        |                     |
|    | a. Before Serial Number 110667970 . . . . .       | 76-0295-3           |
|    | b. After Serial Number 110667970 . . . . .        | 000003920           |
|    | <b>208-230V/50 Hz/1 Ph</b>                        |                     |
|    | a. Before Serial Number 110667970 . . . . .       | 76-0296-3           |
|    | b. After Serial Number 110667970 . . . . .        | 000003920           |
| 2  | <b>Water Dump Valve</b>                           |                     |
|    | a. 115V/60 Hz . . . . .                           | 000001767           |
|    | b. 208-230V/50-60 Hz . . . . .                    | 000001768           |
|    | <b>Dump Valve Rebuild Kit . . . . .</b>           | No Longer Available |
| 3  | <b>Harvest Valve Including Electrical Coil</b>    |                     |
|    | a. 115V/60 Hz . . . . .                           | 76-3001-1           |
|    | b. 208-230V/50-60 Hz . . . . .                    | 76-3007-1           |
|    | <b>Harvest Valve Coil Only</b>                    |                     |
|    | a. 115V/60 Hz . . . . .                           | 000005156           |
|    | b. 208-230V/50-60 Hz . . . . .                    | 000005157           |
| 4  | <b>Water Inlet Valve with Coil</b>                |                     |
|    | a. 115V/60 Hz . . . . .                           | 000007965           |
|    | b. 208-230V/50/60 Hz . . . . .                    | 000007966           |
| 5  | <b>Expansion Valve</b>                            |                     |
|    | a. Before Serial Number 110667970 . . . . .       | 76-0286-9           |
|    | b. After Serial Number 110667970 . . . . .        | 76-0290-3           |
|    | c. Expansion Valve Body Insulation Boot . . . . . | 40-1329-9           |
|    | d. Expansion Valve Bulb Insulation Boot . . . . . | 40-0720-3           |
| 6  | Manifold Strainer (in front of hot gas valve)     | 82-5100-3           |
| 7  | High Pressure Cut-out (Auto Reset)                | 20-0124-3           |
| 8  | <b>Electrical Box on Rear of Ice Machine</b>      |                     |
|    | a. Box . . . . .                                  | 606394-9            |
|    | b. Terminal Block 3 Pole . . . . .                | 20-0614-3           |
|    | c. Groundscrew #10-24 x .50 . . . . .             | 52-0216-9           |
| 9  | <b>Compressor Compartment Wiring Harness</b>      |                     |
|    | a. Water . . . . .                                | 20-0732-3           |
|    | b. Air . . . . .                                  | 20-0731-3           |
| 10 | Bin Switch . . . . .                              | 20-0681-9           |

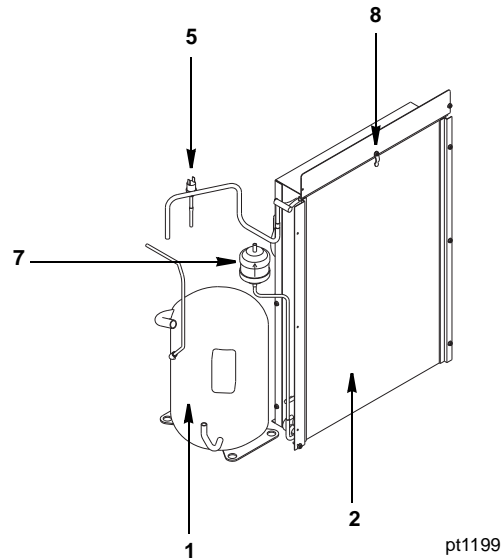
**Miscellaneous – Brackets, Screws, etc.**

|    |   |           |
|----|---|-----------|
| 11 | Dump Valve Mounting Bracket . . . . .   | 606503-9  |
|    | a. Mounting Screws 12-16 x .5 . . . . .   | 50-1231-3 |
|    | b. Mounting Screws 10-24 x 3/8 . . . . .  | 52-0210-9 |
| 12 | Water Inlet Valve Wing Adapter . . . . .  | 87-0609-3 |
| 13 | Water Inlet Valve Adapter Plastic Fitting . . . . .   | 13-6096-1 |
| 14 | Water Drain Female Wing Adapter . . . . .   | 87-0608-3 |
| 15 | Water Drain Clear Tubing, .625 ID x 12 inches . . . . .                                       | 44-2038-3 |
| 16 | Dump Valve Tubing (3.25 inches) . . . . .   | 44-2038-3 |
| 17 | Compressor Mounting Base . . . . .  | 606026-1  |
| 18 | Compressor Mounting Rubber Grommet . . . . .  | 50-0089-9 |
| 19 | Compressor Mounting Sleeve . . . . .  | 50-0090-9 |
| 20 | Compressor Mounting Screw 1/4-20 x 1 1/4 . . . . .  | 50-0499-9 |
| 21 | Compressor Mounting Nut . . . . .   | 50-0500-9 |
| 22 | Compressor Wiring Harness (Not Shown) . . . . .   | 20-0188-9 |
| 23 | Clamp, Water Drain . . . . .  | 56-5070-9 |
| 24 | Clamp, Expansion Valve Bulb . . . . .   | 56-5052-9 |
| 25 | Copper Bulb Strap . . . . .   | 30-0083-3 |
| 26 | Screw, #10-24 x .50 . . . . .   | 52-0206-9 |
| 27 | Left Corner Post . . . . .  | 606343-9  |
| 28 | Left Top Channel . . . . .  | 606864-9  |
| 29 | Right Corner Post (Not Shown) . . . . .   | 606358-1  |
| 30 | Right Top Channel (Not Shown) . . . . .   | 607145-1  |
| 31 | Insulated Tube (vinyl tubing from distribution tube to water pump & dump valve) . . . . .     | 000003404 |
|    | a. Clamp .859/.989 ID . . . . .   | 56-5060-3 |
|    | b. Clamp .799/.899 ID . . . . .   | 56-5070-3 |
| 32 | Water Inlet Valve Tubing (Not Shown) . . . . .  | 40-1043-9 |
| 33 | Connector (Water inlet valve) . . . . .   | 50-0531-9 |
| 34 | Water Inlet Valve Bracket . . . . .   | 605845-9  |
| 35 | <b>Check Valve Replacement</b> (includes water diverter, vinyl tubing & insulation) . . . . . | 000002472 |
| 36 | Holder, Water Level Probe . . . . .   | 20-0655-9 |
|    | a. Screw (mounts Water Level Probe Holder) . . . . .  | 52-0206-9 |

## S420 REFRIGERATION COMPARTMENT – AIR-COOLED



sv3032



pt1199

### DESCRIPTION

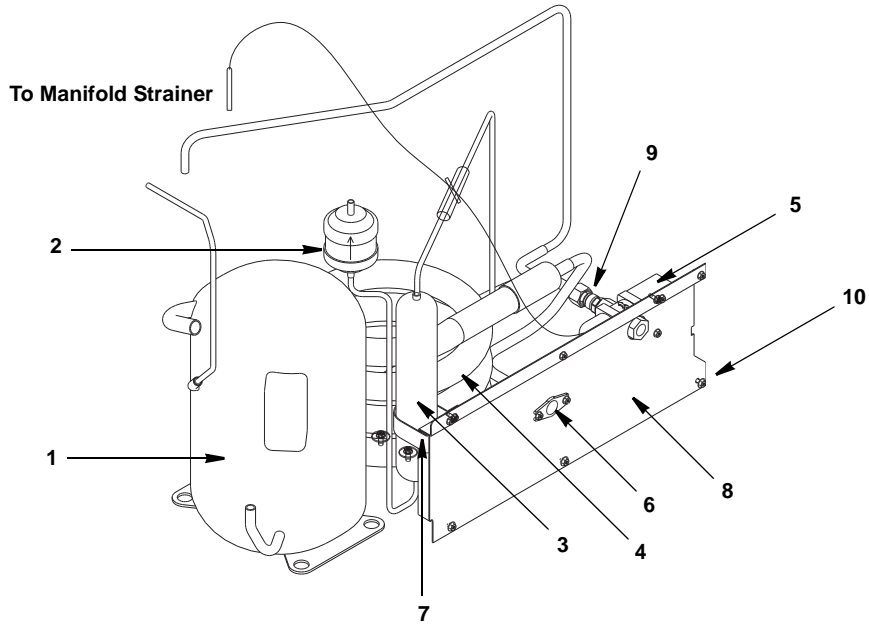
|   |   | <b>PART NO.</b> |
|---|---|-----------------|
| 1 | Compressor (Refer to COMMON PARTS Page) | Page S420-4     |
| 2 | Air Condenser                           | 82-5212-9       |
| 3 | Fan Motor                               |                 |
|   | a. 115V/60 Hz                           | 24-1292-9       |
|   | b. 208-230V/60 Hz or 230V/50 Hz         | 24-1293-9       |
| 4 | Fan Blade                               | 24-1620-3       |
| 5 | Fan Cycling Control                     | 20-0126-3       |
| 6 | Air Filter (Not shown)                  | 30-0593-9       |
| 7 | Drier                                   | 89-3025-9       |

### Miscellaneous – Brackets, Screws, etc.

|    |                            |             |
|----|----------------------------|-------------|
| 8  | Air Filter Clip            | † 56-5069-9 |
| 9  | Fan Shroud                 | 606168-9    |
| 10 | Fan Motor Mounting Bracket | 606186-9    |
| 11 | Screw, #10-24 x .50        | † 52-0206-9 |
| 12 | Hexnut #8-32               | 54-2913-3   |

† Refer to Cross Reference Guide

## S420 REFRIGERATION COMPARTMENT – WATER-COOLED



pt1200

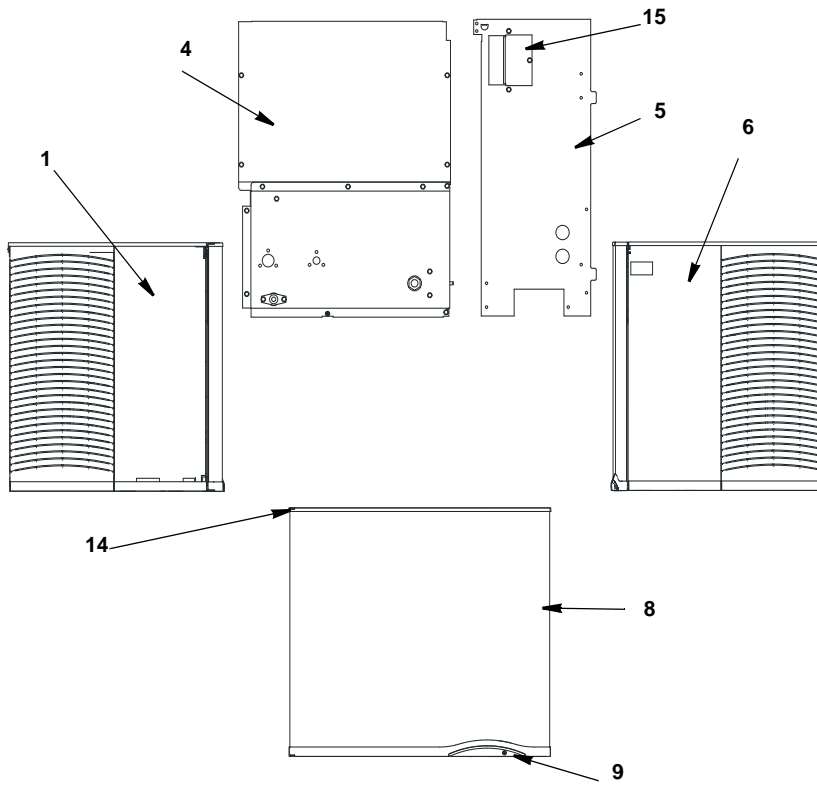
### DESCRIPTION

| DESCRIPTION   | PART NO.    |
|---|-------------|
| 1 Compressor (Refer to COMMON PARTS Page) . . . . . | Page S420-4 |
| 2 Drier . . . . .                                   | 89-3025-9   |
| 3 Receiver . . . . .                                | 12-0003-1   |
| 4 Water-cooled Condenser . . . . .                  | 000000046   |
| 5 Water Regulating Valve . . . . .                  | 83-7206-9   |
| 6 Water Drain Female Wing Adapter . . . . .         | 87-0610-3   |

### Miscellaneous – Brackets, Screws, etc.

|   |           |
|---|-----------|
| 7 Receiver Strap . . . . .                  | 600054-1  |
| 8 Back Panel . . . . .                      | 606366-9  |
| 9 Elbow 3/8 MF x 3/8 MPT . . . . .          | 50-0215-9 |
| 10 Screw, #10-24 x .50 . . . . .            | 52-0206-9 |
| 11 Washer . . . . .                         | 55-7341-9 |
| 12 Base, Water Condenser/Receiver . . . . . | 605865-9  |

## S420 PANELS



### DESCRIPTION

| DESCRIPTION                        | PART NO.  |
|------------------------------------|-----------|
| 1 Left Side Panel . . . . .        | 606053-9  |
| 2 Air Baffle (Not Shown) . . . . . | 606077-9  |
| 3 Air Filter (Not Shown) . . . . . | 30-0593-9 |
| 4 Back Panel, Water . . . . .      | 606369-9  |
| 5 Back Panel, Air . . . . .        | 606360-9  |
| 6 Right Side Panel . . . . .       | 606052-9  |
| 7 Top Cover (Not Shown) . . . . .  | 40-1202-9 |
| 8 Front Door . . . . .             | 606344-9  |

### Miscellaneous – Brackets, Screws, etc.

|   |           |
|---|-----------|
| 9 Front Door Screw . . . . .                              | 50-0489-9 |
| 10 Front Top Support (Not shown) . . . . .                | 30-0573-9 |
| a. Mounting Screw Left Side 8-32 x 1 . . . . .            | 50-0537-9 |
| b. Mounting Screw Right Side 10-24 x .50 . . . . .        | 50-0509-9 |
| 11 Front Cover Strike . . . . .                           | 30-0602-9 |
| 12 Bottom Door Frame (Not Shown) . . . . .                | 76-0282-9 |
| a. Mounting Screw Left Side 8-32 x 1 . . . . .            | 50-0537-9 |
| b. Mounting Screw Right Side 10 x 24 x .50 PHIL. . . . .  | 52-0209-9 |
| 13 Door Catch Bracket . . . . .                           | 40-1265-9 |
| a. Mounting Screw 8-32 x .875 Phil. . . . .               | 50-0489-9 |
| 14 Left Door Pivot Leaf Hinge (Top or Bottom) . . . . .   | 30-0557-9 |
| a. Mounting Screw 10-24 x .5 TCS-23 PHIL/FL . . . . .     | 50-0537-9 |
| 15 Electrical Connection Box Cover . . . . .              | 606399-9  |
| 16 Sachet Holder (Not Shown - Inside Left Door) . . . . . | 40-0459-3 |
| a. Mounting Screws 8-32 x 3/8 . . . . .                   | 50-0479-9 |