



Ice Machine Parts List for Series S320 Models

SD0322A

SY0324A

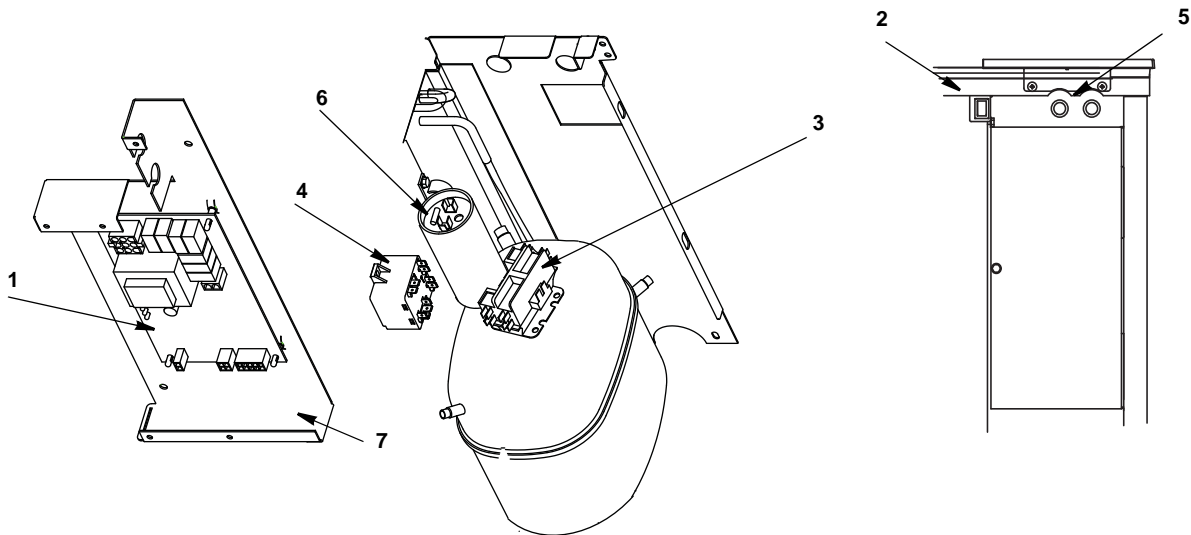
SD0323W

SY0325W

SR0320A

SR0321W

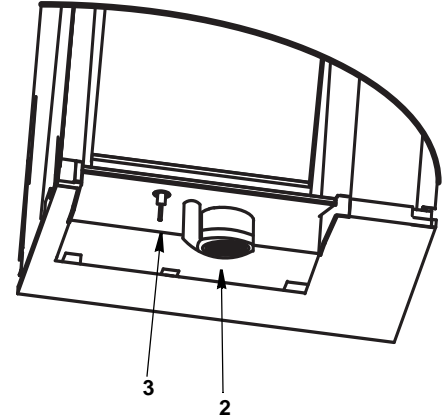
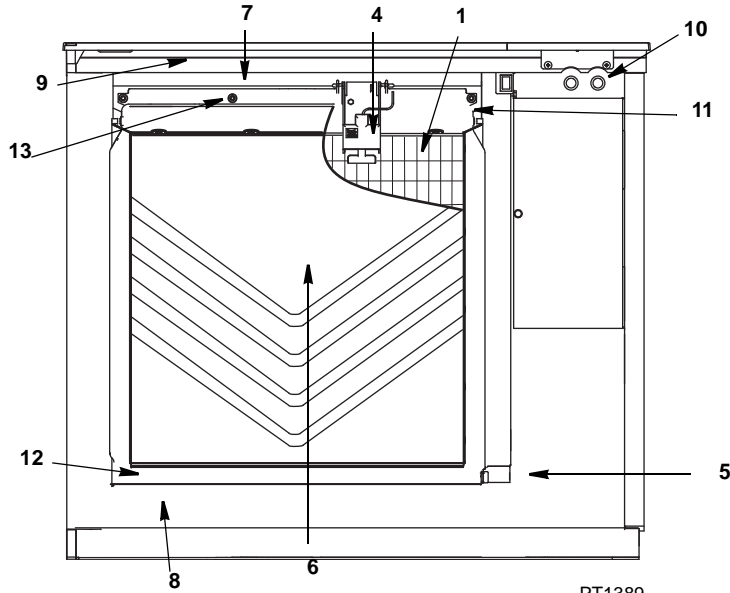
S320 CONTROL BOX



PT1388

1	Control Board (for use with all voltages)	20-0619-9
	a. 7 Amp Fuse – Mounted on Control Board	25-1100-3
2	Toggle Switch Only	20-0793-9
	a. Toggle Switch Wiring Harness	20-0807-9
	b. Toggle Switch Box	40-1163-9
3	Contactor	
	a. 115V/60 Hz/1 Ph	20-0658-9
	b. 208-230V/60 Hz/1 Ph or 230V/50 Hz/1 Ph	20-0659-9
4	Current Start Relay	
	a. 115V/60 Hz/1 Ph	82-5103-3
	b. 208-230V/50/60 Hz/1 Ph)	20-0224-3
5	Refrigeration Service Valve Assembly	83-7326-3
6	Start Capacitor	
	a. 115V/60 Hz/1 Ph	82-5102-3
	b. 208-230V/50/60 Hz/1 Ph)	85-0443-3
Miscellaneous – Brackets, Screws, etc.		
7	Control Box	606390-9
	a. Control Box Side Cover (Not shown)	76-0273-9
	a. Control Box Front Cover (Not shown)	76-0215-3
8	Control Board Mounting Supports (Not shown)	43-0225-3
9	Control Board Bushings	25-0016-9
10	Start Components Electrical Box	606394-9
11	Capacitor Mounting Strap	50-0530-3
12	Screw, #10-24 x .50 Ground	52-0216-9
	a. Star Washer	55-7320-9
13	Screw, #10-24 x .50	52-0206-9
14	Control Box Wiring Harness (Not shown)	
	a. 115/60/1	20-0873-9
	b. 230/60/1	20-0874-9
	c. 230/50/1	20-0875-9

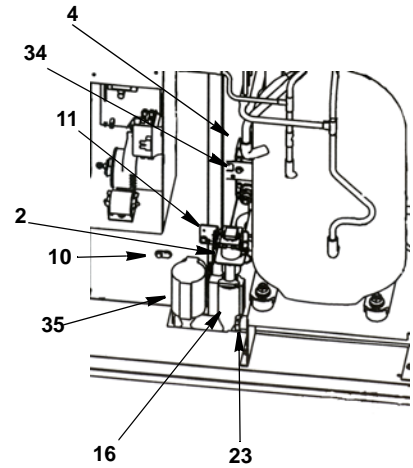
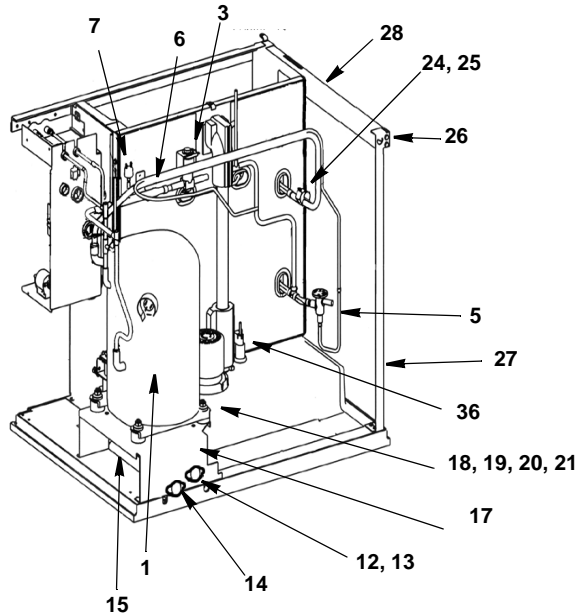
S320 EVAPORATOR COMPARTMENT



DESCRIPTION

	PART NO.
1 Evaporator Assembly	
a. Dice Cube	76-0276-9
b. Half Dice Cube	76-0275-9
2 Water Pump	
a. 115V/60/1 PH	20-0892-9
b. 230V/60/1 PH	20-0893-9
c. 230V/50/1 PH	20-0894-9
3 Water Level Probe	20-0654-9
a. Wire, control box to probe	20-0798-9
4 Ice Thickness Control Probe	20-0802-9
5 Magnetic Bin Switch	20-0681-9
6 Water Curtain	40-1118-9
7 Water Distribution Assembly	76-0278-9
a. O-Rings (Back of Distribution Assembly)	50-0464-9
8 Water Trough	40-0914-9
9 Evaporator Top Filler Panel	606538-1
a. Filler Panel Bracket	606333-9
b. Bracket Screw	52-0209-9
10 Access Valve	83-7326-9
11 Evaporator Top Frame Assembly	76-0279-9
12 Water Diverter	76-0277-9
a. Thumbscrew	53-0512-3
Miscellaneous – Brackets, Screws, etc.	
13 Screw, (Water Distribution Tube Mounting) Each	50-0479-9
a. O-Ring	50-0462-9
14 Screw, #12-16 x .687 (Used to Mount Evaporator) Each	50-0461-9
15 Water Pump Base O-Ring	50-0465-9
16 Water Pump Outlet O-Ring	50-0467-9
17 Vinyl Tubing 0.625 ID (dump valve to drain adapter)	000001382
a. Insulation	603883-1

S320 REFRIGERATION COMPARTMENT – COMMON PARTS



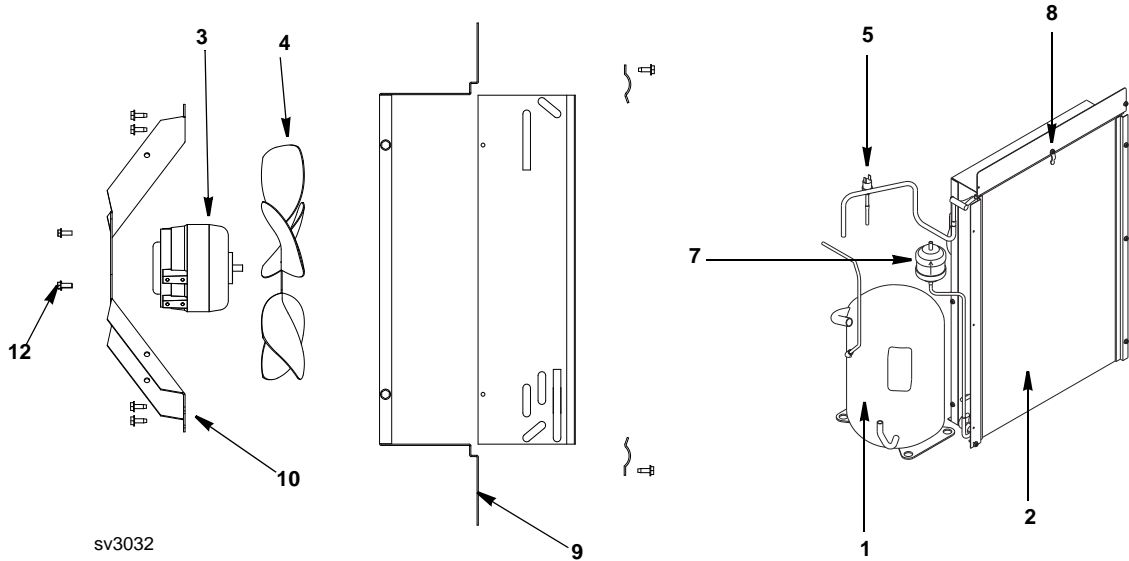
DESCRIPTION

		PART NO.
1	Compressor	
	a. 115V/60 Hz/1 Ph	76-0134-3
	b. 208-230V/50-60 Hz/1 Ph	76-0135-3
2	Water Dump Valve	
	a. 115V/60 Hz	000001767
	b. 208-230V/50-60 Hz	000001768
	Dump Valve Rebuild Kit	No Longer Available
3	Harvest Valve Including Electrical Coil	
	a. 115V/60 Hz	76-3001-1
	b. 208-230V/50-60 Hz	76-3007-1
	Harvest Valve Coil Only	
	a. 115V/60 Hz	000005156
	b. 208-230V/50-60 Hz	000005157
4	Water Inlet Valve with Coil	
	a. 115V/60 Hz	000000375
	b. 208-230V/50/60 Hz	000000376
5	Expansion Valve	
	a. Water	76-0290-3
	b. Air	76-0289-3
	c. Expansion Valve Body Insulation Boot	40-0036-3
	d. Expansion Valve Bulb Insulation Boot	40-0720-3
6	Manifold Strainer (in front of hot gas valve)	82-5100-3
7	High Pressure Cut-out (Auto Reset)	20-0124-3
8	Electrical Box on Rear of Ice Machine	
	a. Box	606394-9
	b. Terminal Block 3 Pole	20-0614-3
	c. Groundscrew #10-24 x .50	52-0216-9
9	Compressor Compartment Wiring Harness	
	a. Water	20-0732-9
	b. Air	20-0731-9
10	Bin Switch	20-0681-9

Miscellaneous – Brackets, Screws, etc.

11	Dump Valve Mounting Bracket	606503-9
	a. Mounting Screws 12-16 x .5	50-1231-9
	b. Mounting Screws 10-24 x 3/8	52-0210-9
12	Water Inlet Valve Wing Adapter	87-0609-3
13	Water Inlet Valve Adapter Plastic Fitting	13-6096-3
14	Water Drain Female Wing Adapter	87-0608-3
15	Water Drain Clear Tubing, .625 ID x 12 inches	44-2038-3
16	Dump Valve Tubing (3.25 inches)	44-2038-3
17	Compressor Mounting Base	606026-9
18	Compressor Mounting Rubber Grommet	50-0089-9
19	Compressor Mounting Sleeve	50-0090-9
20	Compressor Mounting Screw 1/4-20 x 1 1/4	50-0499-9
21	Compressor Mounting Nut	50-0500-9
22	Compressor Wiring Harness (Not Shown)	20-0876-9
23	Clamp, Water Drain	56-5070-9
24	Clamp, Expansion Valve Bulb	56-5052-9
25	Copper Bulb Strap	30-0083-3
26	Screw, #10-24 x .50	52-0206-9
27	Left Corner Post	606343-9
28	Left Top Channel	606864-9
29	Right Corner Post (Not Shown)	606358-9
30	Right Top Channel (Not Shown)	607145-1
31	Insulated Tube (vinyl tubing from distribution tube to water pump & dump valve)	000003404
	a. Clamp .859/.989 ID	56-5060-3
	b. Clamp .799/.899 ID	56-5070-3
32	Water Inlet Valve Tubing (Not Shown)	44-2029-1
33	Connector (Water inlet valve)	50-0531-9
34	Water Inlet Valve Bracket	605845-9
35	Check Valve Replacement (includes water diverter, vinyl tubing & insulation)	000002472
36	Holder, Water Level Probe	20-0655-9
	a. Screw (mounts Water Level Probe Holder)	52-0206-9

S320 REFRIGERATION COMPARTMENT – AIR-COOLED



sv3032

pt1199

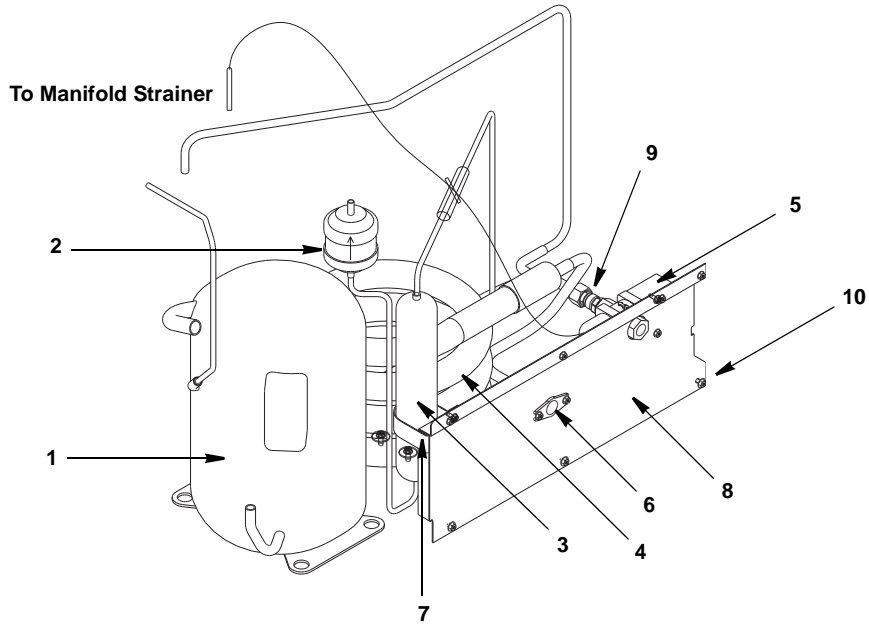
DESCRIPTION

	DESCRIPTION	PART NO.
1	Compressor (Refer to COMMON PARTS Page)	Page S320-4
2	Air Condenser	88-5130-3
3	Fan Motor	
	a. 115V/60 Hz	24-1281-3
	b. 208-230V/60 Hz or 230V/50 Hz	24-1282-3
4	Fan Blade	24-1622-3
5	Fan Cycling Control	20-0126-3
6	Air Filter (Not shown)	30-0569-9
7	Drier	89-3025-9

Miscellaneous – Brackets, Screws, etc.

8	Air Filter Clip	† 56-5069-9
9	Fan Shroud	606546-9
10	Fan Motor Mounting Bracket	602743-1
11	Fan Motor Mounting Screw	50-2559-9
12	Screw, #10-24 x .50	† 52-0206-9
13	Speednut	54-7507-9

S320 REFRIGERATION COMPARTMENT – WATER-COOLED



pt1200

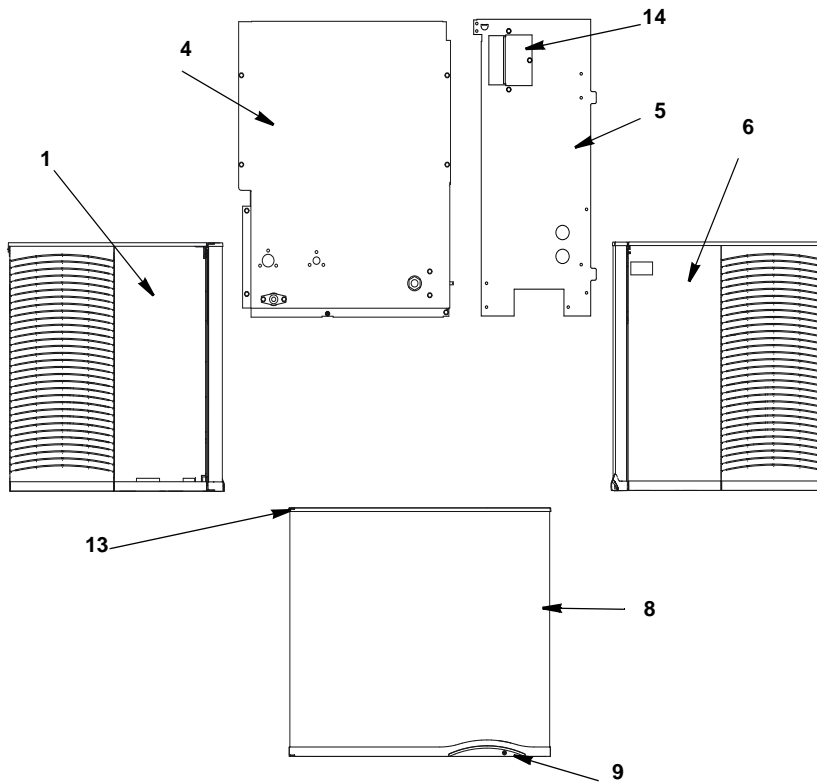
DESCRIPTION

	PART NO.
1 Compressor (Refer to COMMON PARTS Page)	Page S320-4
2 Drier	89-3025-9
3 Receiver	12-0003-1
4 Water-Cooled Condenser	000000045
5 Water Regulating Valve	83-7206-9
6 Water Drain Female Wing Adapter	87-0610-3

Miscellaneous – Brackets, Screws, etc.

7 Receiver Strap	600054-1
8 Back Panel	606366-9
9 Elbow 3/8 MF x 3/8 MPT	50-0215-9
10 Screw, #10-24 x .50	52-0206-3
11 Washer	55-7341-9
12 Base, Water Condenser/Receiver	605865-9

S320 PANELS



DESCRIPTION

DESCRIPTION	PART NO.
1 Left Side Panel	606053-9
2 Air Baffle (Not Shown)	606077-9
3 Air Filter (Not Shown)	30-0569-9
4 Back Panel, Water	606369-9
5 Back Panel, Air	606360-9
6 Right Side Panel	606052-9
7 Top Cover (Not Shown)	40-1202-9
8 Front Door	606344-1

Miscellaneous – Brackets, Screws, etc.

9 Right/Left Door Screw	50-0489-9
10 Front Top Support (Not shown)	30-0573-9
a. Mounting Screw Left Side 8-32 x 1	50-0537-9
b. Front Cover Strike	30-0602-9
11 Bottom Door Frame (Not Shown)	76-0282-9
a. Mounting Screw Left Side 8-32 x 1	50-0509-9
b. Mounting Screw Right Side 10 x 24 x .50 PHIL.	52-0209-9
12 Door Catch Bracket (RHD)	40-1265-9
a. Mounting Screw 8-32 x .875 Phil.	50-0489-9
13 Left Door Pivot Leaf Hinge (Top or Bottom)	30-0557-9
a. Mounting Screw 10-24 x .5 TCS-23 PHIL/FL	50-0537-9
14 Electrical Connection Box Cover	606399-9
15 Sachet Holder (Not Shown - Inside Left Door)	40-0459-3
a. Mounting Screws 8-32 x 3/8	50-0479-9