



Ice Machine Parts List for Series S300 Models

SD0302A

SY0304A

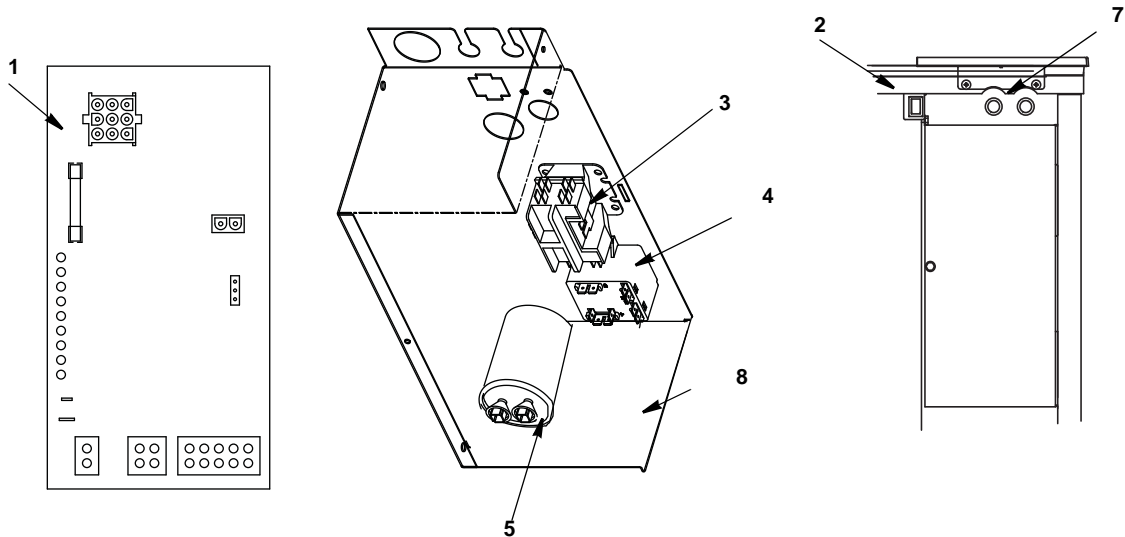
SD0303W

SY0305W

SR0300A

SR0301W

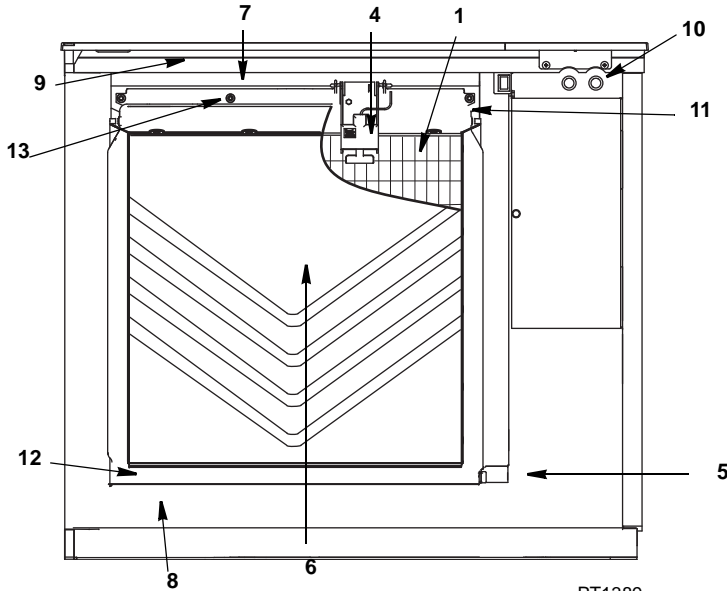
S300 CONTROL BOX



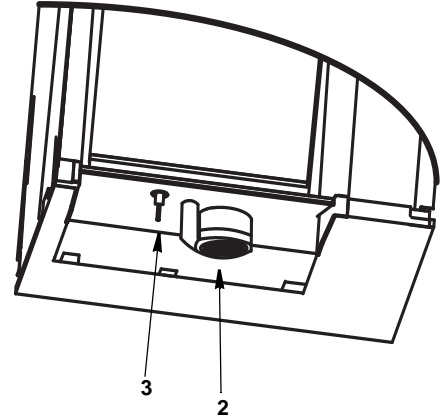
PT1388

1	Control Board (for use with all voltages)	20-0619-9
	a. 7 Amp Fuse – Mounted on Control Board	25-1100-3
2	Toggle Switch Only	20-0793-9
	a. Toggle Switch Wiring Harness	20-0807-9
	b. Toggle Switch Box	40-1163-9
3	Contactors	
	a. 115V/60 Hz/1 Ph.	20-0658-9
	b. 208-230V/60 Hz/1 Ph or 230V/50 Hz/1 Ph	20-0659-9
4	Start Potential Relay (After Serial Number 110704351)	
	a. 115V/60 Hz/1 Ph.	000002671
	b. 208-230V/60 Hz/1 Ph or 230V/50 Hz/1 Ph	20-0792-9
4	Start Potential Relay (Before Serial Number 110704351)	
	a. 115V/60 Hz/1 Ph.	20-0205-3
	b. 208-230V/60 Hz/1 Ph or 230V/50 Hz/1 Ph	20-0210-3
5	Compressor Start Capacitor (After Serial Number 110704351)	
	a. 115V/60 Hz/1 Ph.	20-0048-3
	b. 208-230V/50/60 Hz/1 Ph)	000000022
5	Compressor Start Capacitor (Before Serial Number 110704351)	
	a. 115V/60 Hz/1 Ph.	85-0577-3
	b. 208-230V/50/60 Hz/1 Ph)	85-0372-3
6	Compressor Run Capacitor (After Serial Number 110704351)	
	a. 115V/60 Hz/1 Ph.	20-1014-3
	b. 208-230V/50/60 Hz/1 Ph)	20-0949-3
7	Refrigeration Service Valve Assembly	83-7326-3
Miscellaneous – Brackets, Screws, etc.		
8	Control Box.	76-0214-3
	a. Control Box Cover (Not shown)	76-0215-3
9	Start Potential Relay Mounting Screw #6 x 3/8	50-0412-3
10	Control Board Mounting Supports (Not shown)	43-0225-3
11	Capacitor Mounting	
	a. Strap (Before Serial Number 110704351)	602495-3
	b. Bracket (After Serial Number 110704351)	602160-1
12	Screw, #10-24 x .50 Ground.	52-0216-9
	a. Star Washer	55-7320-9
13	Screw, #10-24 x .50	52-0206-9
14	Control Box Wiring Harness (Before Serial Number 110704351)	
	a. 115/60/1	20-0815-9
	b. 230/50/1	20-0817-9
	c. 230/60/1	20-0816-9
15	Control Box Wiring Harness (After Serial Number 110704351)	
	a. 115/60/1	20-0827-3
	b. 230/50/1	20-0829-3
	c. 230/60/1	20-0828-3

S300 EVAPORATOR COMPARTMENT



PT1389

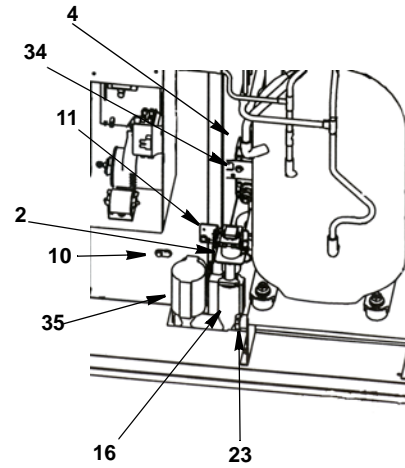
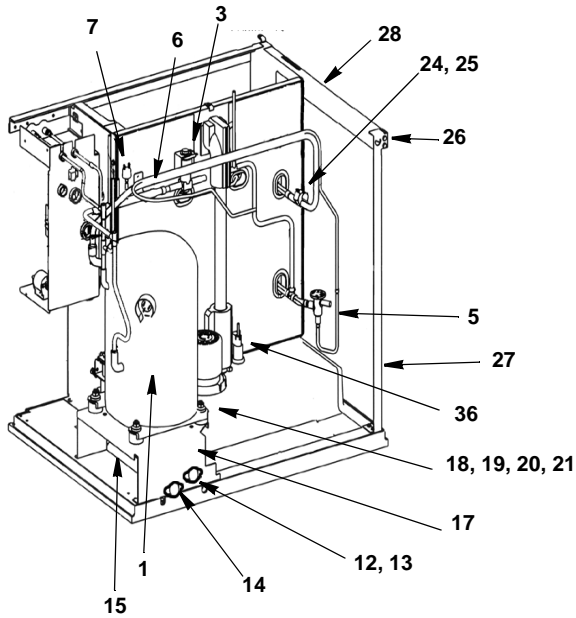


PT1390

DESCRIPTION

	PART NO.
1 Evaporator Assembly	
a. Dice Cube	76-0269-9
b. Half Dice Cube	76-0270-9
2 Water Pump	
a. 115V/60/1PH.	20-0767-9
b. 230V/50/1PH.	20-0766-9
c. 230V/60/1PH.	20-0765-9
3 Water Level Probe	20-0654-9
a. Wire, control box to probe.	20-0798-9
4 Ice Thickness Control Probe	20-0802-9
5 Magnetic Bin Switch	20-0681-9
6 Water Curtain	40-1114-9
7 Water Distribution Assembly	76-0219-3
a. O-Rings (Back of Distribution Assembly)	50-0464-9
8 Water Trough	
a. After Serial Number 110704351	000002106
b. Before Serial Number 110704351.	40-0360-9
9 Evaporator Top Filler Panel	40-0846-9
a. Filler Panel Bracket.	606496-9
b. Bracket Screw.	52-0209-9
10 Access Valve	83-7326-3
11 Evaporator Top Frame Assembly	76-0220-3
12 Water Diverter	76-0221-3
a. Thumbscrew	53-0512-3
Miscellaneous – Brackets, Screws, etc.	
13 Screw, (Water Distribution Tube Mounting) Each	50-0479-9
a. O-Ring.	50-0462-9
14 Screw, #10-24 x .5 (Used to Mount Evaporator) Each.	50-0461-9
15 Water Pump Base O-Ring	50-0465-9
16 Water Pump Outlet O-Ring	50-0467-9
17 Vinyl Tubing 0.625 ID (dump valve to drain adapter)	000001382
a. Insulation.	603883-1

S300 REFRIGERATION COMPARTMENT – COMMON PARTS



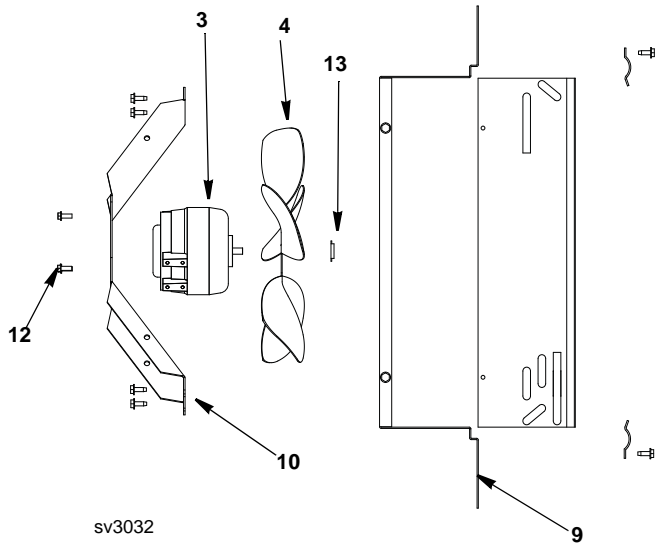
DESCRIPTION

		PART NO.
1	Compressor (Before Serial Number 110704351)	
	a. 115V/60 Hz/1 Ph.	76-0136-3
	b. 208-230V/50 Hz/60 Hz/1 Ph.	76-0137-3
1	Compressor (After Serial Number 110704351)	
	a. 115V/60 Hz/1 Ph.	000003921
	b. 208-230V/50 Hz/60 Hz/1 Ph.	000003922
2	Water Dump Valve	
	a. 115V/60 Hz.	000001767
	b. 208-230V/50-60 Hz.	000001768
	Dump Valve Rebuild Kit	No Longer Available
3	Harvest Valve Including Electrical Coil Danfoss	
	a. 115V/60 Hz.	76-3001-1
	b. 208-230V/50-60 Hz.	76-3007-1
	Harvest Valve Coil Only Danfoss	
	a. 115V/60 Hz.	000005156
	b. 208-230V/50-60 Hz.	000005157
4	Water Inlet Valve with Coil (After Serial Number 110704351)	
	a. 115V/60 Hz.	000000375
	b. 208-230V/50/60 Hz.	000000376
4	Water Inlet Valve with Coil (Before Serial Number 110704351)	
	a. 115V/60 Hz.	000007965
	b. 208-230V/50/60 Hz.	000007966
5	Expansion Valve	76-0017-3
	a. Expansion Valve Body Insulation Boot	40-1340-3
	b. Expansion Valve Bulb Insulation Boot	40-0720-3
6	Manifold Strainer (in front of harvest valve)	82-5100-3
7	High Pressure Cut-out (Auto Reset).	20-0124-3
8	Electrical Box on Rear of Ice Machine	606398-9
	a. Cover - Connection Box	606397-9
	b. Terminal Block 3 Pole	20-0614-3
	c. Groundscrew #10-24 x .50	52-0216-9
9	Compressor Compartment Wiring Harness	
	a. Water	20-0732-9
	b. Air	20-0731-9
10	Bin Switch.	20-0681-9

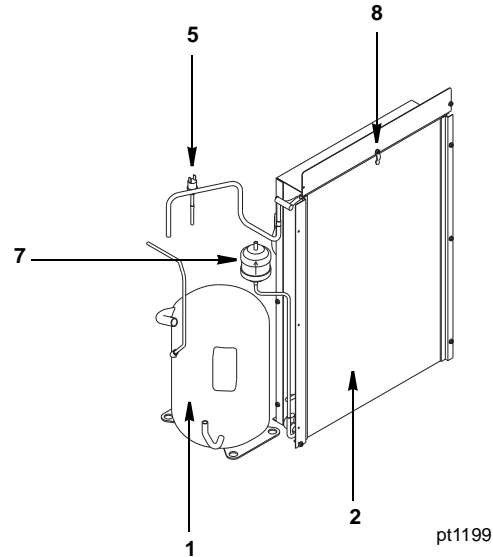
Miscellaneous – Brackets, Screws, etc.

11	Dump Valve Mounting Bracket	605845-9
12	Water Inlet Valve Wing Adapter	87-0609-3
13	Water Inlet Valve Wing Adapter Plastic Fitting	13-6096-1
14	Water Drain Female Wing Adapter	87-0608-3
15	Water Drain Clear Tubing, .625 ID x 12 inches	44-2038-3
16	Dump Valve Tubing (3.25 inches)	44-2038-3
17	Compressor Mounting Base	606170-9
18	Compressor Mounting Rubber Grommet	50-0089-9
19	Compressor Mounting Sleeve	50-0090-9
20	Compressor Mounting Bolt 1/4-20 x 1 1/4	50-0499-3
21	Compressor Mounting Nut	50-0500-3
22	Compressor Wiring Harness (Not Shown)	20-0855-3
23	Clamp, Water Drain	56-5070-9
24	Clamp, Expansion Valve Bulb	56-5052-9
25	Copper Bulb Strap	30-0083-3
26	Screw, #10-24 x .50	52-0206-9
27	Left Corner Post	605837-1
28	Left Top Channel	606864-9
29	Right Corner Post (Not Shown)	606350-1
30	Right Top Channel (Not Shown)	606257-9
31	Insulated Tube (vinyl tubing from distribution tube to water pump & dump valve)	000003403
	a. Clamp .859/.989 ID	56-5060-3
	b. Clamp .799/.899 ID	56-5070-3
32	Water Inlet Valve Tubing (Not Shown)	40-1043-9
33	Connector (Water inlet valve)	13-6098-9
34	Water Inlet Valve Bracket	605845-9
35	Check Valve Replacement (includes water diverter, vinyl tubing & insulation)	000002473
36	Holder, Water Level Probe	20-0655-9
	a. Screw (mounts Water Level Probe Holder)	52-0206-9

S300 REFRIGERATION COMPARTMENT – AIR-COOLED



sv3032



pt1199

DESCRIPTION

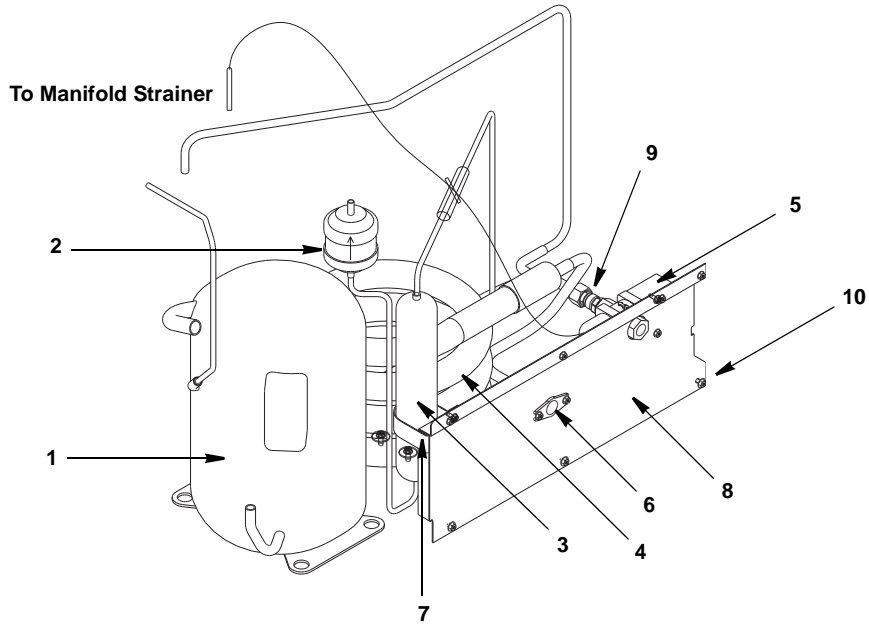
	PART NO.
1 Compressor (Refer to COMMON PARTS Page)	Page S300-4
2 Air Condenser	88-5130-3
3 Fan Motor	
a. 115V/60 Hz	24-1281-3
b. 208-230V/60 Hz or 230V/50 Hz	24-1282-3
4 Fan Blade	24-1622-3
5 Fan Cycling Control	20-0126-3
6 Air Filter (Not shown)	30-0569-9
7 Drier	89-3025-9

Miscellaneous – Brackets, Screws, etc.

8 Air Filter Clip	† 56-5069-9
9 Fan Shroud	605839-1
10 Fan Motor Mounting Bracket	602743-1
11 Fan Screw #8-36 x 7/16	50-2559-9
12 Fan Screw #10-24 x 1/2	52-0206-9
13 Speed Nut 1/4 20	54-7507-9

† Refer to Cross Reference Guide

S300 REFRIGERATION COMPARTMENT – WATER-COOLED



pt1200

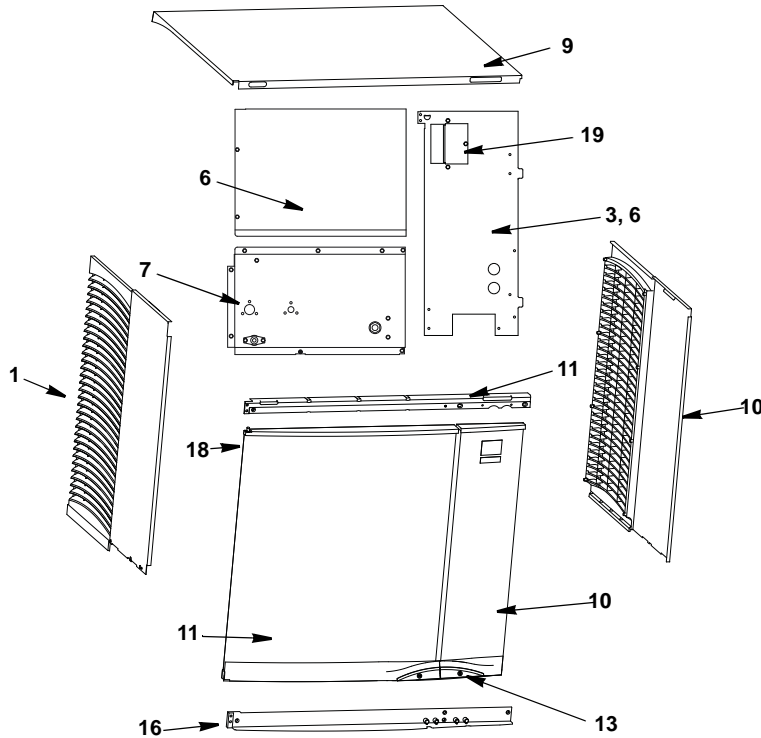
DESCRIPTION

	PART NO.
1 Compressor (Refer to COMMON PARTS Page)	Page S300-4
2 Drier	89-3025-9
3 Receiver	12-0003-1
4 Water-Cooled Condenser	000000045
5 Water Regulating Valve	83-7206-9
6 Water Drain Female Wing Adapter	87-0610-3

Miscellaneous – Brackets, Screws, etc.

7 Receiver Strap	600054-1
8 Back Panel	606173-9
9 Elbow 3/8 MF x 3/8 MPT	50-0215-9
10 Screw, #10-24 x .50	52-0206-9
11 Washer	55-7341-9
12 Base, Water Condenser/Receiver	605865-9

S300 PANELS



DESCRIPTION

	PART NO.
1 Left Side Panel	606051-9
2 Right Side Panel	606050-9
Air-Cooled Back Panels)	
3 Back Panel with Electrical Connection Box, Air-cooled Models	606087-9
4 Air Filter (Not Shown)	30-0569-9
5 Air Baffle (Not Shown)	606106-9
Water-Cooled Back Panels)	
6 Back Panel, Water-cooled Models	606104-9
7 Back Coupling Panel, Water Connections	606173-9
Aluminum Front Top Support on machine (replace all)	
8 Top Cover	000006699
9 Right Door	607162-1
10 Left Door	607159-1
11 Front Top Rail	000000295
Mounting Screw Left Side 8-32 x 1	50-0537-9
Mounting Screw Right Side 10-24 x.50	50-0509-9
Plastic Front Top Support on machine (replace as needed)	
9 Top Cover	000006699
10 Right Door	607162-1
11 Left Door	607159-1
12 Front Top Rail	000000295
Mounting Screw Left Side 8-32 x 1	50-0537-9
Mounting Screw Right Side 10-24 x.50	50-0509-9
Miscellaneous – Brackets, Screws, etc.	
13 Right/Left Door Screw	50-0489-9
14 Left Door Endcaps	
a. Top	40-1511-3
b. Bottom	40-1512-3
15 Right Door Endcaps	
a. Top	40-1514-3
b. Bottom	40-1515-3
16 Bottom Door Frame	76-0226-3
a. Mounting Screw Left Side 8-32 x 1	50-0537-9
b. Mounting Screw Right Side 10 x 24 x .50 PHIL	52-0209-9
17 Door Catch Bracket (RHD)	606236-9
a. Mounting Screw 8-32 x .50 Phil	50-2624-9
18 Left Door Pivot Leaf Hinge (Top or Bottom)	30-0557-9
a. Mounting Screw 10-24 x .5 TCS-23 PHIL/FL	50-0537-9
19 Electrical Connection Box Cover	606397-9
20 Sachet Holder (Not Shown - Inside Left Door)	40-0459-3
a. Mounting Screws 8-32 x 3/8	50-0479-9