



## **Ice Machine Parts List for Series Q210 Models**

**QR0210A**

**QD0213W**

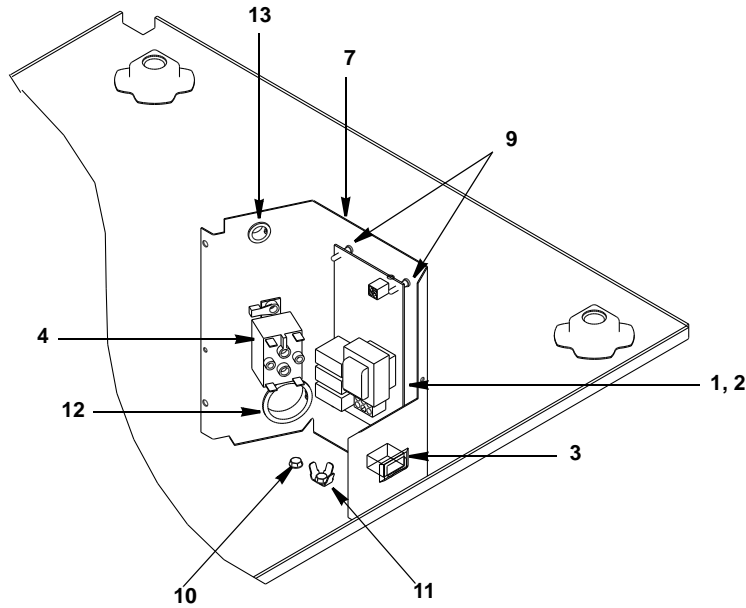
**QR0211W**

**QY0214A**

**QD0212A**

**QY0215W**

## Q210 CONTROL BOX

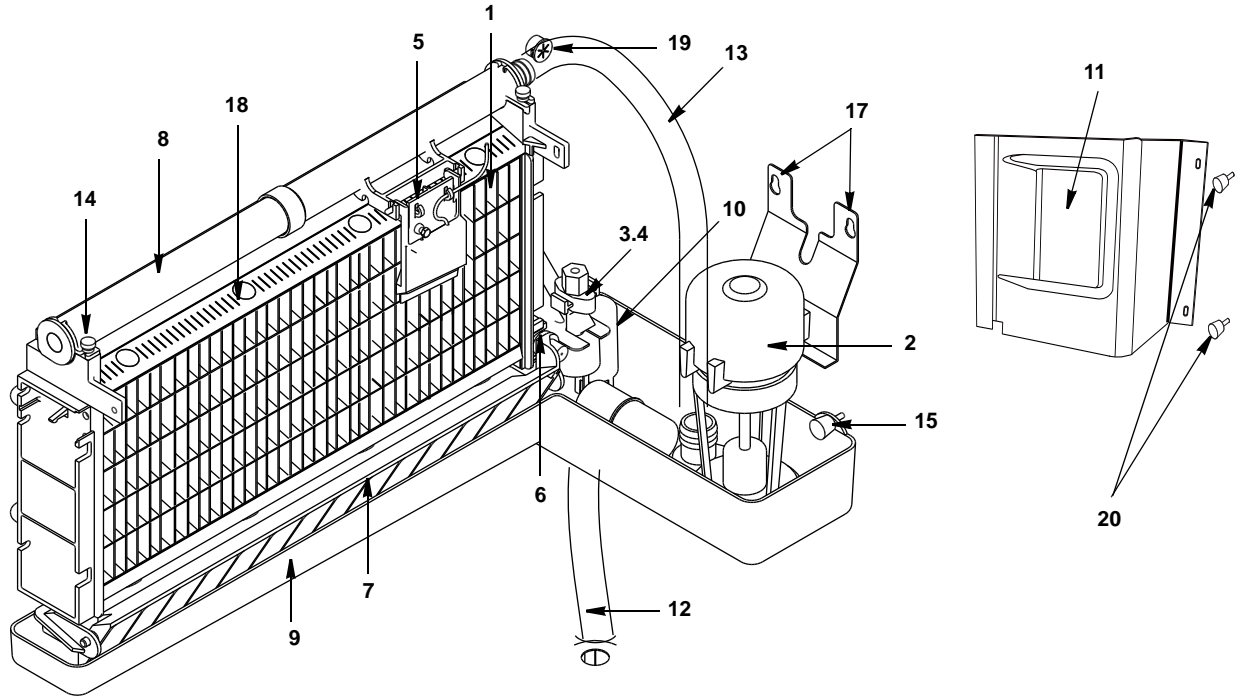


### DESCRIPTION

	DESCRIPTION		PART NO.
1	Control Board (for use with all voltages) . . . . .	†	76-2907-3
2	10 Amp Fuse – Mounted on Control Board . . . . .		25-1149-3
3	<b>Toggle Switch</b> Only . . . . .		23-0151-3
	a. Wiring Harness for Toggle Switch . . . . .		20-3248-3
4	<b>Contactor</b>		
	a. 115V/60 Hz/1 Ph . . . . .		24-1029-3
	b. 230V/50/60 Hz/1 Ph . . . . .		24-1028-3
5	<b>Wiring Harness</b>		
	a. Air-Cooled (Not shown) . . . . .		20-0218-3
	b. Water-Cooled (Not shown) . . . . .		20-0219-3
	c. Ice Thickness Control Probe Wire Lead (Not shown) . . . . .		20-0701-3
6	<b>Power Cord</b>		
	a. 125V/60 Hz (Not shown) . . . . .		20-0686-3
	b. 230V/60 Hz (Not shown) . . . . .		20-0687-3
	c. 230V/50 Hz (Not shown) . . . . .		20-3302-3
<b>Miscellaneous – Brackets, Screws, etc.</b>			
7	Control Box . . . . .	†	60-4693-1
8	Control Box Cover (Not shown) . . . . .		76-2908-3
9	Control Board Mounting Supports . . . . .		43-0225-3
10	<b>Screw</b>		
	a. Screw, #10-24X1/4 . . . . .		52-0232-3
	b. Lockwasher, #10 . . . . .		55-7320-3
11	<b>Screw</b>		
	a. Screw, #10-24X1/4 . . . . .		52-0232-3
	b. Lockwasher, #10 . . . . .		55-7320-3
	c. Male Tab Terminal . . . . .		20-3248-3
12	Bushing, SB1500-21/2240 . . . . .	†	25-0013-9
13	Bushing, SB625-8/2073 . . . . .	†	25-0218-9

† Refer to Cross Reference Guide

## Q210 EVAPORATOR COMPARTMENT



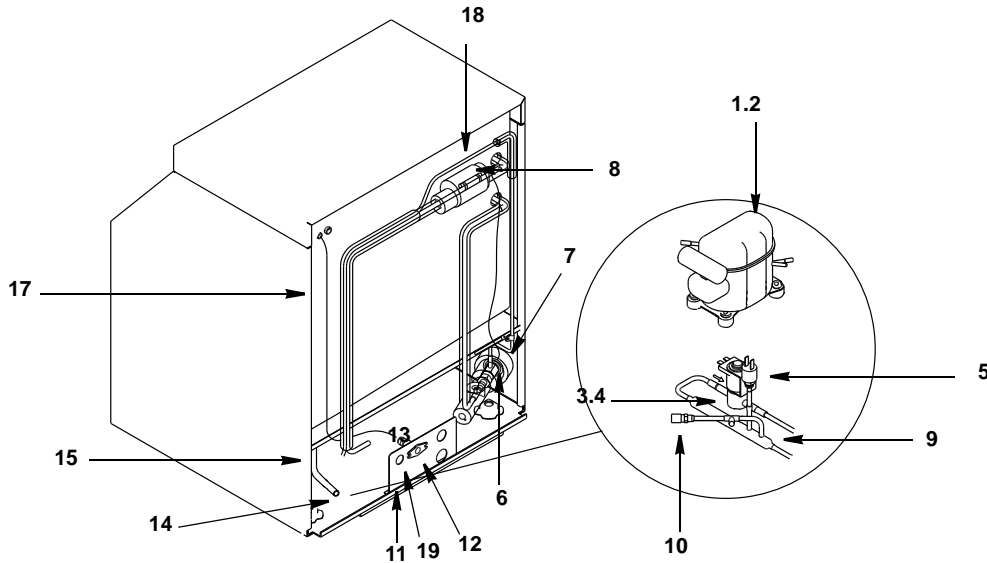
### DESCRIPTION

### PART NO.

<b>1 Evaporator Assembly</b>	
a. Regular Cube . . . . .	† 76-2954-9
b. Dice Cube . . . . .	† 76-2955-9
c. Half Dice Cube . . . . .	† 76-2956-9
<b>2 Water Pump</b>	
a. 115V/60 Hz . . . . .	† 76-2306-3
b. 208-230V/60 Hz or 230V/50 Hz(before 310151004) . . . . .	† 76-2601-3
c. 208-230V/60 Hz or 230V/50 Hz(after 310151004) . . . . .	040000945
<b>3 Float Valve (Complete Assembly) - Up to Serial Number 031100000</b>	† 76-0213-3
<b>4 Float Valve (Complete Assembly) - After Serial Number 031100000</b>	83-6904-9
a. Float Valve Screen . . . . .	83-6906-9
b. Float Valve Plunger . . . . .	83-6908-9
c. Float Valve Compression Nut . . . . .	56-5072-9
<b>5 Ice Thickness Control Probe</b>	† 76-0160-3
<b>6 Magnetic Bin Switch (Mounted to Evaporator)</b>	† 23-0148-3
<b>7 Ice Damper</b>	† 76-0048-3
a. Ice Damper Magnet and Cap . . . . .	76-2909-3
<b>8 Water Distribution Tube</b>	† 76-2498-3
<b>9 Water Trough</b>	43-0386-3
<b>10 Siphon Cap</b>	43-0222-3
<b>11 Water Pump Cover(115V)</b>	000006754
<b>Miscellaneous – Brackets, Screws, etc.</b>	
<b>12 Drain Tube</b>	† 76-0085-3
<b>13 Tubing (Water Pump Out)</b>	40-1205-3
<b>14 Screw, #8-32 x .375 Nylon Water Distribution Tube Mounting</b>	† 53-0511-3
<b>15 Thumbscrew, #8-32 x .438</b>	53-0512-3
<b>16 Screw, #10-24 x .750 - Used to Mount Evaporator (Not Shown)</b>	52-0218-9
<b>17 Screw, #10-24 x .50</b>	† 52-0206-9
<b>18 Evaporator Top Molding And Gasket Assembly</b>	76-2621-3
<b>19 Bushing (Ice Thickness Probe Wire)</b>	† 25-0016-9
<b>20 Thumbscrew</b>	040001217

† Refer to Cross Reference Guide

## Q210 REFRIGERATION COMPARTMENT – COMMON PARTS



### DESCRIPTION

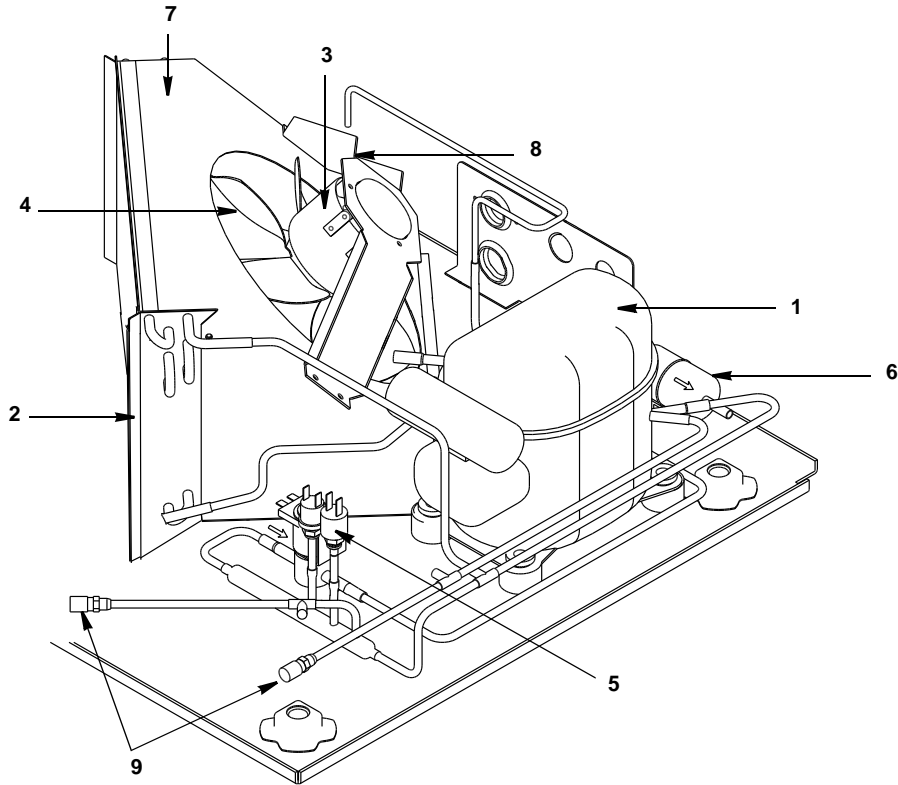
### PART NO.

**NOTE:** Replace a Tecumseh compressor/start components with a Tecumsh compressor/start components and a Danfoss compressor/start components with a Danfoss compressor/start components.  
**DO NOT INTERCHANGE COMPRESSORS OR START COMPONENTS.**

<b>1</b>	<b>Tecumseh Compressor</b>	
a.	115V/60 Hz/1 Ph . . . . .	† 76-2910-3
b.	208/230V 60 Hz/1 Ph . . . . .	† 76-2911-3
c.	224/240V 50Hz/1Ph . . . . .	76-2912-3
<b>2</b>	<b>Danfoss Compressor</b>	
a.	115V/ 60 Hz/1 Ph . . . . .	76-0132-3
b.	208/230V 50/60 Hz/1 Ph . . . . .	† 76-0133-3
<b>3</b>	<b>Hot Gas Valve(Up to SN 310061221 and except SN 310047046,310047047,310047494,310047710)</b>	
a.	Hot Gas Valve Including 115V 60 Hz Electrical Coil (Danfoss) . . . . .	† 76-3000-1
	Hot Gas Valve 115V Coil Only Danfoss . . . . .	000005156
	Hot Gas Valve 115V Coil Only Alco . . . . .	24-0436-3
b.	Hot Gas Valve Including 208/230V 50/60 Hz Electrical Coil (Danfoss) . . . . .	† 76-3006-1
	Hot Gas Valve 208/230V 50/60 Hz Coil Only Danfoss . . . . .	000005157
	Hot Gas Valve 208/230V 50/60 Hz Coil Only Alco . . . . .	† 24-0448-3
<b>4</b>	<b>Hot Gas Valve(After SN 310061221 and include SN 310047046,310047047,310047494,310047710)</b>	
a.	Hot Gas Valve Including 115V 60 Hz Electrical Coil . . . . .	040000689
	Hot Gas Valve 115V Coil Only . . . . .	040000101
	Bracket Hot Gas Valve . . . . .	040000104
b.	Hot Gas Valve Including 208/230V 50/60 Hz Electrical Coil . . . . .	040000690
	Hot Gas Valve 208/230V 50/60 Hz Coil Only . . . . .	040000103
	Bracket Hot Gas Valve . . . . .	040000104
<b>5</b>	High Pressure Cut-out . . . . .	† 20-0124-3
<b>6</b>	Expansion Valve . . . . .	† 76-0017-3
<b>7</b>	Expansion Valve Body Insulation Boot	
a.	Alco . . . . .	40-0721-3
b.	Danfoss . . . . .	40-0036-3
<b>8</b>	Expansion Valve Bulb Insulation Boot . . . . .	40-0720-3
<b>9</b>	Manifold Strainer (in front of hot gas valve) . . . . .	82-5106-3
<b>10</b>	Access Valve . . . . .	83-7325-3
<b>Miscellaneous – Brackets, Screws, etc.</b>		
<b>11</b>	Bracket (Water/Electrical Inlet) . . . . .	60-2682-1
<b>12</b>	Water Inlet Female Wing Adapter . . . . .	† 87-0609-3
<b>13</b>	Male Connector 1/4" OD x 1/8" NTPF . . . . .	13-6096-1
<b>14</b>	Bin Drain Female Wing Adapter after Serial Number 980860665 . . . . .	87-0613-3
<b>15</b>	Bin Drain Tubing (Molded)	
a.	Up To Serial Number 980860665 . . . . .	44-2085-3
b.	After Serial Number 980860665 . . . . .	44-2098-3
<b>16</b>	Bin Drain Hose Clamp (Not shown) . . . . .	† 56-5064-9
<b>17</b>	Water Inlet Tubing . . . . .	44-2029-1
<b>18</b>	Clamp, Expansion Valve Bulb . . . . .	† 56-5052-9
<b>19</b>	Screw, #10-24 x .50 . . . . .	† 52-0206-9

† Refer to Cross Reference Guide

## Q210 REFRIGERATION COMPARTMENT – AIR-COOLED



### DESCRIPTION

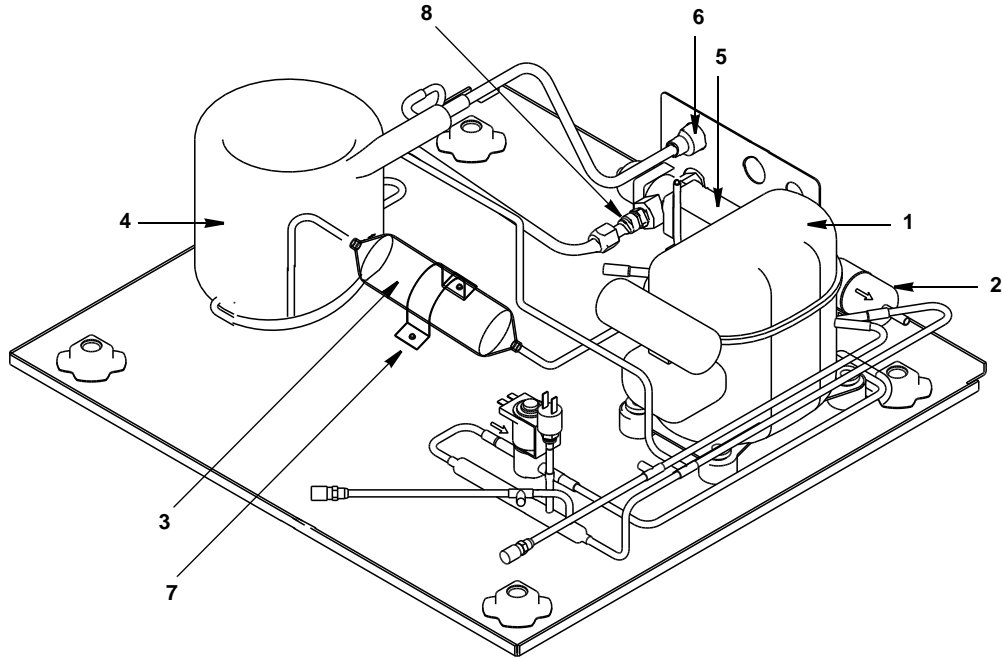
	DESCRIPTION	PART NO.
1	Compressor (Refer to COMMON PARTS Page) .....	Page 4
2	Air Condenser .....	88-5132-3
3	<b>Fan Motor</b>	
	a. 115V .....	20-0022-3
	b. 208-230V/60 Hz or 230V/50 Hz .....	20-0021-9
4	Fan Blade .....	30-0565-3
5	Fan Cycling Control .....	† 20-0127-3
6	Drier .....	† 89-3025-9

### Miscellaneous – Brackets, Screws, etc.

7	Fan Shroud .....	60-2685-1
8	Fan Motor Mounting Bracket .....	60-2743-1
9	Access Valve .....	83-7325-3

† Refer to Cross Reference Guide

## Q0210 REFRIGERATION COMPARTMENT – WATER-COOLED

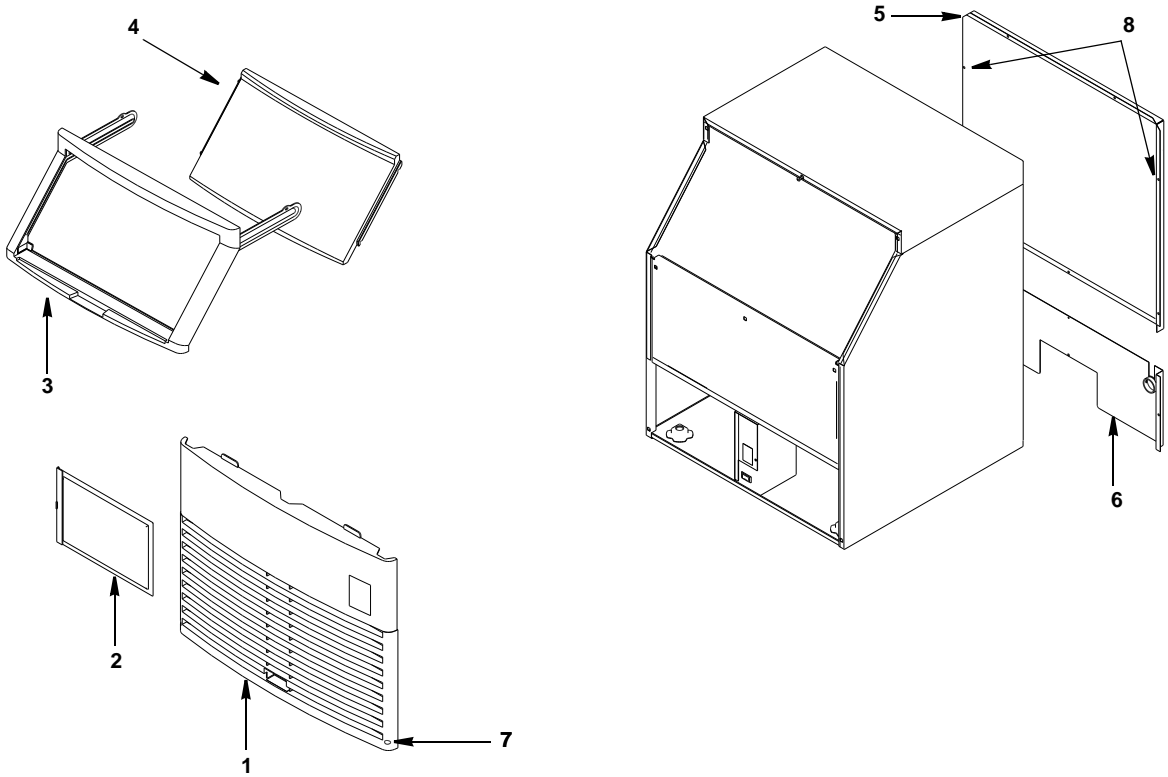


### DESCRIPTION

DESCRIPTION	PART NO.
1 Compressor (Refer to COMMON PARTS Page) .....	Page 4
2 Drier .....	89-3025-9
3 Receiver .....	12-0003-1
4 Water-cooled Condenser (use with Danfoss Compressor) .....	88-6532-3
a. Water-cooled Condenser (use with Tec Compressor) .....	88-6531-3
5 Water Regulating Valve .....	83-7210-3
6 Adapter, 1/2NPTx3/80DF .....	87-0610-3
<b>Miscellaneous – Brackets, Screws, etc.</b>	
7 Receiver Strap .....	60-0189-1
8 Water Coupling .....	83-3202-3

† Refer to Cross Reference Guide

## Q210 PANELS



**DESCRIPTION**

	<b>PART NO.</b>
1 Front Panel Assembly .....	76-2915-3
2 Air Filter .....	76-2914-3
3 Door Frame Assembly .....	76-2916-3
4 Bin Door* .....	† 43-0456-3
5 Back Panel, Upper .....	60-2680-1
6 Back Panel, Lower	
a. Up To Serial Number 980860665 .....	60-2717-1
b. After Serial Number 980860665 .....	60-3350-1

**Miscellaneous – Brackets, Screws, etc.**

7 Front Cover Screw .....	† 52-0223-9
8 Screw, #10-24 x .50 .....	† 52-0206-9
9 Ice Scoop (Not shown) .....	† 33-0260-3

\*If you are replacing a door with a “screw in” removable door pin, you must order door P/N 43-0456-3 and door frame P/N 76-2916-3. If you are replacing a door with a molded non-removable door pin, order door P/N 43-0456-3 only.