



Ice Machine Parts List for Series Q130 Models

QR0130A

QD0133W

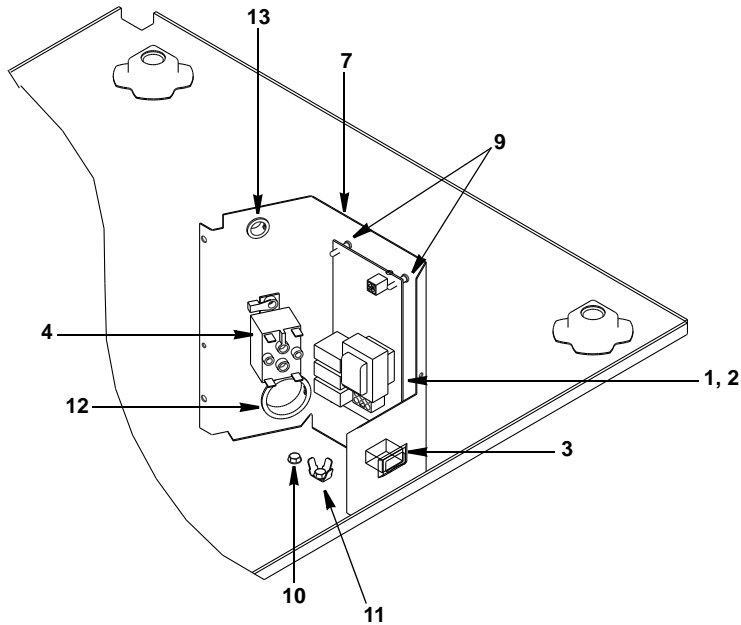
QR0131W

QY0134A

QD0132A

QY0135W

Q130 CONTROL BOX



DESCRIPTION

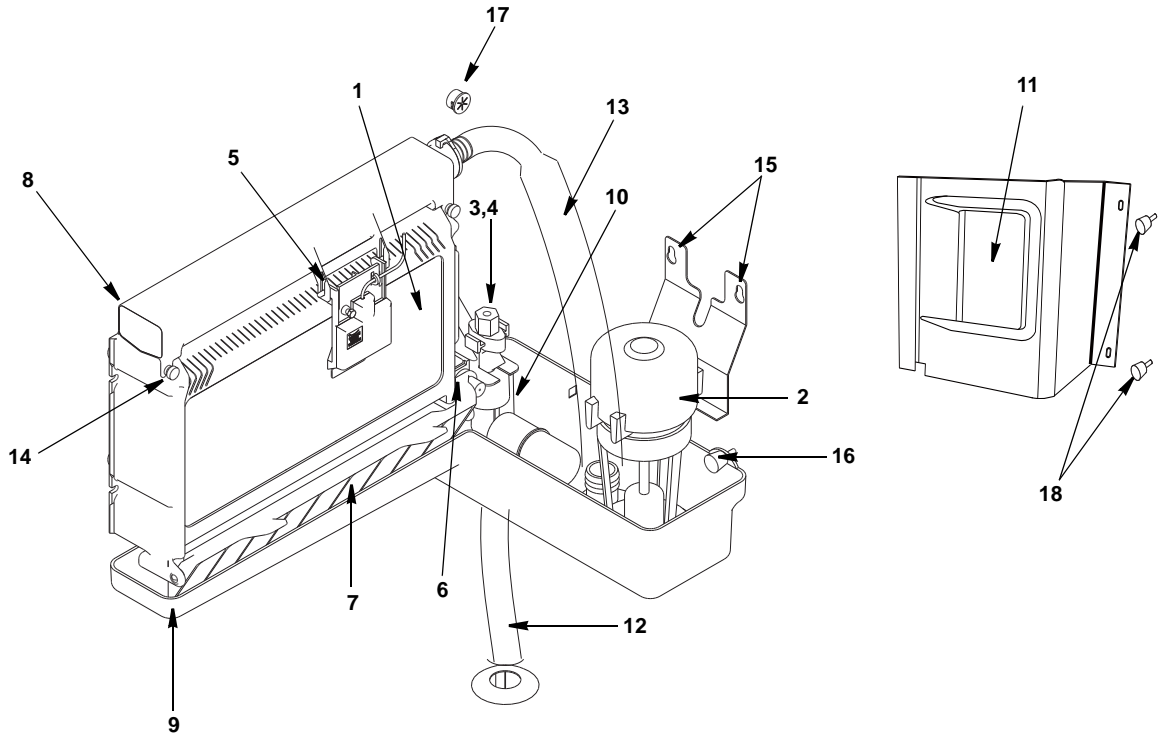
DESCRIPTION	PART NO.
1 Control Board (for use with all voltages)	†76-2907-3
2 10 Amp Fuse – Mounted on Control Board	25-1149-3
3 Toggle Switch Only	23-0151-3
a. Wiring Harness Only	20-3248-3
4 Contactor Kit	
a. 115V/60 Hz/1 Ph	24-1029-3
b. 230V/50/60 Hz/1 Ph	24-1028-3
5 Wiring Harness	
a. Air-Cooled (Not shown)	20-0218-3
b. Water-Cooled (Not shown)	20-0219-3
c. Ice Thickness Control Probe Wire Lead	20-0701-3
6 Power Cord	
a. 125V/60 Hz (Not shown)	20-0686-3
b. 230V/60 Hz (Not shown)	20-0687-3
c. 230V/50 Hz (Not shown)	20-3302-3

Miscellaneous – Brackets, Screws, etc.

7 Control Box	†60-4693-1
8 Control Box Cover (Not shown)	76-2908-3
9 Control Board Mounting Supports	43-0225-3
10 Screw	
a. Screw, #10-24X1/4	52-0232-3
b. Lockwasher, #10	55-7320-3
11 Screw	
a. Screw, #10-24X1/4	52-0232-3
b. Lockwasher, #10	55-7320-3
c. Male Tab Terminal	20-3248-3
12 Bushing, SB1500-21/2240	†25-0013-9
13 Bushing, SB625-8/2073	†25-0218-9

† Refer to Cross Reference Guide

Q130 EVAPORATOR COMPARTMENT

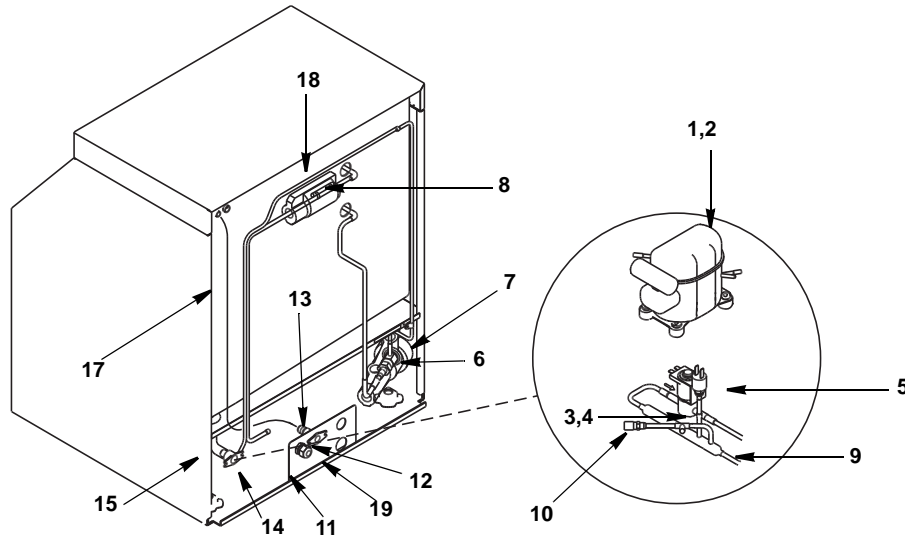


DESCRIPTION

	DESCRIPTION	PART NO.
1	Evaporator Assembly	
	a. Regular Cube	†76-2945-3
	b. Dice Cube	†76-2946-3
	c. Half Dice Cube	76-2947-3
2	Water Pump	
	a. 115V/60 Hz	†76-2306-3
	b. 208-230V/60 Hz or 230V/50 Hz(before 310145261)	†76-2601-3
	c. 208-230V/60 Hz or 230V/50 Hz(after 310145261)	040000946
3	Float Valve (Complete Assembly) - Up to Serial Number 031100000	†76-0213-3
4	Float Valve (Complete Assembly) - After Serial Number 031100000	83-6904-9
	a. Float Valve Screen	†83-6906-9
	b. Float Valve Plunger	†83-6908-9
	c. Float Valve Compression Nut	†56-5072-9
5	Ice Thickness Control Probe	†76-0160-3
6	Magnetic Bin Switch (Mounted to Evaporator)	†23-0148-3
7	Ice Damper	†76-0049-3
	a. Ice Damper Magnet and Cap	76-2909-3
8	Water Distribution Tube	43-0426-3
9	Water Trough	43-0412-3
10	Siphon Cap	43-0222-3
11	Water Pump Cover(115V)	000006754
Miscellaneous – Brackets, Screws, etc.		
12	Drain Tube	†76-0085-3
13	Tubing (Water Pump Out)	40-1205-3
14	Screw, #8-32 x .44 Nylon Water Distribution Tube Mounting	†53-0512-3
15	Screw, #10-24 x .50	†52-0206-9
16	Thumbscrew, #8-32 x .44	53-0512-3
17	Bushing (Ice Thickness Probe Wire)	†25-0016-9
18	Thumbscrew	040001217

† Refer to Cross Reference Guide

Q130 REFRIGERATION COMPARTMENT – COMMON PARTS



DESCRIPTION

PART NO.

NOTE: Replace a Tecumseh compressor/start components with a Tecumseh compressor/start components and a Danfoss compressor/start components with a Danfoss compressor/start components.

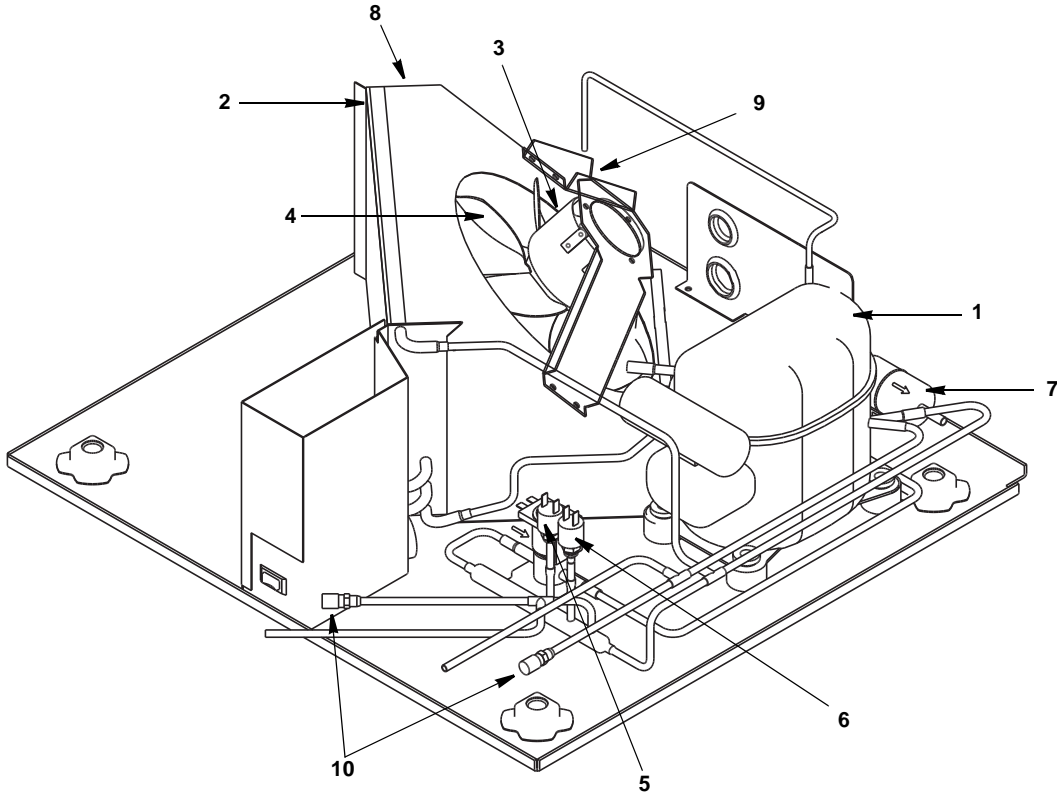
DO NOT INTERCHANGE COMPRESSORS OR START COMPONENTS.

1	Tecumseh Compressor - Before Serial Number 021100000	
a.	115V/60 Hz/1 Ph	†76-2910-3
b.	208/230V 60 Hz/1 Ph	†76-2911-3
c.	224/240V 50 Hz/1 Ph	†76-2912-3
2	Danfoss Compressor	
a.	115V/60 Hz/1 Ph - Before Serial Number 310047287	76-0132-3
	Relay, Current - W/Overload	20-0204-3
	Capacitor, Start	20-0203-3
b.	115V/60 Hz/1 Ph - After Serial Number 310047287	040000435
	Relay, Current - W/Overload	000002899
	Capacitor, Start	000002901
c.	208-240V/50-60 Hz/1 Ph - Before Serial Number 310062654	76-0133-3
	Relay, Current - W/Overload	20-0487-3
	Capacitor, Start	20-0486-3
d.	208-240V/50-60 Hz/1 Ph - After Serial Number 310062654	040000434
	Relay, Current - W/Overload	000002900
	Capacitor, Start	040000674
3	Hot Gas Valve(Up to SN 310061221 and except SN 310047701,310047696,310047699,310047698)	
a.	Hot Gas Valve Including 115V 60 Hz Electrical Coil Danfoss	†76-3000-1
	Hot Gas Valve 115V Coil Only Danfoss	000005156
b.	Hot Gas Valve Including 208/230V 50/60 Hz Electrical Coil Danfoss	†76-3006-1
	Hot Gas Valve 208/230V 50/60 Hz Coil Only Danfoss	000005157
4	Hot Gas Valve(After SN 310061221 and include SN 310047701,310047696,310047699,310047698)	
a.	Hot Gas Valve Including 115V 60 Hz Electrical Coil	040000689
	Hot Gas Valve 115V Coil Only	040000101
	Bracket Hot Gas Valve	040000104
b.	Hot Gas Valve Including 208/230V 50/60 Hz Electrical Coil	040000690
	Hot Gas Valve 208/230V 50/60 Hz Coil Only	040000103
	Bracket Hot Gas Valve	040000104
5	High Pressure Cut-out	†20-0124-3
6	Expansion Valve	
a.	115V/60Hz/1 Ph - Before Serial Number 310047287	†76-0050-3
b.	115V/60Hz/1 Ph - After Serial Number 310047287	040000594
c.	208-240V/50-60 Hz/1 Ph - Before Serial Number 310062654	†76-0050-3
d.	208-240V/50-60 Hz/1 Ph - After Serial Number 310062654	040000594
7	Expansion Valve Body Insulation Boot	
a.	Alco	40-0721-3
b.	Danfoss	40-0036-3
8	Expansion Valve Bulb Insulation Boot	40-0720-3
9	Manifold Strainer (in front of hot gas valve)	82-5106-3
10	Access Valve	83-7325-3

Miscellaneous – Brackets, Screws, etc.

11	Bracket (Water/Electrical Inlet)	60-2682-1
12	Water Inlet Female Wing Adapter	†87-0609-3
13	Male Connector 1/4" OD x 1/8" NTPF	13-6096-1
14	Bin Drain Female Wing Adapter.	87-0613-3
15	Bin Drain Tubing (Molded)	44-2098-3
16	Bin Drain Hose Clamp (Not shown)	†56-5064-9
17	Water Inlet Tubing .375 ID	44-2029-1
18	Clamp, Expansion Valve Bulb	†56-5052-9
19	Screw, #10-24 x .50	†52-0206-9

Q130 REFRIGERATION COMPARTMENT – AIR-COOLED



DESCRIPTION

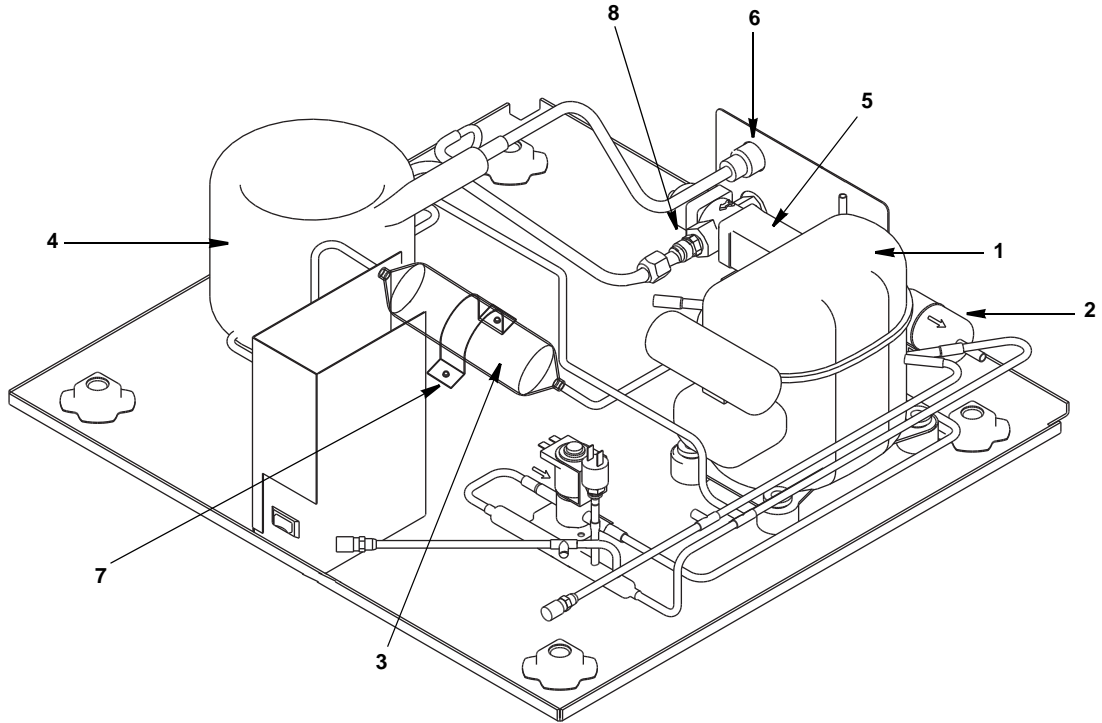
	DESCRIPTION	PART NO.
1	Compressor (Refer to COMMON PARTS Page)	Page 4
2	Air Condenser	88-5137-3
3	Fan Motor	
	a. 115V	20-0022-3
	b. 208-230V/60 Hz or 230V/50 Hz.	20-0021-9
4	Fan Blade	30-0565-3
5	Fan Cycling Control	†20-0126-3
6	High Pressure Cut-Out	20-0124-3
7	Drier	†89-3025-9

Miscellaneous – Brackets, Screws, etc.

8	Fan Shroud	60-2685-1
9	Fan Motor Mounting Bracket	60-2743-1
10	Access Valve	83-7325-3

† Refer to Cross Reference Guide

Q130 REFRIGERATION COMPARTMENT – WATER-COOLED



DESCRIPTION

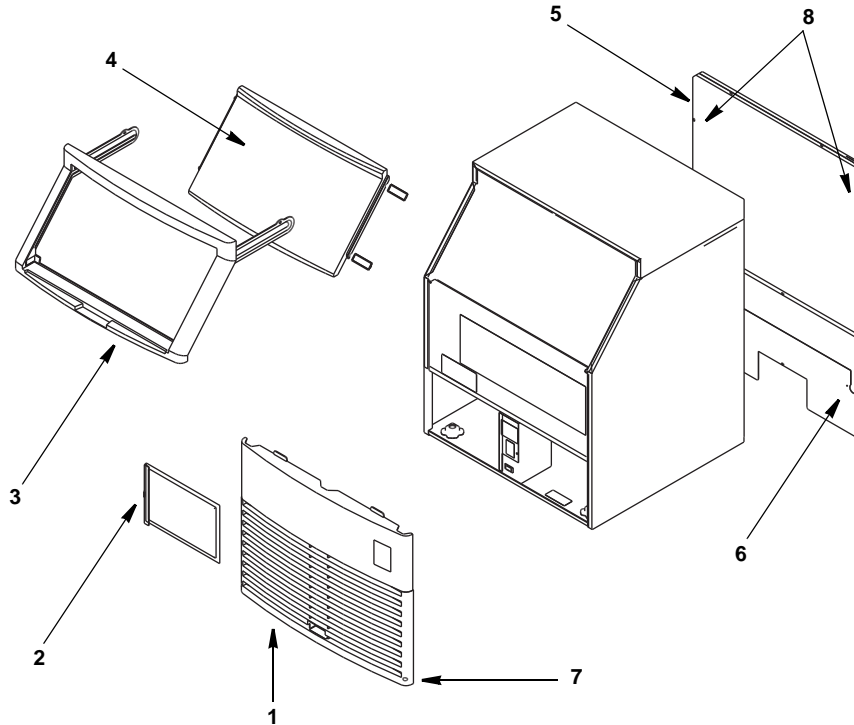
	PART NO.
1 Compressor (Refer to COMMON PARTS Page)	Page 4
2 Drier	† 89-3025-9
3 Receiver	12-0003-1
4 Water-cooled Condenser	88-6538-3
5 Water Regulating Valve	83-7210-3
6 Water Drain Female Wing Adapter	87-0610-3

Miscellaneous – Brackets, Screws, etc.

7 Receiver Strap	60-0189-1
8 Water Coupling	83-3202-3

† Refer to Cross Reference Guide

Q130 PANELS



DESCRIPTION

	DESCRIPTION	PART NO.
1	Front Panel Assembly	76-2915-3
2	Air Filter	76-2914-3
3	Door Frame Assembly	76-2916-3
4	Bin Door	† 43-0456-3
5	Back Panel, Upper	60-2680-1
6	Back Panel, Lower	60-3350-1

Miscellaneous – Brackets, Screws, etc.

7	Front Cover Screw	† 52-0223-9
8	Screw, #10-24 x .50	† 52-0206-9
9	Ice Scoop (Not shown)	† 33-0260-3