



MASTER SERIES
XG24-XPRESS GRILL GAS
CE VERSION

PARTS LIST

Toll Free Phone, (US & Canada): (800) 427-6668

Toll Free Fax, (US & Canada): (800) 361-7745

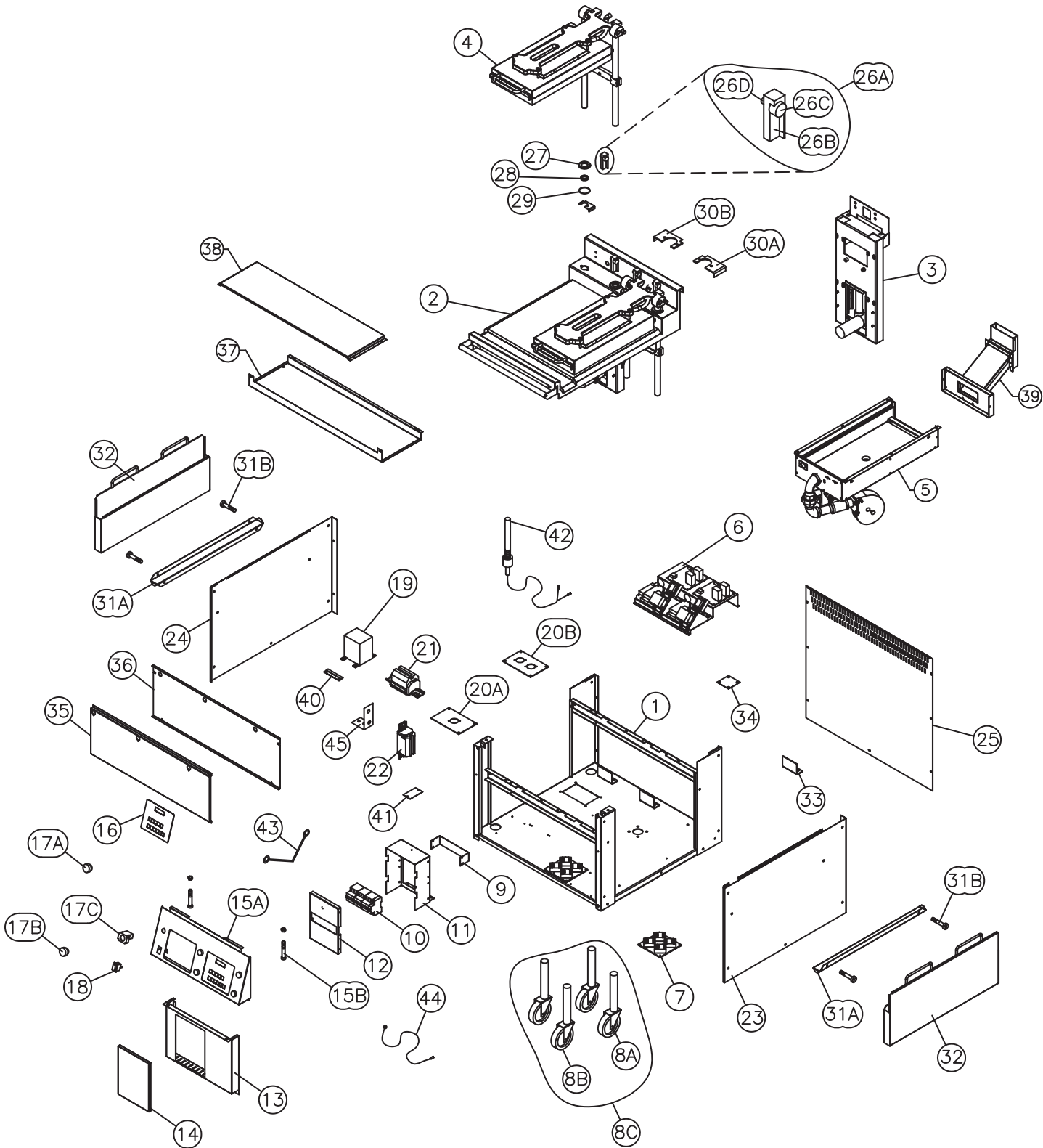
<http://www.garland-group.com>



MASTER SERIES XG24-XPRESS GRILL GAS CE VERSION

Contents:

Gas Xpress Grill Complete View	Page 4
Actuator Assembly	Page 8
Platen Assembly	Page 10
Buner Assembly	Page 12
Component Bracket Assembly	Page 14
Heat Sink Assembly.....	Page 16
Wirring Harness And Description Where Used	Page 18
Gas Tubing, Accessories And Tools	Page 19
Revision History	Page 20



XG24-CE#1

GARLAND PARTS IDENTIFICATION

Gas - Xpress Grill Complete Exploded View - Model: XG24-CE Version

ITEM	PART #	DESCRIPTION	QUANTITY	CRITICAL
1	4516708	Body Base Weld Assembly	1	
2	4516718	Plate Weld Assembly	1	
3	Page 8	Actuator Assembly	1 per zone	
4	Page 10	Platen Assembly	1 per zone	
5	Page 12	Burner Assembly	1 per zone	
6	Page 14	Component Bracket Assembly	1	
7	Page 16	Heat Sink Assembly	1 per zone	
8A	4516978	Caster, Nonlocking	2	
8B	4517563	Caster, Locking	2	
8C	4520678	Caster Kit - Locking & Nonlocking	1	
9	4516689	Circuit Support	1	
10	4517814	Circuit Brkr, 3 Pole	1	C
11	4516687	Circuit Box	1	
12	4516688	Circuit Cover	1	
13	4516685	Front Panel Lower	1	
14	4516686	Access Door	1	
15A	4516684	Front Panel Upper	1	
15B	8003219	MSCR-PH-PHIL 8-32 X ½ STL ZP	4	
	8001203	Nut - Hex - STL 8-32	4	
	8000202	LKWSHR - SPL-STL 8X1 9/64X3/64	4	
16	4516983	Fast Control	1 per zone	C
	4526131	Quick Pick Control Generic		
17A	1859604	Push Button (Black)	1 per zone	
17B	1859605	Push Button (Green)	1 per zone	
17C	1859606	Contact Block	2 per zone	C
18	1872404	Power Switch	1	C
19	1864001	Main Transformer	1	C
20A	1868904	Power Cord Plate	1	
20B	4526048	Strain Relief Adapter Plate	1	
21	4525397	Terminal Block, 10Mm	1	C
22	4516981	Terminal Block, 120V	1	C
23	4516105	Body Side, Right	1	
24	4516106	Body Side, Left	1	
25	4517393	Back	1	
26A	4520463	Arm Pivot Block Assembly	2 per zone	
26B	1856802	Arm Pivot Block	2 per zone	
26C	1854902	Cam Follower	2 per zone	
26D	1854903	Jam Nut	2 per zone	
27	4516098	Seal Cap	2 per zone	
28	4524292	Wiper Seal	2 per zone	C
29	4525256	O-Ring	2 per zone	C
30A	4520408	Seal Cap Bracket Lt	1 per zone	
30B	4520407	Seal Cap Bracket Rt	1 per zone	
31A	4516976	Grease Bucket Support	2	
31B	8000213	Lock Washer - SPL #1 0X0.334X.047 SS	4	
	8000338	Washer-FLT, 7/32 X 1/2, SS	4	
	8003143	MSCR-TH-PHIL 10-24 X 1-1/4 18-8	4	
32	4516308	Grease Bucket BA	2	
33	4516977	Actuator Base Brace	1 per zone	
34	4517394	Gas Inlet	1	
35	4517388	Front Heat Shield, Outer	1	
36	4517389	Front Heat Shield, Inner	1	
37	4517390	Burner Heat Shield, Lower	1	
38	4517391	Burner Heat Shield, Upper	1	

* NOT ILLUSTRATED

RECOMMENDED STOCK PARTS

GARLAND PARTS IDENTIFICATION

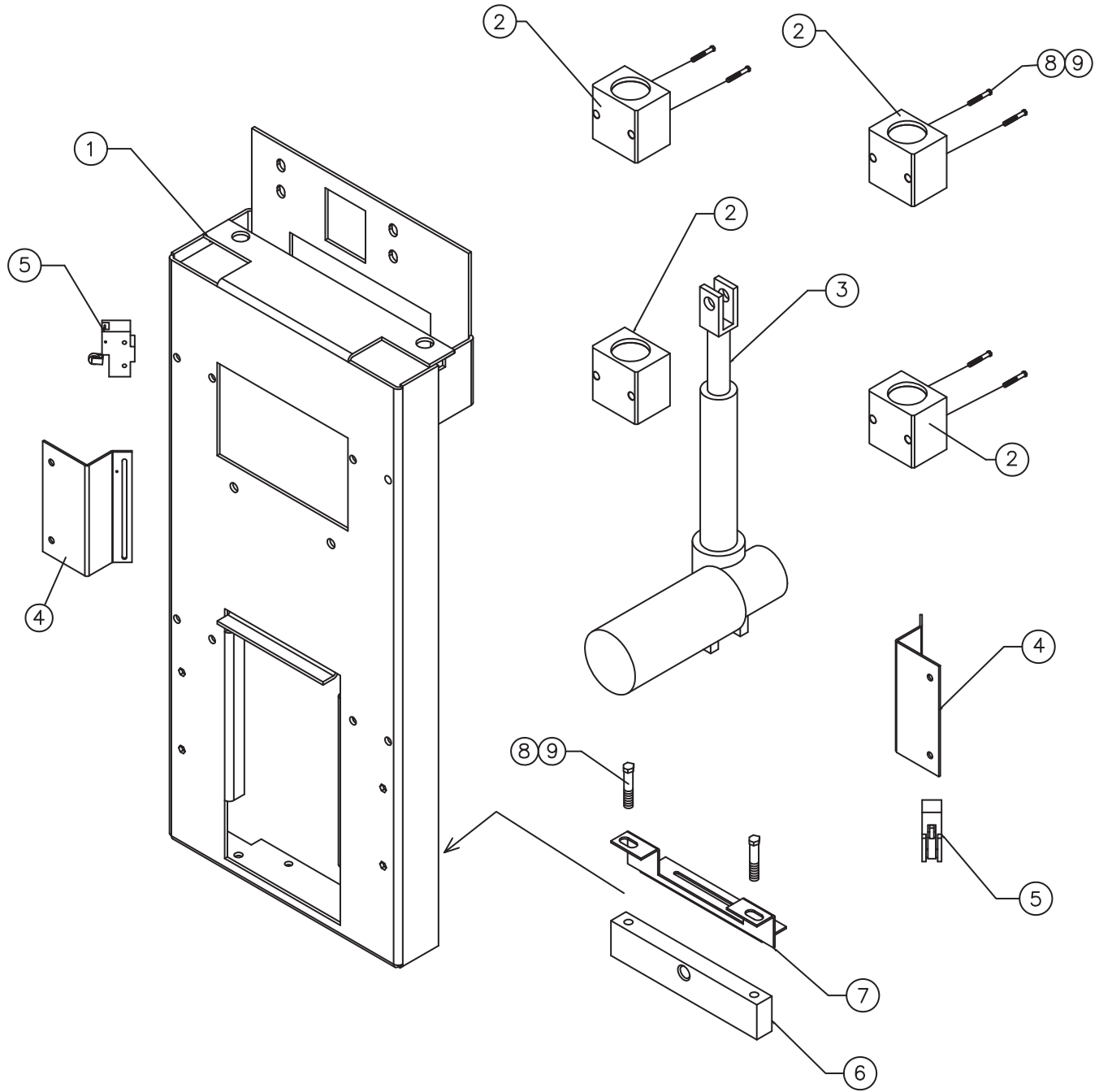
Gas - Xpress Grill Complete Exploded View - Model: XG24-CE Version

ITEM	PART #	DESCRIPTION	QUANTITY	CRITICAL
39	Page 12	Flue Assembly	1 per zone	
40	1869301	Transformer Bracket	1	
41	4516114	Circuit Brace	1	
42	4520578	Grill Plate Thermocouple	1 per zone	C
43	1866103	Strain Relief Wire 12.5"	2	
44	1866101	Ground Wire 24"	1	
45	4517025	Terminal Bracket	1	

* NOT ILLUSTRATED

RECOMMENDED STOCK PARTS

NOTES



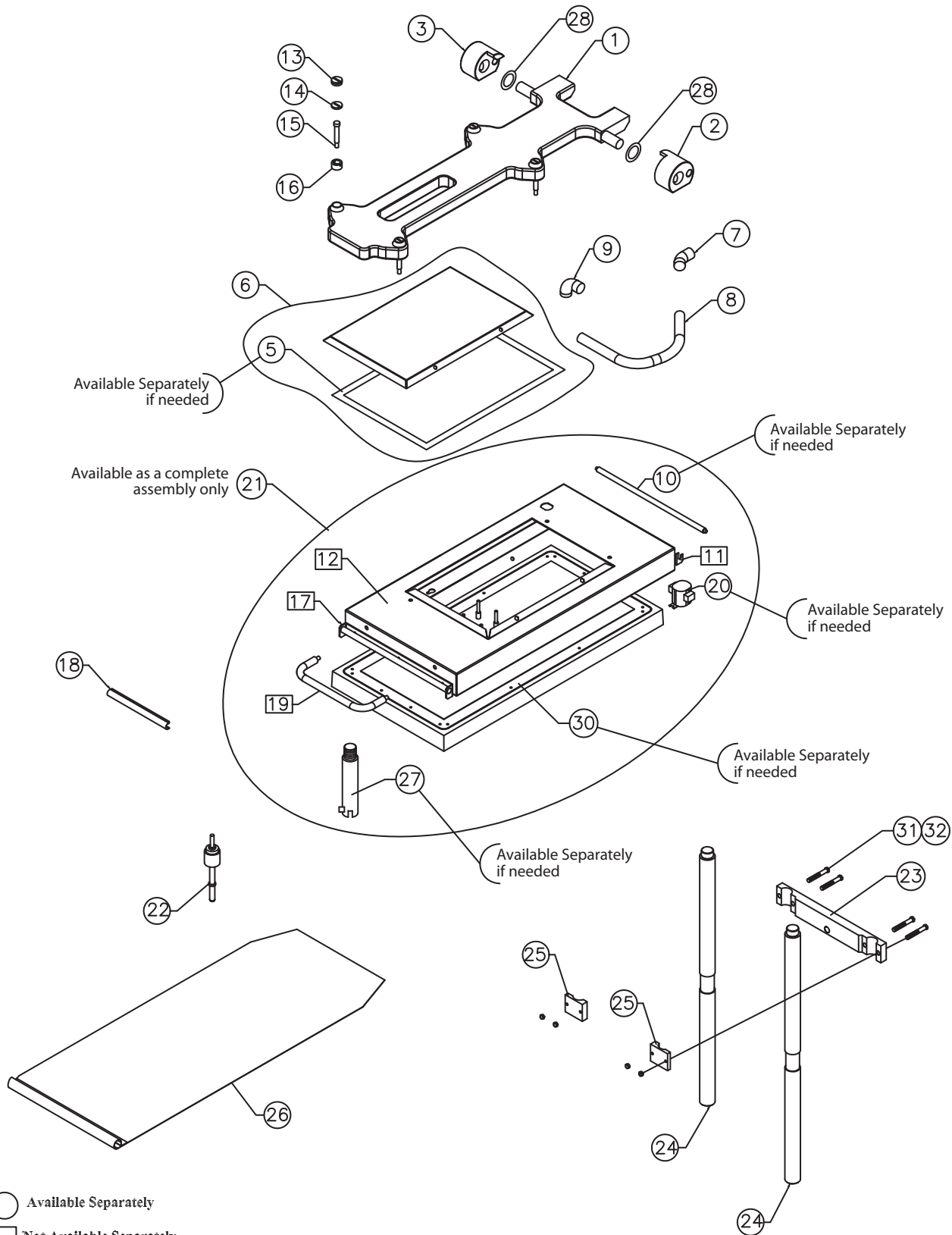
GARLAND PARTS IDENTIFICATION

Gas - Xpress Grill Actuator Assembly View - Model: XG24-CE Version

ITEM	PART #	DESCRIPTION	QUANTITY	CRITICAL
1	4516080	Actuator Frame Wa	1	
2	4518156	Pillow Block Assembly	4	
3	4525541	Linear Actuator	1	C
4	1857601	Switch Bracket	2	
5	1855601	Upper/Lower Platen Limit Switch	2	C
6	4518787	Actuator Mount Block (Painted)	1	
7	4516097	Actuator Base Bracket	1	
8	8003424	1/4" - 20 x 2.250" Shoulder Bolts	8	
9	8000206	1/4" Lock Washer	8	

* NOT ILLUSTRATED

RECOMMENDED STOCK PARTS



- Available Separately
- Not Available Separately

CG24-CE#3

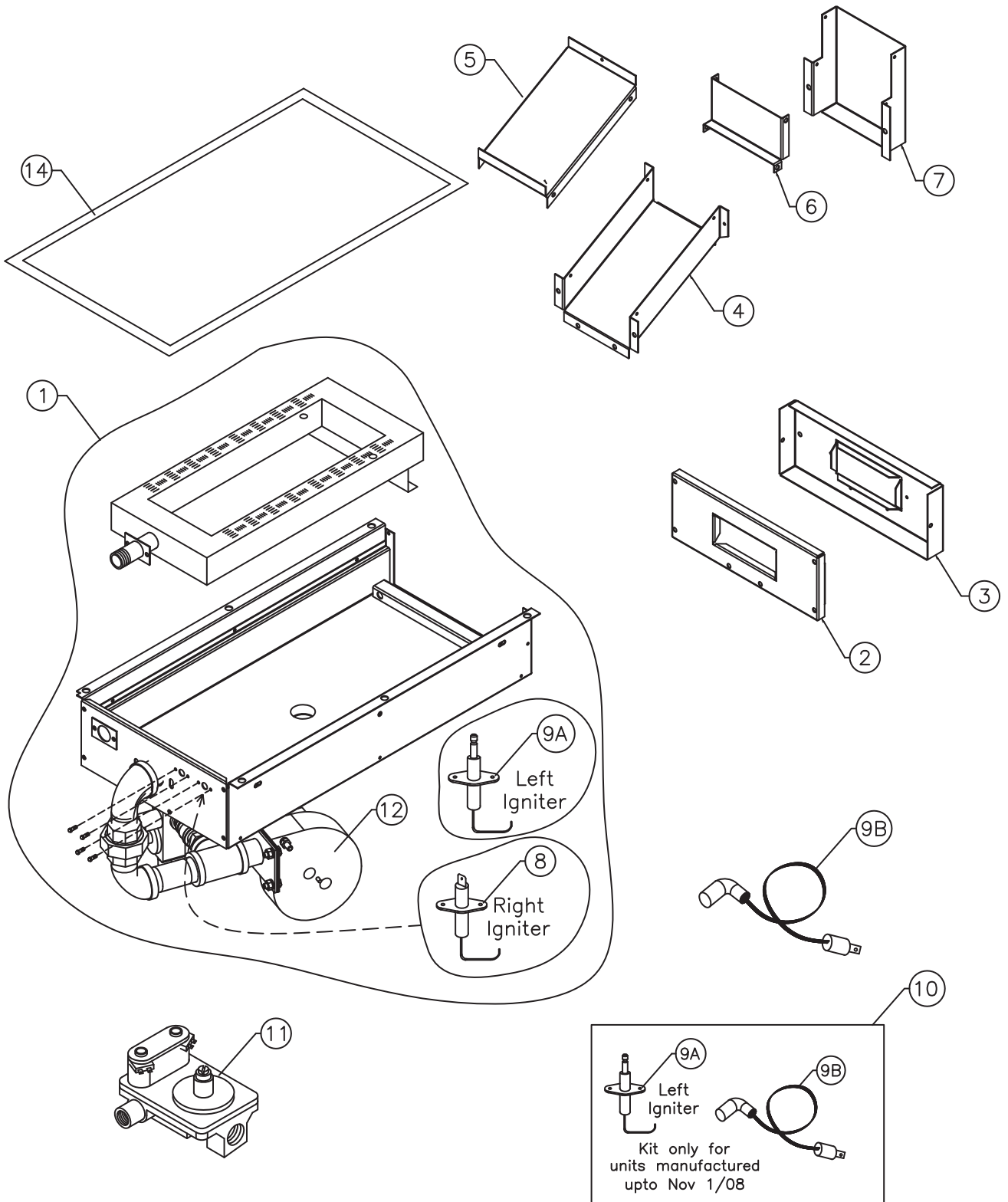
GARLAND PARTS IDENTIFICATION

Gas - Xpress Grill Platen Assembly View - Model: XG24-CE Version

ITEM	PART #	DESCRIPTION	QUANTITY	CRITICAL
1	4516085	Platen Arm	1	
2	4520422	Carriage Block, Assembly, Rt	1	
3	4520423	Carriage Block, Assembly, Lt	1	
5	4522581	1/16 TH Silicone Gasket	3.5 Ft	
6	4516092	Platen Lid	1	
7	4517021	3/8 Connector, 45 Deg	1	
8	4517022	Platen Conduit	1	C
9	4517020	3/8 Connector, 90 Deg	1	
10	4517008	Teflon Bar, Rear	1	
11	4516094	Teflon Holder, Rear (Not Available Separately) Note: Not Field Replaceable	1	
12	4516091	Platen Cowl (Not Available Separately)	1	
13	1859102	Platen Adjuster Cap	4	C
14	1859103	Platen Lock Nut	4	C
15	8005401	Shoulder Bolt	4	C
16	1859101	Platen Adjuster Nut	4	C
17	4516093	Teflon Holder, Front (Not Available Separately) Note: Not Field Replaceable	1	
18	1851301	Teflon Clip	1	C
19	1859501	Upper Platen Handle (Not Available Separately)	1	
20	1781301	Hi Limit - Auto Reset	1	C
21	4519757	Platen Assembly Complete 400V	1	C
	4519758	Platen Assembly Complete 415V		
	4519756	Platen Assembly Complete 380V		
22	1859401	Platen Thermocouple	1	C
23	4516089	Cross Member	1	
24	4516084	Actuator Shaft	2	
25	4516090	Cross Member Bracket	2	
26	1799303	Teflon Sheet	1	C
27	1859402	Grill Plate/Platen Bayonet Adapter	1	
28	1855903	Teflon Washer Small	2	
30	1937701	Goretex GSKT Tape .75W .065T	5.5 Ft	
31	8003423	Mscr-HH-Grd5 1/4-20x1-1/4Stl 2 (to attach #23 & #25)	4	
32	8000203	Lkwshr - SPL 1/4 x 1/2 x 1/16 Stl 2P (to attach #23 & #25)	4	

* NOT ILLUSTRATED

RECOMMENDED STOCK PARTS



XG24-CE#4

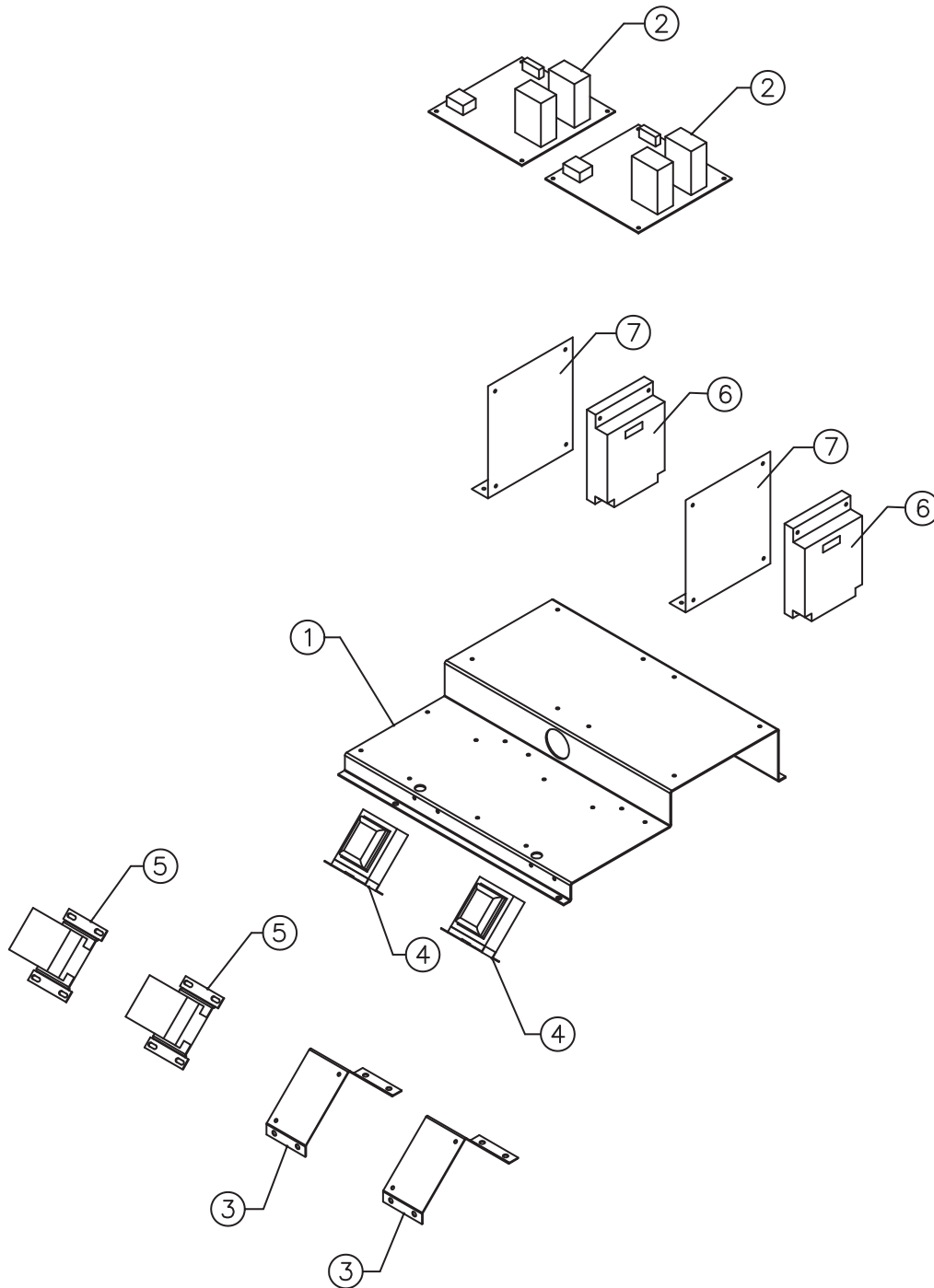
GARLAND PARTS IDENTIFICATION

Gas - Xpress Grill Burner Assembly View - Model: XG24-CE Version

ITEM	PART #	DESCRIPTION	QUANTITY	UP TO	FROM	CRITICAL
1	4517789	Burner Assembly, CE Propane	1			
	4517591	Burner Assembly, CE Nat	1			
2	4517396	Flue Box, Inner	1			
3	4517397	Flue Box, Outer	1			
4	4517398	Flue Bottom	1			
5	4517399	Flue Top	1			
6	4517401	Flue Riser, Inner	1			
7	4517400	Flue Riser, Outer	1			
8	4524066	Igniter	2 (see note)	1-Nov-08		C
			1		2-Nov-08	
	Note: If Left Igniter Needs Replacement - Order Kit Item# 10					
9A	4525537	Electrode Igniter - Rajah	1		2-Nov-08	C
9B	4525575	Ignition Cable	1		2-Nov-08	C
10	CK4525576	Service Kit Igniter & Igniter Cable - Spark Plug Type Included Item # 9a & 9b Units Manufactured Up To Nov 1/08 Will Required Kit	1	1-Nov-08		
11	4525846	Gas Valve - Nat 25M42S	1			C
12	4525845	Blower / Motor 120V	1			C
14	WFT125750	1/8 x 3/4 Woven FG Tape W/PSA	5.5 Ft			

* NOT ILLUSTRATED

RECOMMENDED STOCK PARTS



XG24-CE#5

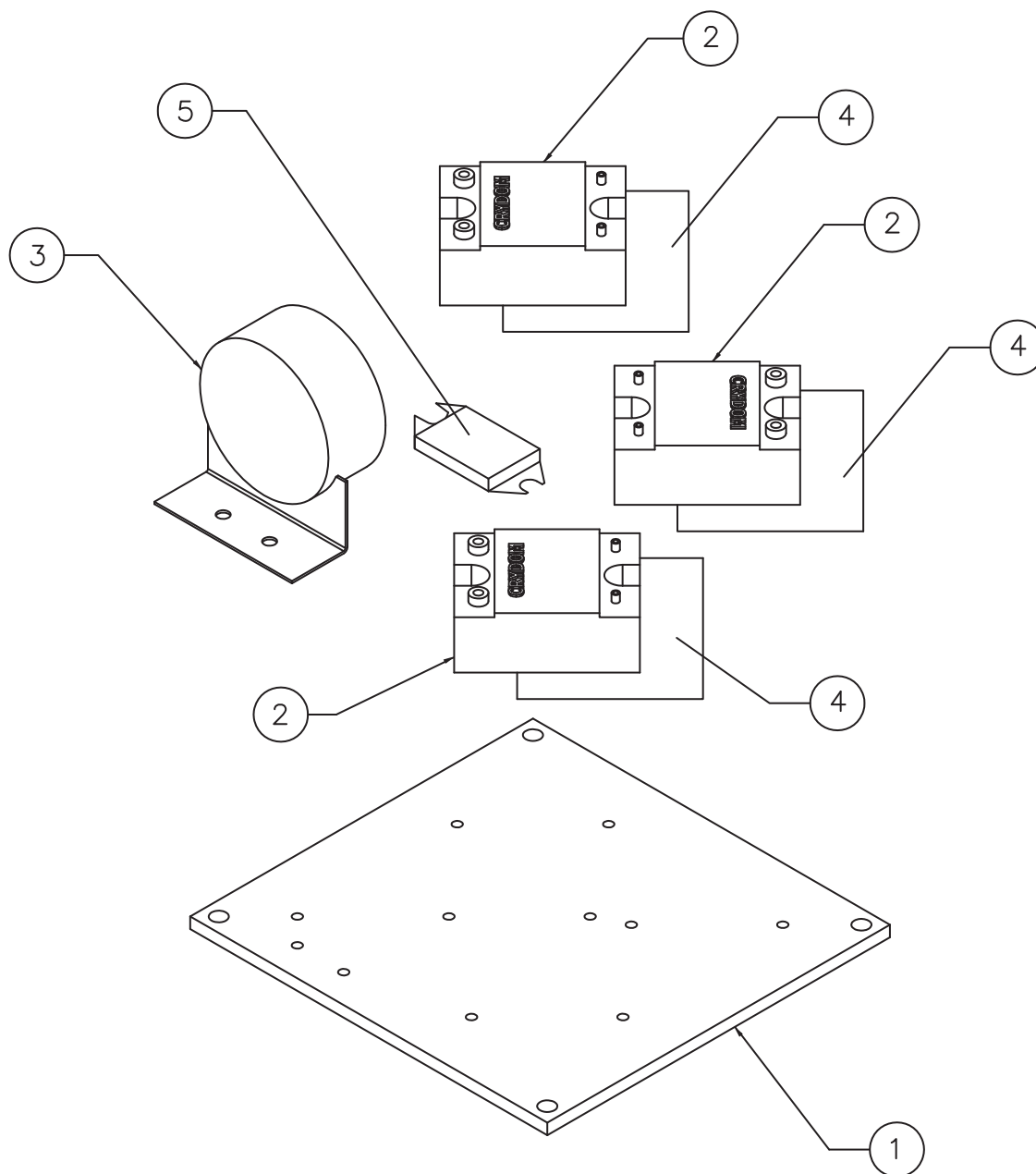
GARLAND PARTS IDENTIFICATION

Gas - Xpress Grill Component Bracket Assembly View - Model: XG24-CE Version

ITEM	PART #	DESCRIPTION	QUANTITY	CRITICAL
1	4516682	Component Mounting Bracket	1	
2	4516989	Motor Speed Control	2	C
3	4516079	Contactactor Bracket	2	
4	1269800	24 Volt Transformer	2	C
5	1637001	Contactactor	2	C
6	4522571	Ignition Module 230V	2	C
7	4522390	Ignition Module Bracket	2	

* NOT ILLUSTRATED

RECOMMENDED STOCK PARTS



GARLAND PARTS IDENTIFICATION

Gas - Xpress Grill Heat Sink Assembly View - Model: XG24-CE Version

ITEM	PART #	DESCRIPTION	QUANTITY	Critical
1	4516116	Heat Sink	1 per zone	
2	4516988	Relay	3	C
3	4517392	Pressure Switch	1	
4	1811903	Thermal Interface MAT	3	
5	1811902	Ignition Relay (Omron)	3	C

* NOT ILLUSTRATED

RECOMMENDED STOCK PARTS

GARLAND PARTS IDENTIFICATION

Gas - Xpress Grill Wire Harness And Description Where Used - Model: XG24-CE Version

ITEM	PART #	DESCRIPTION & LOCATION	QUANTITY	CRITICAL
1*	1859861	Description: 120V Harness Location: Motor Speed Control, 120 volt side of 120/24 volts transformer, Power to Actuator, 120 volts terminal block.	1	C
2*	1859862	Description: CB Contactor Harness Location: Circuit Breakers, Contactors, high Voltage side of SSR's for Platens, 120 volt terminal block.	1	C
3*	1859852	Description: XMFR Harness Location: Main Power Circuit Breaker, Main Power Switch, 240/1 20 volt Transformer, 120 volt Terminal Block, Main Terminal block	1	C
4*	1859853	Description: Control Harness Location: Low Voltage side of SSR's, 24 volt out put on 120/24 volt transformer, encoder, upper/lower Limit Switches, Main Control, Motor Speed Control, Green and Black push Buttons	2	C
5*	1859864	Description: Ignition Harness Location: Pressure Switch, Ignition Module, Gas Valve, Main Control, Blower Motor, 120 volt Terminal Block.	1	C
6A*	1859855	Description: Platen Harness P1 Connector to the Platen Elements.	2	C
6B*	0007500FS	Fibreglass Sleeving (2 feet long each one) Must replace with item 6A	2	C
7*	1859860	Description: Switch Harness Green and Black button Harness one per zone.	2	C
8*	1859829	Description: Contactor Jumper Harness Straight leads from terminal Block to Circuit Breakers	1	C
9*	1859810	Description: Power Switch Harness Location: Main Power Switch to Connector S3.	1	C
10*	4522352	W/H CE Ignition	2	C
11*	4526040	Power Cord CE 4MM (3.2M Long)	1	
12*	4524073	Xpress Power Cord Gas (1.8M Long)	1	

* NOT ILLUSTRATED

RECOMMENDED STOCK PARTS

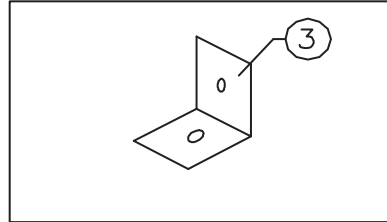
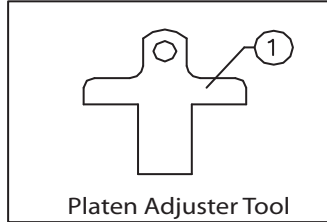
GARLAND PARTS IDENTIFICATION

Gas - Xpress Grill Accessories And Tools - Model: XG36-CE Version

ITEM	PART #	DESCRIPTION	QUANTITY	CRITICAL
1	4523323	Platen Adjuster Tool		
3	1838701	Platen Leveling Tool CK		

* NOT ILLUSTRATED

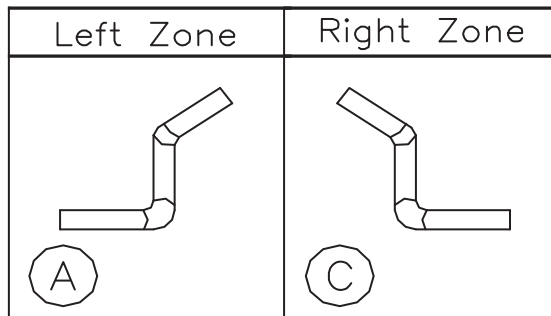
RECOMMENDED STOCK PARTS



Gas - Xpress Grill Gas Tubing - Model: XG36-CE Version				
ITEM	PART #	DESCRIPTION	QUANTITY	CRITICAL
A	4519506	Tubing, Left - (Location, left zone)	1	
C	4519505	Tubing, Right - (Location, right zone)	1	

* NOT ILLUSTRATED

RECOMMENDED STOCK PARTS



GARLAND PARTS IDENTIFICATION

Revision History

REV. #	PAGE #	ITEM #	NOTE	DATE
			Part List Book Released - XG24-CE VERSION	Dec 11/08
1	10		New Drawing	Feb 09/09
	11	11,17	Note Added	

 ***Garland***[®]