



Ice Machine Parts List for Series EC030 Models

ECG030A

ECG030W

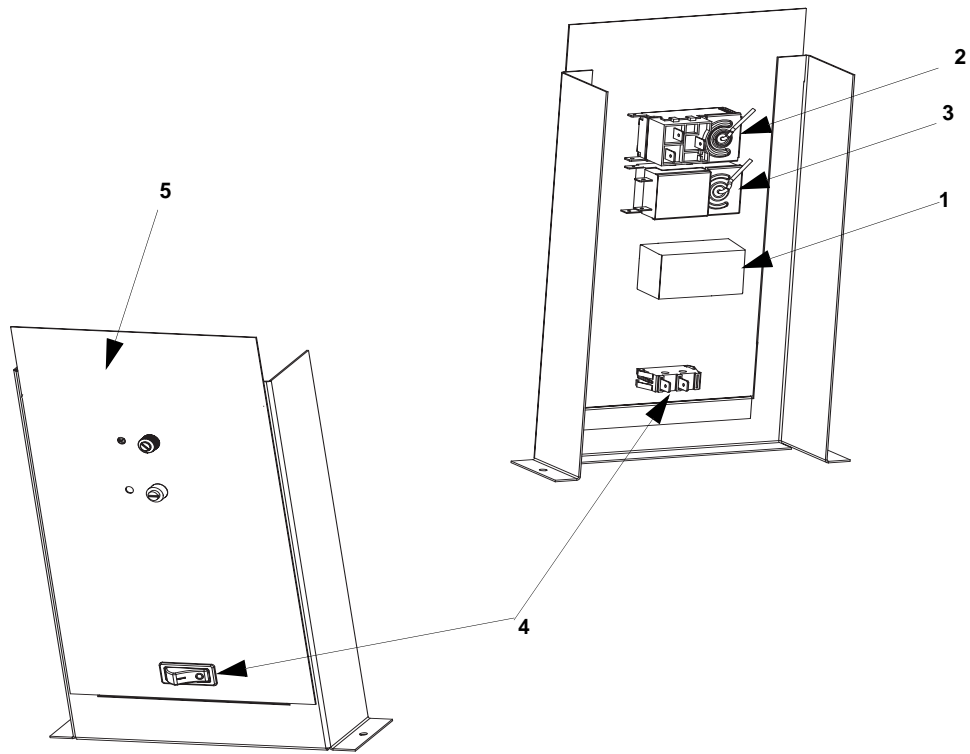
ECS030A

ECS030W

ECM030A

ECM030W

EC30 CONTROL BOX



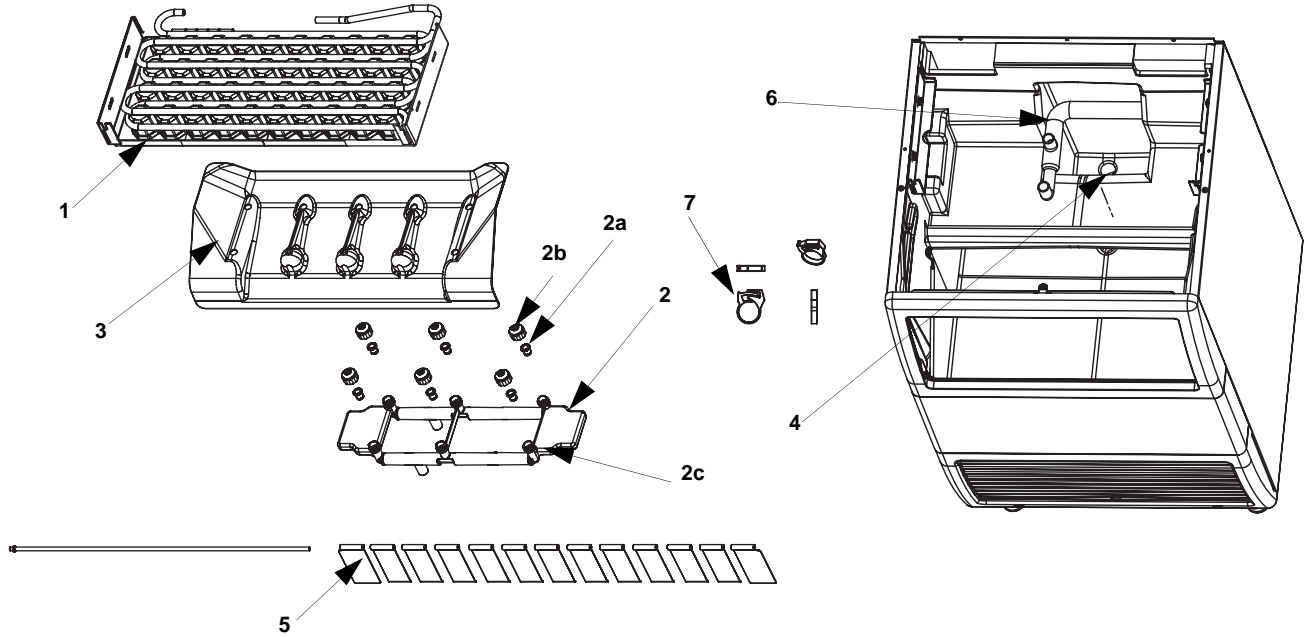
DESCRIPTION

	DESCRIPTION	PART NO.
1	Mechanical Timer(Up to SN 31000387)	20-0664-9
	SCR Timer(After SN 31000387)	20-0978-9
2	Evaporator Thermostat	20-0883-3
3	Bin Thermostat	20-0914-9
4	Toggle Switch	20-0670-9
5	Control Box Cover	60-5599-9

Miscellaneous – Brackets, Screws, etc.

6	Screw, 7 x 30 mm	50-0443-9
7	Screw (Mount control box/cover to cabinet)	50-0449-9
8	Wiring Harness,Main	000001181
9	Wiring Harness,Toggle Switch	20-0977-3

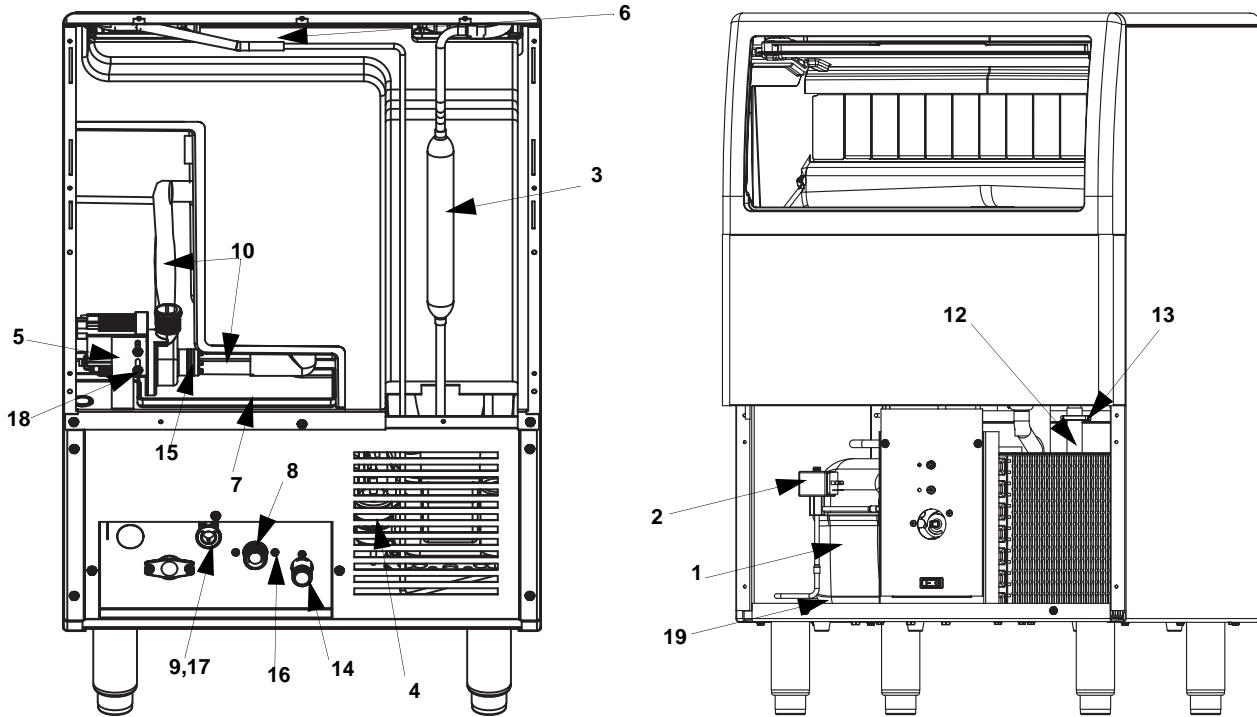
EC30 EVAPORATOR ASSEMBLY



DESCRIPTION

	DESCRIPTION	PART NO.
1	Evaporator Assembly	
	a. Large	76-0261-9
	a. Standard	76-0262-9
	b. Mini	76-0263-9
2	Spray Bar Assembly	76-0264-9
	a. Insert (each)	40-0877-9
	b. Cap (each)	40-0876-9
	c. O-ring	50-0463-9
3	Ice Ramp	40-1179-9
4	Standpipe Assembly	
	a. Standpipe	40-1274-9
	b. Plug	40-1036-9
5	Curtain Assembly	
	a. Paddle	40-0882-9
	b. Rod	30-0570-9
Miscellaneous – Brackets, Screws, etc.		
6	Tubing (Water Pump Out)	000000796
7	Spray Bar Clamp	56-5064-9
8	Pump Inlet Screen	40-1493-9

EC30 REFRIGERATION COMPARTMENT – COMMON PARTS



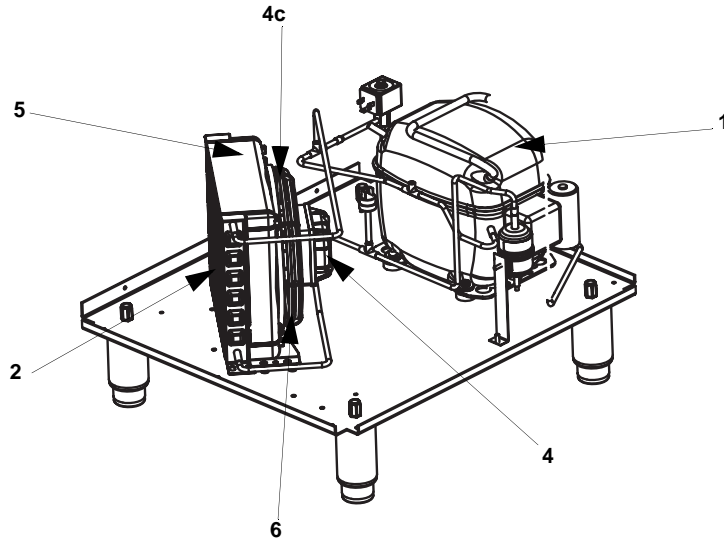
DESCRIPTION

PART NO.

1 Compressor	
a. Up to SN 051153452	
Danfoss Compressor 230/50-60/1 Ph	76-0266-9
Start Relay	20-0487-3
Start Capacitor	20-0486-3
b. From SN 051153453 to SN 060752452	
Embraco Compressor 230/50-60/1 Ph	82-5364-3
Start Relay	20-1007-3
Start Capacitor	20-1009-3
Overload Protector	20-1011-3
c. After SN 060752452	
Embraco Compressor 230/50-60/1 Ph	82-5363-3
Start Relay	20-1006-3
Start Capacitor	20-1008-3
Overload Protector	20-1010-3
d. Embraco 115/60/1 Ph	040000171
Start Relay	000002083
Start Capacitor	000002084
Overload Protector	00000677
2 Hot Gas Valve	
a. Hot Gas Valve 230/50-60/1	76-0239-3
Hot Gas Valve Coil Only 230/50-60/1	000001144
b. Hot Gas Valve 115/60/1	040000226
Hot Gas Valve Coil Only 115/60/1	000001985
3 Cap Tube Assembly	76-0267-9
4 Line Drier	82-5216-9
5 Water Pump	
a. 220V/50 Hz	040000036
b. 220V/60 Hz	040000037
c. 115V/60 Hz	000000658
d. Bracket	000000794
6 Evaporator Water Inlet Fitting	40-1116-9
7 Condensate Tray	40-1176-9
8 Water Inlet Valve	
230V/50-60/Hz.	000000729
115V/60Hz.	000000730
a. Diverter	607248-1
b. Mylar Shield	000000827
9 Power Cord 230/50/1 (not shown, Except China)	20-3302-3
Power Cord 230/50/1 (not shown, Only in China)	20-0938-3
Power Cord 115/60/1 (not shown)	000000335
Miscellaneous – Brackets, Screws, etc.	
10 Vinyl Tubing	
a. Pump to Spray Bar	000001068
b. Sump to Pump	000000796
11 Water Inlet Tubing .375 ID (not shown)	44-2131-3
12 Bin Drain Tube	000000196
13 Drain Line Clamp	50-0510-9
14 Drain Fitting Barbed	40-1128-9
15 Water Pump Inlet/Outlet Clamp	50-0508-9
16 Screw 7 x 7 mm (mounts water inlet valve).	50-0442-9
17 Screw 4 x 13 mm (mounts terminal block)	50-0485-9

18	Screw 5 x 13 mm (mounts water pump)	50-0502-9
19	Compressor Mounting	
	a. Compressor Mounting Retainer	56-4826-9
	b. Compressor Clevis Pin 1/4" x 1"	37-1210-9
	c. Compressor Hairpin Clip	56-4828-9
	d. Compressor Sleeve	50-0090-9
	e. Compressor Rubber Gromet	50-0089-9
	f. Compressor Washer	50-0097-9

EC30 REFRIGERATION COMPARTMENT – AIR-COOLED



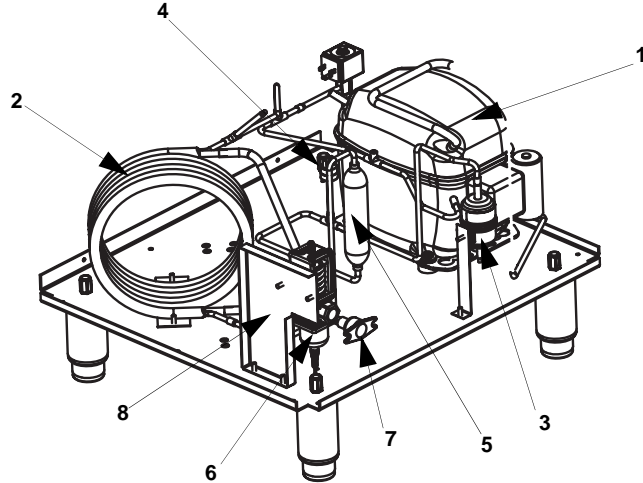
DESCRIPTION

	PART NO.
1 Compressor (Refer to COMMON PARTS Page)	Page EC30-4
2 Air Condenser	88-5131-3
3 Baffle - Air Condenser	30-0603-9
4 Fan Motor	
a. 230V 50/60 Hz	20-0020-9
b. 115V/60 Hz	000000694
c. Fan Blade	30-0566-9

Miscellaneous – Brackets, Screws, etc.

5 Fan Shroud	602325-9
6 Fan Motor Mounting Bracket	602268-1
7 Screw Hex 5 x 31 mm (bracket to shroud)	000001598
8 Screw Php 7 x 7 mm (motor to bracket)	50-0442-9
9 Lockwasher	50-0523-9

EC30 REFRIGERATION COMPARTMENT – WATER-COOLED

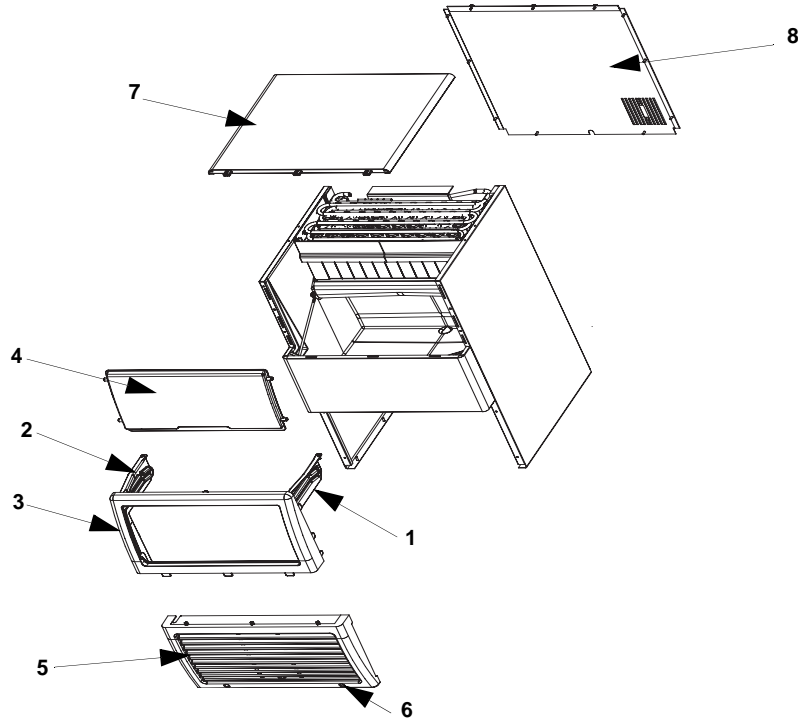


DESCRIPTION

PART NO.

1	Compressor (Refer to COMMON PARTS Page)	Page EC30-4
2	Water Condenser	82-5302-3
3	Liquid Line Drier	82-5216-9
4	HPCO	20-0683-9
5	Receiver	82-5251-9
6	Water Regulating Valve	82-5272-9
	a. Coupling 3/8 F x 3/8 NPT	83-3202-3
Miscellaneous – Brackets, Screws, etc.		
7	Adapter 1/2 NPTF	87-0610-3
8	Bracket	605603-9

EC30 PANELS



Door – Gray

1	Right Hand Track	40-1246-9
2	Left Hand Track	40-1247-9
3	Frame	40-1233-9
4	Door Assembly	40-1243-9
5	Grill	40-0999-9
6	Grill Screws (5 x 13 mm)	50-0449-9
7	Top Cover	606211-9
8	Back Panel	605893-9
9	Rear Utility Panel	000000795

Door – Blue

1	Right Hand Track	40-1248-9
2	Left Hand Track	40-1249-9
3	Frame	40-1234-9
4	Door Assembly	40-1244-9
5	Grill	40-1227-9
6	Grill Screws (5 x 13 mm)	50-0449-9
7	Top Cover	606211-9
8	Back Panel	605893-9
9	Rear Utility Panel	000000795

Door – Light Gray

1	Right Hand Track	40-1250-9
2	Left Hand Track	40-1251-9
3	Frame	40-1235-9
4	Door Assembly	40-1245-9
5	Grill	40-1228-9
6	Grill Screws (5 x 13 mm)	50-0449-9
7	Top Cover	606211-9
8	Back Panel	605893-9
9	Rear Utility Panel	000000795