



Ice Machine Parts List for Series EC020 Models

ECG020A

ECG020W

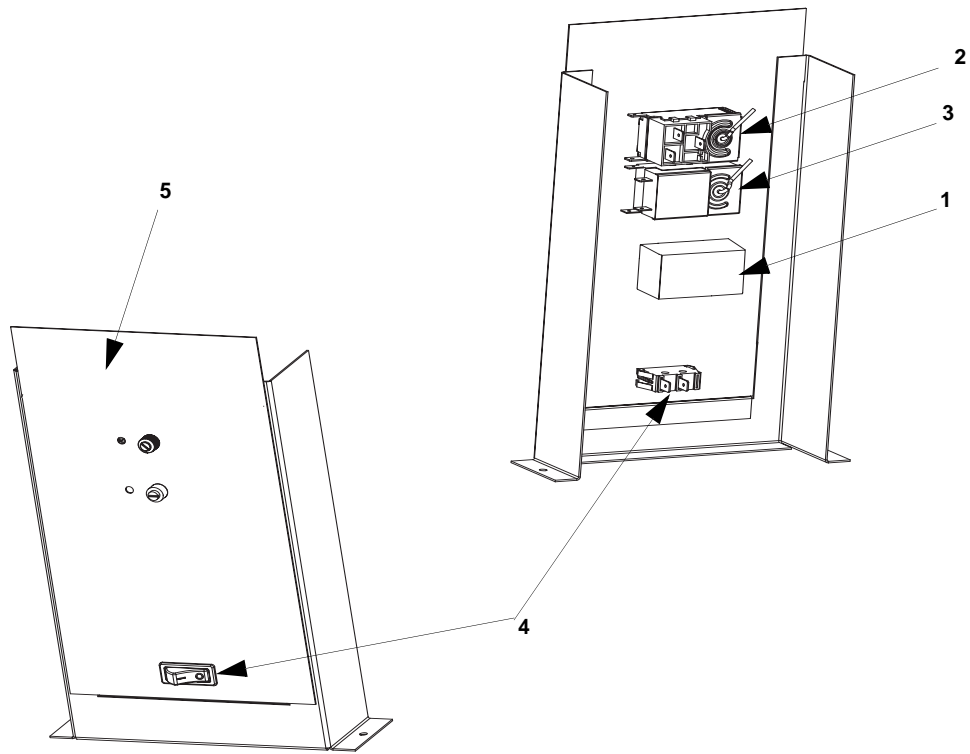
ECS020A

ECS020W

ECM020A

ECM020W

EC20 CONTROL BOX



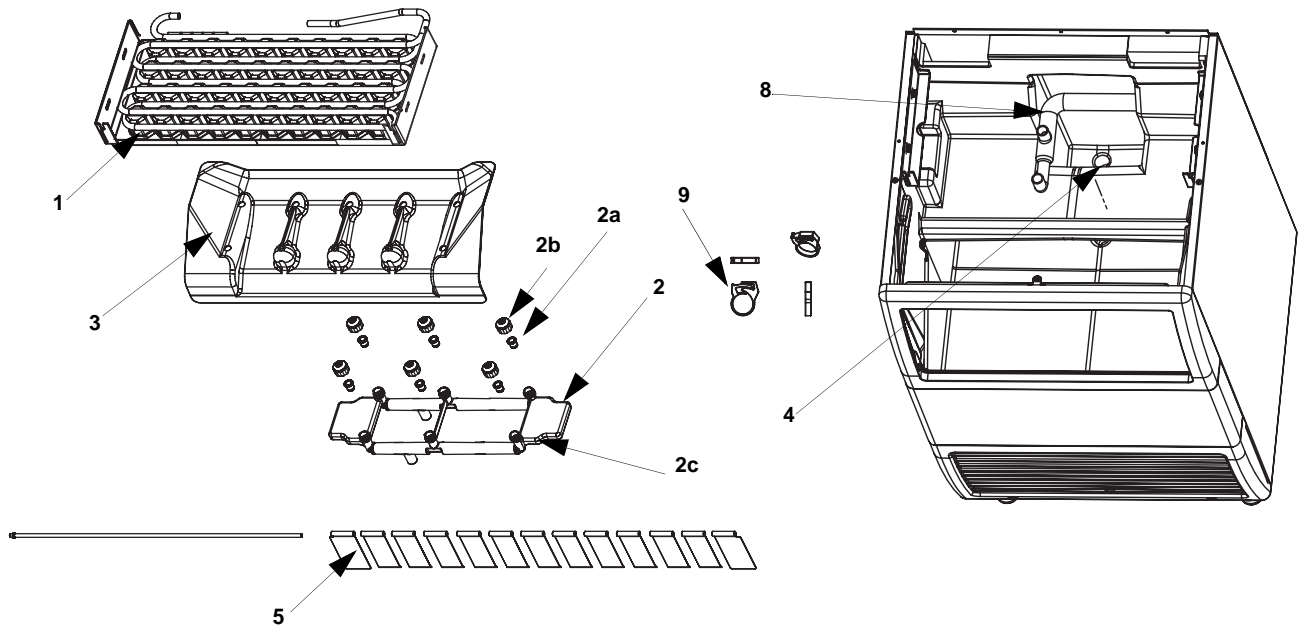
DESCRIPTION

	DESCRIPTION	PART NO.
1	Mechanical Timer (Up to SN 060752130)	20-0664-9
	No Timer (After SN 060752130)	
2	Evaporator Thermostat (Up to SN 060752130)	20-0883-3
	Evaporator Thermostat (After SN 060752130)	20-0884-9
3	Bin Thermostat	20-0914-9
4	Toggle Switch	20-0670-9
5	Control Box Cover	60-6813-1

Miscellaneous – Brackets, Screws, etc.

6	Screw (Mount control box/cover to cabinet)	50-0449-9
7	Wiring Harness, Main	000000828
8	Wiring Harness, Toggle Switch	20-0926-9

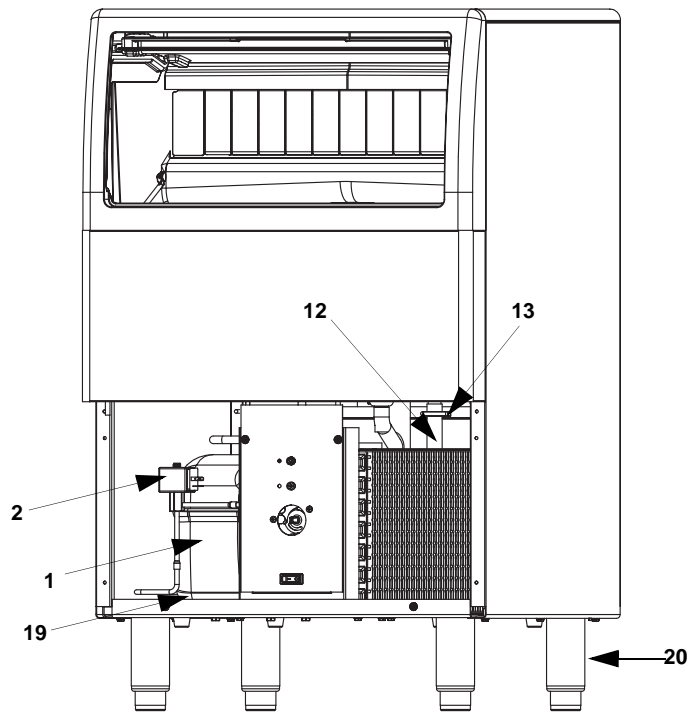
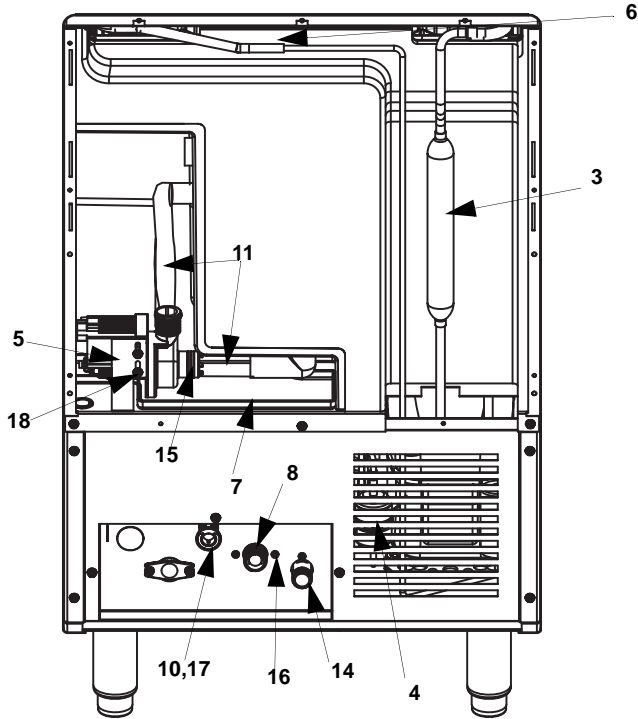
EC20 EVAPORATOR ASSEMBLY



DESCRIPTION

DESCRIPTION	PART NO.
1 Evaporator Assembly	
a. Large(Up to SN 060752130)	76-0261-9
Large(After SN 060752130)	30-0643-3
a. Standard(Up to SN 060752130)	76-0262-9
Standard(After SN 060752130)	30-0642-9
b. Mini(Up to SN 060752130)	76-0263-9
Mini(After SN 060752130)	30-0646-3
2 Spray Bar Assembly(Up to SN 060752130)	76-0264-9
Spray Bar Assembly(After SN 060752130)	76-0342-3
a. Insert (each)	40-0877-9
b. Cap (each)	40-0876-9
c. O-ring	50-0463-9
3 Ice Ramp(Up to SN 060752130)	40-1179-9
Ice Ramp(After SN 060752130)	000000474
4 Standpipe Assembly	
a. Standpipe	40-1274-9
b. Plug	40-1036-9
5 Curtain Assembly	
a. Paddle	40-0882-9
b. Rod(Up to SN 060752130)	30-0570-9
Rod(After SN 060752130)	30-0694-3
6 Evaporator / Spray Bar Housing	000000454
7 Evaporator Cover	000000455
Miscellaneous – Brackets, Screws, etc.	
8 Tubing (Water Pump Out)	000000456
9 Spray Bar Clamp	56-5064-9
10 Water Inlet/Evaporator Diverter	60-7248-1
11 Pump Inlet Screen	40-1493-9

EC20 REFRIGERATION COMPARTMENT – COMMON PARTS

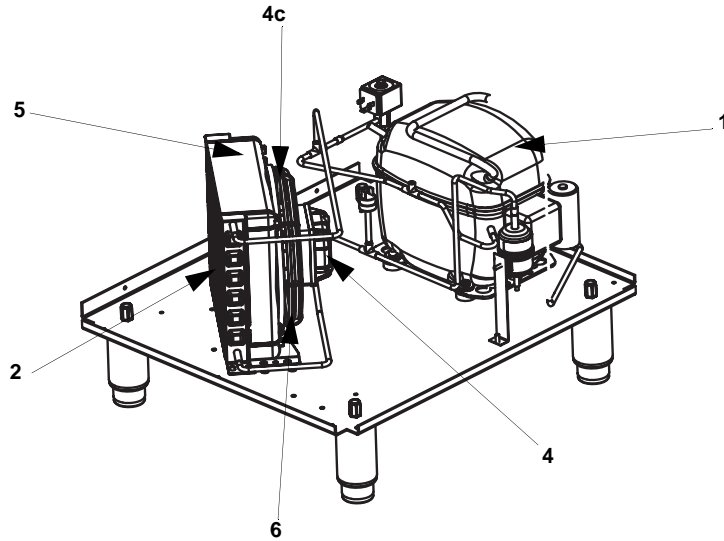


DESCRIPTION

	DESCRIPTION	PART NO.
1	Compressor	
a.	Up to SN 050752676 and From SN 050952333 to SN 060154172 Danfoss Compressor 230/50-60/1 Ph	76-0265-9
	Start Relay	20-0834-9
	Start Capacitor	20-0486-3
b.	From SN 050752677 to SN 050952332 & From SN 060154173 to SN 060752129 Embraco Compressor 230/50-60/1 Ph	82-5363-3
	Start Relay	20-1006-3
	Start Capacitor	20-1008-3
	Overload Protector	20-1010-3
c.	After SN 060752129 Embraco Compressor 230/50-60/1 Ph	82-5347-9
	Start Relay	20-0941-9
	Start Capacitor	20-0969-9
	Overload Protector	20-0944-9
d.	Embraco Compressor 115V/60Hz/1 Ph	000000674
	Start Relay	000000675
	Start Capacitor	000000676
	Overload Protector	000000677
2	Hot Gas Valve	
a.	Hot Gas Valve 230/50-60/1(Up to SN 060752130)	76-0239-3
	Hot Gas Valve 230/50-60/1(After SN 060752130)	76-2964-3
b.	Hot Gas Valve Coil Only 230/50-60/1(Up to SN 060752130)	000001144
	Hot Gas Valve Coil Only 230/50-60/1(After SN 060752130)	85-0000-3
c.	Hot Gas Valve 115V/60 Hz	20-0740-3
	Hot Gas Valve Coil Only 115/60/1	000001985
3	Cap Tube Assembly(Up to SN 060752130)	76-0267-9
	Cap Tube Assembly(After SN 060752130)	040000151
4	Line Drier	82-5216-9
5	Water Pump	
a.	220V/50Hz	040000036
b.	220V/60Hz	040000037
c.	115V/60 Hz	000000658
d.	Bracket	000000794
6	Evaporator Water Inlet Fitting	40-1116-9
7	Condensate Tray	40-1176-9
8	Water Inlet Valve	
a.	230V	000000729
b.	115V	000000730
c.	Mylar Shield	000000827
9	Power Cord 230/50/1 (not shown,Except China)	20-3302-3
	Power Cord 230/50/1 (not shown,Only in China)	20-0839-3
	Power Cord 115/60/1 (not shown)	000000335
10	Terminal Block	20-0668-9
	Miscellaneous – Brackets, Screws, etc.	
11	Vinyl Tubing	
a.	Pump to Spray Bar	000000456
b.	Sump to Pump	000000796
12	Bin Drain Tube(Up to SN 060650001)	40-1257-9
	Bin Drain Tube(After SN 060650001)	000000196
13	Drain Line Clamp	50-0510-9
14	Drain Fitting Barbed	40-1128-9

15	Water Pump Inlet/Outlet Clamp	50-0508-9
16	Screw 7 x 7 mm (mounts water inlet valve)	50-0442-9
17	Screw 4 x 13 mm (mounts terminal block)	50-0485-9
18	Screw 5 x 13 mm (mounts water pump)	50-0502-9
19	Compressor Mounting	
	a. Compressor Mounting Retainer	56-4826-9
	b. Compressor Clevis Pin 1/4" x 1"	37-1210-9
	c. Compressor Hairpin Clip	56-4828-9
	d. Compressor Sleeve	50-0090-9
	e. Compressor Rubber Gromet	50-0089-9
	f. Compressor Washer	50-0097-9
20	Leg	50-0590-9

EC20 REFRIGERATION COMPARTMENT – AIR-COOLED



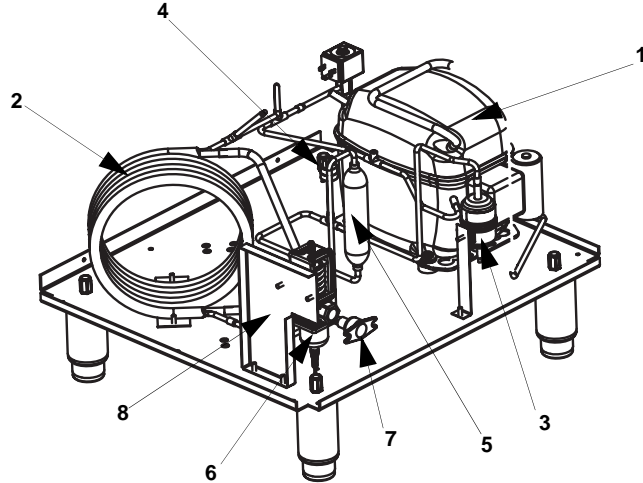
DESCRIPTION

DESCRIPTION	PART NO.
1 Compressor (Refer to COMMON PARTS Page)	Page EC20-4
2 Air Condenser	82-5290-3
3 Baffle - Air Condenser(Up to SN 060752130)	30-0603-9
3 Baffle - Air Condenser(After SN 060752130)	000000468
4 Fan Motor	
a. 230/50-60 Hz	20-0020-9
b. 115/60Hz.	000000694
c. Fan Blade	30-0566-9

Miscellaneous – Brackets, Screws, etc.

5 Fan Shroud	606822-1
6 Fan Motor Mounting Bracket	606823-1
7 Screw Hex 5 x 31 mm (bracket to shroud)	50-0449-9
8 Screw Php 7 x 7 mm (motor to bracket)	50-0442-9
9 Lockwasher	50-0523-9

EC20 REFRIGERATION COMPARTMENT – WATER-COOLED

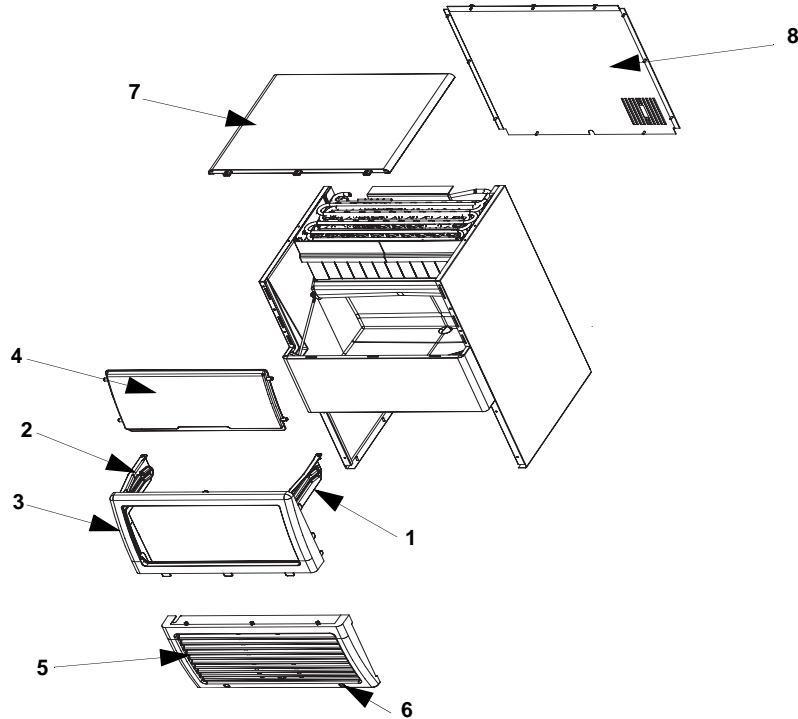


DESCRIPTION

PART NO.

1	Compressor (Refer to COMMON PARTS Page)	Page EC20-4
2	Water Condenser	82-5302-9
3	Liquid Line Drier	82-5216-9
4	HPCO	20-0683-9
5	Receiver	82-5251-9
6	Water Regulating Valve	82-5272-9
	a. Coupling 3/8 F x 3/8 NPT	83-3202-3
Miscellaneous – Brackets, Screws, etc.		
7	Adapter 1/2 NPTF	87-0610-3
8	Bracket	605603-9

EC20 PANELS



Door – Gray

1	Right Hand Track	40-1246-9
2	Left Hand Track	40-1247-9
3	Frame	40-1233-9
4	Door Assembly	40-1243-9
5	Grill	40-0999-9
6	Grill Screws (5 x 13 mm)	50-0449-9
7	Top Cover	60-6211-9
8	Back Panel	60-5893-9
9	Rear Utility Panel(not shown)	000000795

Door – Blue

1	Right Hand Track	40-1248-9
2	Left Hand Track	40-1249-9
3	Frame	40-1234-9
4	Door Assembly	40-1244-9
5	Grill	40-1227-9
6	Grill Screws (5 x 13 mm)	50-0449-9
7	Top Cover	60-6211-9
8	Back Panel	60-5893-9
9	Rear Utility Panel(not shown)	000000795

Door – Light Gray

1	Right Hand Track	40-1250-9
2	Left Hand Track	40-1251-9
3	Frame	40-1235-9
4	Door Assembly	40-1245-9
5	Grill	40-1228-9
6	Grill Screws (5 x 13 mm)	50-0449-9
7	Top Cover	60-6211-9
8	Back Panel	60-5893-9
9	Rear Utility Panel(not shown)	000000795