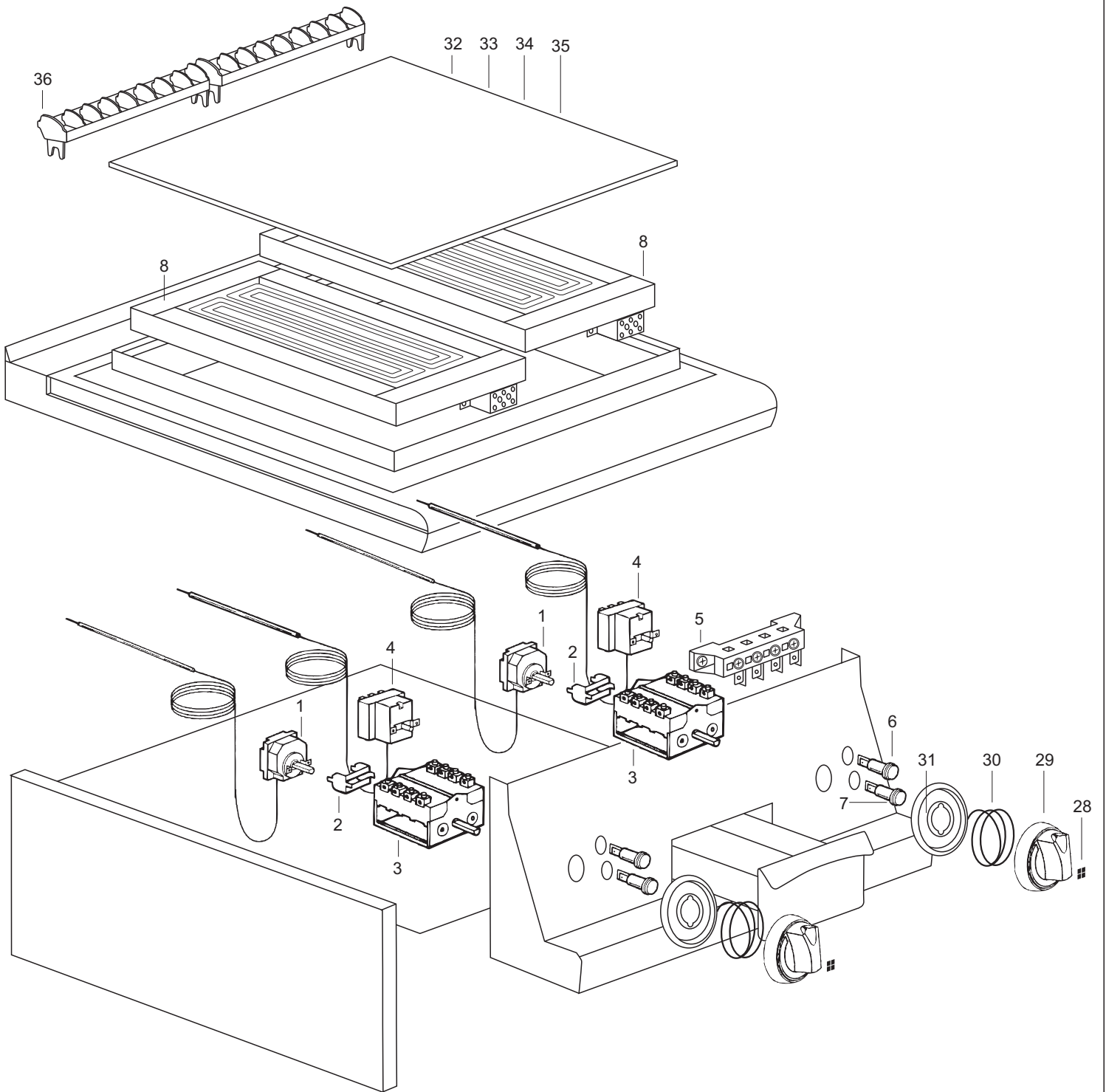


G7001

**CATALOGO RICAMBI
SPARE PARTS CATALOGUE
CATALOGUE PIECES DETACHEES
ERSATZTEILKATALOG
CATALOGO DE PIEZAS DE RECAMBIO**

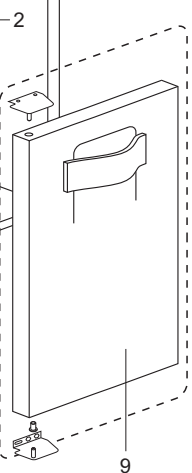
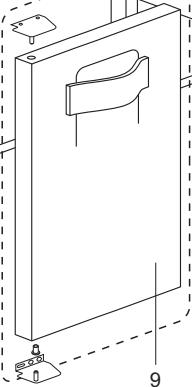
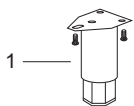
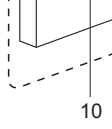
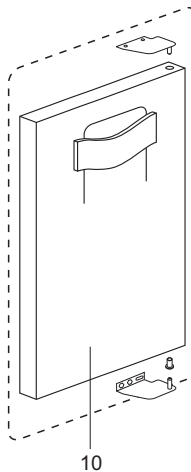
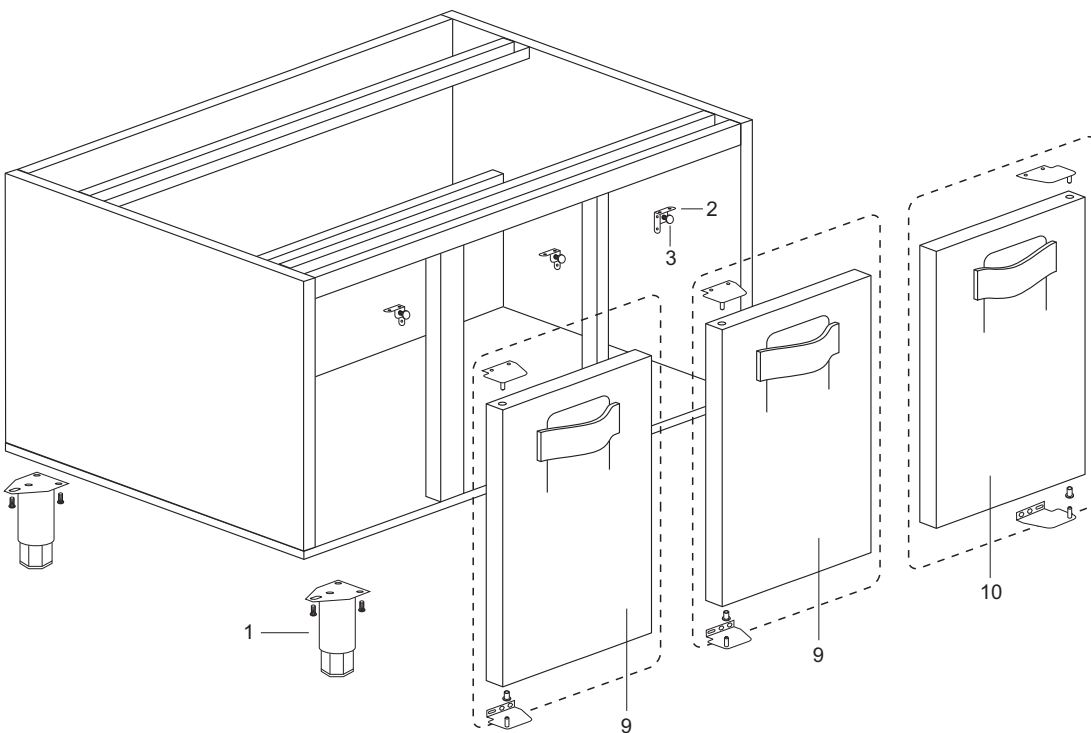
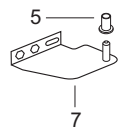
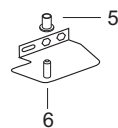
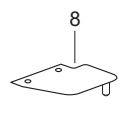
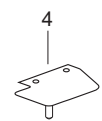
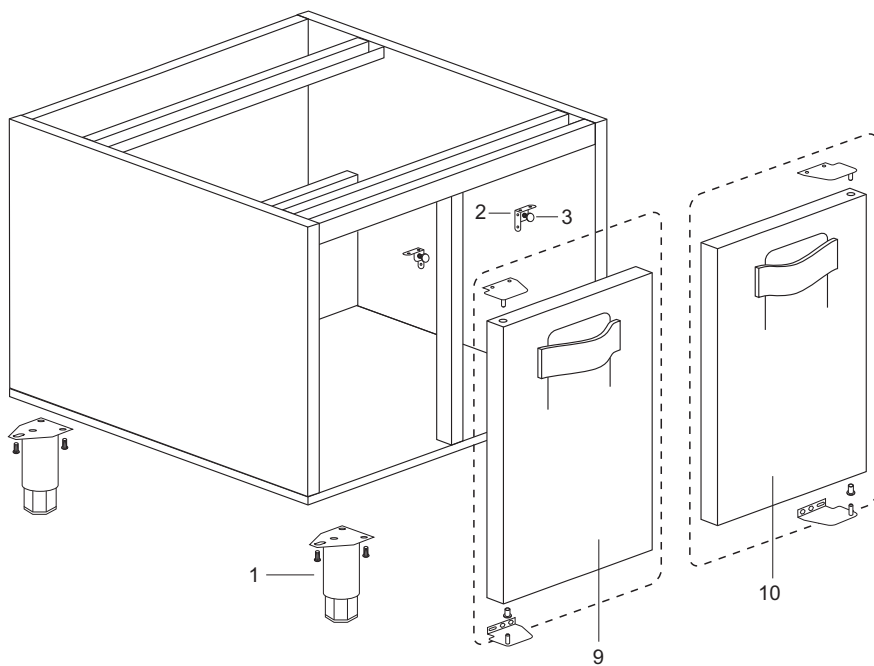
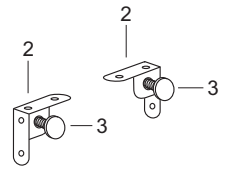
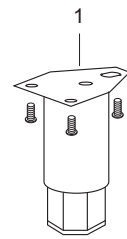
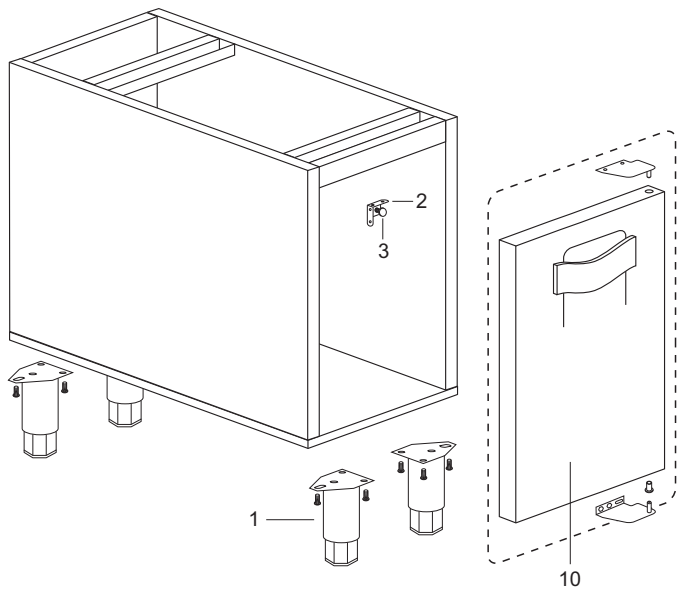
**FT7N322TL
FT7N322TLC
FT7N322TLR
FT7N322TR
FT7N322CL
FT7N322CLC
FT7N322CLR
FT7N322CR**



Pagina 1

1	53403050390	TERMOSTATO TRIFASE 50-270°C THERMOSTAT TRIPHASE 50-270°C THREE-PHASES THERMOSTAT 50-270°C DREIPHASIGER THERMOSTAT 50-270°C	
2	5200995	FLANGIA AGGANCIO EGO PLATINE D'ACCROCHEMENT EGO COUPLING FLANGE KUPPLUNGSFLANSCH	
3	52004115	INTERUTTORE EGO TRIFASE INTERRUPTEUR TRIPHASE THREE-PHASE SWITCH DREIPHASIGER SCHALTER	
4	53403000350	TERMOSTATO SIC. TRIFASE 350°C THERM. DE SECURITE TRIPH. 350 C THREE-PH. SAFETY THERM. 350 C DREIPH. SICHERHEITSTHERM. 350 C	
5	65251226	MORSETTIERA 6-POLI VITE-VITE BOITE A BORNES 6 POLES TERMINAL BOARD ANSCHLUSSKLEMME	
6	A00409	ASS. LAMPADINA SPIA VERDE VOYANT VERT GREEN PILOT LIGHT GRUNE SIGNALLEUCHTE	
7	A00410	ASS. LAMPADINA SPIA ARANCIO VOYANT ORANGE ORANGE PILOT LIGHT ORANGENE SIGNALLEUCHTE	
8	270204800	*A* RESISTENZA RADIANTE 4000W_ RESISTANCE RADIANTE 4000W RADIANT HEATING ELEMENT 4000W STRAHLUNGSHEIZKOPER 4000W	
28	LOGO	LOGO PER MANOPOLA LOGO POUR BOUTON LOGO FOR KNOBS LOGO FÜR KNEBEL	
29	770124770	ASS. MANOP. EL.TERM. 50-300°C STYLE ASS.BOUTON EL.TERM. 50-300C° KNOB ASS.EL.50-300°C STYLE KNEBEL EL.50-300°C STYLE	
30	290202430	MOLLA PER MANOPOLA RESSORT DE BOUTON KNOB SPRING KNEBELFEDER	
31	290204920	BORCHIA PER MANOPOLA BLU ANNEAU POUR BOUTON BLEU BLUE RING FOR GAS KNOB BLAUEN RING FUER KNEBEL	
32	A00717	ASS. PIAS.LIS. F-T 1/1 EL. STYLE SMOOTH ELECTRIC PLATE ASS. GLATTE ELEKTRO-PLATTE SATZ	
33	A00718	ASS. PIAS.RIG. F-T 1/1 EL. STYLE RIBBED ELECTRIC PLATE ASS. GERILLTE ELEKTRO-PLATTE SATZ	
34	A00719	ASS. PIAS.LIS.RIG.FT 1/1 EL.STYLE COMBI ELECTRIC PLATE ASS. KOMBI ELEKTRO-PLATTE SATZ	

35	A00720	ASS. PIAS.LIS.CR.F-T 1/1 EL.STYLE SMOOTH CROMED ELECTRIC PLATE ASS. GLATTE VERCHR. ELEKTRO-PLATTE SATZ	
36	270205480	GRIGLIA DI GHISA SCARICO FUMI PIANO GRILLE EN FONTE EVACUATION FUMES CAST IRON GRID F.FUMERISER GUSSEISEN ROST FUER ABGASE	



Pagina 2

1	290120510	ASS. PIEDE FLANG. DM.58 REG.95-160 ASS. PIED FLANG.REGABLE 9 DM.58 FLANGED FOOT ASS. DM.58 REG.9 GEFLANSCHTER FUSS DM.58 REG.9	
2	770346560	*ES*SUPP. CALAMITA DM.22 SUPP. AIMANT DM.22 UPPER MAGNET DM.22 OBEREN MAGNET DM.22	
3	4198808	CALAMITA 22X3 GAMBO M6X10 AIMANT 22X3 - M6X10 MAGNET 22X3 - M6X10 MAGNET 22X3 - M6X10	
4	770112490	ASS. CERNIERA SUPERIORE SX SUPP. CHARNIERE SUP. GAUCHE LEFT UPPER HINGE ASS. LINKE OBERE SCHARNIER	
5	741201310	BOCCOLA PER CERNIERA PORTINA BOUCLE POUR CHARN. PORTE BUSHING FOR DOOR HINGE BÜCHSE FÜR TÜR SCHARNIER	
6	770116510	ASS. CERNIERA INF. SX ARM. ASS. CHARN.INFER. GAUCHE ARMORE LEFT BOTTOM HINGE ASS.F.CUPBOARD LINKE UNTERE SCHARNIER F.SCHRANK	
7	770116520	ASS. CERNIERA INF. DX ARM. ASS. CHARN.INF. DROITE ARM. RIGHT BOTTOM HINGE ASS.F.CUPBOARD RECHTE UNTERE SCHARNIER F.SCHRANK	
8	770112450	ASS. CERNIERA SUPERIORE DX ASS.CHARNIERE SUPER.DROITE RIGHT UPPER HINGE ASS. RECHTE OBERE SCHARNIER	
9	A00518	ASS.PORTINA SX ARMADIO NEUTRO STYLE ASS. PORTE GAUCHE PLACARD NEUTRE LEFT DOOR ASS.F.NEUTRAL CABINET LINKE TÜR FÜR NEUTRALSCHRANK	
10	A00517	ASS.PORTINA DX ARMADIO NEUTRO STYLE ASS. PORTE DROITE PLACARD NEUTRE RIGHT DOOR ASS.F.NEUTRAL CABINET RECHTE TÜR FÜR NEUTRALSCHRANK	